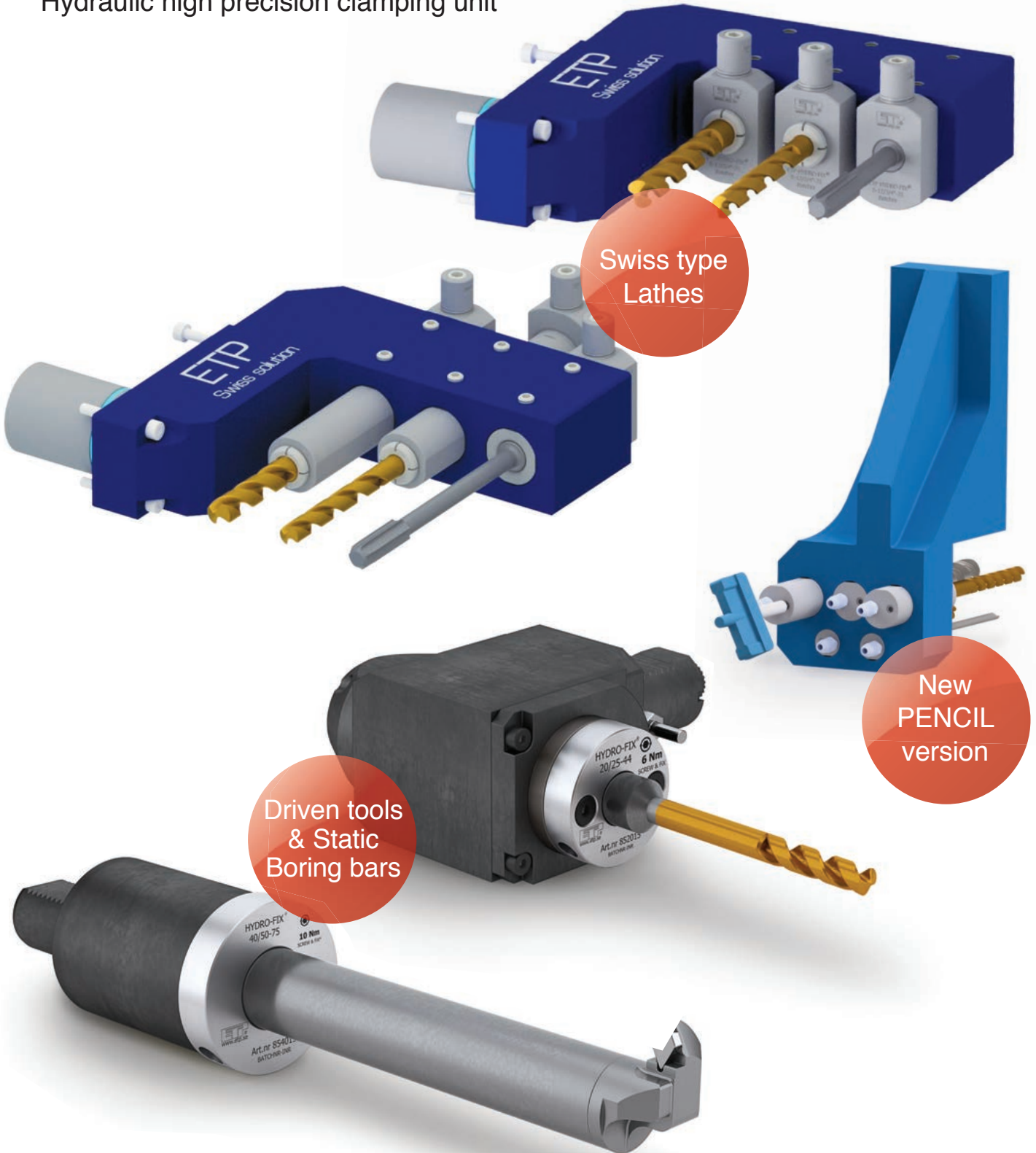




ETP HYDRO-FIX®

Hydraulic high precision clamping unit



Swiss type
Lathes

New
PENCIL
version

Driven tools
& Static
Boring bars



ETP HYDRO-FIX S[®]

Hydraulic high precision clamping unit

Increases your productivity!



ETP HYDRO-FIX S clamping units are excellent for static front and back operations such as drilling, reaming and boring. With the one screw fix system it is quick and easy to handle. Precision hydraulic tool centering is achieved and therefore the tool life and setup time is improved. The clamping unit allows for larger/deeper drilling, quick tool changes, absorbs/reduces vibration, improves surface quality and best of all: increases your productivity!

Static front & back working tools

BENEFITS & FEATURES

- Replaces ER11 – ER32 collet holders
- Use larger and longer tools
- Shank clamping range: 1 to 25 mm and 1/8" to 13/16" using reduction sleeves
- Quick and easy handling
- Reduced vibrations
- Improved surface quality
- Increased tool life

Designs

Cylindrical

Hydraulic clamping on the tool shank and expansion of the holder inside the machine block!



Flat

Hydraulic clamping on the tool shank!



Swiss machine turning – with ETP HYDRO-FIX S hydraulic high precision clamping unit



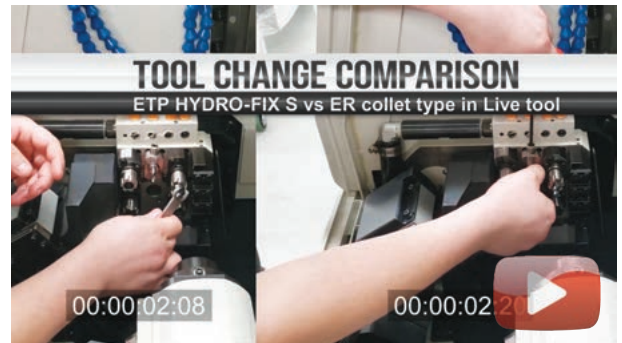
Front activation version in Drill arm application. Tool change in 30 seconds!



Back activation version in Drill arm application. Tool change in 30 seconds!

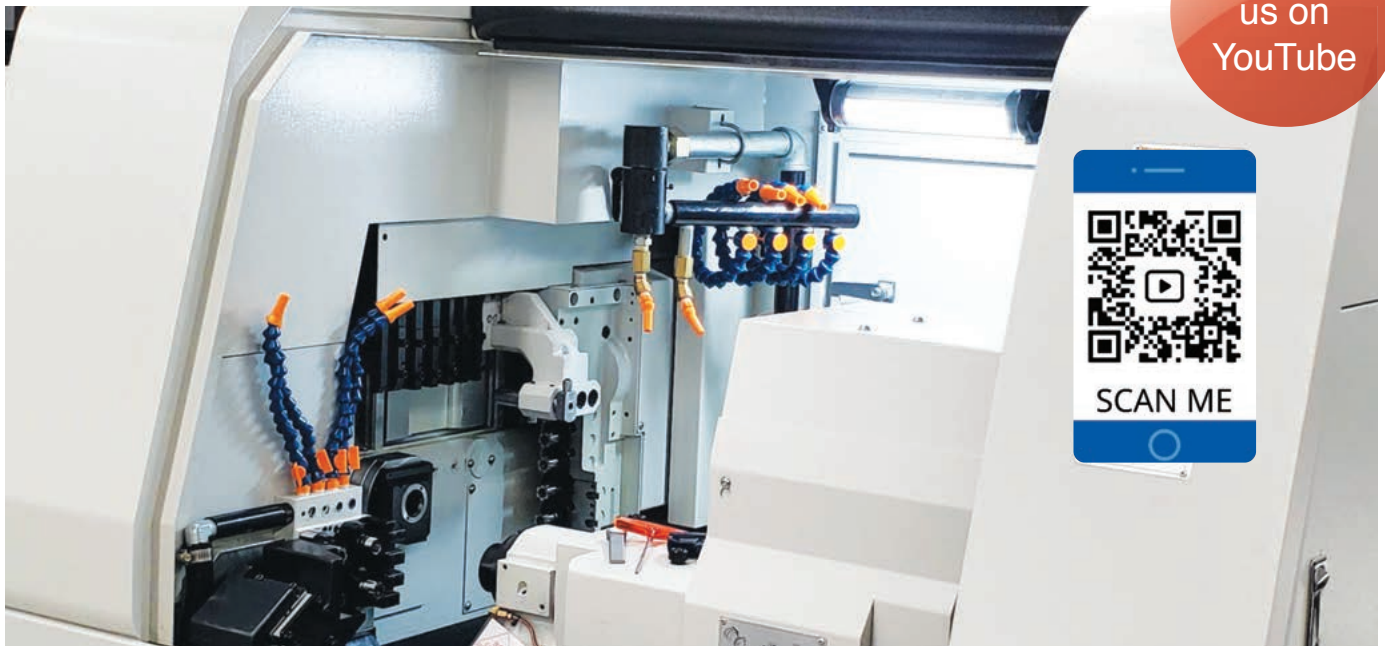


HYDRO-FIX S vs ER collet type tool holder in Drill arm application. Save valuable time in set-up and tool changes!



HYDRO-FIX S vs ER collet type tool holder in Live tool station for static drilling. Save valuable time in set-up and tool changes!

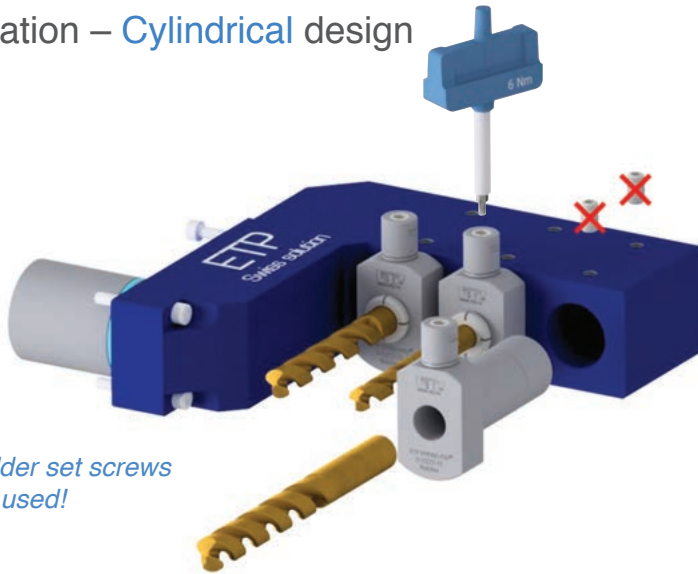
youtube.com/etptransmission



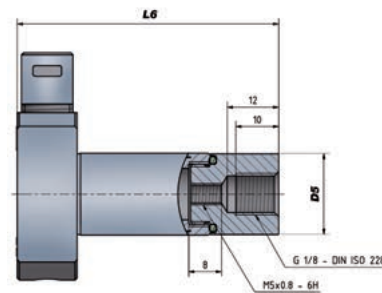
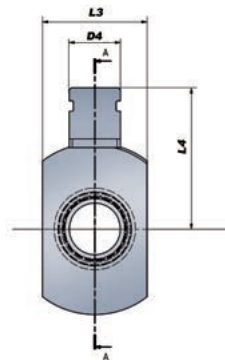
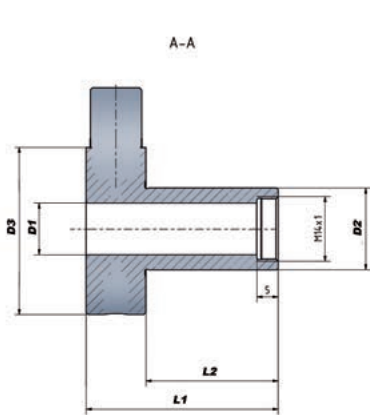
ETP HYDRO-FIX SFC®

Front activation – Cylindrical design

Perfect centering



Block/holder set screws are **NOT** used!



Back stop/Coolant port G 1/8" – to be ordered separately

Technical Specification

Part no.	Item description	Dimensions, mm								Dimensions with Back stop/Coolant port G 1/8"		
		D1*	D2**	D3	D4	L1	L2	L3	L4	L6	D5	Part no. - Back stop/Coolant port G 1/8" Includes adjustment screw M5x0.8-16***
● 664090	HYDRO-FIX SFC-12/3/4"-31	12	19.05	40	12	45	31	21.5	33	61	18.85	664000-10
● 664100	HYDRO-FIX SFC-12/20-31	12	20	40	12	45	31	22.5	33	61	18.85	664000-10
● 663740	HYDRO-FIX SFC-12/22-31	12	22	40	12	45	31	24.5	33	61	18.85	664000-10
● 664110	HYDRO-FIX SFC-12/25-31	12	25	40	12	45	31	27.5	33	61	18.85	664000-10
● 664120	HYDRO-FIX SFC-12/1"-31	12	25.4	40	12	45	31	27.5	33	61	18.85	664000-10
● 663750	HYDRO-FIX SFC-20/25-30*	20	25	44	12	44	30	27.5	35			
● 664130	HYDRO-FIX SFC-20/1"-30*	20	25.4	44	12	44	30	27.5	35			
● 664140	HYDRO-FIX SFC-25/1 1/4"-34*	25	31.75	50	12	48	34	34.5	38			
● 663760	HYDRO-FIX SFC-25/3/2-34*	25	32	50	12	48	34	34.5	38			



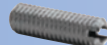
*) These sizes are **NOT** threaded with an M14x1 for a Back stop/coolant port. Pressure screw angled 15°.



- From stock
- On request

Information:

- *) Tool/toolbar shank h6 or h7 can be used.
- **) Recommended tolerance of toolholder bore - H7.
- ***) Adjustment screw M5x0.8-16 can also be ordered separately as spare part. Part no. S041



Accessories:

Use preset Torque Wrench to ensure correct mounting of tools. 6 Nm - Part no. 19055

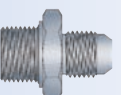
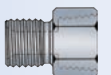


ETP HYDRO-FIX can be used with reduction sleeves. For additional information see section Accessories.



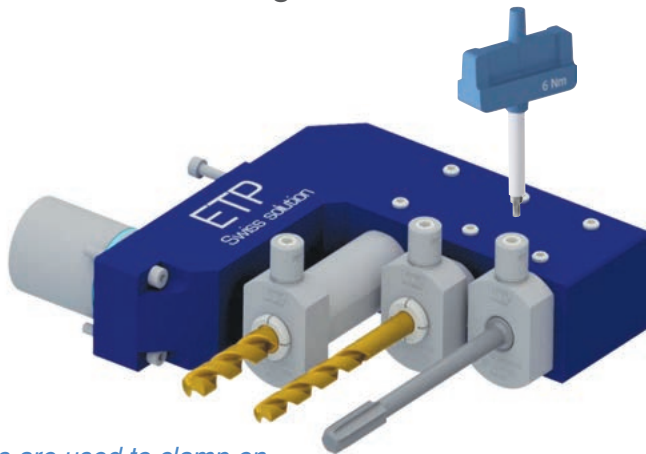
Adaptors:

- Male G 1/8" to Female 1/8" NPT Part no. 19151
- Male G 1/8" to Male 1/4" JIC Part no. 19150



ETP HYDRO-FIX SFF®

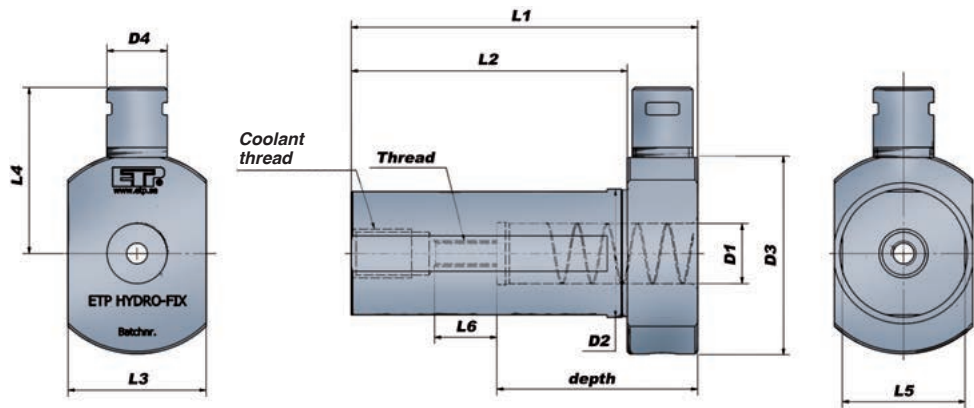
Front activation – Flat design



Easy length adjustability



Set screws are used to clamp on the milled flat, after adjusting the length of the assembly.



Technical Specification

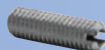
Part no.	Item description	Dimensions, mm													Thread	L6	Coolant thread DIN ISO 228
		D1	D2	D3	D4	L1	L2	depth	L3	L4	L5	L6					
706010	HYDRO-FIX SFF-12/3/4"-50	12	19.05	40	12	64	50	40	21.5	33	18.05	M5x0.8 - 6H	7	G 1/8			
706158	HYDRO-FIX SFF-12/3/4"-75	12	19.05	40	12	89	75	40	21.5	33	18.05	M5x0.8 - 6H	16	G 1/8			
706159	HYDRO-FIX SFF-12/20-75	12	20	40	12	89	75	40	22.5	33	19	M5x0.8 - 6H	16	G 1/8			
706012	HYDRO-FIX SFF-12/25-150	12	25	40	12	164	150	40	27.5	33	24	M5x0.8 - 6H	16	G 1/8			
706053	HYDRO-FIX SFF-12/1"-55	12	25.4	40	12	69	55	40	27.5	33	24.4	M5x0.8 - 6H	12	G 1/8			
706011	HYDRO-FIX SFF-12/1"-100	12	25.4	40	12	114	100	40	27.5	33	24.4	M5x0.8 - 6H	16	G 1/8			

- From stock
- On request

Information:

- *) Tool/toolbar shank h6 or h7 can be used.
- **) Recommended tolerance of toolholder bore - H7.

Adjustment screw M5x0.8-16 included in shipment. It can also be ordered separately as spare part. Part no. S041



Accessories:

Use preset Torque Wrench to ensure correct mounting of tools. 6 Nm - Part no. 19055

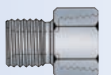


ETP HYDRO-FIX can be used with reduction sleeves. For additional information see section Accessories.

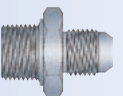


Adaptors:

Male G 1/8" to Female 1/8" NPT
Part no. 19151



Male G 1/8" to Male 1/4" JIC
Part no. 19150



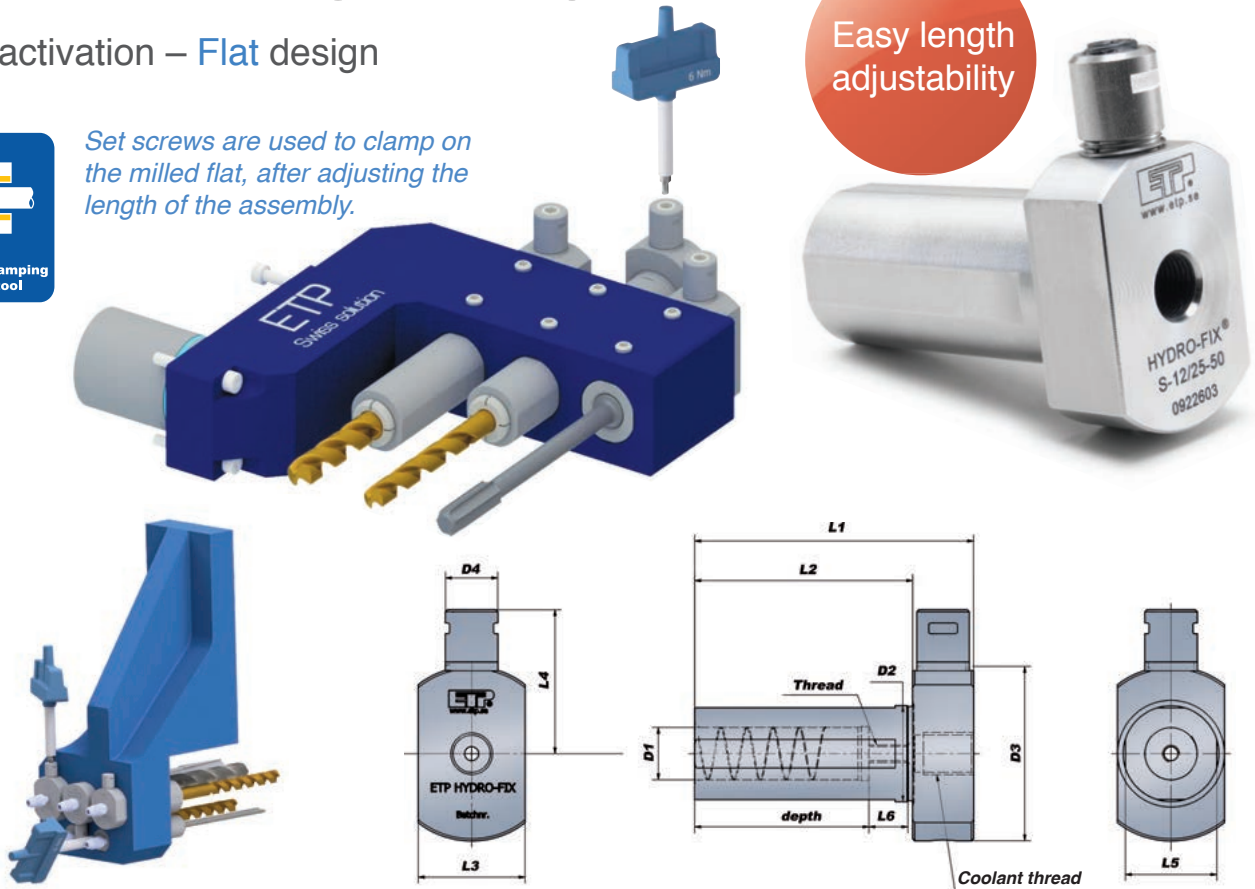
ETP HYDRO-FIX SBF®

Back activation – Flat design

Easy length adjustability



Set screws are used to clamp on the milled flat, after adjusting the length of the assembly.



Technical Specification

Dimensions, mm

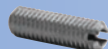
Part no.	Item description	D1	D2	D3	D4	L1	L2	depth	L3	L4	L5	Thread	L6	Coolant thread DIN ISO 228
● 664000	HYDRO-FIX SBF-12/3/4"-50	12	19.05	40	12	64	50	40	21.5	33	21	M5x0.8 - 6H	9	G 1/8
● 664010	HYDRO-FIX SBF-12/3/4"-75	12	19.05	40	12	89	75	40	21.5	33	21	M5x0.8 - 6H	10	G 1/8
● 664020	HYDRO-FIX SBF-12/3/4"-100	12	19.05	40	12	114	100	40	21.5	33	21	M5x0.8 - 6H	10	G 1/8
● 706337	HYDRO-FIX SBF-12/20-50	12	20	40	12	64	50	40	22.5	33	19	M5x0.8 - 6H	7	G 1/8
● 664030	HYDRO-FIX SBF-12/20-75	12	20	40	12	89	75	40	22.5	33	21	M5x0.8 - 6H	10	G 1/8
● 664040	HYDRO-FIX SBF-12/20-100	12	20	40	12	114	100	40	22.5	33	21	M5x0.8 - 6H	10	G 1/8
● 663700	HYDRO-FIX SBF-12/22-50	12	22	40	12	64	50	40	24.5	33	21	M5x0.8 - 6H	9	G 1/8
● 663770	HYDRO-FIX SBF-12/22-75	12	22	40	12	89	75	40	24.5	33	21	M5x0.8 - 6H	10	G 1/8
● 663720	HYDRO-FIX SBF-12/22-100	12	22	40	12	114	100	40	24.5	33	21	M5x0.8 - 6H	10	G 1/8
● 663780	HYDRO-FIX SBF-12/22-115	12	22	40	12	129	115	40	24.5	33	21	M5x0.8 - 6H	10	G 1/8
● 663710	HYDRO-FIX SBF-12/25-50	12	25	40	12	64	50	40	27.5	33	24	M5x0.8 - 6H	9	G 1/8
● 663790	HYDRO-FIX SBF-12/25-75	12	25	40	12	89	75	40	27.5	33	24	M5x0.8 - 6H	10	G 1/8
● 663730	HYDRO-FIX SBF-12/25-100	12	25	40	12	114	100	40	27.5	33	24	M5x0.8 - 6H	10	G 1/8
● 664050	HYDRO-FIX SBF-12/1"-50	12	25.4	40	12	64	50	40	27.5	33	24	M5x0.8 - 6H	9	G 1/8
● 664060	HYDRO-FIX SBF-12/1"-75	12	25.4	40	12	89	75	40	27.5	33	24	M5x0.8 - 6H	10	G 1/8
● 664070	HYDRO-FIX SBF-12/1"-100	12	25.4	40	12	114	100	40	27.5	33	24	M5x0.8 - 6H	10	G 1/8
● 664080	HYDRO-FIX SBF-20/32-50	20	32	40	12	64	50	52	34.5	33	30.8	M5x0.8 - 6H	9	-
○ 663810	HYDRO-FIX SBF-20/32-75	20	32	40	12	89	75	52	34.5	33	30.8	M5x0.8 - 6H	10	G 1/8
● 663820	HYDRO-FIX SBF-20/32-100	20	32	40	12	114	100	52	34.5	33	30.8	M5x0.8 - 6H	10	G 1/8

● From stock ○ On request

Information:

- *) Tool/toolbar shank h6 or h7 can be used.
- **) Recommended tolerance of toolholder bore - H7.

Adjustment screw included in shipment.
Can also be ordered separately as spare part.
M5x0.8-16 Part no. S041



Accessories:

Use preset Torque Wrench to ensure correct mounting of tools.
6 Nm - Part no. 19055



ETP HYDRO-FIX can be used with reduction sleeves.
For additional information see section Accessories.



Adaptors:

Male G 1/8" to Female 1/8" NPT
Part no. 19151



Male G 1/8" to Male 1/4" JIC
Part no. 19150

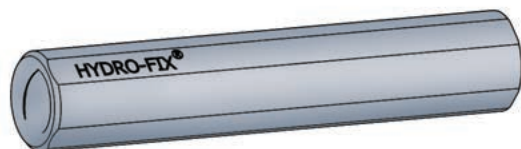
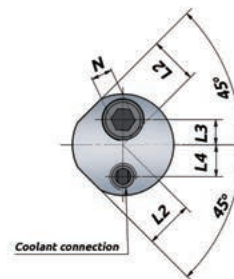
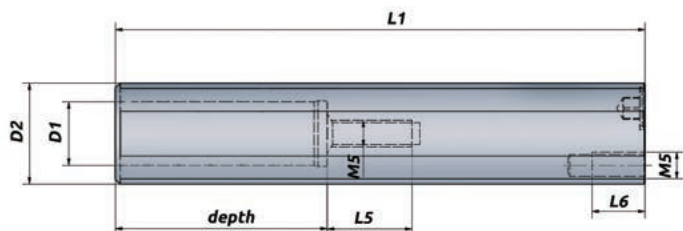


Male M5 to Male 1/4" JIC
Part no. 19153



ETP HYDRO-FIX SP[®]

PENCIL – Back activation – Flat design



Technical Specification

Part no.	Item description	Dimensions, mm									Center thread		Coolant connection	
		D1	D2	L1	L2	L3	L4	depth	N	size	L5	size	L6	
● 665010	HYDRO-FIX SP-12/3/4"-100	12	19.05	100	9	4.75	6	40	4	M5	16	M5	10	
● 665020	HYDRO-FIX SP-12/20-100	12	20	100	9.5	4.75	6	40	4	M5	16	M5	10	
● 665030	HYDRO-FIX SP-12/22-100	12	22	100	10.5	4.75	6	40	4	M5	16	M5	10	
● 665040	HYDRO-FIX SP-12/25-100	12	25	100	12	4.75	6	40	4	M5	16	M5	10	
● 665050	HYDRO-FIX SP-12/1"-100	12	25.4	100	12.2	4.75	6	40	4	M5	16	M5	10	
○ 665060	HYDRO-FIX SP-20/32-100	20	32	100	15.5	8.5	7	52	4	M8	25	M8	10	

● From stock
○ On request

Application area

Machine Mfg.	Machine type	665010	665020	665030	665040	665050
CITIZEN	C	●				●
	L20	●				
	L32					●
	M					●
	M16	●				
STAR	12 SERIES			●		
	20 SERIES			●		
NOMURA	NN-20 SERIES			●		
NEXTURN*	-	●			●	
TSUGAMI	20		●			
	B012		●			
	S20		●			
	32 SERIES				●	
HANWHA	SL 12H		●			
	20 SERIES				●	
TORNOS	DELTA 20			●		
	GAMMA 20		●	●		
	DECO (7/19/13/20)				●	

* depending machine type



Information:

*) Tool/toolbar shank h6 or h7 can be used.
**) Recommended tolerance of toolholder bore - H7.
Adjustment screw included in shipment.
Can also be ordered separately as spare part.
M5x0.8-16 Part no. S041



Accessories:

Use preset Torque Wrench to ensure correct mounting of tools.
6 Nm - Part no. 19055



ETP HYDRO-FIX can be used with reduction sleeves.
For additional information see section Accessories.



Adaptors:

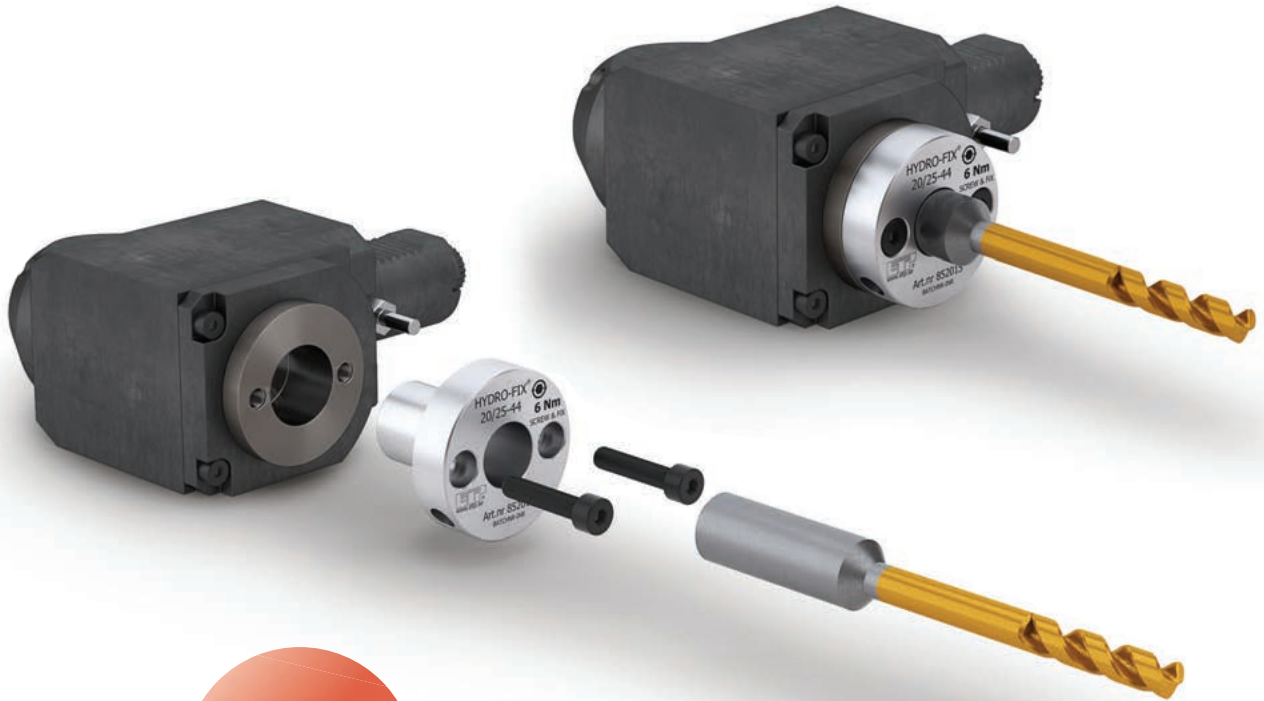
Male M8x1.25 to Male 1/4" JIC
Part no. 19152

Male M5 to Male 1/4" JIC
Part no. 19153



ETP HYDRO-FIX®

Hydraulic high precision clamping sleeve



New Generation



ETP HYDRO-FIX clamping sleeves are excellent for boring bars for internal and external turning as well as in driven toolholders. With the one screw fix system it is quick and easy to handle.

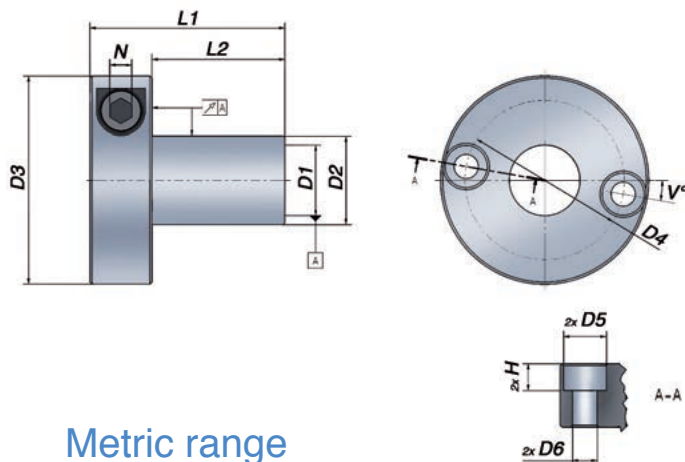
The clamping is uniform around the tool and therefore the tool life is improved. The clamping system absorbs and reduces vibration, improves surface quality and best of all increases your productivity!

BENEFITS & FEATURES

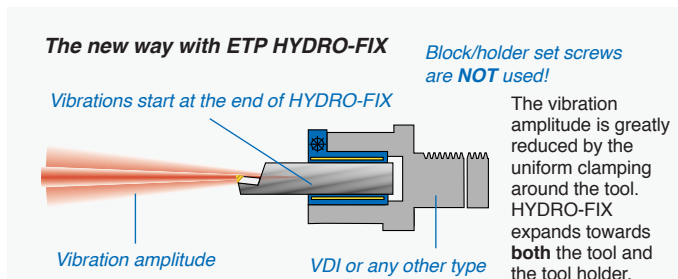
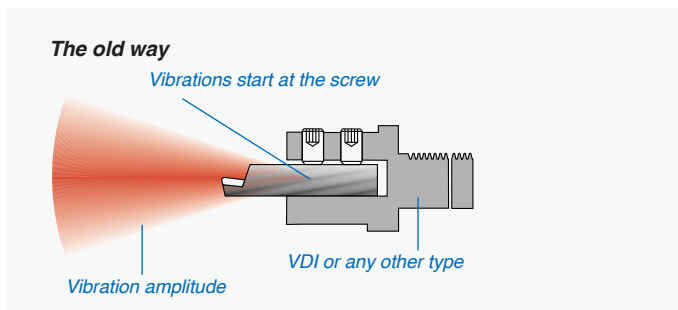
- Reduced vibrations
- Increased speed and/or feed
- Improved surface quality
- Increased tool life
- Quick and easy handling
- Increased overhang possible
- Safe clamping of solid carbide tools. No risk of damages

ETP HYDRO-FIX®

For Driven tools & Static Boring bars



Metric range



Technical Specification

Part no.	Item description	Dimensions, mm					Recommended screws DIN 915, 12.9					Pressure screw		Runout mm	T* Nm	Weight kg
		D1*	D2**	D3	L1	L2	D4	D5	D6	H	V°	N	Tt*** Nm			
● 851215	HYDRO-FIX 12/16-38	12	16	43.5	38	24	28	9.5	5.5	6	5	5	6	0.006	60	0.15
● 851615	HYDRO-FIX 16/20-44	16	20	47	44	30	36	9.5	5.5	6	10	5	6	0.006	165	0.17
● 852015	HYDRO-FIX 20/25-44	20	25	52	44	30	36	11	6.5	7		5	6	0.006	260	0.21
● 852515	HYDRO-FIX 25/32-48	25	32	59	48	34	44	11	6.5	7		5	6	0.010	350	0.30
● 853215	HYDRO-FIX 32/40-53	32	40	69.5	53	39	52	11	6.5	7		5	6	0.010	630	0.43
● 854015	HYDRO-FIX 40/50-69	40	50	79	69	55						5	6	0.015	320	0.96
○ 854215	HYDRO-FIX 42/50-76	42	50	89	76	56						8	10	0.015	800	0.94
○ 855015	HYDRO-FIX 50/60-80	50	60	98.5	80	60						8	10	0.015	800	1.23
○ 856015	HYDRO-FIX 60/80-90	60	80	115.5	90	70						8	10	0.015	800	2.34

Inch range

Technical Specification

Part no.	Item description	Dimensions, inch					Recommended screws DIN 915, 12.9					Pressure screw		Runout inch	T* ft·lb	Weight kg
		D1*	D2**	D3	L1	L2	D4	D5	D6	H	V°	N	Tt*** Nm			
● 851315	HYDRO-FIX 1/2"/5/8"-38	0.500	0.625	1.713	1.496	0.945	1.102	0.374	0.217	0.236	5	0.197	6	0.00024	44	0.15
● 851515	HYDRO-FIX 5/8"/3/4"-44	0.625	0.750	1.850	1.732	1.181	1.417	0.374	0.217	0.236	10	0.197	6	0.00024	121	0.17
● 851915	HYDRO-FIX 3/4"/1"-44	0.750	1.000	2.047	1.732	1.181	1.417	0.433	0.256	0.276		0.197	6	0.00039	191	0.21
● 852615	HYDRO-FIX 1"/1 1/4"-48	1.000	1.250	2.323	1.890	1.339	1.732	0.433	0.256	0.276		0.197	6	0.00039	258	0.30
● 853115	HYDRO-FIX 1 1/4"/1 1/2"-53	1.250	1.500	2.736	2.087	1.535	2.047	0.433	0.256	0.276		0.197	6	0.00039	465	0.43
● 853915	HYDRO-FIX 1 1/2"/2"-69	1.500	2.000	3.110	2.717	2.165						0.197	6	0.00059	118	1.06
● 855115	HYDRO-FIX 2"/2 1/2"-80	2.000	2.500	3.996	3.150	2.362						0.315	10	0.00059	590	1.42
● 856315	HYDRO-FIX 2 1/2"/3"-93	2.500	3.000	4.685	3.661	2.874						0.315	10	0.00059	885	1.98

***) T_t = Recommended tightening torque for the screw in Nm! Further tightening does not increase the pressure.

*) T = Transmittable torque using a h6 cylindrical tool, full depth (L1) insert.

For dimensions 12 mm (1/2") – 20 mm (3/4"):

When using a non-cylindrical tool/toolbar – we recommend the use of a reduction sleeve to avoid plastic deformation of ETP HYDRO-FIX.

- From stock
- On request

Information:

- *) Tool/toolbar shank h6 or h7 can be used.
- **) Recommended tolerance of toolholder bore - H7. Balanced by design. For use above 3 000 rpm - we recommend individual balancing.

Accessories:

- Use preset Torque Wrench to ensure correct mounting of tools.
- 6 Nm - Part no. 19050
- 10 Nm - Part no. 19054



Digital Spirit Level

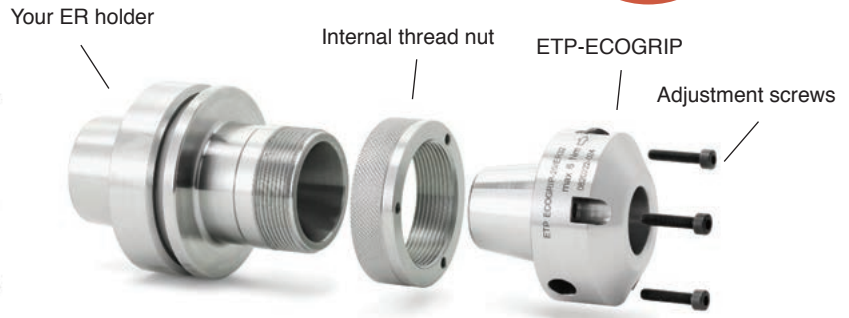
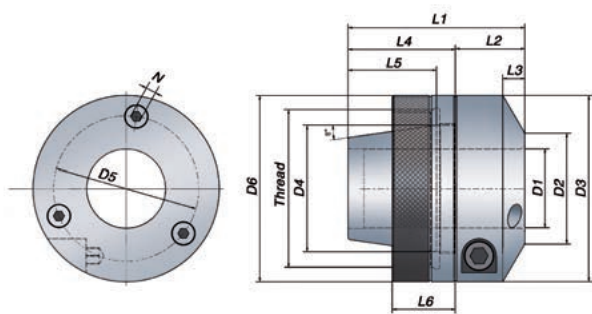
- For easy toolbar alignment use the ETP Digital Spirit Level * Part no. 885010



*) 3x CR2032 battery - not included.

ETP ECOGRIP™ ER

For outer threaded toolholders and driven tools



Metric range

Technical Specification																				
ER size	Part no.	Item description	Dimensions, mm										Adjustment screws				Internal thread nut			T* Nm
			D1	D2	D3	D4	L1	L2	L3	L4	L5	D5	No.	Dim.	N	D6	L6	Thread		
●	16	686845	ECOGRIP-6/ER16	6	16	34	16	30	14	5	16	14	28	2	M3x16*	2.5	34	10	M22x1.5	6-14
●		686846	ECOGRIP-6/ERM16	6	16	34	16	30	14	5	16	14	28	2	M3x16*	2.5	34	10	M19x1	6-14
●		704952	ECOGRIP-8/ER16	8	18	36	16	30	14	5	16	14	28	2	M3x16*	2.5	36	10	M22x1.5	14 - 35
●		705718	ECOGRIP-8/ERM16	8	18	36	16	30	14	5	16	14	28	2	M3x16*	2.5	34	10	M19x1	14 - 35
●	20	686855	ECOGRIP-12/ER20	12	22	43.5	20	40	24	7	16	14	34	3	M4x20	3	43.5	12	M25x1.5	50-90
●		686856	ECOGRIP-12/ERM20	12	22	43.5	20	40	24	7	16	14	34	3	M4x20	3	43.5	12	M24x1	50-90
●	25	686905	ECOGRIP-12/ER25	12	26	48	25	46	26	7	20	18	41	3	M4x20	3	48	13	M32x1.5	50-90
●		686906	ECOGRIP-12/ERM25	12	26	48	25	46	26	7	20	18	41	3	M4x20	3	48	13	M30x1	50-90
●		686875	ECOGRIP-16/ER25	16	26	48	25	46	26	7	20	18	41	3	M4x20	3	48	13	M32x1.5	120-200
●		686876	ECOGRIP-16/ERM25	16	26	48	25	46	26	7	20	18	41	3	M4x20	3	48	13	M30x1	120-200
●	32	686865	ECOGRIP-20/ER32	20	30	52	32	52	25.5	7	26.5	24.5	45	3	M4x20	3	52	15	M40x1.5	230-370
●	40	686885	ECOGRIP-25/ER40	25	35	59	40	56	22	7	34	28	46	3	M4x16	3	59	20	M50x1.5	420-600
○	50	686895	ECOGRIP-32/ER50**	32	42	69.5	50	60	22	7	38	32	56	3	M4x15	3	78	20	M64x2	660-1000

Inch range

Technical Specification																				
ER size	Part no.	Item description	Dimensions, inch										Adjustment screws				Internal thread nut			T* ft-lb
			D1	D2	D3	D4	L1	L2	L3	L4	L5	D5	No.	Dim.	N	D6	L6	Thread		
●	16	686945	ECOGRIP-1/4"/ER16	0.250	0.630	1.339	0.630	1.181	0.551	0.197	0.630	0.551	1.102	2	M3x16*	0.098	1.339	0.394	M22x1.5	4.4-10
●	20	686955	ECOGRIP-1/2"/ER20	0.500	0.866	1.713	0.787	1.575	0.945	0.276	0.630	0.551	1.339	3	M4x20	0.118	1.713	0.472	M25x1.5	37-66
●		686956	ECOGRIP-1/2"/ERM20	0.500	0.866	1.713	0.787	1.575	0.945	0.276	0.630	0.551	1.339	3	M4x20	0.118	1.713	0.472	M24x1	37-66
●	25	687005	ECOGRIP-1/2"/ER25	0.500	1.024	1.890	0.984	1.811	1.024	0.276	0.787	0.709	1.614	3	M4x20	0.118	1.890	0.512	M32x1.5	37-66
●		686975	ECOGRIP-5/8"/ER25	0.625	1.024	1.890	0.984	1.811	1.024	0.276	0.787	0.709	1.614	3	M4x20	0.118	1.890	0.512	M32x1.5	89-148
●	32	686965	ECOGRIP-3/4"/ER32	0.750	1.181	2.047	1.260	2.047	1.004	0.276	1.043	0.965	1.772	3	M4x20	0.118	2.047	0.591	M40x1.5	170-273
●	40	686985	ECOGRIP-1"/ER40	1.000	1.378	2.323	1.575	2.205	0.866	0.276	1.339	1.102	1.811	3	M4x16	0.118	2.323	0.787	M50x1.5	310-443
○	50	686995	ECOGRIP-1 1/4"/ER50**	1.250	1.654	2.736	1.969	2.362	0.866	0.276	1.496	1.260	2.205	3	M4x15	0.118	3.071	0.787	M64x2	487-738

*) This size ECOGRIP ER has 2x M3x16 adjustment screws located 180 degrees apart. It also has an additional 2x M5x8 adjustment screws, located 180 degrees apart, at the back of the thread nut.

***) The thread nut width L6 of this size ECOGRIP ER is 20 mm. The thread depth is however only 15 mm.

*) T = Min. and Max transmittable torque using a h6 cylindrical tool, full depth insert. For additional information see section Technical Information.

- From stock
- On request

Information:

- Runout accuracy - adjustable!
When mounted correctly, an initial runout of approx. 0.020 mm is achieved. Adjust runout further by lightly tightening on the adjustment screws until your desired runout is achieved.
- Tool shank h6 or h7 can be used
- Balanced by design. For use above 5 - 10 000 rpm – we recommend individual balancing.

Accessories:

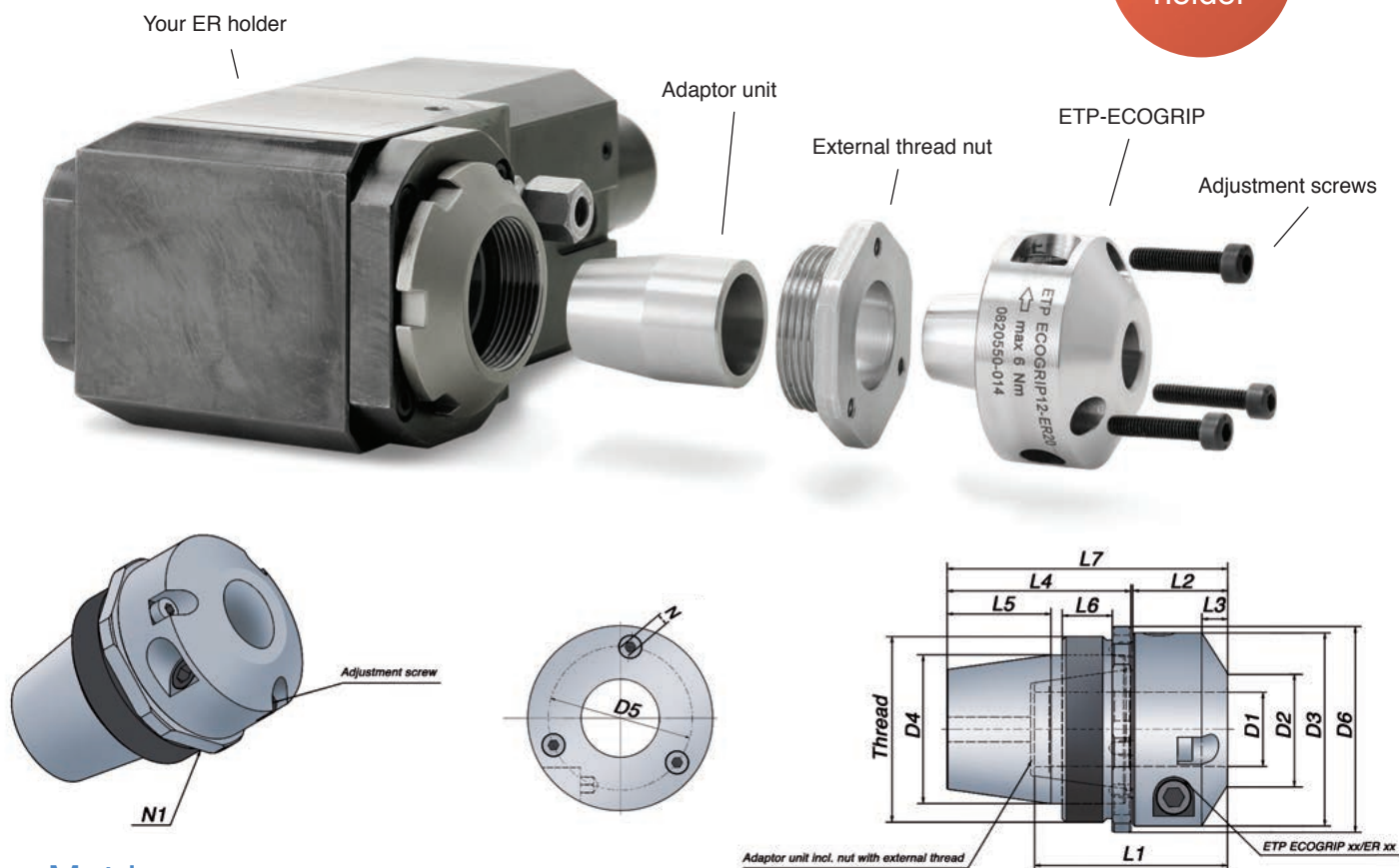
Use preset Torque Wrench, 6 Nm, to ensure correct mounting of tools. Part no. 19050. For ER16 Use Torque wrench Part no. 19055.

ETP ECOGRIP ER can be used with reducing sleeves. For additional information see section Accessories.



ETP ECOGRIP™ ER

For inner threaded driven tools



Metric range

Technical Specification																						
ER size	Part no.	Item description	Dimensions, mm										Adjustment screws				External thread nut					
			D1	D2	D3	D4	L1	L2	L3	L4	L5	L7	D5	No.	Dim.	N	D6	L6	Thread	N1	Tt Nm	T* Nm
25	687310	ECOGRIP-12/ER20-25	12	22	43.5	25	40	24	7	36	18	60.5	34	3	M4x16	3	43.5	10	M32x1.5	40	50	50-90
32	687320	ECOGRIP-12/ER25-32	12	26	48	32	46	26	7	44.5	24.5	71	41	3	M4x16	3	48	12	M40x1.5	44	104	50-90
	687330	ECOGRIP-16/ER25-32	16	26	48	32	46	26	7	44.5	24.5	71	41	3	M4x16	3	48	12	M40x1.5	44	104	120-200
40	687340	ECOGRIP-20/ER32-40	20	30	52	40	52	25.5	7	49.5	28	75.5	45	3	M4x16	3	56	13.5	M50x1.5	52	128	230-370

Inch range

Technical Specification																						
ER size	Part no.	Item description	Dimensions, inch										Adjustment screws				External thread nut					
			D1	D2	D3	D4	L1	L2	L3	L4	L5	L7	D5	No.	Dim.	N	D6	L6	Thread	N1	Tt Nm	T* ft-lb
25	687410	ECOGRIP-1/2"/ER20-25	0.500	0.866	1.713	0.984	1.575	0.945	0.276	1.417	0.709	2.382	1.339	3	M4x16	0.118	1.713	0.394	M32x1.5	1.575	50	37-66
32	687420	ECOGRIP-1/2"/ER25-32	0.500	1.024	1.890	1.260	1.811	1.024	0.276	1.752	0.965	2.795	1.614	3	M4x16	0.118	1.890	0.472	M40x1.5	1.732	104	37-66
	687430	ECOGRIP-5/8"/ER25-32	0.625	1.024	1.890	1.260	1.811	1.024	0.276	1.752	0.965	2.795	1.614	3	M4x16	0.118	1.890	0.472	M40x1.5	1.732	104	89-148
40	687440	ECOGRIP-3/4"/ER32-40	0.750	1.181	2.047	1.575	2.047	1.004	0.276	1.949	1.102	2.972	1.772	3	M4x16	0.118	2.205	0.531	M50x1.5	2.047	128	170-273

Tt: Recommended tightening torque in Nm for the External thread nut.

*) T = Min. and Max transmittable torque using a h6 cylindrical tool, full depth insert. For additional information see section Technical Information.

- From stock
- On request

Information:

- Runout accuracy - adjustable!
- When mounted correctly, an initial runout of approx. 0.020 mm is achieved.
- Adjust runout further by lightly tightening on the adjustment screws until your desired runout is achieved.
- Tool shank h6 or h7 can be used
- Balanced by design

Accessories:

Use preset Torque Wrench, 6 Nm, to ensure correct mounting of tools. Part no. 19050.

ETP ECOGRIP ER can be used with reducing sleeves. For additional information see section Accessories.



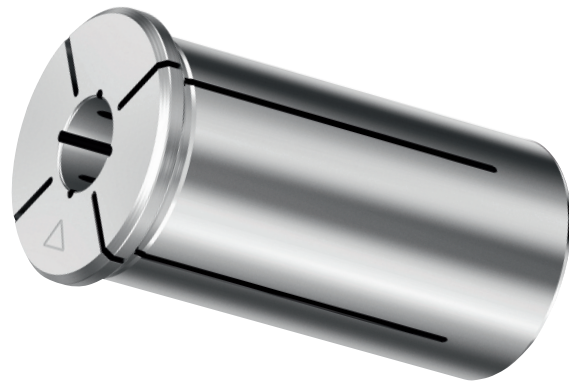
Reduction Sleeves for ETP Clamping units



Reduction sleeve HS - for internal cooling

The reduction sleeves are designed to fit with the ETP clamping units. They are specially suited for high precision clamping of cylindrical tool shanks per DIN 6335 form HA, HB and HE, as well as tool shanks per DIN 1835 form B, C, D and E.

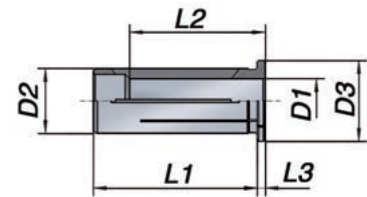
The special design of the reduction sleeves allows an efficient use of coolant through cutting tools.



Reduction sleeve HS-CF - for peripheral cooling.

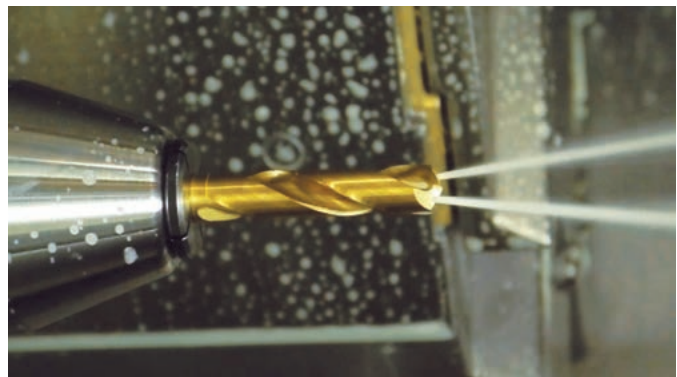
Outer-Ø of reduction sleeve corresponds to the type.

- HS12 = Ø 12 mm
- HS20 = Ø 20 mm
- HS25 = Ø 25 mm
- HS32 = Ø 32 mm

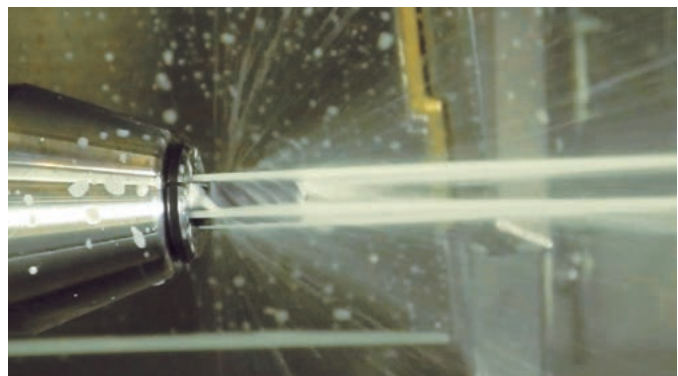


BENEFITS & FEATURES

- **Standard version HS suited for internal cooling**
Metal-to-metal seal for cutting tools with internal coolant channels.
- **HS-CF version suited for peripheral cooling**
The coolant flush reduction sleeves HS-CF can be used for peripheral cooling due to their coolant channels.
- **Accurate precision**
High runout accuracy < 3 µm.
- **High flexibility**
Clamping of different tool shank diameters. 12, 20, 25, 32 mm and 1/2", 3/4", 1", 1 1/4".
- **Power increase**
When using reduction sleeves the transmittable torque is increased.



Using Reduction sleeve HS - for internal cooling.



Using Reduction sleeve HS-CF - for peripheral cooling.

Reduction Sleeves Inch to inch

mm to inch

Reduction Sleeves inch to inch								
Part no.	Item description	D2 inch	D1 inch	D3 inch	L1 inch	L2 inch	L3 inch	Min. tool insert depth*
Reduction Sleeves HS 1/2"								
● R1913.03182	HS 1/2" / 1/8"	0.500	0.1250	0.630	1.575	1.142	0.157	26
● R1913.04762	HS 1/2" / 3/16"	0.500	0.1875	0.630	1.575	1.142	0.157	28
● R1913.06352	HS 1/2" / 1/4"	0.500	0.2500	0.630	1.575	1.417	0.157	34
● R1913.07942	HS 1/2" / 5/16"	0.500	0.3125	0.630	1.575	1.457	0.157	34
● R1913.09522	HS 1/2" / 3/8"	0.500	0.3750	0.630	1.575	1.575	0.157	37
Reduction Sleeves HS 1/2"-CF								
● R1913.03183	HS 1/2"-CF/1/8"	0.500	0.1250	0.630	1.575	1.142	0.157	26
● R1913.06353	HS 1/2"-CF / 1/4"	0.500	0.2500	0.630	1.575	1.417	0.157	26
● R1913.09523	HS 1/2"-CF / 3/8"	0.500	0.3750	0.630	1.575	1.575	0.157	37
Reduction Sleeves HS 3/4"								
● R1919.03182	HS 3/4" / 1/8"	0.750	0.1250	0.984	1.969	1.102	0.157	25
● R1919.04762	HS 3/4" / 3/16"	0.750	0.1875	0.984	1.969	1.102	0.157	25
● R1919.06352	HS 3/4" / 1/4"	0.750	0.2500	0.984	1.969	1.417	0.157	34
● R1919.07942	HS 3/4" / 5/16"	0.750	0.3125	0.984	1.969	1.457	0.157	35
● R1919.09522	HS 3/4" / 3/8"	0.750	0.3750	0.984	1.969	1.417	0.157	35
● R1919.11112	HS 3/4" / 7/16"	0.750	0.4375	0.984	1.969	1.575	0.157	37
● R1919.12702	HS 3/4" / 1/2"	0.750	0.5000	0.984	1.969	1.772	0.157	42
● R1919.14292	HS 3/4" / 9/16"	0.750	0.5625	0.984	1.969	1.772	0.157	42
● R1919.15882	HS 3/4" / 5/8"	0.750	0.6250	0.984	1.969	1.890	0.157	44
Reduction Sleeves HS 3/4"-CF								
● R1919.06353	HS 3/4"-CF / 1/4"	0.750	0.2500	0.984	1.969	1.417	0.157	34
● R1919.09523	HS 3/4"-CF / 3/8"	0.750	0.3750	0.984	1.969	1.417	0.157	35
● R1919.12703	HS 3/4"-CF / 1/2"	0.750	0.5000	0.984	1.969	1.772	0.157	42
● R1919.15883	HS 3/4"-CF / 5/8"	0.750	0.6250	0.984	1.969	1.890	0.157	44
Reduction Sleeves HS 1"								
● R1926.03182	HS 1" / 1/8"	1.000	0.1250	1.181	2.205	1.142	0.157	26
○ R1926.04762	HS 1" / 3/16"	1.000	0.1875	1.181	2.205	1.142	0.157	27
● R1926.06352	HS 1" / 1/4"	1.000	0.2500	1.181	2.205	1.457	0.157	34
● R1926.07942	HS 1" / 5/16"	1.000	0.3125	1.181	2.205	1.457	0.157	34
● R1926.09522	HS 1" / 3/8"	1.000	0.3750	1.181	2.205	1.496	0.157	35
● R1926.11112	HS 1" / 7/16"	1.000	0.4375	1.181	2.205	1.575	0.157	37
● R1926.12702	HS 1" / 1/2"	1.000	0.5000	1.181	2.205	1.811	0.157	41
● R1926.14292	HS 1" / 9/16"	1.000	0.5625	1.181	2.205	1.850	0.157	42
● R1926.15882	HS 1" / 5/8"	1.000	0.6250	1.181	2.205	1.890	0.157	43
● R1926.17462	HS 1" / 11/16"	1.000	0.6875	1.181	2.205	1.890	0.157	44
● R1926.19052	HS 1" / 3/4"	1.000	0.7500	1.181	2.205	1.890	0.157	44
Reduction Sleeves HS 1"-CF								
● R1926.06353	HS 1"-CF / 1/4"	1.000	0.2500	1.181	2.205	1.457	0.157	34
● R1926.09523	HS 1"-CF / 3/8"	1.000	0.3750	1.181	2.205	1.496	0.157	35
● R1926.12703	HS 1"-CF / 1/2"	1.000	0.5000	1.181	2.205	1.811	0.157	41
● R1926.15883	HS 1"-CF / 5/8"	1.000	0.6250	1.181	2.205	1.890	0.157	43
● R1926.19053	HS 1"-CF / 3/4"	1.000	0.7500	1.181	2.205	1.890	0.157	44
Reduction Sleeves HS 1 1/4"								
○ R1931.04762	HS 1 1/4" / 3/16"	1.250	0.1875	1.417	2.362	1.142	0.157	26
● R1931.06352	HS 1 1/4" / 1/4"	1.250	0.2500	1.417	2.362	1.417	0.157	34
● R1931.07942	HS 1 1/4" / 5/16"	1.250	0.3125	1.417	2.362	1.417	0.157	35
● R1931.09522	HS 1 1/4" / 3/8"	1.250	0.3750	1.417	2.362	1.457	0.157	35
○ R1931.11112	HS 1 1/4" / 7/16"	1.250	0.4375	1.417	2.362	1.772	0.157	36
● R1931.12702	HS 1 1/4" / 1/2"	1.250	0.5000	1.417	2.362	1.772	0.157	42
○ R1931.14292	HS 1 1/4" / 9/16"	1.250	0.5625	1.417	2.362	1.811	0.157	43
● R1931.15882	HS 1 1/4" / 5/8"	1.250	0.6250	1.417	2.362	1.811	0.157	44
● R1931.17462	HS 1 1/4" / 11/16"	1.250	0.6875	1.417	2.362	1.890	0.157	44
● R1931.19052	HS 1 1/4" / 3/4"	1.250	0.7500	1.417	2.362	1.969	0.157	44
● R1931.25402	HS 1 1/4" / 1"	1.250	1.000	1.417	2.362	2.205	0.157	52
Reduction Sleeves HS 1 1/4"-CF								
● R1931.12703	HS 1 1/4"-CF / 1/2"	1.250	0.5000	1.417	2.362	1.772	0.157	42
● R1931.15883	HS 1 1/4"-CF / 5/8"	1.250	0.6250	1.417	2.362	1.811	0.157	44
● R1931.19053	HS 1 1/4"-CF / 3/4"	1.250	0.7500	1.417	2.362	1.969	0.157	44
● R1931.25403	HS 1 1/4"-CF / 1"	1.250	1.000	1.417	2.362	2.205	0.157	52

Reduction Sleeves mm to inch								
Part no.	Item description	D2 mm	D1 inch	D3 mm	L1 mm	L2 mm	L3 mm	Min. tool insert depth*
Reduction Sleeves HS 12								
● R1912.03181	HS 12 / 1/8"	12	0.1250	16	40	29	4	25
● R1912.04761	HS 12 / 3/16"	12	0.1875	16	40	30	4	28
● R1912.06351	HS 12 / 1/4"	12	0.2500	16	40	36	4	34
● R1912.07941	HS 12 / 5/16"	12	0.3125	16	40	36	4	34
● R1912.09521	HS 12 / 3/8"	12	0.3750	16	40	37	4	37
Reduction Sleeves HS 20								
● R1920.03181	HS 20 / 1/8"	20	0.1250	25	50	28	4	22
● R1920.04761	HS 20 / 3/16"	20	0.1875	25	50	28	4	25
● R1920.06351	HS 20 / 1/4"	20	0.2500	25	50	36	4	34
● R1920.07941	HS 20 / 5/16"	20	0.3125	25	50	37	4	35
● R1920.09521	HS 20 / 3/8"	20	0.3750	25	50	36	4	35
● R1920.11111	HS 20 / 7/16"	20	0.4375	25	50	40	4	37
● R1920.12701	HS 20 / 1/2"	20	0.5000	25	50	45	4	42
● R1920.14291	HS 20 / 9/16"	20	0.5625	25	50	45	4	42
● R1920.15881	HS 20 / 5/8"	20	0.6250	25	50	48	4	44
Reduction Sleeves HS 25								
● R1925.03181	HS 25 / 1/8"	25	0.1250	30	56	29	4	24
○ R1925.04761	HS 25 / 3/16"	25	0.1875	30	56	29	4	27
● R1925.06351	HS 25 / 1/4"	25	0.2500	30	56	37	4	34
● R1925.07941	HS 25 / 5/16"	25	0.3125	30	56	37	4	34
● R1925.09521	HS 25 / 3/8"	25	0.3750	30	56	38	4	35
○ R1925.11111	HS 25 / 7/16"	25	0.4375	30	56	40	4	37
● R1925.12701	HS 25 / 1/2"	25	0.5000	30	56	46	4	41
○ R1925.14291	HS 25 / 9/16"	25	0.5625	30	56	47	4	42
● R1925.15881	HS 25 / 5/8"	25	0.6250	30	56	48	4	43
● R1925.17461	HS 25 / 11/16"	25	0.6875	30	56	48	4	43
● R1925.19051	HS 25 / 3/4"	25	0.7500	30	56	48	4	44
○ R1925.20631	HS 25 / 13/16"	25	0.8125	30	56	50	4	44
Reduction Sleeves HS 32								
○ R1932.04761	HS 32 / 3/16"	32	0.1875	36	60	29	4	26
● R1932.06351	HS 32 / 1/4"	32	0.2500	36	60	36	4	34
○ R1932.07941	HS 32 / 5/16"	32	0.3125	36	60	36	4	35
● R1932.09521	HS 32 / 3/8"	32	0.3750	36	60	37	4	35
○ R1932.11111	HS 32 / 7/16"	32	0.4375	36	60	45	4	36
● R1932.12701	HS 32 / 1/2"	32	0.5000	36	60	45	4	42
○ R1932.14291	HS 32 / 9/16"	32	0.5625	36	60	46	4	43
● R1932.15881	HS 32 / 5/8"	32	0.6250	36	60	46	4	44
● R1932.17461	HS 32 / 11/16"	32	0.6875	36	60	48	4	44
● R1932.19051	HS 32 / 3/4"	32	0.7500	36	60	50	4	44
○ R1932.20631	HS 32 / 13/16"	32	0.8125	36	60	50	4	45
● R1932.22221	HS 32 / 7/8"	32	0.8750	36	60	50	4	45
○ R1932.23811	HS 32 / 15/16"	32	0.9375	36	60	52	4	45
● R1932.25401	HS 32 / 1"	32	1.000	36	60	56	4	52

*) Minimum tool insertion depth (in mm) to ensure correct sealing effect for HS sleeves or correct periphery cooling for HS-CF sleeves.

● From stock
○ On request

Reduction Sleeves mm to mm

Reduction Sleeves mm to mm								
Part no.	Item description	D2 mm	D1 mm	D3 mm	L1 mm	L2 mm	L3 mm	Min. tool insert depth*
Reduction Sleeves HS 6								
○ R1906.01000	HS 6 / 1 mm	6	1	9	27	20	3	15.5
○ R1906.02000	HS 6 / 2 mm	6	2	9	27	24	3	21
○ R1906.03000	HS 6 / 3 mm	6	3	9	27	30	3	26
○ R1906.04000	HS 6 / 4 mm	6	4	9	27	30	3	26
Reduction Sleeves HS 8								
○ R1908.06000	HS 8 / 6 mm	8	6	11	27	30	3	26
Reduction Sleeves HS 12-MB (Micro Bore) MB can not seal for coolant through tools.								
○ R1912.01009	HS 12-MB / 1 mm	12	1.000	16	40	20	4	44
○ R1912.01509	HS 12-MB / 1,5 mm	12	1.500	16	40	20	4	44
○ R1912.02009	HS 12-MB / 2 mm	12	2.000	16	40	20	4	44
○ R1912.02509	HS 12-MB / 2,5 mm	12	2.500	16	40	20	4	44
Reduction Sleeves HS 12								
● R1912.03000	HS 12 / 3 mm	12	3.000	16	40	29	4	25
● R1912.04000	HS 12 / 4 mm	12	4.000	16	40	29	4	27
● R1912.05000	HS 12 / 5 mm	12	5.000	16	40	30	4	28
● R1912.06000	HS 12 / 6 mm	12	6.000	16	40	36	4	34
● R1912.07000	HS 12 / 7 mm	12	7.000	16	40	37	4	34
● R1912.08000	HS 12 / 8 mm	12	8.000	16	40	37	4	34
● R1912.09000	HS 12 / 9 mm	12	9.000	16	40	37	4	34
● R1912.10000	HS 12 / 10 mm	12	10.000	16	40	40	4	37
Reduction Sleeves HS 12-CF								
● R1912.03002	HS 12-CF / 3 mm	12	3.000	16	40	29	4	25
● R1912.04002	HS 12-CF / 4 mm	12	4.000	16	40	29	4	27
● R1912.05002	HS 12-CF / 5 mm	12	5.000	16	40	30	4	28
● R1912.06002	HS 12-CF / 6 mm	12	6.000	16	40	36	4	34
● R1912.08002	HS 12-CF / 8 mm	12	8.000	16	40	37	4	34
Reduction Sleeves HS 20								
● R1920.03000	HS 20 / 3 mm	20	3.000	25	50	28	4	25
● R1920.04000	HS 20 / 4 mm	20	4.000	25	50	28	4	25
● R1920.05000	HS 20 / 5 mm	20	5.000	25	50	28	4	25
● R1920.06000	HS 20 / 6 mm	20	6.000	25	50	36	4	34
● R1920.07000	HS 20 / 7 mm	20	7.000	25	50	38	4	34
● R1920.08000	HS 20 / 8 mm	20	8.000	25	50	37	4	35
● R1920.09000	HS 20 / 9 mm	20	9.000	25	50	38	4	35
● R1920.10000	HS 20 / 10 mm	20	10.000	25	50	40	4	37
● R1920.11000	HS 20 / 11 mm	20	11.000	25	50	40	4	37
● R1920.12000	HS 20 / 12 mm	20	12.000	25	50	45	4	42
● R1920.13000	HS 20 / 13 mm	20	13.000	25	50	45	4	42
● R1920.14000	HS 20 / 14 mm	20	14.000	25	50	45	4	42
● R1920.15000	HS 20 / 15 mm	20	15.000	25	50	45	4	42
● R1920.16000	HS 20 / 16 mm	20	16.000	25	50	48	4	44
● R1920.18000	HS 20 / 18 mm	20	18.000	25	50	48	4	46

Reduction Sleeves mm to mm								
Part no.	Item description	D2 mm	D1 mm	D3 mm	L1 mm	L2 mm	L3 mm	Min. tool insert depth*
Reduction Sleeves HS 20-CF								
● R1920.03002	HS 20-CF / 3 mm	20	3.000	25	50	28	4	25
● R1920.04002	HS 20-CF / 4 mm	20	4.000	25	50	28	4	25
● R1920.05002	HS 20-CF / 5 mm	20	5.000	25	50	28	4	25
● R1920.06002	HS 20-CF / 6 mm	20	6.000	25	50	36	4	34
● R1920.08002	HS 20-CF / 8 mm	20	8.000	25	50	37	4	35
● R1920.10002	HS 20-CF / 10 mm	20	10.000	25	50	40	4	37
● R1920.12002	HS 20-CF / 12 mm	20	12.000	25	50	45	4	42
● R1920.14002	HS 20-CF / 14 mm	20	14.000	25	50	45	4	42
● R1920.16002	HS 20-CF / 16 mm	20	16.000	25	50	48	4	44
Reduction Sleeves HS 25								
● R1925.03000	HS 25 / 3 mm	25	3.000	30	56	29	4	24
● R1925.04000	HS 25 / 4 mm	25	4.000	30	56	29	4	25
● R1925.05000	HS 25 / 5 mm	25	5.000	30	56	29	4	27
● R1925.06000	HS 25 / 6 mm	25	6.000	30	56	37	4	34
● R1925.07000	HS 25 / 7 mm	25	7.000	30	56	37	4	34
● R1925.08000	HS 25 / 8 mm	25	8.000	30	56	37	4	34
● R1925.09000	HS 25 / 9 mm	25	9.000	30	56	38	4	35
● R1925.10000	HS 25 / 10 mm	25	10.000	30	56	40	4	37
● R1925.12000	HS 25 / 12 mm	25	12.000	30	56	46	4	41
● R1925.14000	HS 25 / 14 mm	25	14.000	30	56	47	4	42
● R1925.16000	HS 25 / 16 mm	25	16.000	30	56	48	4	43
● R1925.18000	HS 25 / 18 mm	25	18.000	30	56	48	4	44
● R1925.20000	HS 25 / 20 mm	25	20.000	30	56	50	4	44
Reduction Sleeves HS 32								
○ R1932.03000	HS 32 / 3 mm	32	3.000	36	60	29	4	25
○ R1932.04000	HS 32 / 4 mm	32	4.000	36	60	29	4	26
○ R1932.05000	HS 32 / 5 mm	32	5.000	36	60	29	4	26
● R1932.06000	HS 32 / 6 mm	32	6.000	36	60	36	4	34
● R1932.07000	HS 32 / 7 mm	32	7.000	36	60	37	4	34
● R1932.08000	HS 32 / 8 mm	32	8.000	36	60	36	4	35
● R1932.09000	HS 32 / 9 mm	32	9.000	36	60	37	4	35
● R1932.10000	HS 32 / 10 mm	32	10.000	36	60	40	4	36
○ R1932.11000	HS 32 / 11 mm	32	11.000	36	60	40	4	36
● R1932.12000	HS 32 / 12 mm	32	12.000	36	60	45	4	41
● R1932.13000	HS 32 / 13 mm	32	13.000	36	60	45	4	41
● R1932.14000	HS 32 / 14 mm	32	14.000	36	60	46	4	43
○ R1932.15000	HS 32 / 15 mm	32	15.000	36	60	46	4	43
● R1932.16000	HS 32 / 16 mm	32	16.000	36	60	48	4	44
○ R1932.17000	HS 32 / 17 mm	32	17.000	36	60	48	4	44
● R1932.18000	HS 32 / 18 mm	32	18.000	36	60	49	4	44
○ R1932.19000	HS 32 / 19 mm	32	19.000	36	60	49	4	44
● R1932.20000	HS 32 / 20 mm	32	20.000	36	60	50	4	45
● R1932.22000	HS 32 / 22 mm	32	22.000	36	60	50	4	45
● R1932.25000	HS 32 / 25 mm	32	25.000	36	60	56	4	52
Reduction Sleeves HS 32-CF								
○ R1932.06002	HS 32-CF / 6 mm	32	6.000	36	60	36	4	34
○ R1932.08002	HS 32-CF / 8 mm	32	8.000	36	60	36	4	35
○ R1932.10002	HS 32-CF / 10 mm	32	10.000	36	60	40	4	36
○ R1932.12002	HS 32-CF / 12 mm	32	12.000	36	60	45	4	41
○ R1932.14002	HS 32-CF / 14 mm	32	14.000	36	60	46	4	43
○ R1932.16002	HS 32-CF / 16 mm	32	16.000	36	60	48	4	44
○ R1932.18002	HS 32-CF / 18 mm	32	18.000	36	60	49	4	44
○ R1932.20002	HS 32-CF / 20 mm	32	20.000	36	60	50	4	45
○ R1932.25002	HS 32-CF / 25 mm	32	25.000	36	60	56	4	52

*) Minimum tool insertion depth (in mm) to ensure correct sealing effect for HS sleeves or correct periphery cooling for HS-CF sleeves.

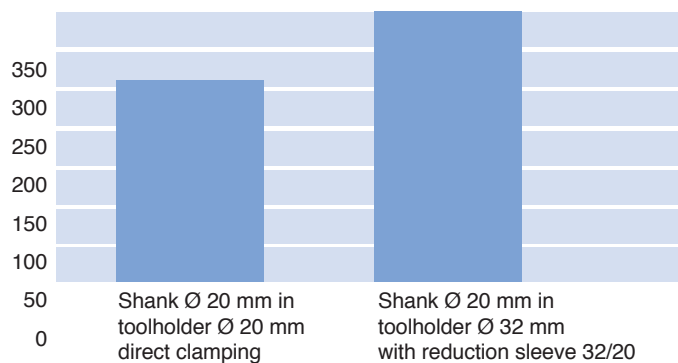
- From stock
- On request

Accessories

Torque wrench and Extractor



Comparison of Transmittable Torque at Ø 20 mm



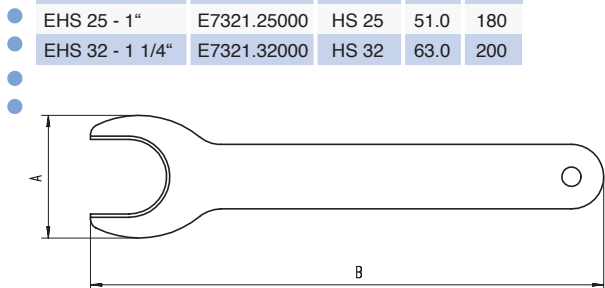
Torque wrench

Use torque wrench to ensure correct tightening independent on user. Should be used with all HYDRO-FIX® holders.

Item description	Tightening torque:		Part no.
	Nm	ft · lb	
• Torque wrench (4 mm Hex)	6	4.4	19055
• Torque wrench (5 mm Hex)	6	4.4	19050
• Torque wrench (8 mm Hex)	10	7.4	19054

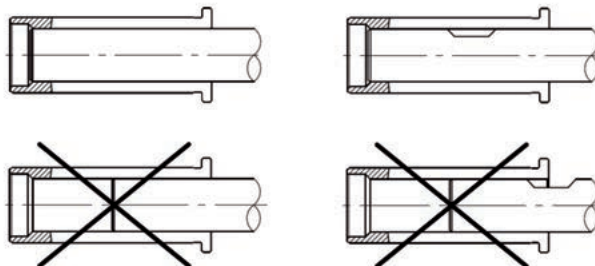
Extractor

Item description	Part no.	For Sizes	A	B
			[mm]	[mm]
EHS 12 - 1/2"	E7321.12000	HS 12	24.6	100
EHS 20 - 3/4"	E7321.20000	HS 20	38.0	160
EHS 25 - 1"	E7321.25000	HS 25	51.0	180
EHS 32 - 1 1/4"	E7321.32000	HS 32	63.0	200



The extractor helps to remove the reduction sleeve from the clamping unit.

- Improper assembly can damage the concentricity of the reduction sleeve.
- Insert tools the full length of the reduction sleeve.
- Tool shank h6 or h7 can be used.
- Do not clamp reduction sleeve without a tool. Reduction Sleeve will be damaged.





More Hydraulic high precision toolholders - see our main catalogue



Examples: Holders for rotary transfer machines

ETP HYDRO-GRIP®
HSK Form C - DIN 69893

ETP HYDRO-GRIP®
HSK Form C - For HYDROMAT®



TOOLING & MACHINERY
COMPLETE METALWORKING SOLUTIONS
(800) 991-4225 www.ahbinc.com
ISO Certified customerservice@ahbinc.com



ETP Transmission Inc.
1169 Tower Rd, Schaumburg, IL 60173. US