



heimatec  
Phone: 917 781 8333  
www.ahbinc.com

heimatec  
Phone: 917 781 8333  
www.ahbinc.com

heimatec  
Phone: 917 781 8333  
www.ahbinc.com

heimatec  
Phone: 917 781 8333  
www.ahbinc.com

heimatec  
Phone: 917 781 8333  
www.ahbinc.com

**AHB**  
TOOLING & MACHINERY

COMPLETE  
METALWORKING  
SOLUTIONS

(800) 991-4225  
www.ahbinc.com  
ISO Certified  
customerservice@ahbinc.com

**heimatec**<sup>®</sup>  
Precision Tools





- 1987** Heimatec Automations was founded
- 1988** Started designing, assembling, and marketing Live Tools
- 1997** Started “in house” manufacturing of components
- 2001** Invested in 12 “state of the art” 3D-Workstations for the design department  
Founded heimatec GmbH Präzisionswerkzeuge (Precision Tools)
- 2003** Opened 1st international sales office in Moscow  
Purchased Multi-Spindle manufacturing company to supply large Transfer Lines and System Builders with special purpose tools
- 2006** Set up new research and development department
- 2007** Purchased several new CNC Lathes and Machining Centers to increase production
- 2008** Moved into new facility and expanded manufacturing capacity  
Optimized packing and shipping department
- 2010** Opened U.S. headquarters, Heimatec Inc., in the Chicagoland area
- 2012** Opened sales office in Singapore
- 2014** Founded heimatec Ltd., a subsidiary in Taichung, Taiwan
- 2015** Founded heimatec India, a subsidiary in Pune-Muharashtra, India



2-3	About Heimatec	14-15	Angle Heads
4-9	Live Tools	16-17	Multiple Spindle
10-11	U-tec Changing System	18-19	Static Tools
12-13	HT Quick Change	20	Numbering System

We set the standard for the highest precision and most advanced technology in the machine tool accessory market



Constant innovation and attention to detail along with our unparalleled design capabilities allow Heimatec users to enjoy the benefits of the most productive live tools, angle heads, and multiple spindle tools available.

Exceptional customer service and expert technical support are always available.

Extensive inventory in Prospect Heights, IL with additional products shipping from factory stock in Renchen, Germany.

We manufacture tools for the most popular machines including:

- DMG Mori Seiki
- Doosan
- Emag
- Emco
- Eurotech
- Feeler
- Haas
- Hardinge
- Hurco
- Hwacheon
- Hyundai
- Mazak
- Miyano
- Murata
- Nakamura
- Okuma
- Samsung
- Spinner
- Takisawa
- Victor Fortune
- Yama Seiki

## Specials

Let us help with custom and special tooling for your most challenging applications:





# Precision Live Tools from Heimatec





# Maximum Productivity & Performance

## **The Widest Range of Live Tools Available in the industry.**

With over 40,000 designs in our data base, our engineers have developed and refined solutions for the most demanding and unique applications. Our patented u-tec changing system and combination heavy duty bearings are used throughout our product lines.



*45 degree adjustable gear hobbing tool*



Standard Axial (Straight) Tool



Standard Radial (90°) Tool

Heimatec offers the widest range, highest performance and most durable Live Tools

Higher productivity and long tool life is based on a simple premise. We engineer and manufacture high performance durable Live Tools with greater spindle rigidity for incredible power and precision.





Axial Offset Style Tool



Universal Adjustable Angle Tool  
(High Torque)

- Rugged and Compact Design
- The Highest Torque Output
- The Highest Performance, Most Durable Live Tools
- Greater Spindle Rigidity
- Incredible Power and Precision
- Tools for any Application

## Speed Increaseers:

Ratios up to 1:4 with 24,000 rpm capabilities. Gear reducer/torque increaseers also available.



## Gear Systems:

Bevel gears with spiral teeth made from special high resistance gear steel, specially hardened, ground and lapped in sets provide optimum contact, which allows a smooth transmission output and minimal backlash.



## Drive Systems:

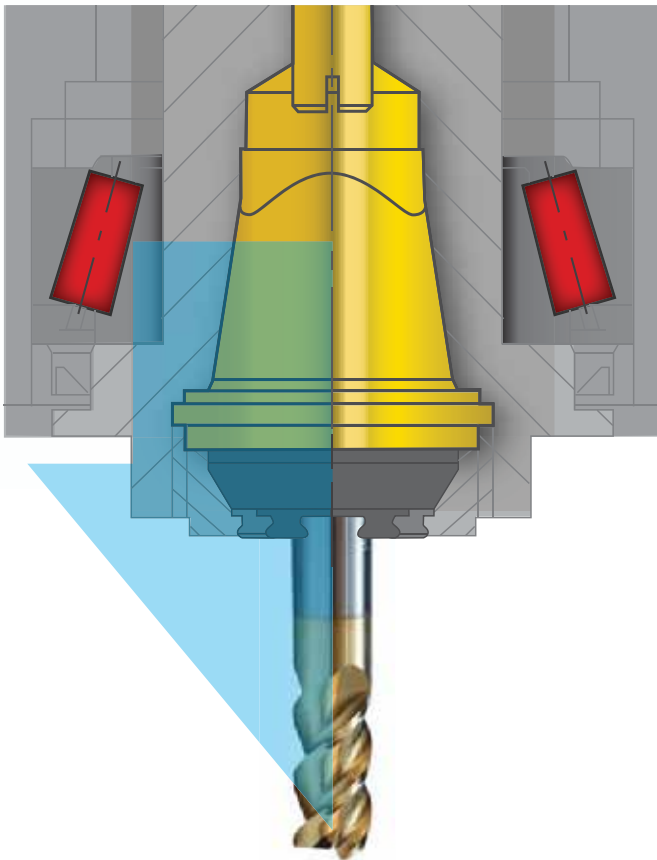
- Spline
- Bevel Gear
- Special Couplings
- TOEM
- Tang...and more



## Multi-Spindle Tools

Standard and custom configurations available with and without external coolant capabilities.





## Bearing Systems

Heimatec's combination bearing technology offers maximum performance, stability and rigidity.

All bearing seats are precision manufactured for greater output and alignment accuracy. Bearings are standard high precision spindle bearings, ABEC 7(P4), with optional Timken bearings with ABEC 5(P5), custom bearing systems to assure the highest possible spindle concentricity.

## Output Systems

- ER Collet
- Weldon
- Arbors
- Sandvik-Coromant-Capto
- Komet ABS system
- HSK
- CAT/SK/BT
- easy-quick HT



## Coolant-thru

High pressure internal coolant capabilities up to 2000 psi

# u-tec



## u-tec flexible changing system

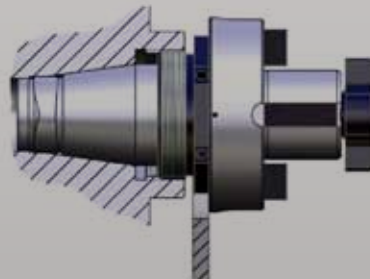
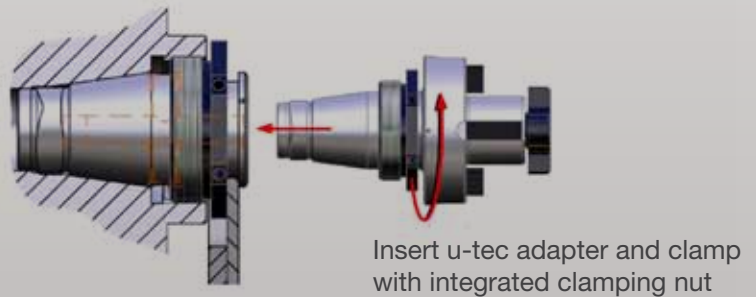
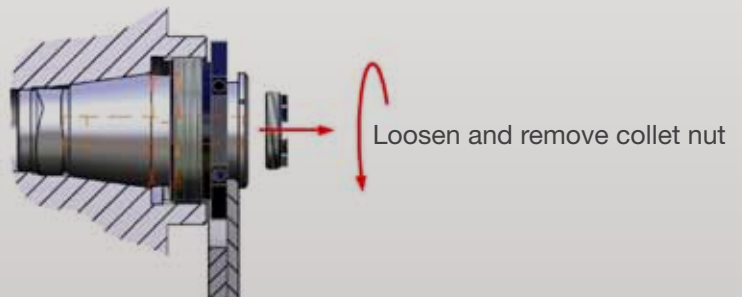
ER collet output and adapter system all built into the same tool.



## Functional features of our u-tec ER collet output

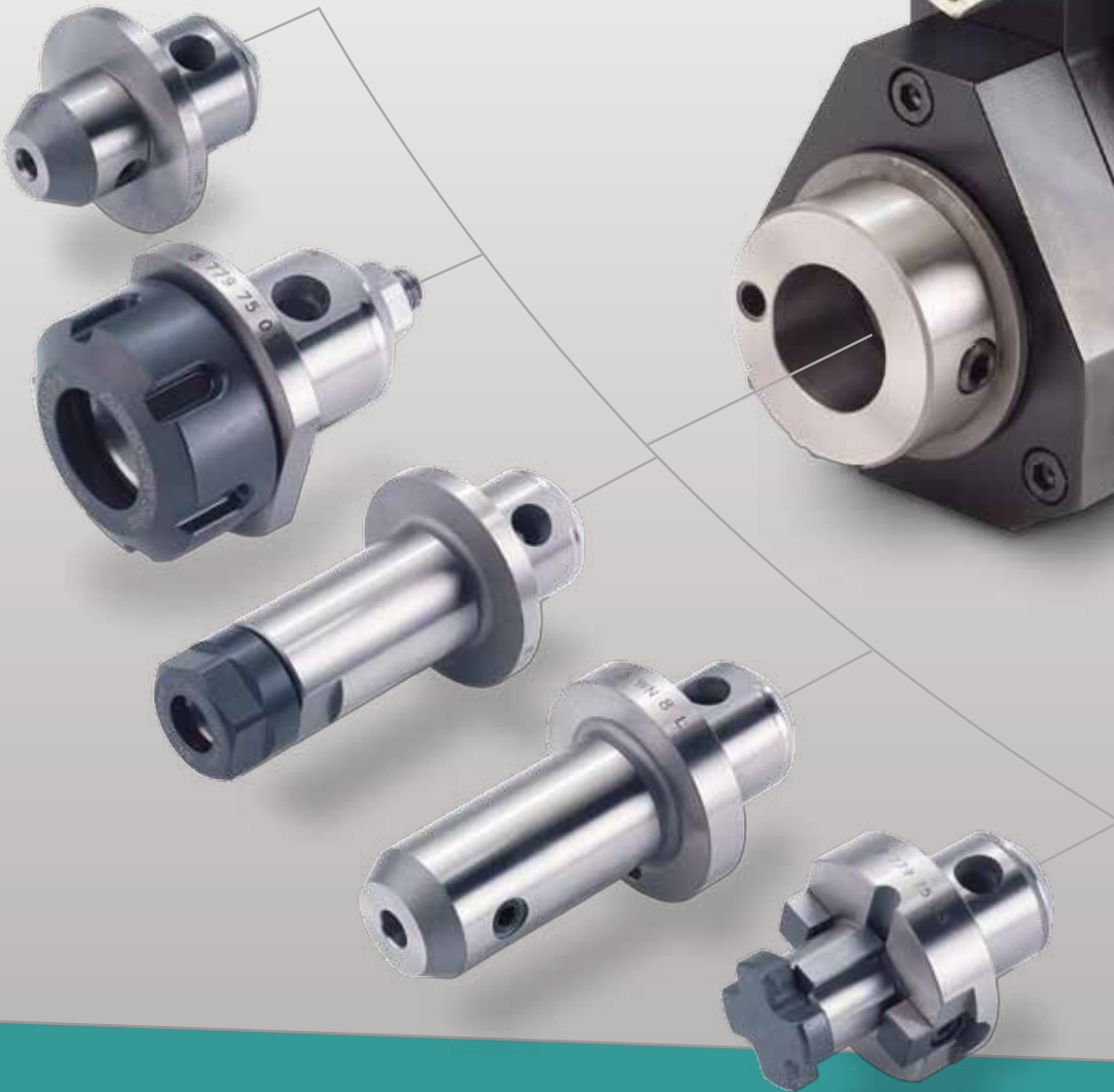


- Polygon drive system for high power transmission
- Outputs available:  
ER extentions  
Shell mill arbors  
Weldon + blanks



- The ultimate flexible machining system
- Minimum investment for maximum capabilities

# HT Quick Change System

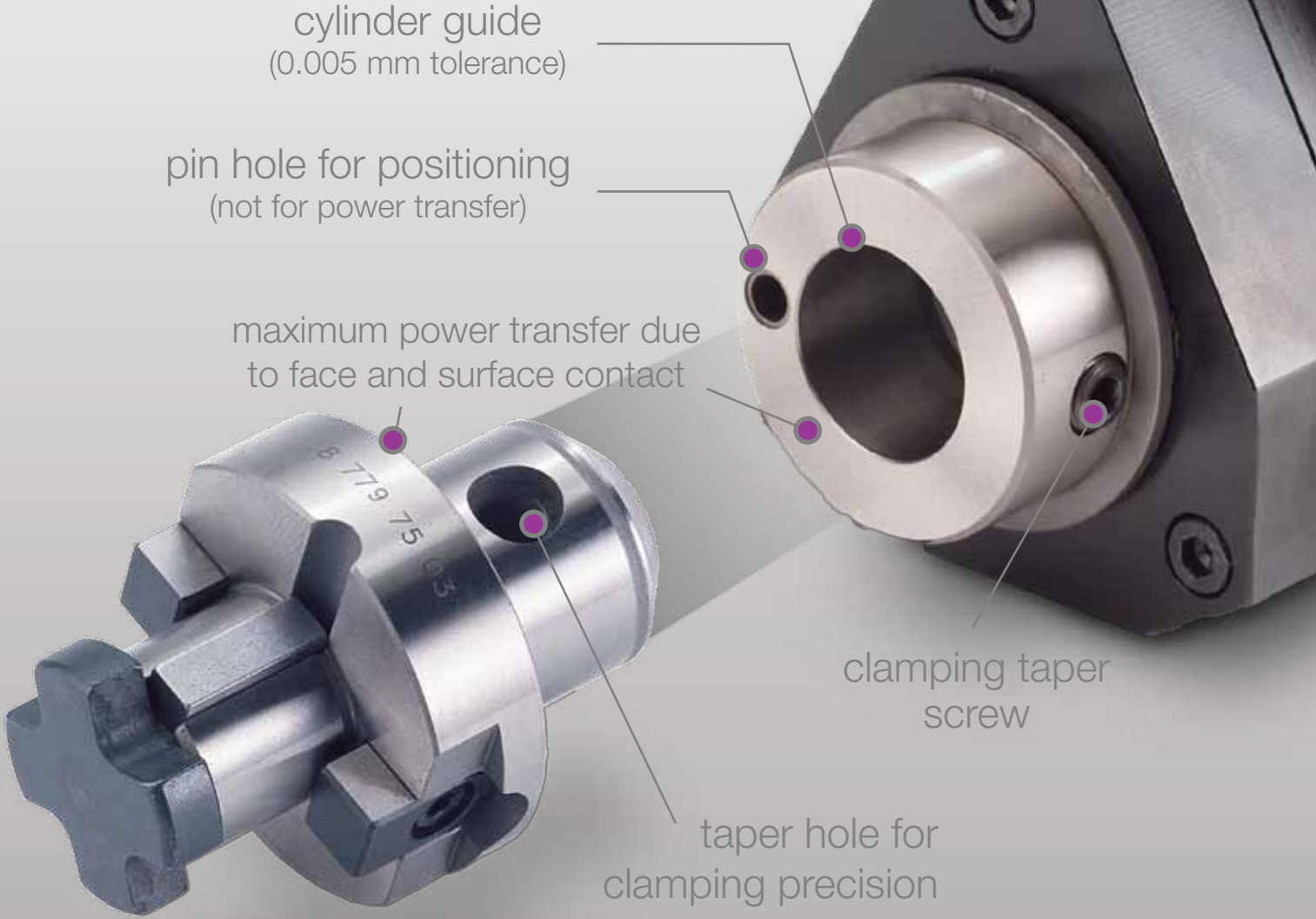


## HT Quick Change System

Available for live and static lathe tools as well as machining center angle heads. Internal coolant tools are also available.



# Functional features of the HT Quick Change system



- Saves Time and Money - Minimize Downtime
- The Adapters can be changed by unclamping one single bolt
- Presetting outside of machine is possible
- Exceptional repeatability and accuracy - under .0002 run out

# Standard & Special Angle Heads



Universal  
Adjustable Tool

- Standard with u-tec output
- Compact Design
- Extreme rigidity and accuracy
- Multiple inputs and outputs available
- HT Quick Change option available

Designed for heavy milling, deep hole drilling and tapping operations.

Our Angle Heads feature high precision twin or double twin sets of matched angular contact bearings plus a rear radial support bearing, ensuring maximum stability while in use.



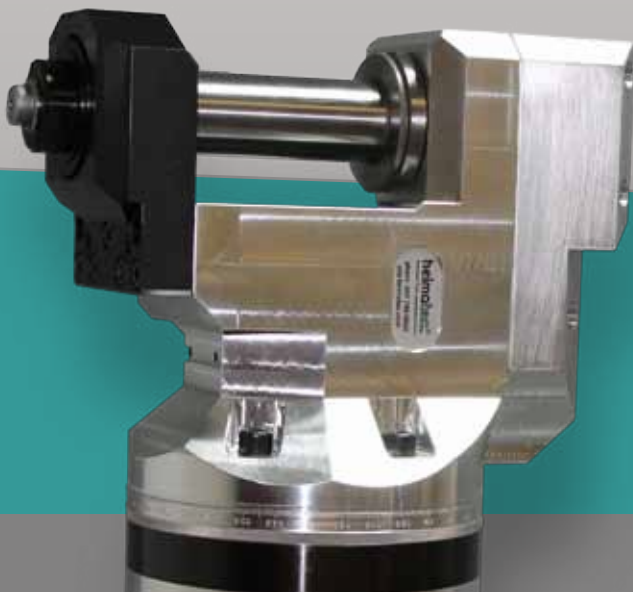
All the gears on these angle heads have inclined teeth made from high-resistance gear steel and have been specially hardened, ground and lapped in sets to provide the smoothest transmission output possible.

Heimatec angle heads are made from high-tensile strength aluminum. High-precision spindle bearings maintain the highest possible spindle concentricity.

- Powerful, accurate, and rigid
- Applications include milling, drilling, and tapping
- Torque rating up to 150 Nm
- Up to 1:4 gear ratio available
- Spindle speeds up to 24,000 rpm
- 360° body rotation
- Interchangeable torque arms
- Compatible with most Automatic Tool Changers



Slim Style with  
u-tec Output



Custom Tools for  
Special Applications

# Multiple Spindle Tools



Standard Axial  
Twin Spindle Tool



4 Spindle Custom CAT 40 Tool

Complete range of standard and custom tools

- Available with high pressure internal coolant
- High speed tools
- Very cost effective for high volume parts





Custom HSK 5 Spindle Tool



Standard Radial Twin Spindle Tool

Multiple spindle tools help maximize the turret or machine center capabilities

- Utilizes our patented u-tec system
- Perfect for drilling and tapping applications

# Static Tools



6 Position 1/2 Index Turning Tool



HT Quick Change Static Tool

Built to complement the precision of  
the machine tool



3 Position 1/2 Index Boring Bar Holder



Standard Boring Bar Holder

- 1/2 Index tools available
- Quick Change options
- Boring bar holders have coolant through capabilities



# Heimatec Part Number System



**8 010...**  
Axial Tool (Straight)



**8 030...**  
Radial Tool (90°)



**8 019...**  
Axial Offset Tool



**8 039...**  
Radial Dual Output  
Tool (90°)



**8 033...**  
Radial Offset  
Tool (90°)



**8 043...**  
Universal Adjustable  
Angle Tool



**8 050...**  
Axial  
Multi-Spindle Tool



**8 053...**  
Radial Multi-Spindle  
Tool (90°)



heimatec®  
USA

heimatec®  
Germany

heimatec®  
Russia

heimatec®  
India

heimatec®  
Taiwan

heimatec®  
Singapore

## Heimatec Inc.

16 E. Piper Lane, Suite 129  
Prospect Heights, IL 60070

Phone: +1 847 749 0633  
Fax: +1 847 749 2445

## heimatec® GmbH

Präzisionswerkzeuge  
Carl-Benz-Str. 4  
77871 Renchen GERMANY

Phone: +49 7843 94 66-0  
Fax: +49 7843 94 66-66



**heimatec**<sup>®</sup>  
Precision Tools

Visit us online at [www.heimatecinc.com](http://www.heimatecinc.com)