



MINITURN™

TURNING PRODUCTS



Series

- TMS

Holder Styles

- Round Shank
- With or without thru coolant

Holder Shank Dia

- 16mm
- .750"
- 20mm
- 25mm
- 1.00"

Insert Options

- CC...T32.5...
- DC...T32.5...
- DN...3.53.5
- VB...T22...

AHB

TOOLING & MACHINERY

COMPLETE METALWORKING SOLUTIONS

(800) 991-4225

www.ahbinc.com

ISO Certified

customerservice@ahbinc.com



Member IMC Group
Ingersoll
Cutting Tools

Series TMS

Round Shank Holders for External Turning on Swiss Automatic Machines

New MINI-TURN TMS holders feature a round shank designed to be mounted on the rear tool post and used for external machining. As such, it eliminates the shortage of tools on the tool post when machining complex geometries.

Available in several different shank sizes, these holders can also provide much better chip control when coupled with Ingersoll's thru-coolant Cool-Burst technology.

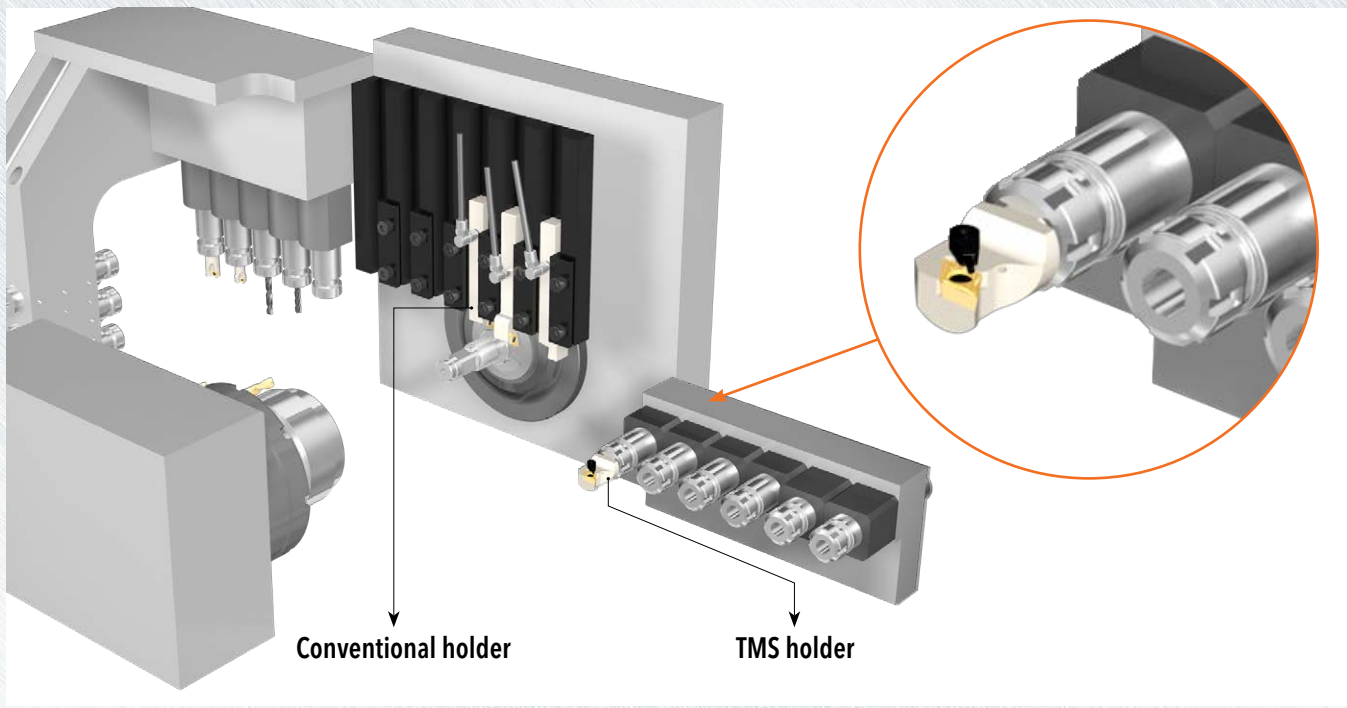
Holders are designed for ISO single-sided CCMT, DCMT and VBMT inserts, plus double-sided DNMG RhinoTurn inserts.

NEW-349-1

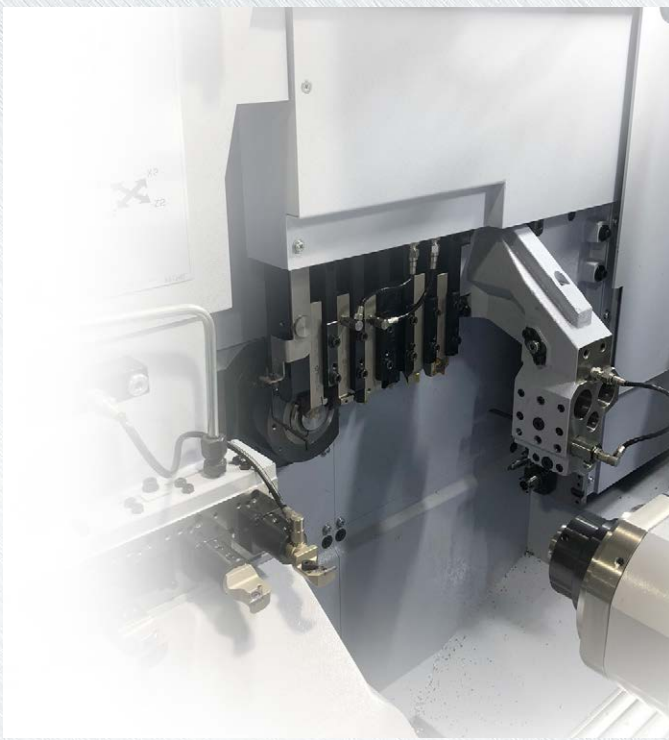
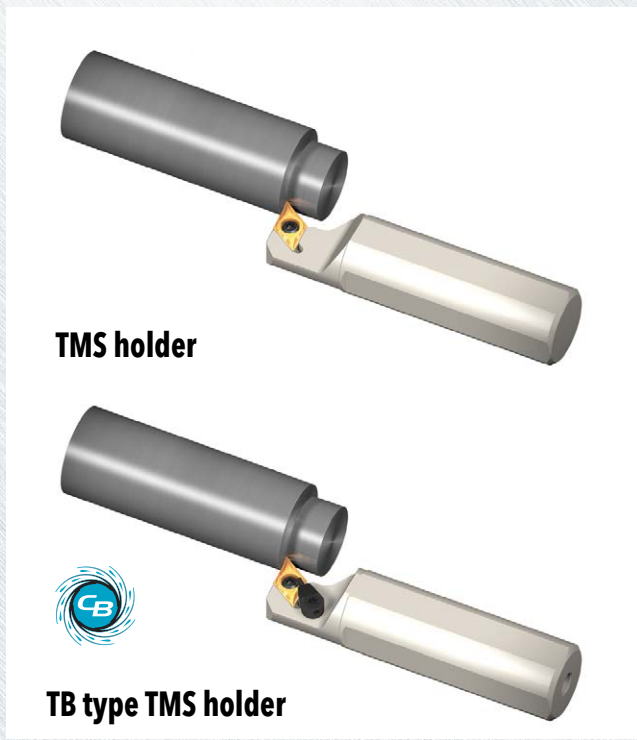
(03/2022)

1/9

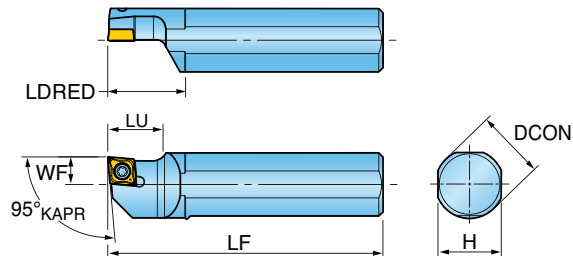
MINITURN™ TMS ROUND SHANK HOLDER FOR EXTERNAL TURNING



- Designed to machine the workpiece's outer diameter
- Mounts to the rear tool post
- Eliminates the shortage of tool stations when processing complex shapes
- Increases tool life and improves chip control when used with **COOLBURST™**



MINITURN™ TMS-SCCLCL ROUND SHANK HOLDER FOR EXTERNAL TURNING (CC_T32.5_)



METRIC

Approach angle	Part Number	Dimension (mm)						Insert
		DCON Shank Diameter	H Shank Height	LF Functional Length	LU Usable Length	LDRED Reduced Dia. Length	WF Functional Width	
95° 	TMS-20H-SCCLCL 09	20	18	100	20	28	10	CC...T32.5... (09T3...)
	TMS-20H-SCCLCL 09	25	23	100	20	28	10	

INCH

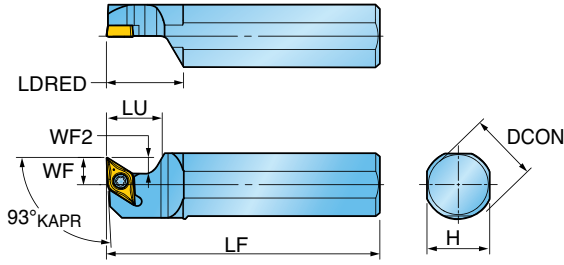
Approach angle	Part Number	Dimension (inch)						Insert
		DCON Shank Diameter	H Shank Height	LF Functional Length	LU Usable Length	LDRED Reduced Dia. Length	WF Functional Width	
95° 	TMS-19.05H-SCCLCL 09	.750	.669	3.94	.787	1.102	.394	CC...T32.5... (09T3...)

Spare Parts

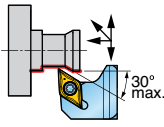
Part Number	Screw	Wrench	
TMS-SCCLCL	 SO 350801	 T 15	



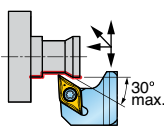
MINITURN™ TMS-SDUCL ROUND SHANK HOLDER FOR EXTERNAL TURNING (DC_T32.5_)



METRIC

Approach angle	Part Number	Dimension (mm)							Insert
		DCON Shank Diameter	H Shank Height	LF Functional Length	LU Usable Length	LDRED Reduced Dia. Length	WF Functional Width	WF2 Functional Width 2	
93° 	TMS-16X-SDUCL 11	16	15	85	20	28	10	6	DC...T32.5... (11T3...)
	TMS-20H-SDUCL 11	20	18	100	20	28	10	6	
	TMS-25H-SDUCL 11	25	23	100	20	28	10	6	

INCH

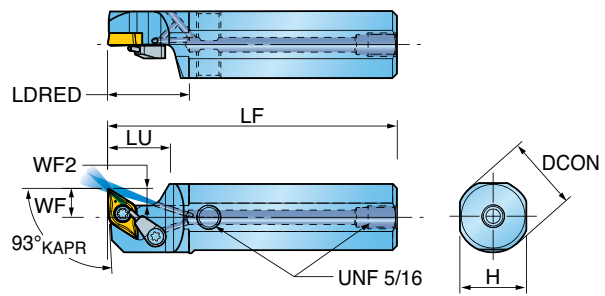
Approach angle	Part Number	Dimension (inch)						Insert
		DCON Shank Diameter	H Shank Height	LF Functional Length	LU Usable Length	LDRED Reduced Dia. Length	WF Functional Width	
93° 	TMS-19.05H-SDUCL 11	.750	.669	3.94	.787	1.102	.394	DC...T32.5... (11T3...)
	TMS-25.4H-SDUCL 11	1.000	.921	3.94	.846	1.122	.394	

Spare Parts

Part Number	Screw	Wrench
TMS-SDUCL	 SO 350801	 T 15



MINITURN™ TMS-SDUCL-TB ROUND SHANK HOLDER FOR EXTERNAL TURNING (DC_T32.5_)



METRIC

Approach angle	Part Number	Dimension (mm)							Insert
		DCON Shank Diameter	H Shank Height	LF Functional Length	LU Usable Length	LDRED Reduced Dia. Length	WF Functional Width	WF2 Functional Width 2	
<p>93°</p>	TMS-16X-SDUCR 11-TB	16	15	85	20	28	10	6	DC...T32.5... (11T3...)
	TMS-20H-SDUCL 11-TB	20	18	100	20	28	10	6	
	TMS-25H-SDUCL 11-TB	25	23	100	20	28	10	6	

INCH

Approach angle	Part Number	Dimension (inch)						Insert
		DCON Shank Diameter	H Shank Height	LF Functional Length	LU Usable Length	LDRED Reduced Dia. Length	WF Functional Width	
<p>93°</p>	TMS-19.05H-SDUCL 11-TB	.750	.669	3.94	.787	1.102	.394	DC...T32.5... (11T3...)

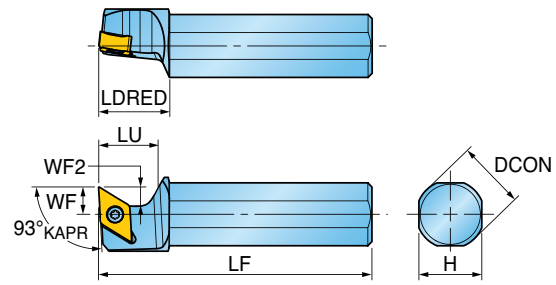
Coolant Pressure
Recommended: 1000 psi
Maximum: 2000 psi

Spare Parts

Part Number	Screw	Oil Supply Unit	Plug	Wrench
TMS-SDUCR/L-TB	SO 350801	S-CU-TB	PLG 5/16 UNF	T 15



MINITURN™ TMS-SDUNL ROUND SHANK HOLDER FOR EXTERNAL TURNING (DN_3.53.5_)



METRIC

Approach angle	Part Number	Dimension (mm)							Insert
		DCON Shank Diameter	H Shank Height	LF Functional Length	LU Usable Length	LDRED Reduced Dia. Length	WF Functional Width	WF2 Functional Width 2	
	TMS-16X-SDUNL 1305	16	15	85	22	26	10	7	DN...3.53.5... (1305...)
	TMS-20H-SDUNL 1305	20	18	100	22	26	10	7	
	TMS-25H-SDUNL 1305	25	23	100	22	26	10	7	

INCH

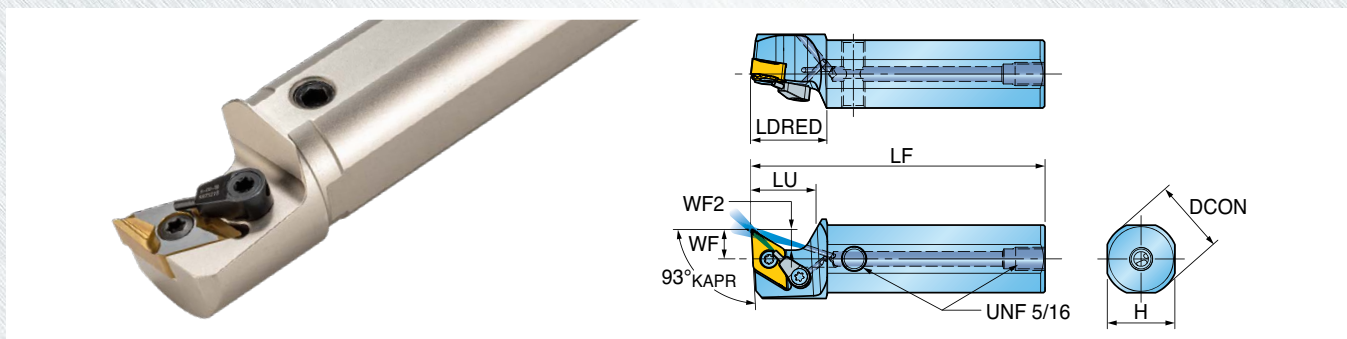
Approach angle	Part Number	Dimension (inch)						Insert
		DCON Shank Diameter	H Shank Height	LF Functional Length	LU Usable Length	LDRED Reduced Dia. Length	WF Functional Width	
	TMS-19.05H-SDUNL 1305	.750	.669	3.94	.866	1.024	.394	DN...3.53.5... (1305...)

Spare Parts

Part Number	Screw	Wrench	
TMS-SDUNL	 SE02-78	 T 15	TMS-SDUNL



MINITURN™ TMS-SDUNL-TB ROUND SHANK HOLDER FOR EXTERNAL TURNING (DN_3.53.5_)



METRIC

Approach angle	Part Number	Dimension (mm)							Insert
		DCON Shank Diameter	H Shank Height	LF Functional Length	LU Usable Length	LDRED Reduced Dia. Length	WF Functional Width	WF2 Functional Width 2	
93° 	TMS-25H-SDUNL 1305-TB	25	23	100	22	26	10	7	DN...3.53.5... (1305...)

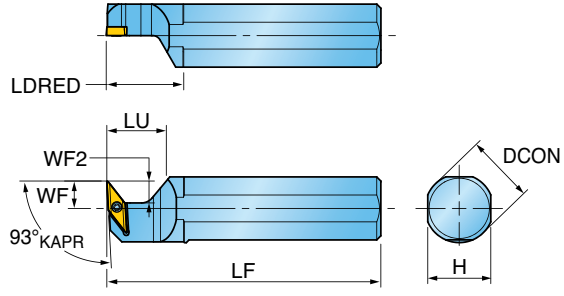
Coolant Pressure
Recommended: 1000 psi
Maximum: 2000 psi

Spare Parts

Part Number	Screw	Oil Supply Unit	Plug	Wrench	
TMS-SDUNL-TB	SE02-78	S-CU-TB	PLG 5/16 UNF	T 15	L-W 4



MINITURN™ TMS-SVUBL ROUND SHANK HOLDER FOR EXTERNAL TURNING (VB_T22_)



METRIC

Approach angle	Part Number	Dimension (mm)							Insert
		DCON Shank Diameter	H Shank Height	LF Functional Length	LU Usable Length	LDRED Reduced Dia. Length	WF Functional Width	WF2 Functional Width 2	
<p>93° 50° max.</p>	TMS-20H-SVUBL 11	20	18	100	21	25	10	8	VB...T22... (1103...)
	TMS-25H-SVUBL 11	25	23	100	21	25	10	8	

INCH

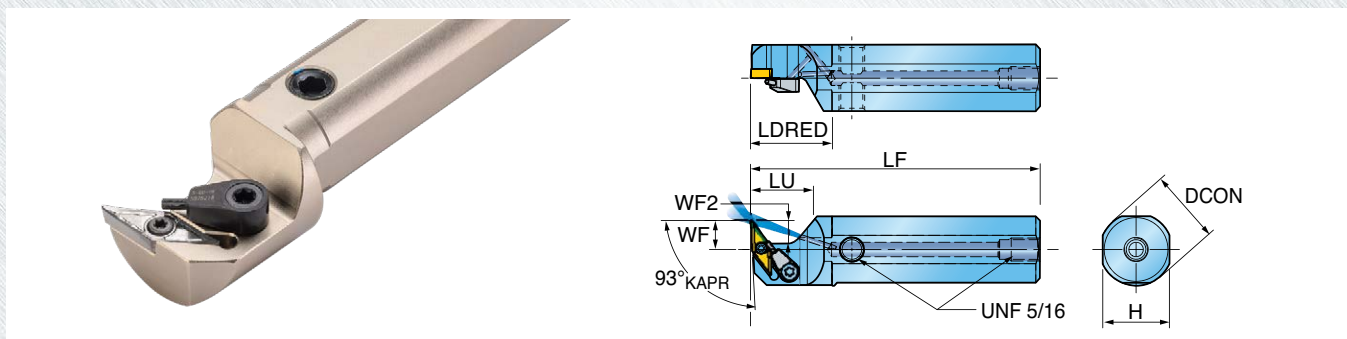
Approach angle	Part Number	Dimension (inch)						Insert
		DCON Shank Diameter	H Shank Height	LF Functional Length	LU Usable Length	LDRED Reduced Dia. Length	WF Functional Width	
<p>93° 50° max.</p>	TMS-19.05H-SVUBL 11	.750	.669	3.94	.827	.984	.394	VB...T22... (1103...)

Spare Parts

Part Number	Screw	Wrench
TMS-SVUBL	 S0 250651	 T 7(T-7/5)



MINITURN™ TMS-SVUBL-TB ROUND SHANK HOLDER FOR EXTERNAL TURNING (VB_T22_)



METRIC

Approach angle	Part Number	Dimension (mm)							Insert
		DCON Shank Diameter	H Shank Height	LF Functional Length	LU Usable Length	LDRED Reduced Dia. Length	WF Functional Width	WF2 Functional Width 2	
	TMS-16X-SVUBR 11-TB	16	15	85	22	26	10	8	VB_T22... (1103...)
	TMS-20H-SVUBL 11-TB	20	18	100	22	26	10	8	
	TMS-25H-SVUBL 11-TB	25	23	100	22	26	10	8	

INCH

Approach angle	Part Number	Dimension (inch)						Insert
		DCON Shank Diameter	H Shank Height	LF Functional Length	LU Usable Length	LDRED Reduced Dia. Length	WF Functional Width	
	TMS-19.05H-SVUBL 11-TB	.750	.669	3.94	.827	.984	.394	VB_T22... (1103...)

Coolant Pressure
Recommended: 1000 psi
Maximum: 2000 psi

Spare Parts

Part Number	Screw	Oil Supply Unit	Plug	Wrench	
TMS-SVBR/L-TB	SO 250651	S-CU-TB	PLG 5/16 UNF	T 7(T-7/5)	L-W 4