

MINI-TURN™

TURNING PRODUCTS

AHB

TOOLING & MACHINERY

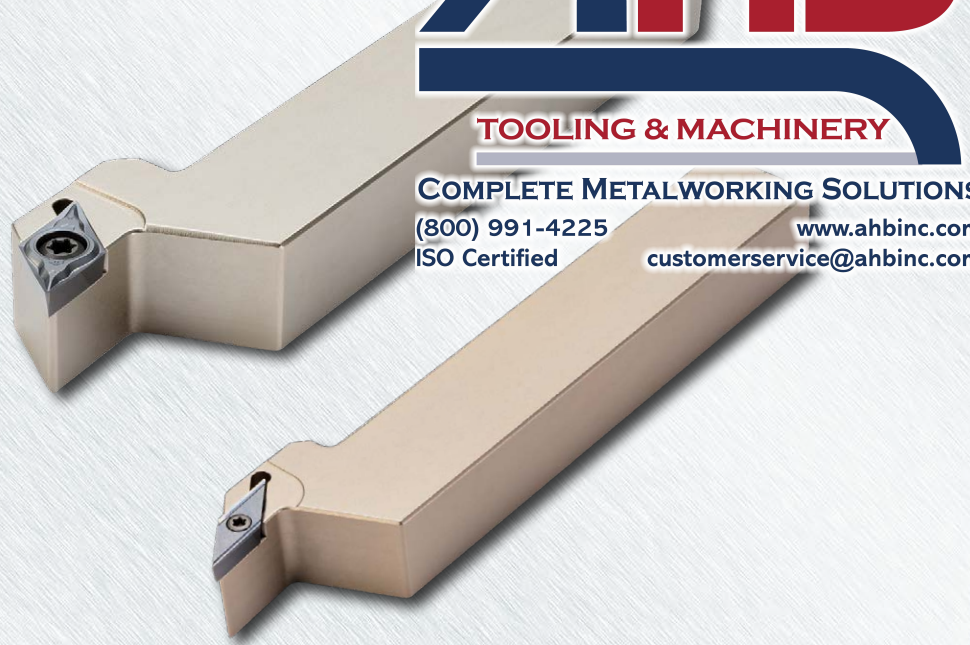
COMPLETE METALWORKING SOLUTIONS

(800) 991-4225

ISO Certified

www.ahbinc.com

customerservice@ahbinc.com



Series

- TMZ

Holder Styles

- Z-Axis Square Shank Holder
- All holders are right hand

Square Shank Size

- 12mm
- 16mm

Insert Options

- DC...T32.5...
- VB...T22...

Series TMZ Z-Axis Shift Holders for Swiss Automatic Lathes

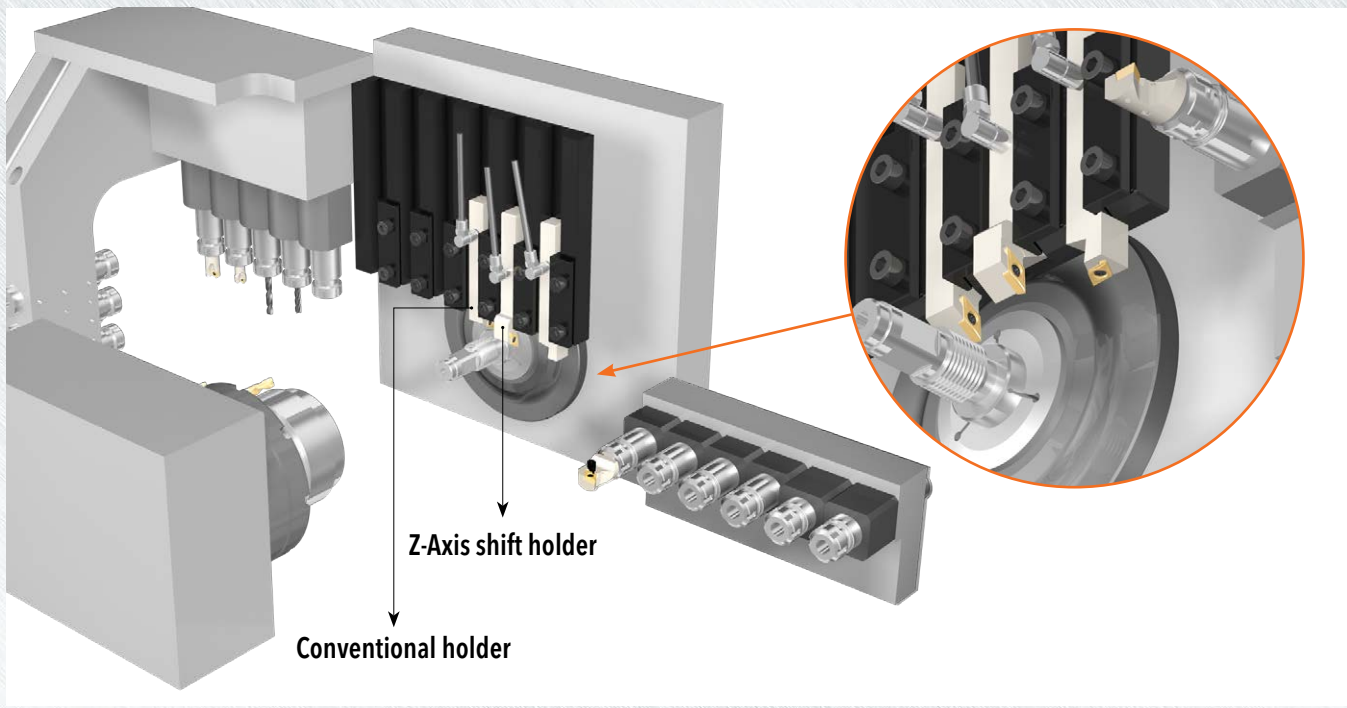
New MINI-TURN Z-Axis holders are unconventionally shaped holders with a Z-axis offset built into the design. This allows finish applications to be completed without retracting the guide bushing after the roughing stage, providing more flexibility and the potential for reducing cycle time.

An extra space between the holder and the workpiece ensures easier chip removal making it suitable for the machining of thin and long workpieces in Swiss type automatic lathes

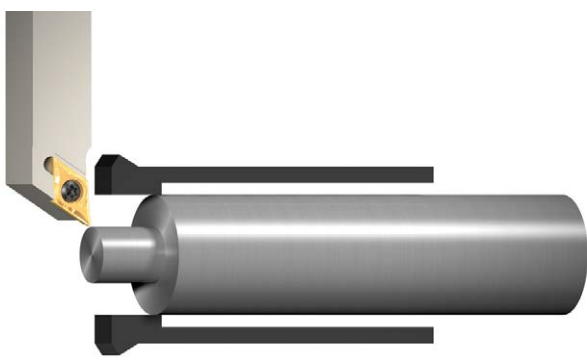
Standard Z-Axis Shift holders are right-handed, metric-based and accommodate standard DCMT and VBMT inserts.



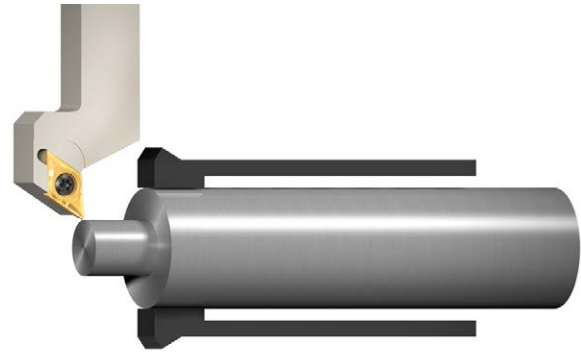
MINITURN™ TMZ Z-AXIS SHIFT HOLDER FOR EXTERNAL TURNING



- Elimination of guide bushing retraction stage allows finish OD turning applications to be completed more quickly
- Unconventional design allows for extra space between the holder and the workpiece for smoother chip evacuation
- Suitable for the machining of thin and long workpieces in Swiss type automatic lathes



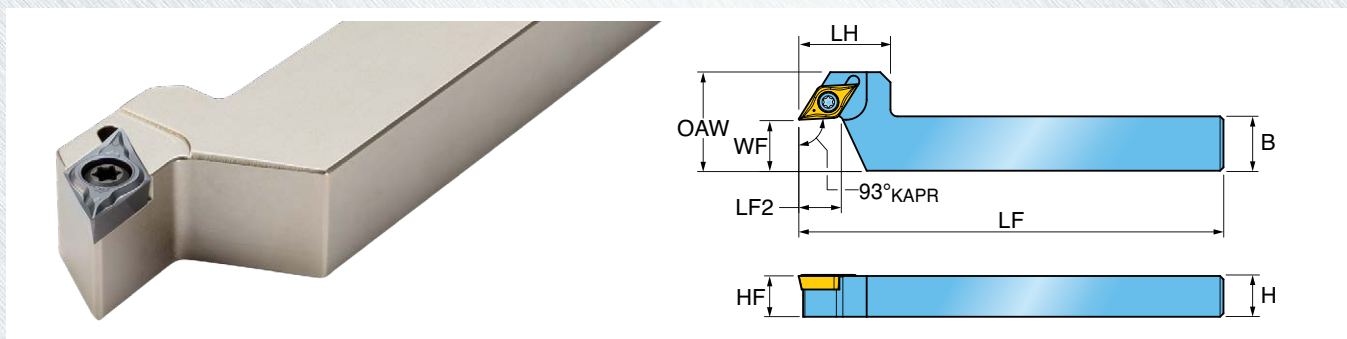
Conventional holder



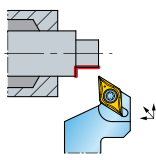
Z-Axis holder



MINITURN™ TMZ-SDJCR Z-AXIS SHIFT HOLDER FOR EXTERNAL TURNING (DC_T32.5_)



METRIC

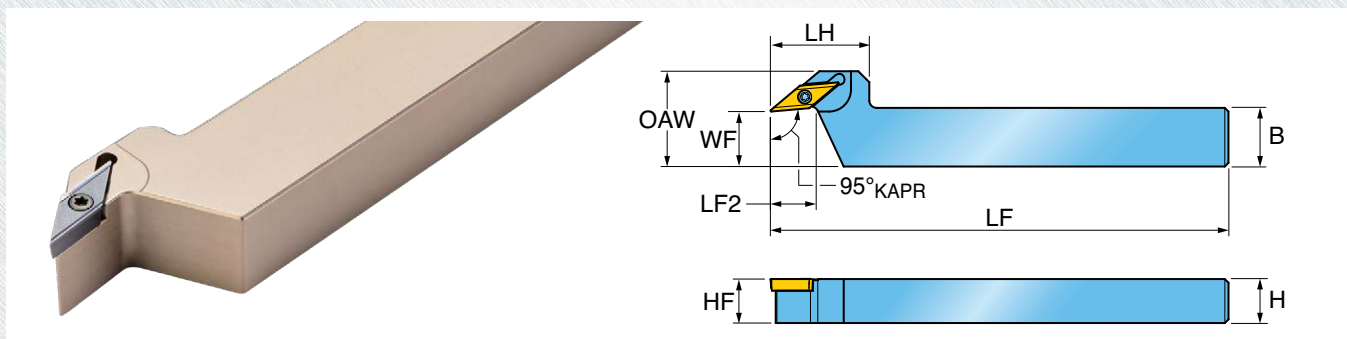
Approach angle	Part Number	Dimension (mm)								Insert
		H Shank Height	HF Functional Height	B Shank Width	LF Functional Length	LF2 Functional Length 2	OAW Overall Width	LH	WF Functional Width	
93° 	TMZ-SDJCR 1216 K11-F15	12	12	16	125	12.5	29	27	15	DC...T32.5... (11T3...)
	TMZ-SDJCR 1620 K11-F15	16	16	20	125	16.3	29	30	15	

Spare Parts

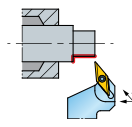
Part Number	Screw	Wrench	
			
TMZ-SDJCR	SO 350801	T15	

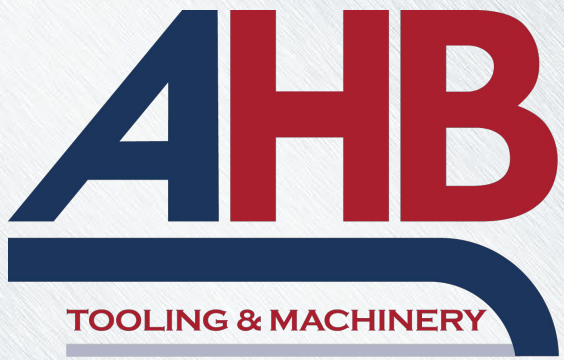


MINITURN™ TMZ-SVLBR Z-AXIS SHIFT HOLDER FOR EXTERNAL TURNING (VB_T22_)



METRIC

Approach angle	Part Number	Dimension (mm)								Insert
		H Shank Height	HF Functional Height	B Shank Width	LF Functional Length	LF2 Functional Length 2	OAW Overall Width	LH	WF Functional Width	
95° 	TMY-SVLBR 1216 K11-F15	12	12	16	125	12.3	26	27	15	VB...T22 (1103...)
	TMY-SVLBR 1620 K11-F15	16	16	20	125	16.2	26	30	15	



COMPLETE METALWORKING SOLUTIONS

(800) 991-4225
 www.ahbinc.com
 ISO Certified
 customerservice@ahbinc.com

Spare Parts

Part Number	Screw	Wrench	
TMZ-SVLBR	 SO 250651	 T 7(T-7/5)	