

HOLEMAKING

Product Line Affected

D'Andrea Precision Boring Products



COMPLETE METALWORKING SOLUTIONS
(800) 991-4225 www.ahbinc.com
ISO Certified customerservice@ahbinc.com

Ingersoll Cutting Tools pleased to introduce the **Ingersoll Precision Boring (IPB) System** engineered to support a full range of roughing and finishing boring applications with exceptional precision. This comprehensive product line features a user-friendly modular connection designed to deliver superior versatility and consistent accuracy across operations.

Whether the goal is to improve operational efficiency, enhance machining performance, or simplify daily processes, the IPB system has been developed with the end user in mind.

KEY FEATURES OF THE IPB SYSTEM:

- Extensive arbor offerings, including HSK, CAT, MAS403-BT, and NMTB configurations
- Broad application range for rough and finish boring, covering diameters from \varnothing .098"-23.580"
- Modular extensions and reducers to accommodate a wide variety of bore depths
- Modular chucking solutions, including ER collet, side lock, and face mill drivers
- Full compatibility and interchangeability with the previous D'Andrea boring system
- Reliable performance supported by expert product knowledge and application assistance

This document provides a detailed, side-by-side comparison of components from the legacy boring system alongside their corresponding IPB equivalents. Each product series includes a scannable QR code linking directly to Ingersoll's e-catalog, where users can access comprehensive specifications and dimensional data.

For a complete overview of the full product offering, please refer to the IPB Product Landing Page.

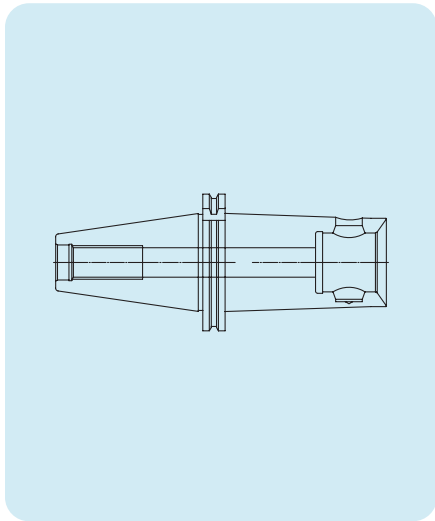
Scan/tap/
click for
info »



Table of Contents

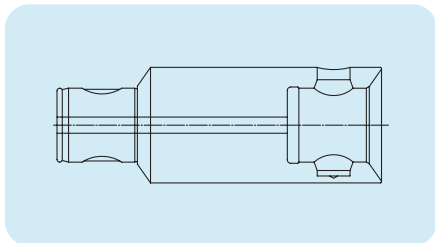
Phase Out

Phase In



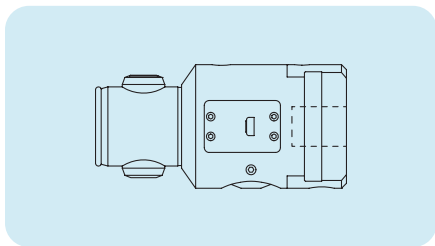
ARBORS & ADAPTORS

- » DIN69871 [4](#)
- » HSK-A..... [5](#)
- » PSC/Capto [5](#)
- » CAT..... [6](#)
- » MAS403-BT..... [7](#)
- » NMTB..... [8](#)
- » DIN2080 [8](#)
- » Straight Shank - Steel [8](#)
- » Straight Shank - Carbide..... [9](#)



EXTENSIONS & REDUCERS

- » PR / XT Extension..... [10](#)
- » RD / RT Reducer..... [11](#)
- » Extended Reach Reducer..... [12](#)
- » Anti-Vibration Reducer [12](#)



HEADS

- » 2µm Fine Boring Heads [13](#)
- » .0001" Fine Boring Heads..... [13](#)
- » Digital Finishing Head [14](#)
- » Roughing Heads..... [14](#)



Note:

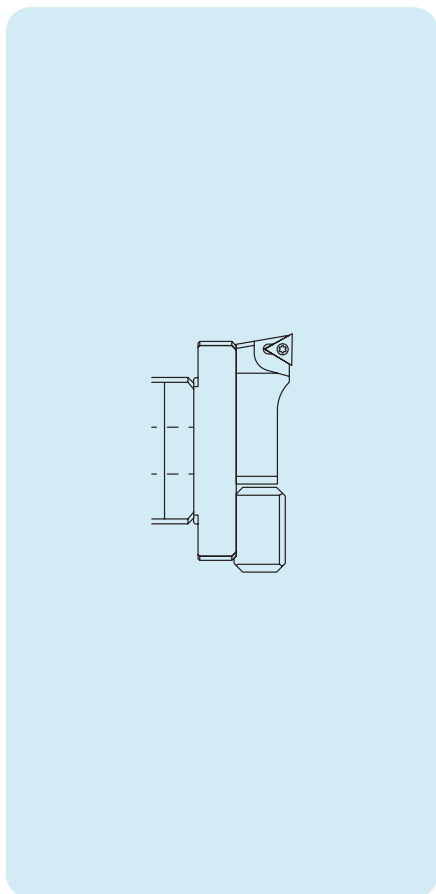
All "Phase In" tables in this document feature a QR code that can be **scanned** when printed or **clicked/ tapped** when viewing digitally.

Table of Contents continues on next page »

Table of Contents

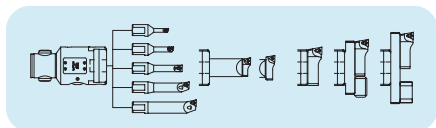
Phase Out

Phase In



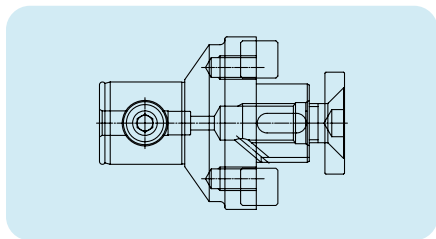
CARTRIDGES, BORING BARS, SLIDES

- » Standard Finishing Cartridges (C Type Inserts)..... [15](#)
- » Standard Finishing Cartridges (T Type Inserts)..... [15](#)
- » Backboring Finishing Cartridges [15](#)
- » Standard Roughing Cartridges [16](#)
- » 15° Roughing Cartridges [17](#)
- » Roughing Cartridges (T Type Inserts)..... [17](#)
- » Backboring Roughing Cartridges..... [17](#)
- » Boring Bars Finishing [18](#)
- » Boring Bars Finishing (Heavy Metal) ... [19](#)
- » Boring Bars Finishing (Carbide) [19](#)
- » Boring Bar Sleeve Finishing..... [19](#)
- » Dovetail Slides Finishing [20](#)
- » Dovetail Posts Finishing [20](#)
- » Extension for Cartridges..... [20](#)



KITS

- » Analog Finishing Kits..... [21](#)
- » Digital Finishing Kits [21](#)



ACCESSORIES

- » Side Lock..... [22](#)
- » ER Collet [23](#)
- » Expanding Pin Coupling..... [23](#)
- » Face Mill Drivers..... [24](#)



Note:

All “Phase In” tables in this document feature a QR code that can be **scanned** when printed or **clicked/tapped** when viewing digitally.

Arbors & Adaptors • DIN69871

OLD / NEW ITEM NUMBERS

DIN69871 Phase Out		➡	IPB-DIN69871 Phase In	
Item Number	ISO Part Number		Item Number	ISO Part Number
4541167	DIN69871-A30MHD50.60	➡	2941498	DIN69871-30-IPB50.60
4507450	DIN69871-A40MHD40.45	➡	2941499	DIN69871-40-IPB40.45
NA	DIN69871-A40MHD40.120	➡	2941500	DIN69871-40-IPB40.120
4540795	DIN69871-A40MHD50.48	➡	2941501	DIN69871-40-IPB50.48
3719374	DIN69871-AD40MHD50.120	➡	2941502	DIN69871-40-IPB50.120
4540796	DIN69871-A40MHD63.80	➡	2941503	DIN69871-40-IPB63.80
4540797	DIN69871-A50MHD50.48	➡	2941504	DIN69871-50-IPB50.48
4541477	DIN69871-ADB50MHD50.120	➡	2941505	DIN69871-50-IPB50.120
4540798	DIN69871-A50MHD63.56	➡	2941506	DIN69871-50-IPB63.56
4541478	DIN69871-ADB50MHD63.150	➡	2941507	DIN69871-50-IPB63.150
4540799	DIN69871-A50MHD80.62	➡	2941508	DIN69871-50-IPB80.62
4541479	DIN69871-ADB50MHD80.180	➡	2941509	DIN69871-50-IPB80.180
FC (Face Contact) DIN69871 AD Phase Out		➡	IPB-DIN69871_FC (Face Contact) Phase In	
Item Number	ISO Part Number		Item Number	ISO Part Number
3719409	DIN69871-AD40FCMHD50.48	➡	2941510	DIN69871-40-FC-IPB50.48
3719410	DIN69871-AD40FCMHD50.120	➡	2941511	DIN69871-40-FC-IPB50.120
NA	DIN69871-AD40FCMHD63.56	➡	2941512	DIN69871-40-FC-IPB63.56
3719412	DIN69871-AD50FCMHD50.48	➡	2941513	DIN69871-50-FC-IPB50.48
3719414	DIN69871-AD50FCMHD50.120	➡	2941514	DIN69871-50-FC-IPB50.120
3719417	DIN69871-AD50FCMHD63.56	➡	2941515	DIN69871-50-FC-IPB63.56
3719418	DIN69871-AD50FCMHD63.150	➡	2941516	DIN69871-50-FC-IPB63.150
3719420	DIN69871-AD50FCMHD80.62	➡	2941517	DIN69871-50-FC-IPB80.62
3719421	DIN69871-AD50FCMHD80.180	➡	2941518	DIN69871-50-FC-IPB80.180

Arbors & Adaptors (continued) • HSK-A

OLD / NEW ITEM NUMBERS

HSK-A DIN 69893 Phase Out		➤	IPB-HSK-A (DIN 69893) Phase In	
Item Number	ISO Part Number		Item Number	ISO Part Number
4506768	HSK-A40MHD32.48	➤	2941895	HSK-A40-IPB32.48
4540794	HSK-A50MHD50.66	➤	2941896	HSK-A50-IPB50.66
4543377	HSK-A63MHD40.60	➤	2941897	HSK-A63-IPB40.60
4543378	HSK-A63MHD40.120	➤	2941898	HSK-A63-IPB40.120
4541158	HSK-A63MHD50.66	➤	2941899	HSK-A63-IPB50.66
4541472	HSK-A63MHD50.120	➤	2941900	HSK-A63-IPB50.120
4541159	HSK-A63MHD63.75	➤	2941901	HSK-A63-IPB63.75
4541160	HSK-A80MHD50.70	➤	2941902	HSK-A80-IPB50.70
4541161	HSK-A80MHD63.80	➤	2941903	HSK-A80-IPB63.80
4541162	HSK-A80MHD80.86	➤	2941904	HSK-A80-IPB80.86
4541163	HSK-A100MHD50.72	➤	2941905	HSK-A100-IPB50.72
4541473	HSK-A100MHD50.120	➤	2941906	HSK-A100-IPB50.120
4541164	HSK-A100MHD63.82	➤	2941907	HSK-A100-IPB63.82
4541474	HSK-A100MHD63.150	➤	2941908	HSK-A100-IPB63.150
4541165	HSK-A100MHD80.88	➤	2941909	HSK-A100-IPB80.88
4541475	HSK-A100MHD80.180	➤	2941910	HSK-A100-IPB80.180

Arbors & Adaptors (continued) • PSC/Capto

OLD / NEW ITEM NUMBERS

PSC_MHD Phase Out		➤	IPB-PSC (ISO26623-1) Phase In	
Item Number	ISO Part Number		Item Number	ISO Part Number
4508236	PSC40-MHD32.42	➤	2941519	C4-IPB32.42
4508237	PSC50-MHD50.55	➤	2941520	C5-IPB50.55
4508239	PSC63-MHD40.120	➤	2941521	C6-IPB40.120
4508238	PSC63-MHD40.50	➤	2941522	C6-IPB40.50
4508241	PSC63-MHD50.120	➤	2941523	C6-IPB50.120
5884622	PSC63-MHD50.55	➤	2941524	C6-IPB50.55
4508240	PSC63-MHD50.67	➤	2941525	C6-IPB50.67
4508242	PSC63-MHD63.77	➤	2941526	C6-IPB63.77
4508243	PSC80-MHD50.60	➤	2941527	C8-IPB50.60
4508244	PSC80-MHD50.120	➤	2941528	C8-IPB50.125
4508245	PSC80-MHD63.70	➤	2941529	C8-IPB63.70
4508246	PSC80-MHD63.150	➤	2941530	C8-IPB63.150
4508247	PSC80-MHD80.75	➤	2941531	C8-IPB80.75

Arbors & Adaptors (continued) • MAS403-BT

OLD / NEW ITEM NUMBERS

MAS 403 BT Phase Out		➡	IPB-MAS403-BT Phase In	
Item Number	ISO Part Number		Item Number	ISO Part Number
4541180	MAS403-BT30MHD50.60	➡	2941552	MAS403-BT30-IPB50.60
4507464	MAS403-BT40MHD40.45	➡	2941553	MAS403-BT40-IPB40.45
NA	MAS403-BT40MHD40.120	➡	2941554	MAS403-BT40-IPB40.120
4540800	MAS403-BT40MHD50.48	➡	2941555	MAS403-BT40-IPB50.48
NA	MAS403-BT40MHD50.120	➡	2941556	MAS403-BT40-IPB50.120
4540801	MAS403-BT40MHD63.66	➡	2941557	MAS403-BT40-IPB63.66
4541182	MAS403-BT45MHD50.62	➡	2941558	MAS403-BT45-IPB50.62
4540802	MAS403-BT50MHD50.66	➡	2941559	MAS403-BT50-IPB50.66
NA	MAS403-BT50MHD50.120	➡	2941560	MAS403-BT50-IPB50.120
4543407	MAS403-BT50MHD63.50	➡	2941561	MAS403-BT50-IPB63.50
NA	MAS403-BT50MHD63.150	➡	2941562	MAS403-BT50-IPB63.150
4540804	MAS403-BT50MHD80.75	➡	2941563	MAS403-BT50-IPB80.75
NA	MAS403-BT50MHD80.180	➡	2941564	MAS403-BT50-IPB80.180
MAS 403 BT FC (Face Contact) AD Phase Out		➡	IPB-MAS403-BT_FC (Face Contact) Phase In	
Item Number	ISO Part Number		Item Number	ISO Part Number
4508271	MAS403-BT40FCADBMD50.48	➡	2941567	MAS403-BT40-FC-IPB50.48
4508272	MAS403-BT40FCADBMD50.120	➡	2941568	MAS403-BT40-FC-IPB50.120
2904547	MAS403-BT40FCADBMD63.66	➡	2941569	MAS403-BT40-FC-IPB63.66
2904548	MAS403-BT50FCADBMD50.66	➡	2941570	MAS403-BT50-FC-IPB50.66
2904549	MAS403-BT50FCADBMD63.75	➡	2941571	MAS403-BT50-FC-IPB63.75
2904554	MAS403-BT50FCADBMD63.150	➡	2941572	MAS403-BT50-FC-IPB63.150
2904550	MAS403-BT50FCADBMD80.75	➡	2941573	MAS403-BT50-FC-IPB80.75
2904556	MAS403-BT50FCADBMD80.180	➡	2941574	MAS403-BT50-FC-IPB80.180

Extensions & Reducers

OLD / NEW ITEM NUMBERS

PR - Extension Phase Out		➡	IPB-XT - Extension Phase In	
Item Number	ISO Part Number		Item Number	ISO Part Number
4540807	PR16.25	➡	2941620	IPB16-XT-25
4540808	PR20.32	➡	2941621	IPB20-XT-32
4540809	PR25.25	➡	2941622	IPB25-XT-25
4540810	PR25.40	➡	2941623	IPB25-XT-40
4540811	PR32.32	➡	2941624	IPB32-XT-32
4540812	PR32.50	➡	2941625	IPB32-XT-50
4540813	PR40.40	➡	2941626	IPB40-XT-40
4540814	PR40.63	➡	2941627	IPB40-XT-63
4540815	PR50.50	➡	2941628	IPB50-XT-50
4540816	PR50.80	➡	2941629	IPB50-XT-80
4540817	PR50.100	➡	2941630	IPB50-XT-100
4540818	PR63.63	➡	2941631	IPB63-XT-63
4540819	PR63.100	➡	2941632	IPB63-XT-100
4540820	PR63.125	➡	2941633	IPB63-XT-125
4540821	PR80.80	➡	2941634	IPB80-XT-80
4540822	PR80.125	➡	2941635	IPB80-XT-125
4540823	PR80.160	➡	2941636	IPB80-XT-160



Extensions & Reducers (continued)

OLD / NEW ITEM NUMBERS

RD - Reducer Phase Out		➡	IPB-RT - Reducer Phase In	
Item Number	ISO Part Number		Item Number	ISO Part Number
4541237	RD20/16.20	➡	2941637	IPB20-RT16-20
4541238	RD25/16.20	➡	2941638	IPB25-RT16-20
4541239	RD25/20.25	➡	2941639	IPB25-RT20-25
4541240	RD32/16.24	➡	2941640	IPB32-RT16-24
4541241	RD32/20.25	➡	2941641	IPB32-RT20-25
4541242	RD32/25.28	➡	2941642	IPB32-RT25-28
4541243	RD40/16.24	➡	2941643	IPB40-RT16-24
4541244	RD40/20.26	➡	2941644	IPB40-RT20-26
4541245	RD40/25.28	➡	2941645	IPB40-RT25-28
4541246	RD40/32.32	➡	2941646	IPB40-RT32-32
4540824	RD50/16.24	➡	2941647	IPB50-RT16-24
4540825	RD50/20.26	➡	2941650	IPB50-RT20-26
4540826	RD50/25.28	➡	2941654	IPB50-RT25-28
4540827	RD50/32.32	➡	2941657	IPB50-RT32-32
4540828	RD50/40.36	➡	2941659	IPB50-RT40-36
4540829	RD63/50.40	➡	2941661	IPB63-RT50-40
4543063	RD80/50.45	➡	2941662	IPB80-RT50-45
4540830	RD80/63.60	➡	2941663	IPB80-RT63-60



Extensions & Reducers (continued) • Extended Reach Reducer

OLD / NEW ITEM NUMBERS

RD - Extended Reach Phase Out		➤	IPB-RT - Extended Reach Reducer Phase In	
Item Number	ISO Part Number		Item Number	ISO Part Number
4540831	RD50/16.40	➤	2941648	IPB50-RT16-40
4541247	RD50/16.74	➤	2941649	IPB50-RT16-74
4540832	RD50/20.70	➤	2941651	IPB50-RT20-70
4541248	RD50/20.93	➤	2941652	IPB50-RT20-93
4540833	RD50/25.87	➤	2942091	IPB50-RT25-87
4541249	RD50/25.117	➤	2941653	IPB50-RT25-117
4540834	RD50/32.87	➤	2941655	IPB50-RT32-87
4541250	RD50/32.144	➤	2941656	IPB50-RT32-144
4540835	RD50/40.87	➤	2941660	IPB50-RT40-87
4541251	RD50/40.176	➤	2941658	IPB50-RT40-176

Extensions & Reducers (continued) • Anti-Vibration Reducer

OLD / NEW ITEM NUMBERS

RAV - Vibration-Dampening Reducer Phase Out		➤	IPB-ART - Vibration Dampened Reducer Phase In	
Item Number	ISO Part Number		Item Number	ISO Part Number
4540836	RAV50/16.74	➤	2941667	IPB50-ART16-74
4540837	RAV50/20.93	➤	2941668	IPB50-ART20-93
4540838	RAV50/25.117	➤	2941669	IPB50-ART25-117
4540839	RAV50/32.144	➤	2941670	IPB50-ART32-144
4540840	RAV50/40.176	➤	2941664	IPB50-ART40-176
4541252	RAV63/50.220	➤	2941665	IPB63-ART50-220
4541253	RAV80/63.280	➤	2941666	IPB80-ART63-280

Heads • 2µm Fine Boring Heads

OLD / NEW ITEM NUMBERS

TRM - Finish Boring Head Phase Out		➤	IPB-AFH (metric) - Analog Finish Boring Head Phase In	
Item Number	ISO Part Number		Item Number	ISO Part Number
3240066	TRM16	➤	2941722	AFH-IPB16-16
3240067	TRM20	➤	2941723	AFH-IPB20-20
3240068	TRM25	➤	2941724	AFH-IPB25-25
3240069	TRM32	➤	2941725	AFH-IPB32-32
3240070	TRM40	➤	2941726	AFH-IPB40-40
3240071	TRM50	➤	2941727	AFH-IPB50-50
3240072	TRM50/63	➤	2941778	AFH-IPB50-63
3240074	TRM50/80	➤	2941779	AFH-IPB50-80
3240073	TRM63/63	➤	2941780	AFH-IPB63-63
3240075	TRM80/80	➤	2941781	AFH-IPB80-80
3240076	TRM80/125	➤	2941782	AFH-IPB80-125

Heads • .0001" Fine Boring Heads


OLD / NEW ITEM NUMBERS

TRM - Finish Boring Head Phase Out		➤	IPB-AFH (inch) - Analog Finish Boring Head Phase In	
Item Number	ISO Part Number		Item Number	ISO Part Number
3240178	TRM16INCH	➤	2941728	AFH-IPB16-16-INCH
3240179	TRM20INCH	➤	2941729	AFH-IPB20-20-INCH
3240180	TRM25INCH	➤	2941730	AFH-IPB25-25-INCH
3240181	TRM32INCH	➤	2941731	AFH-IPB32-32-INCH
3240182	TRM40INCH	➤	2941732	AFH-IPB40-40-INCH
3240183	TRM50INCH	➤	2941733	AFH-IPB50-50-INCH
3240202	TRM50/63INCH	➤	2941783	AFH-IPB50-63-INCH
3240204	TRM50/80INCH	➤	2941784	AFH-IPB50-80-INCH
3240203	TRM63/63INCH	➤	2941785	AFH-IPB63-63-INCH
3240205	TRM80/80INCH	➤	2941786	AFH-IPB80-80-INCH
3240206	TRM80/125INCH	➤	2941787	AFH-IPB80-125-INCH

Heads (continued) • Digital Finishing Heads

OLD / NEW ITEM NUMBERS


TRE-69K - Digital Fine Boring Head Phase Out		➤	IPB-DFH - Digital Finish Boring Head Phase In	
Item Number	ISO Part Number		Item Number	ISO Part Number
2925576	TRE50-69K	➤	2941777	DFH-IPB50-69K



Heads (continued) • Roughing Heads

OLD / NEW ITEM NUMBERS

TS - Double Bit Roughing Head Phase Out		➤	IPB-RH - Rough Boring Head Phase In	
Item Number	ISO Part Number		Item Number	ISO Part Number
3240006	TS16/16	➤	2941825	RH-IPB16-16
3240007	TS20/20	➤	2941826	RH-IPB20-20
3719820	TS25/25	➤	2941827	RH-IPB25-25
3719821	TS32/32	➤	2941828	RH-IPB32-32
3719822	TS40/40	➤	2941829	RH-IPB40-40
3719823	TS50/50	➤	2941830	RH-IPB50-50
3719824	TS50/63	➤	2941831	RH-IPB50-63
3719825	TS63/63	➤	2941832	RH-IPB63-63
3819826	TS80/80	➤	2941833	RH-IPB80-80



Cartridges, Boring Bars, Slides • Standard Finishing Cartridges (C Type Inserts)

OLD / NEW ITEM NUMBERS

SFCC - Finish Cartridge Phase Out		➤	IPB-FH_SCGC - Finish Cartridge Phase In	
Item Number	ISO Part Number		Item Number	ISO Part Number
3240086	SFCC16	➤	2941734	FH-SCGC-06-16-IPB
3240087	SFCC20	➤	2941735	FH-SCGC-06-20-IPB
3240088	SFCC25	➤	2941736	FH-SCGC-06-25-IPB
3240089	SFCC32	➤	2941737	FH-SCGC-06-32-IPB
3240090	SFCC40	➤	2941738	FH-SCGC-09-40-IPB
3240091	SFCC50	➤	2941739	FH-SCGC-09-50-IPB
3095003	SFCC51	➤	2941740	FH-SCGC-12-51-IPB

Cartridges, Boring Bars, Slides • Standard Finishing Cartridges (T Type Inserts)

OLD / NEW ITEM NUMBERS

SFTP - Finish Cartridge Phase Out		➤	IPB-FH-STGP - Finish Cartridge Phase In	
Item Number	ISO Part Number		Item Number	ISO Part Number
3240032	SFTP25	➤	2941741	FH-STGP-09-25-IPB
3240034	SFTP32	➤	2941742	FH-STGP-09-32-IPB
3240084	SFTP40	➤	2941743	FH-STGP-11-40-IPB
3240085	SFTP50	➤	2941744	FH-STGP-11-50-IPB

Cartridges, Boring Bars, Slides (cont.) • Backboring Finishing Cartridges

OLD / NEW ITEM NUMBERS

SSQC - Back Bore Cartridge Phase Out		➤	IPB-FH_SCXC - Back Bore Cartridge Phase In	
Item Number	ISO Part Number		Item Number	ISO Part Number
3240608	SFQC16	➤	2941745	FH-SCXC-06-16-IPB
3240609	SFQC20	➤	2941746	FH-SCXC-06-20-IPB
3240610	SFQC25	➤	2941747	FH-SCXC-06-25-IPB
3240611	SFQC32	➤	2941748	FH-SCXC-06-32-IPB
3240612	SFQC40	➤	2941749	FH-SCXC-09-40-IPB
3240613	SFQC50	➤	2941750	FH-SCXC-09-50-IPB

Cartridges, Boring Bars, Slides (cont.) • Boring Bars Finishing (Heavy Metal)

OLD / NEW ITEM NUMBERS

B5 - Heavy Metal Boring Bar Phase Out		➤	IPB-5X - Heavy Metal Boring Bar Phase In	
Item Number	ISO Part Number		Item Number	ISO Part Number
3240060	B5.06	➤	2941765	IPB-5X-H6-8-W02
3240061	B5.08	➤	2941766	IPB-5X-H8-10-W02
3240062	B5.10	➤	2941767	IPB-5X-H10-12-T09
3240063	B5.12	➤	2941768	IPB-5X-H12-14-T09
3240064	B5.14	➤	2941769	IPB-5X-H14-16-T09
3240065	B5.16	➤	2941770	IPB-5X-H16-18-T09

Cartridges, Boring Bars, Slides (cont.) • Boring Bars Finishing (Carbide)

OLD / NEW ITEM NUMBERS

B8 - Carbide Boring Bar Phase Out		➤	IPB-8X - Carbide Boring Bar Phase In	
Item Number	ISO Part Number		Item Number	ISO Part Number
3240172	B8.06	➤	2941771	IPB-8X-E6-8-W02
3240173	B8.08	➤	2941772	IPB-8X-E8-10-W02
3240174	B8.10	➤	2941773	IPB-8X-E10-12-T09
3240175	B8.12	➤	2941774	IPB-8X-E12-14-T09
3240176	B8.14	➤	2941775	IPB-8X-E14-16-T09
3240177	B8.16	➤	2941776	IPB-8X-E16-18-T09

Cartridges, Boring Bars, Slides (cont.) • Boring Bar Sleeve Finishing

OLD / NEW ITEM NUMBERS

P20.30 Phase Out		➤	IPB-FH_SLV Phase In	
Item Number	ISO Part Number		Item Number	ISO Part Number
3240224	P20.30	➤	2941788	FH-SLV-30-16

Cartridges, Boring Bars, Slides (cont.) • Dovetail Slides Finishing

OLD / NEW ITEM NUMBERS

PS1x.xx - Slide for TRM Phase Out		➤	IPB-FH_SLD for AFH/AFHE (Dovetail) Phase In	
Item Number	ISO Part Number		Item Number	ISO Part Number
3240077	PS11.30	➤	2941789	FH-SLD-30-75
3240078	PS12.30	➤	2941790	FH-SLD-30-93
3240079	PS13.30	➤	2941791	FH-SLD-30-135
3240080	PS11.40	➤	2941792	FH-SLD-40-133
3240081	PS12.40	➤	2941793	FH-SLD-40-200
3240082	PS13.40	➤	2941794	FH-SLD-40-300
3240083	PS14.40	➤	2941795	FH-SLD-40-400

Cartridges, Boring Bars, Slides (cont.) • Dovetail Posts Finishing

OLD / NEW ITEM NUMBERS

P0x.xx Holders for TRM Phase Out		➤	IPB-FH_SLDE for AFH/AFHE (Dovetail) Phase In	
Item Number	ISO Part Number		Item Number	ISO Part Number
3240217	P02.30	➤	2941796	FH-SLDE-30-40
3240218	P03.30	➤	2941797	FH-SLDE-30-70
3240219	P04.30	➤	2941798	FH-SLDE-30-115
3240220	P02.40	➤	2941799	FH-SLDE-40-69
3240221	P03.40	➤	2941800	FH-SLDE-40-114
3240222	P04.40	➤	2941801	FH-SLDE-40-189

Cartridges, Boring Bars, Slides (cont.) • Extension for Cartridges





OLD / NEW ITEM NUMBERS

P25 Phase Out		➤	IPB-FH_SLB Phase In	
Item Number	ISO Part Number		Item Number	ISO Part Number
3240223	P25.63	➤	2941818	FH-SLB-16-53
3240402	P25.105	➤	2941819	FH-SLB-16-95

PS3x.xx - Slide Phase Out		➤	IPB-FH_SLD (Serrated) Phase In	
Item Number	ISO Part Number		Item Number	ISO Part Number
3241064	PS31.24	➤	2941820	FH-SLD-24-75
3241066	PS32.24	➤	2941821	FH-SLD-24-100
3241065	PS31.28	➤	2941822	FH-SLD-28-80
3241066	PS32.28	➤	2941823	FH-SLD-28-108
3241067	PS33.28	➤	2941824	FH-SLD-28-148


Kits • Analog Finishing

OLD / NEW ITEM NUMBERS

K01 TRM 50 Phase Out		➤	IPB-KIT_AFH50 Phase In		
Item Number	ISO Part Number		Item Number	ISO Part Number	
3726901	K01TRM50	➤	2941872	KIT AFH-IPB50-50	
2937105	K01TRM50INCH	➤	2941878	KIT AFH-IPB50-50 INCH	
K01 TRM 50/63 - K01 TRM 63/63 Phase Out		➤	IPB-KIT_AFH50/63-KIT_AFH63/63 Phase In		
Item Number	ISO Part Number		Item Number	ISO Part Number	
3726902	K01TRM50/63	➤	2941873	KIT AHF-IPB50-63	
3726903	K01TRM63/63	➤	2941875	KIT AFH-IPB63-63	
2937106	K01TRM50/63 INCH	➤	2941879	KIT AHF-IPB50-63 INCH	
2937107	K01TRM63/63 INCH	➤	2941881	KIT AFH-IPB63-63 INCH	
K01 TRMTRM50/80 - K01 TRM 80/80 Phase Out		➤	IPB-KIT_AFH50/80-KIT_AFH80/80 Phase In		
Item Number	ISO Part Number		Item Number	ISO Part Number	
3240097	K01TRM50/80	➤	2941874	KIT AFH-IPB50-80	
3240098	K01TRM80/80	➤	2941876	KIT AFH-IPB80-80	
3240212	K01TRM50/80 INCH	➤	2941880	KIT AFH-IPB50-80 INCH	
3240213	K01TRM80/80 INCH	➤	2941882	KIT AFH-IPB80-80 INCH	
K03 (TRM 80/125) Phase Out		➤	IPB-KIT_AFH80/125 Phase In		
Item Number	ISO Part Number		Item Number	ISO Part Number	
3240214	K03TRM80/125	➤	2941877	KIT AHF-IPB80-125	

Kits • Digital Finishing

OLD / NEW ITEM NUMBERS

K01 TRE50-IP69K Phase Out		➤	IPB-KIT_DFH Phase In		
Item Number	ISO Part Number		Item Number	ISO Part Number	
3728030	K01TRE50-IP69K	➤	2941883	KIT DFH-IPB50-50-69K	

Accessories (continued) • ER Collet

OLD / NEW ITEM NUMBERS

ER DIN 6499 Phase Out		➤	IPB-ER Collet Phase In	
Item Number	ISO Part Number		Item Number	ISO Part Number
4541258	PE16/ER11M	➤	2941696	ER16.ER11M
4541259	PE20/ER16M	➤	2941697	ER20.ER16M
4541261	PE32/ER25M	➤	2941698	ER32.ER25M
4541262	PE40/ER25	➤	2941699	ER40.ER25
4540841	PE50/ER25	➤	2941700	ER50.ER25
4540842	PE50/ER32	➤	2941701	ER50.ER32
4541263	PE63/ER32	➤	2941702	ER63.ER32

Accessories (continued) • Expanding Pins

OLD / NEW ITEM NUMBERS

MHD Expanding Pins Phase Out		➤	IPB-Expanding Pin Coupling Phase In	
Item Number	ISO Part Number		Item Number	ISO Part Number
7040883	MHD16	➤	2941884	IPB-16
7040884	MHD20	➤	2941885	IPB-20
7040885	MHD25	➤	2941886	IPB-25
7040886	MHD32	➤	2941887	IPB-32
7040887	MHD40	➤	2941888	IPB-40
7040889	MHD50	➤	2941889	IPB-50
7040890	MHD63-80	➤	2941890	IPB-60-80
7040888	MHD50 (RD50/..&TR HEADS)	➤	2941891	IPB50 (RT/AFH/DFH50)

