

### TURNING

# TMODULAR™

#### Square Shanks (External)

Inch: .75, 1.00, 1.25, 1.50"  
Metric: 20, 25, 32, 40 mm

#### Round Bars (Internal)

Inch: Ø .625-2.500"  
Metric: Ø 16-60 mm

#### C-Adapter Bar Sizes

C4, C5, C6

#### C-Adapter Bar Diameters

16, 20, 25, 32, 40 mm

#### C-Adapter Bar Lengths

Steel: 2.5xD, 3xD, 4xD  
Carbide Core: 5xD

#### Head/Insert Styles

Positive:

- » CCMT 21.5/32.5/43
- » DCMT 21.5/32.5
- NEW** » **TCMT 21.5/32.5**
- » VBMT 22/33

Negative:

- NEW** » **CNMG 43** » DNMG 3.53.5
- » CNMX 2.22 » DNMX 2.22
- » CNMX 43.5 » VNMX 2.53
- NEW** » **DNMG 43** » WNMX 2.22

Y-Axis Turning:

- NEW** » **TNMV**
- » **ZNMV-BF**

ID Grooving:

- » **TTIR 2-6**

ID Threading:

- » 16IR/22IR

#### Heads (All)

With or without CoolBurst  
(high pressure thru coolant)



#### External and Internal Modular Shanks for Various Turning Applications

- » Modular system with excellent stability.
- » Featuring 7 new head styles including Y-axis heads for mill-turn applications.
- » New 4xD round shank bars.
- » New square shank holders.
- » New C-Adapter shank holders.



Round Bar

Square Shank

Compatible with  
**TABSORBER™**  
anti-vibration bars

# AHB

TOOLING & MACHINERY

COMPLETE METALWORKING SOLUTIONS

(800) 991-4225

www.ahbinc.com

ISO Certified

customerservice@ahbinc.com

**WINSPEED™**  
ADVANCED MACHINING

ingersoll-imc.com



See it in action! »



# Line of Modular Shanks With Changeable Heads for Various Turning Operations

Ingersoll has introduced a new modular-type-head for changeable holders that is compatible with both external and internal turning applications. The line is available in three modular types: round bar for internal machining, square shank for external machining, and a C-adapter for internal, external and Y-axis machining. Additionally, the current **TModular** head can be mounted to **TModular** shanks, thereby widening the range of applications even further.

The **TModular's** Y-axis turning head provides excellent machining stability and a dramatic productivity increase. The new Y-axis head also demonstrates high performance machining due to its compatibility with Ingersoll's TNMV and ZNMV insert lines.

## Head Changeable TModular Shanks

ROUND BAR	SQUARE SHANK	C-ADAPTER
 <p><b>NEW</b></p> <p><b>TMODULAR</b><sup>™</sup> DTA</p>	 <p><b>NEW</b></p> <p><b>TMODULAR</b><sup>™</sup> DTA</p>	 <p><b>NEW</b></p> <p><b>TMODULAR</b><sup>™</sup> C...DTA</p>



## DTA Round Bar Features

- Round type modular shank for internal turning.
- Compatible with TModular heads.
- Available shank sizes: Ø .625, .750, 1.00, 1.25, 1.50, 2.00, 2.50";  
Ø 16, 20, 25, 32, 40, 50, 60 mm
- One holder for both right and left handed machining.

### DTA-D1.00-4D-E

1                      2                      3                      4

- |  |  |
|--|--|
| 1. TModular connection   | 3. Shank lengths:<br>4xD, 7xD, 10xD, 12xD, 14xD  |
| 2. Round shank sizes:<br>• Inch - Ø .625, .75, 1.00,<br>1.25, 1.50, 2.00, 2.50"<br>• Metric - Ø 16, 20, 25,<br>32, 40, 50, 60 mm | 4. Shank material and<br>coolant hole:<br>E: steel; internal supply type<br>C: carbide; internal supply type |

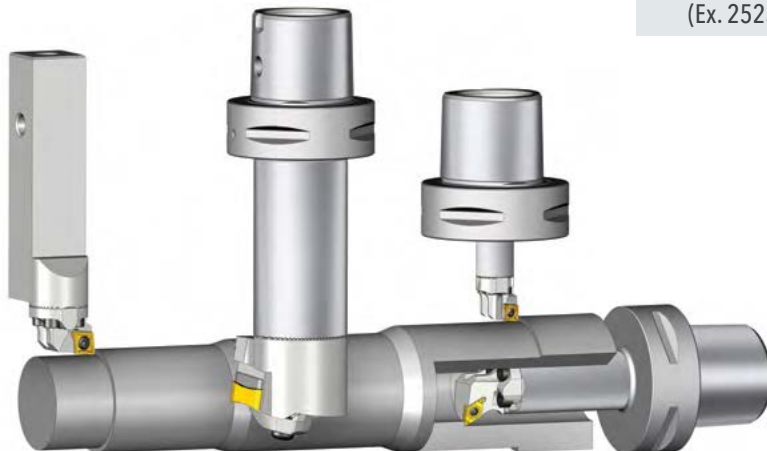
## DTA Square Shank Features

- Square type modular shank for external turning.
- Compatible with TModular heads.
- Available shank sizes: Ø .75, 1.00, 1.25, 1.50";  
Ø 20x20, 25x25, 32x32, 40x40 mm.
- One holder for both right and left handed machining.

### DTA-16N-D25-TB

1                      2                      3                      4                      5

- |  |   |
|--|---|
| 1. TModular connection   | 3. Hand type (N: neutral)                         |
| 2. Square shank sizes:<br>• Inch - 1/16" increments<br>(Ex. 16N = 16/16 or 1.00")<br>• Metric - Height X width<br>(Ex. 2525N = 25 X 25 mm) | 4. Head connection sizes:<br>Ø 20, 25, 32, 40, mm |
|  | 5. CoolBurst<br>(high pressure thru coolant)      |



## C...DTA C-Adapter Bar Features

- C-ADAPTER type modular shank for external, internal and Y-axis turning.
- Compatible with existing TModular heads and the new Y-axis turning heads.
- Available shank diameter sizes: Ø 16, 20, 25, 32, 40 mm.
- One holder for both right and left handed machining.

### C6-DTA-25E-5D

1                      2                      3                      4                      5

- |  |   |
|--|---|
| 1. C-Adapter size                                    | 4. Shank material types:<br>A: Steel, E: Carbide core |
| 2. TModular connection                               | 5. Tool lengths:<br>2.5xBD, 3xBD, 4xBD, 5xBD          |
| 3. C-Adapter shank sizes:<br>Ø 16, 20, 25, 32, 40 mm |   |

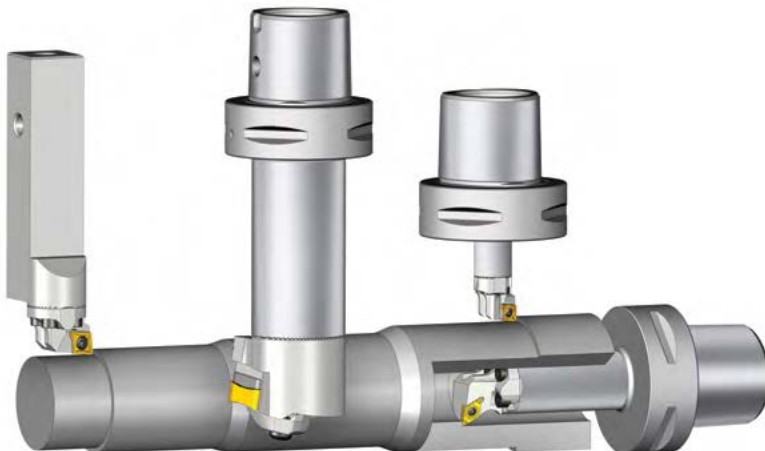
## DTC Head Features

- A variety of types for internal, external, grooving, and threading operations.
- Compatible with TModular shanks.
- Available head sizes: Ø 16, 20, 25, 32, 40 mm.
- Right and left hand options available.

















### DTC-D25-SCLCR-09

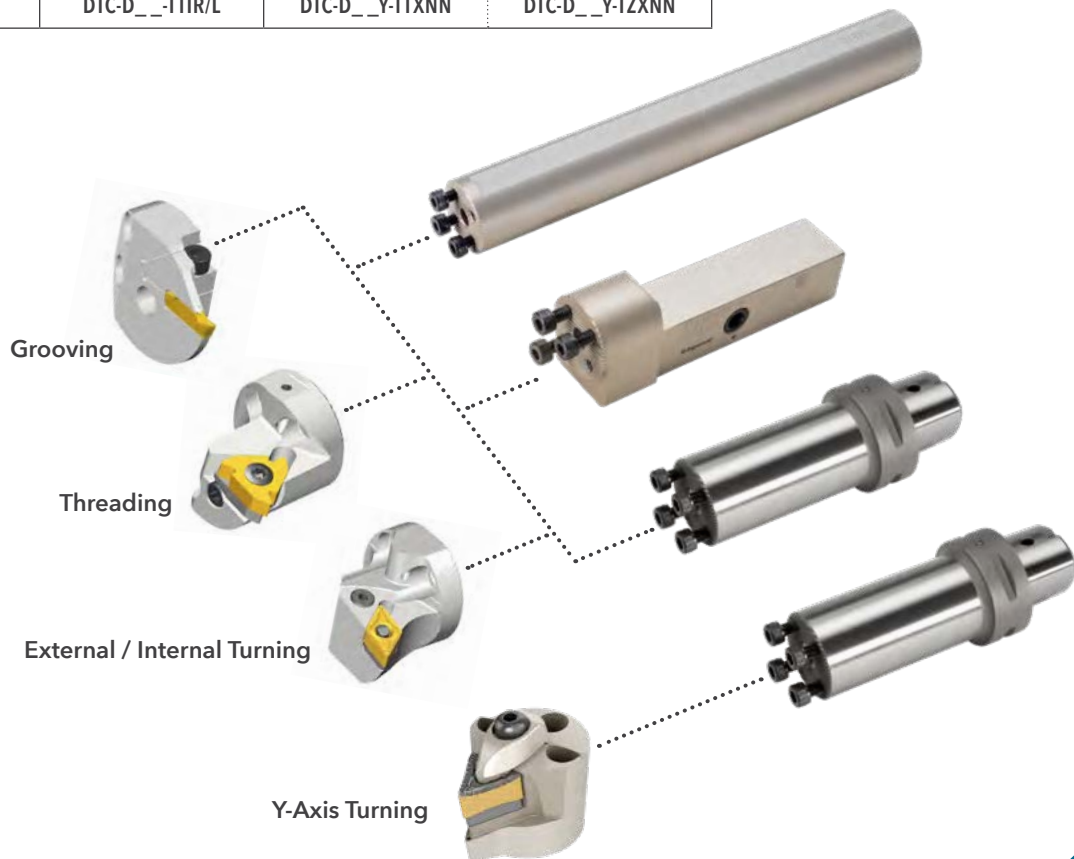
1                      2                      3                      4

- |  |
|--|
| 1. TModular head                                     |
| 2. Head connection sizes:<br>Ø 16, 20, 25, 32, 40 mm |
| 3. Head type (same as standard boring bars)          |
| 4. Insert IC size (ISO)                              |



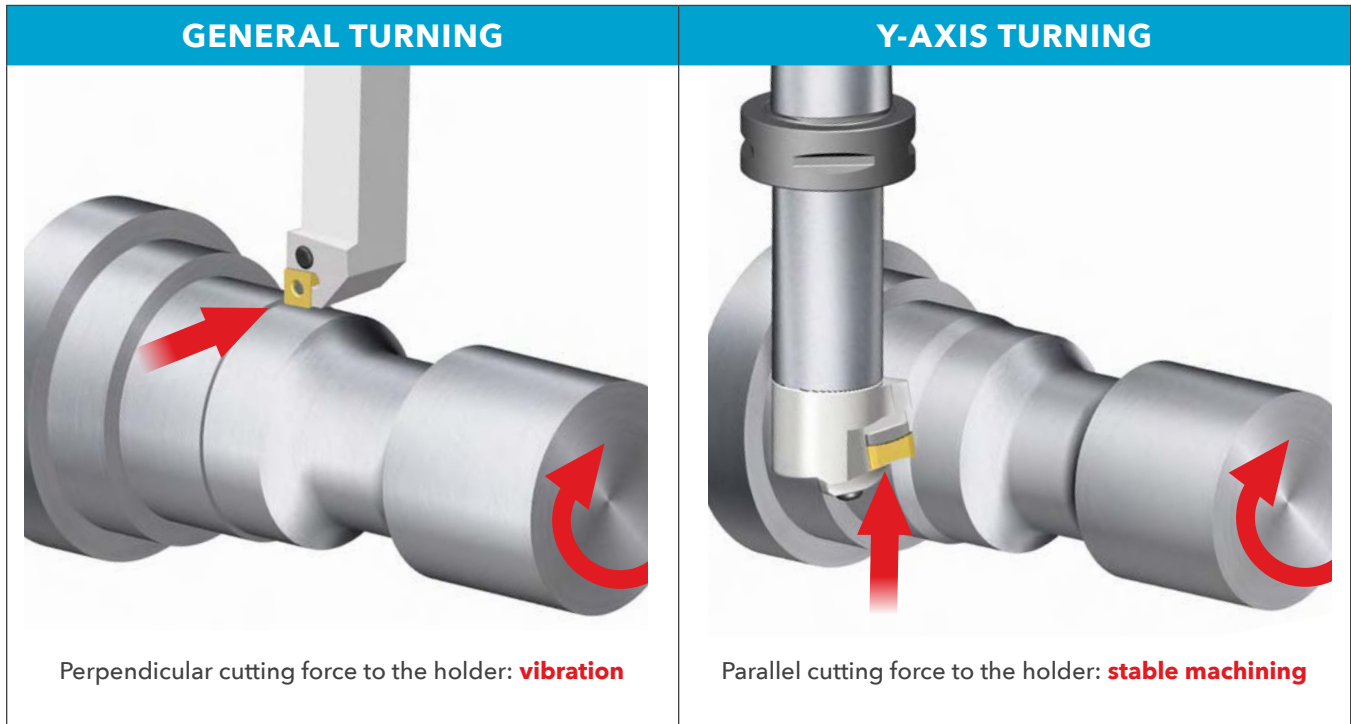
## Heads by Application

For external and internal turning					
 <b>TMODULAR</b> DTC-D__HCLNR/L	 <b>TMODULAR</b> DTC-D__HDUNR/L	 <b>TMODULAR</b> DTC-D__HVUNR/L	 <b>TMODULAR</b> DTC-D__SCLCR/L	 <b>TMODULAR</b> DTC-D__SCLNR/L	 <b>TMODULAR</b> DTC-D__SDUCR/L
 <b>TMODULAR</b> DTC-D__SDUNR/L	 <b>TMODULAR</b> DTC-D__STFCR/L	 <b>TMODULAR</b> DTC-D__SVUBR/L	 <b>TMODULAR</b> DTC-D__SWLNR/L	 <b>TMODULAR</b> DTC-D__TCLNR/L	 <b>TMODULAR</b> DTC-D__TDUNR/L
For threading	For grooving	NEW For Y-axis turning			
 <b>TMODULAR</b> DTC-D__SIR/L	 <b>TMODULAR</b> DTC-D__TTIR/L	 <b>TMODULAR</b> DTC-D__Y-TXNN	 <b>TMODULAR</b> DTC-D__Y-TZXNN		



## DTC-D\_\_Y Head Features

- Y-axis turning heads
  - High rigidity head design enables excellent machining stability.

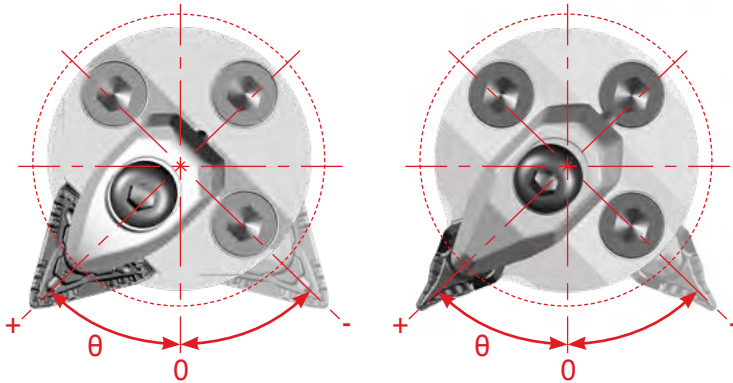


- Excellent chip evacuation design minimizes workpiece damage by chips. Y-axis turning means chips fall to the ground thus avoiding collision with the workpiece.



## DTC-D\_\_Y Head Features (continued)

- Compatible with the TNMV and ZNMV-BF high productivity insert lines.
- Maximize productivity by applying one tool to all turning applications.



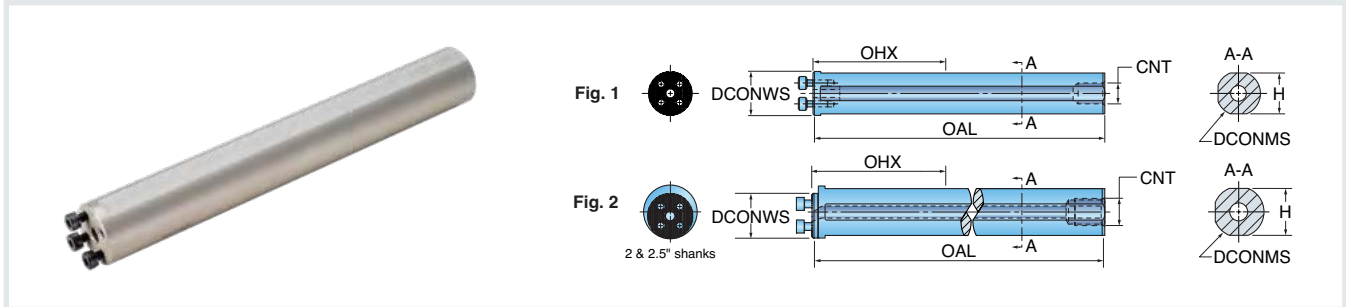
## Various Applications

<b>TNMV</b> inserts and <b>Y-TTXNN</b> holder	Hi-feed backward turning $\theta = 45^\circ$	Profiling $\theta = 45 \sim -45^\circ$	Forward turning $\theta = 45^\circ$	Forward facing $\theta = 45^\circ$
<b>ZNMV</b> inserts and <b>Y-TZXNN</b> holder	Hi-feed backward turning $\theta = 45^\circ$	Undercutting $\theta = 45^\circ$	Grooving and turning $\theta = 0^\circ$	Forward turning $\theta = 20^\circ$






## 4xD • Series DTA-D\_\_

### MODULAR BARS



Part Number	DCONMS Connection Dia. Machine Side	DCONWS Connection Dia. Workpiece Side	OAL Overall Length	OHX Maximum Overhang	H Shank Height	CNT Coolant Entry Thread Size	Fig.	BMC* Body Material Code
<b>INCH</b>								
DTA-D.625-4D-C	.625	16.00 mm	4.21	1.70	.574	3/8-16 UNC-2B	1	Steel
DTA-D.750-4D-C	.750	20.00 mm	5.23	2.30	.677	3/8-24 UNF-2B	1	Steel
DTA-D1.00-4D-C	1.000	25.00 mm	7.20	3.10	.921	1/2-20 UNF-2B	1	Steel
DTA-D1.25-4D-C	1.250	32.00 mm	8.74	3.80	1.142	1/2-20 UNF-2B	1	Steel
DTA-D1.50-4D-C	1.500	40.00 mm	10.75	4.50	1.339	1/2-20 UNF-2B	1	Steel
DTA-D2.00-4D-C	2.000	40.00 mm	14.72	6.50	1.811	1/2-20 UNF-2B	2	Steel
DTA-D2.50-4D-C	2.500	40.00 mm	18.74	8.50	2.283	1/2-20 UNF-2B	2	Steel

### Hardware

Part Number	 Screw	 Wrench	 Seal
DTA-D.625-4D-C	SRM3X10DIN912	L-W2.5	PL062
DTA-D.750-4D-C	SRM3.5XL10-D5.5	L-W2.5	PL075
DTA-D1.00-4D-C	SRM4X12DIN912	L-W3	PL100
DTA-D1.25-4D-C	SRM5X12DIN912	L-W4	PL125
DTA-D1.50-4D-C	SRM6X16DIN912	L-W5	PL150
DTA-D2.00-4D-C	SRM6X16DIN912	L-W5	PL40
DTA-D2.50-4D-C	SRM6X16DIN912	L-W5	PL40

**TABSORBER**

COMPATIBLE

SCAN/CLICK/TAP

to view longer anti-vibration bars:

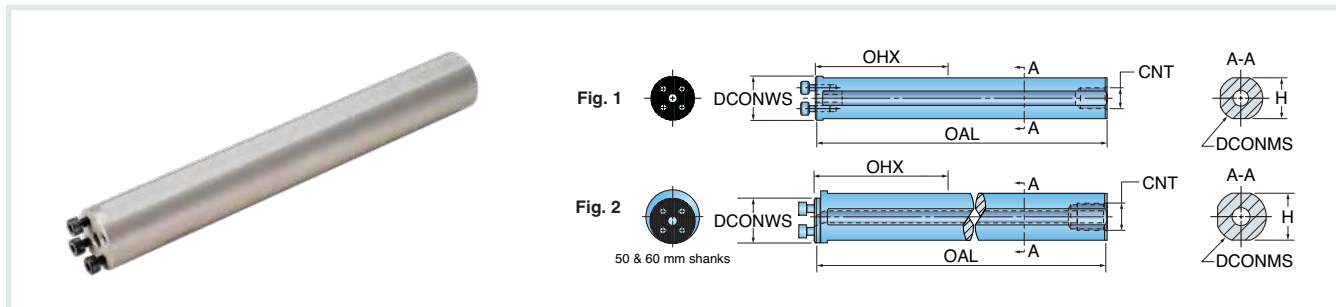









## 4xD • Series DTA-D\_\_

### MODULAR BARS



Part Number	DCONMS Connection Dia. Machine Side	DCONWS Connection Dia. Workpiece Side	OAL Overall Length	OHX Maximum Overhang	H Shank Height	CNT Coolant Entry Thread Size	Fig.	BMC* Body Material Code
<b>METRIC</b>								
DTA-D16-4D-C	16.00 mm	16.00 mm	105.0 mm	44.00 mm	15.00 mm	3/8-16 UNC-2B	1	Steel
DTA-D20-4D-C	20.00 mm	20.00 mm	140.0 mm	60.00 mm	18.00 mm	3/8-24 UNF-2B	1	Steel
DTA-D25-4D-C	25.00 mm	25.00 mm	200.0 mm	80.00 mm	23.00 mm	1/2-20 UNF-2B	1	Steel
DTA-D32-4D-C	32.00 mm	32.00 mm	218.0 mm	96.00 mm	29.00 mm	1/2-20 UNF-2B	1	Steel
DTA-D40-4D-C	40.00 mm	40.00 mm	283.0 mm	128.00 mm	36.00 mm	1/2-20 UNF-2B	1	Steel
DTA-D50-4D-C	50.00 mm	40.00 mm	368.0 mm	168.00 mm	46.00 mm	1/2-20 UNF-2B	2	Steel
DTA-D60-4D-C	60.00 mm	40.00 mm	468.0 mm	208.00 mm	57.00 mm	1/2-20 UNF-2B	2	Steel

### Hardware

Part Number	 Screw	 Wrench	 Seal
DTA-D16-4D-C	SRM3X10DIN912	L-W2.5	PL16
DTA-D20-4D-C	SRM3.5XL10-D5.5	L-W2.5	PL20
DTA-D25-4D-C	SRM4X12DIN912	L-W3	PL25
DTA-D32-4D-C	SRM5X12DIN912	L-W4	PL32
DTA-D40-4D-C	SRM6X16DIN912	L-W5	PL40
DTA-D50-4D-C	SRM6X16DIN912	L-W5	PL40
DTA-D60-4D-C	SRM6X16DIN912	L-W5	PL40

**TABSORBER™**

COMPATIBLE

SCAN/CLICK/TAP

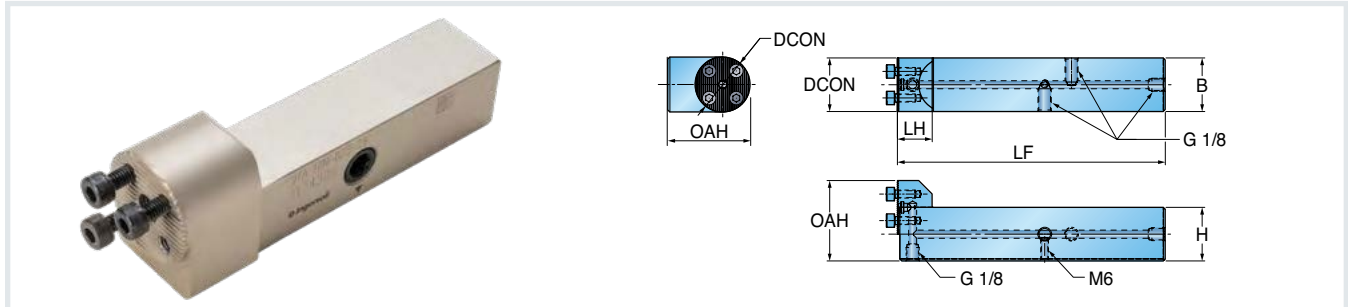
to view longer anti-vibration bars:









## Series DTA-\_\_N

### MODULAR SQUARE SHANKS WITH HIGH PRESSURE COOLANT



Part Number	H Shank Height	B Shank Width	OAH Overall Height	LF Functional Length	LH Head Length	DCON Connection Diameter (mm)
<b>INCH</b>						
DTA-12N-D20-TB	.750	.750	1.146	3.622	.827	20 mm
DTA-12N-D25-TB	.750	.750	1.244	3.622	.827	25 mm
DTA-12N-D32-TB	.750	.750	1.382	3.622	.827	32 mm
DTA-16N-D25-TB	1.000	1.000	1.492	4.213	.827	25 mm
DTA-16N-D32-TB	1.000	1.000	1.630	4.213	.827	32 mm
DTA-16N-D40-TB	1.000	1.000	1.787	4.213	.827	40 mm
DTA-20N-D32-TB	1.250	1.250	1.882	5.984	.827	32 mm
DTA-20N-D40-TB	1.250	1.250	2.039	5.984	1.024	40 mm
DTA-24N-D40-TB	1.500	1.500	2.287	7.874	1.024	40 mm

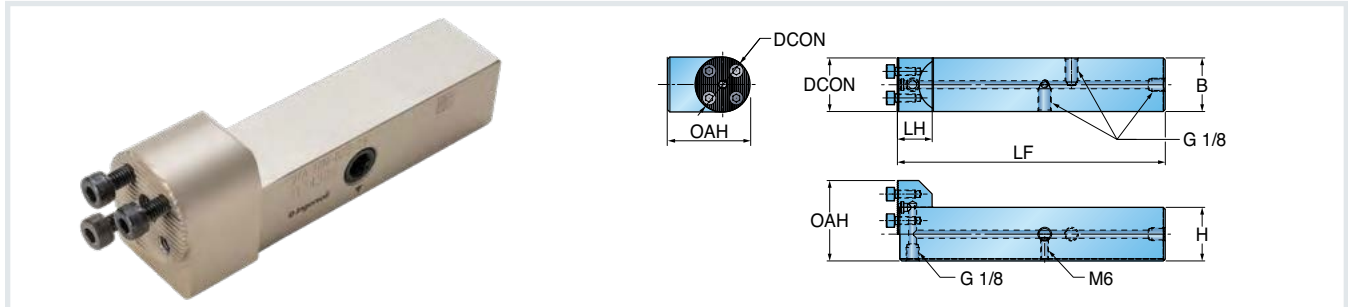
## Hardware

Part Number	 Screw	 Plug	 Plug	 Hex Driver
DTA-12N-D20-TB	SH M3.5X0.6X10	RSS M6	PLG G1/8-L6.5	L-W2.5
DTA-12N-D25-TB	SH M4X0.7X12	RSS M6	PLG G1/8-L6.5	L-W3
DTA-12N-D32-TB	SH M5X0.8X12	RSS M6	PLG G1/8-L6.5	L-W4
DTA-16N-D25-TB	SH M4X0.7X12	RSS M6	PLG G1/8-L6.5	L-W3
DTA-16N-D32-TB	SH M5X0.8X12	RSS M6	PLG G1/8-L6.5	L-W4
DTA-16N-D40-TB	SH M6X1X16	RSS M6	PLG G1/8-L6.5	L-W5
DTA-20N-D32-TB	SH M5X0.8X12	-	PLG G1/8-L6.5	L-W4
DTA-20N-D40-TB	SH M6X1X16	-	PLG G1/8-L6.5	L-W5
DTA-24N-D40-TB	SH M6X1X16	-	PLG G1/8-L6.5	L-W5







## Series DTA-\_\_N

### MODULAR SQUARE SHANKS WITH HIGH PRESSURE COOLANT



Part Number	H Shank Height	B Shank Width	OAH Overall Height	LF Functional Length	LH Head Length	DCON Connection Diameter
<b>METRIC</b>						
DTA-2020N-D20-TB	20 mm	20 mm	30.0 mm	92 mm	21 mm	20 mm
DTA-2020N-D25-TB	20 mm	20 mm	32.5 mm	92 mm	21 mm	25 mm
DTA-2020N-D32-TB	20 mm	20 mm	36.0 mm	92 mm	21 mm	32 mm
DTA-2525N-D25-TB	25 mm	25 mm	37.5 mm	107 mm	21 mm	25 mm
DTA-2525N-D32-TB	25 mm	25 mm	41.0 mm	107 mm	21 mm	32 mm
DTA-2525N-D40-TB	25 mm	25 mm	45.0 mm	107 mm	21 mm	40 mm
DTA-3232N-D32-TB	32 mm	32 mm	48.0 mm	152 mm	21 mm	32 mm
DTA-3232N-D40-TB	32 mm	32 mm	52.0 mm	152 mm	26 mm	40 mm
DTA-4040N-D40-TB	40 mm	40 mm	60.0 mm	200 mm	26 mm	40 mm

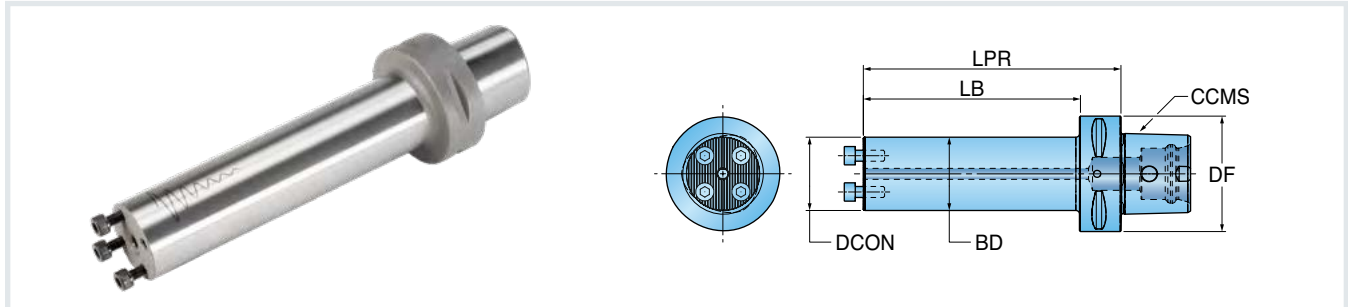
## Hardware

Part Number	 Screw	 Plug	 Plug	 Hex Driver
DTA-12N-D20-TB	SH M3.5X0.6X10	RSS M6	PLG G1/8-L6.5	L-W2.5
DTA-12N-D25-TB	SH M4X0.7X12	RSS M6	PLG G1/8-L6.5	L-W3
DTA-12N-D32-TB	SH M5X0.8X12	RSS M6	PLG G1/8-L6.5	L-W4
DTA-16N-D25-TB	SH M4X0.7X12	RSS M6	PLG G1/8-L6.5	L-W3
DTA-16N-D32-TB	SH M5X0.8X12	RSS M6	PLG G1/8-L6.5	L-W4
DTA-16N-D40-TB	SH M6X1X16	RSS M6	PLG G1/8-L6.5	L-W5
DTA-20N-D32-TB	SH M5X0.8X12	-	PLG G1/8-L6.5	L-W4
DTA-20N-D40-TB	SH M6X1X16	-	PLG G1/8-L6.5	L-W5
DTA-24N-D40-TB	SH M6X1X16	-	PLG G1/8-L6.5	L-W5



## Series C\_-DTA

### MODULAR C-ADAPTER BARS WITH HIGH PRESSURE COOLANT





Part Number	CCMS Connection Code Machine Side	DCON <sup>(1)</sup> Connection Diameter	LPR Protruding Length	LB Body Length	BD Body Diameter	DF Flange Diameter	BMC <sup>(2)</sup> Body Material Code
<b>METRIC</b>							
C4-DTA-16A-2.5D	C4	16 mm	40 mm	20 mm	16 mm	40 mm	S
C4-DTA-20A-2.5D	C4	20 mm	50 mm	30 mm	20 mm	40 mm	S
C4-DTA-25A-2.5D	C4	25 mm	55 mm	35 mm	25 mm	40 mm	S
C4-DTA-32A-2.5D	C4	32 mm	75 mm	55 mm	32 mm	40 mm	S
C4-DTA-40A-3D	C4	40 mm	80 mm	80 mm	40 mm	40 mm	S
C5-DTA-16A-2.5D	C5	16 mm	40 mm	20 mm	16 mm	50 mm	S
C5-DTA-20A-2.5D	C5	20 mm	50 mm	30 mm	20 mm	50 mm	S
C5-DTA-25A-2.5D	C5	25 mm	55 mm	35 mm	25 mm	50 mm	S
C5-DTA-32A-2.5D	C5	32 mm	75 mm	55 mm	32 mm	50 mm	S
C5-DTA-40A-3D	C5	40 mm	100 mm	80 mm	40 mm	50 mm	S
C6-DTA-16A-2.5D	C6	16 mm	40 mm	18 mm	16 mm	63 mm	S
C6-DTA-16E-5D	C6	16 mm	80 mm	58 mm	16 mm	63 mm	H
C6-DTA-20A-2.5D	C6	20 mm	50 mm	28 mm	20 mm	63 mm	S
C6-DTA-20E-5D	C6	20 mm	100 mm	27 mm	20 mm	63 mm	H
C6-DTA-25A-2.5D	C6	25 mm	65 mm	43 mm	25 mm	63 mm	S
C6-DTA-25E-5D	C6	25 mm	115 mm	93 mm	25 mm	63 mm	H
C6-DTA-32A-3D	C6	32 mm	90 mm	68 mm	32 mm	63 mm	S
C6-DTA-32A-4D	C6	32 mm	125 mm	103 mm	32 mm	63 mm	S
C6-DTA-32E-5D	C6	32 mm	150 mm	128 mm	32 mm	63 mm	H
C6-DTA-40A-3D	C6	40 mm	100 mm	78 mm	40 mm	63 mm	S
C6-DTA-40A-4D	C6	40 mm	140 mm	118 mm	40 mm	63 mm	S
C6-DTA-40E-5D	C6	40 mm	185 mm	163 mm	40 mm	63 mm	H

(1) DCON dimension of bar must match DCONMS dimension of head

(2) S = steel body, H = carbide core

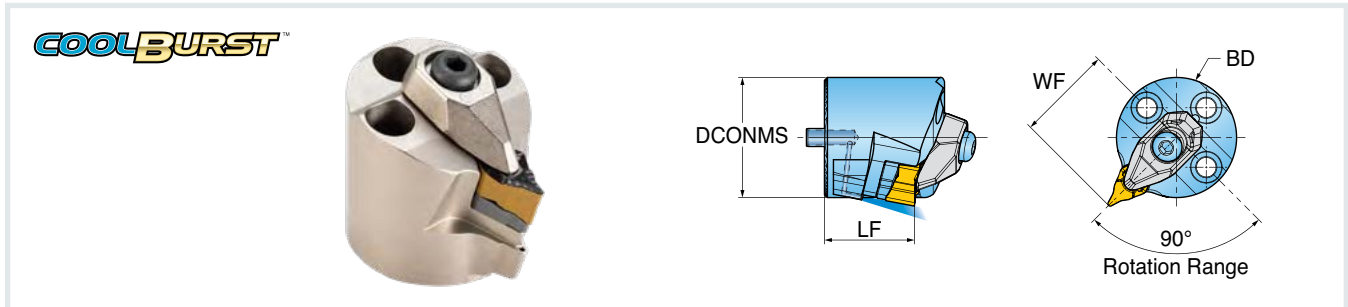
## Hardware

Part Number	 Screw	 Hex Driver
C_-DT16...	SHM3X0.5X10	L-W2.5
C_-DT20...	SHM3.5X0.6X10	L-W2.5
C_-DT25...	SHM4X0.7X12	L-W3
C_-DT32...	SHM5X0.8X12	L-W4
C_-DT40...	SHM6X1X16	L-W5



## Series DTC-TZXNN-TB

### Y-AXIS TURNING HEADS (ZNMV\_Y-BF INSERT) W/ HIGH PRESSURE COOLANT



Approach Angle	Part Number	DCONMS Connection Dia. Machine Side	LF Functional Length	WF Functional Width	BD Body Diameter	Insert*
<b>METRIC</b>						
	DTC-TZXNN-1410-TB	40 mm	30 mm	32 mm	40 mm	ZNMV 3.36.3...Y-BF

\* Use only ZNMV 3.36.3...Y-BF inserts

## Hardware

Part Number							
	Clamp	Clamp Screw	Clamp Spring	Shim	Shim Screw	Hex Driver	Torx Driver
DTC-TZ...3.36.3-TB	DLM 3.3Z-NV	DLS 5	DSP 5	TSZ 140310	TS 35083I/HG	L-W 4	T 10



## Series DTC-TTXNN-TB

### Y-AXIS TURNING HEADS (TNMV INSERT) W/ HIGH PRESSURE COOLANT



Approach Angle	Part Number	DCONMS Connection Dia. Machine Side	LF Functional Length	WF Functional Width	BD Body Diameter	Insert
<b>METRIC</b>						
	DTC-TTXNN-2109-TB	40 mm	30 mm	32 mm	40 mm	TNMV 3.95.7...

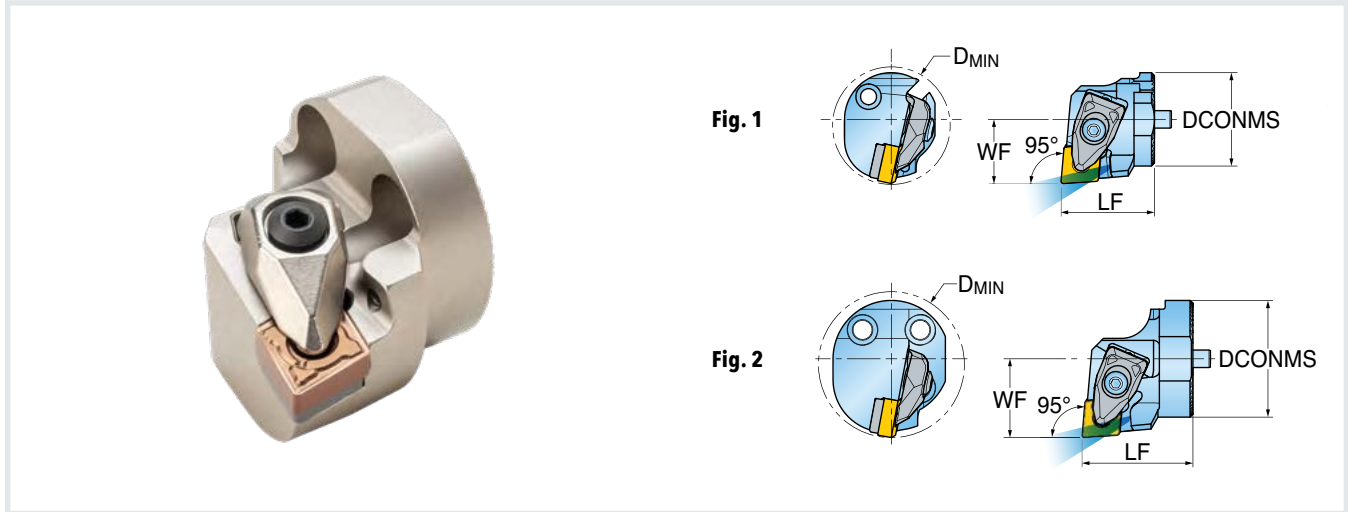
## Hardware

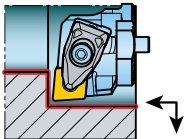
Part Number							
	Clamp	Clamp Screw	Clamp Spring	Shim	Shim Screw	Hex Driver	Torx Driver
DTC-TT...3.95.7-TB	DLM4.4T-NV	DLS 5	DSP 5	TSTV 210510	TS 35083I/HG	L-W 4	T 10





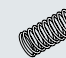


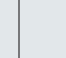


Series DTC-D\_\_TCLNR/L **NEW**

**T-TYPE CLAMPING BORING HEADS (NEGATIVE CN\_G INSERTS)**



Approach Angle	Part Number	DCONMS Connection Dia. Machine Side	LF Functional Length	WF Functional Width	DMIN Minimum Bore Dia.	Fig.	Insert
<b>INCH</b>							
<b>95°</b> 	DTC-D32-TCLNL-12	32.00 mm	1.260	.866	1.575	1	CN_G43...
	DTC-D32-TCLNR-12	32.00 mm	1.260	.866	1.575	1	
	DTC-D40-TCLNL-12	40.00 mm	1.496	1.063	1.968	2	
	DTC-D40-TCLNR-12	40.00 mm	1.496	1.063	1.968	2	

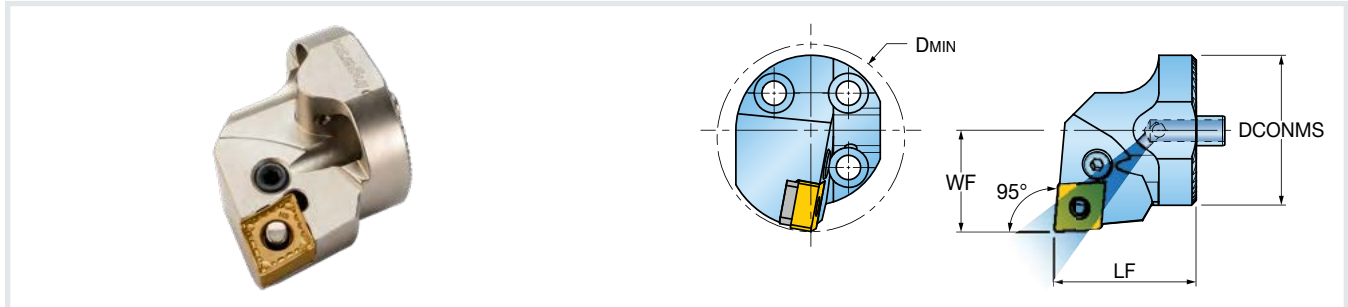
**Hardware**

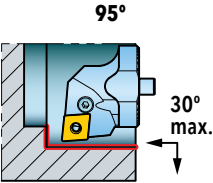
Part Number	 Clamp	 Clamp Screw	 Clamp Spring	 Shim	 Shim Screw	 Coolant Plug	 Driver for Shim Screw	 Wrench for Clamp Screw
DTC-D32-TCLNR/L-12	DLM4	DLS4	DSP4	LSC42	SM50-107-10	SS-M4X0.7X4-NL	DS-T20F	L-W3
DTC-D40-TCLNR/L-12	DLM4	DLS4	DSP4	LSC42	SM50-107-10	SS-M4X0.7X4-NL	DS-T20F	L-W3



## Series DTC-HCLNR



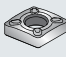



### HOOK LEVER TYPE BORING HEADS (NEGATIVE CNMX INSERTS)



Approach Angle	Part Number	DCONMS Connection Dia. Machine Side	LF Functional Length	WF Functional Width	DMIN Minimum Bore Dia.	Insert
<b>INCH</b>						
95° 	✓ DTC-D40-HCLNR-1205	1.575	1.496	1.063	1.968	CNMX43.5...

✓ Marked: for GoldDuty insert

## Hardware

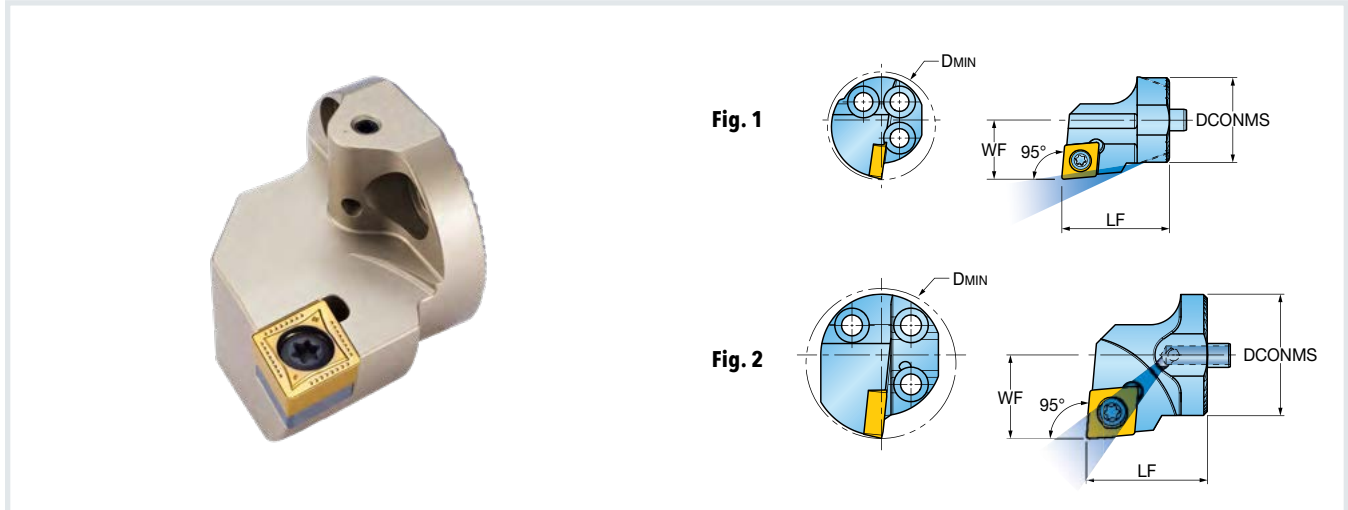
Part Number	 Lever	 Lever Screw	 Shim	 Shim Pin	 Shim Pin Punch	 Wrench
DTC-D40-HCLNR-1205	LCL 12-NX	LCS 5	LSC 42-NXS	LSP 4	SPP 3-4	L-W 3





## Series DTC-SCLCR/L

### SCREW TYPE BORING HEADS (POSITIVE CC\_T INSERTS)



Approach Angle	Part Number	DCONMS Connection Dia. Machine Side	LF Functional Length	WF Functional Width	DMIN Minimum Bore Dia.	Fig.	Insert
<b>INCH</b>							
95° 	DTC-D16-SCLCR/L-06	.630	.787	.433	.787	1	CC_T 21.5...
	DTC-D20-SCLCR/L-09	.787	.787	.512	.984	2	CC_T 32.5...
	DTC-D25-SCLCR/L-09	.984	.787	.664	1.260	2	
	DTC-D32-SCLCR/L-12	1.260	1.260	.866	1.575	2	CC_T 43...
	DTC-D40-SCLCR/L-12	1.575	1.496	1.063	1.968	2	

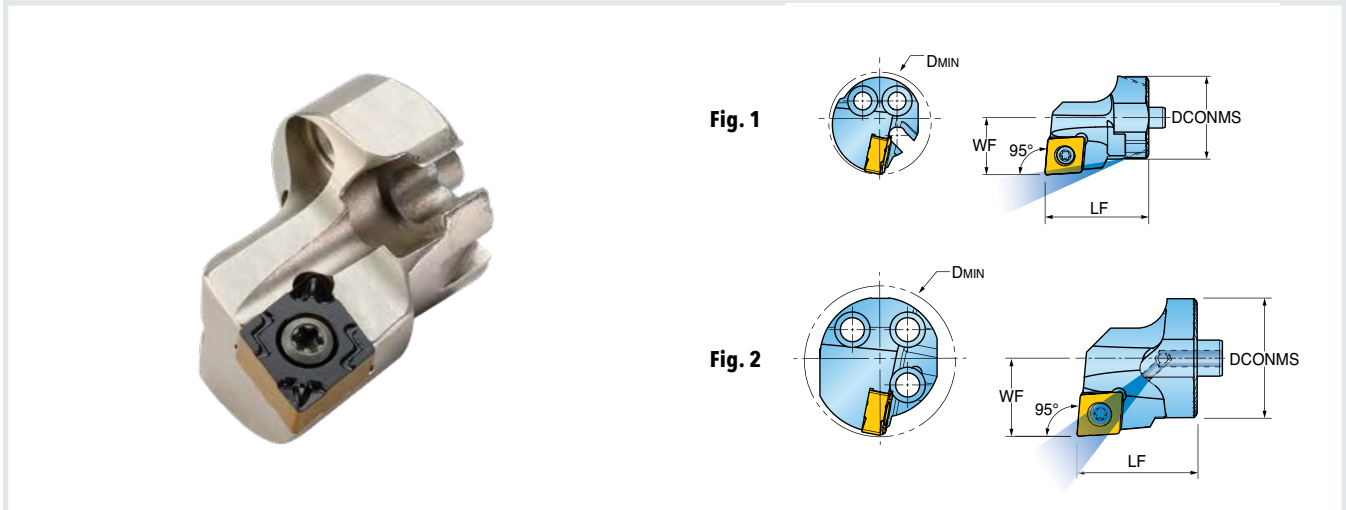
## Hardware

Part Number	Screw	Shim	Shim Screw	Wrench	Wrench
DTC-D16-SCLCR/L-06	SO 250651	-	-	T 7	-
DTC-D20-SCLCR/L-09	SO 350801	-	-	T 15	-
DTC-D25-SCLCR/L-09	SO 350801	-	-	T 15	-
DTC-D32-SCLCR/L-12	SO 451001	-	-	T 20	-
DTC-D40-SCLCR/L-12	SO 451301	SSC 43N	SO 601055	T 20	L-W 5



## Series DTC-SCLNR/L

### SCREW TYPE BORING HEADS (NEGATIVE CNMX INSERTS)



Approach Angle	Part Number	DCONMS Connection Dia. Machine Side	LF Functional Length	WF Functional Width	DMIN Minimum Bore Dia.	Fig.	Insert
<b>INCH</b>							
<p>95°</p>	✓ DTC-D16-SCLNR/L-0703	.630	.787	.433	.787	1	CN_X 2.22...
	✓ DTC-D20-SCLNR/L-0703	.787	.787	.512	.984	2	

✓ Marked: for RhinoTurnM insert

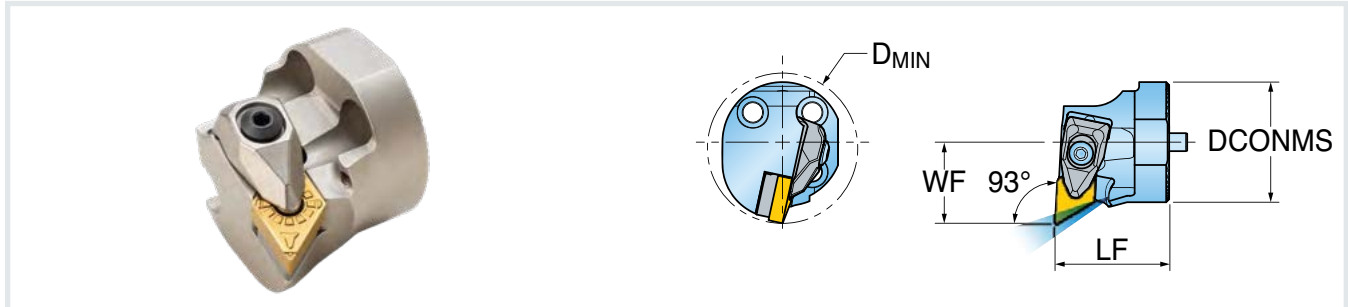
## Hardware

Part Number	Screw	Wrench
DTC-D16-SCLNR/L-0703	SM25-060-90	T7P
DTC-D20-SCLNR/L-0703	SM25-060-90	T7P



## Series DTC-D\_\_TDUNR/L

### T-TYPE CLAMPING BORING HEADS (NEGATIVE DN\_G INSERTS)



Approach Angle	Part Number	DCONMS Connection Dia. Machine Side	LF Functional Length	WF Functional Width	DMIN Minimum Bore Dia.	Insert
<b>INCH</b>						
	DTC-D40-TDUNL-1504	40.00 mm	1.570	1.378	1.968	DN_G43...
	DTC-D40-TDUNR-1504	40.00 mm	1.570	1.063	1.968	

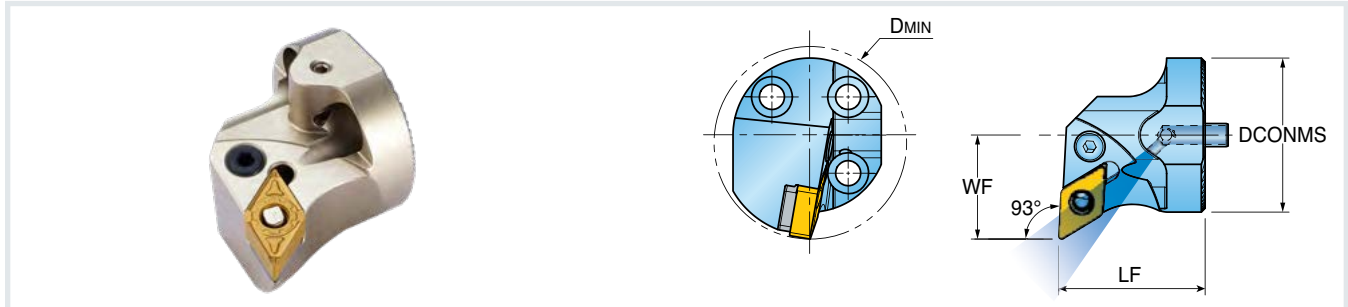
## Hardware

Part Number	Clamp	Clamp Screw	Clamp Spring	Shim	Shim Screw	Coolant Plug	Driver for Shim Screw	Wrench for Clamp Screw
DTC-D40-TDUNL-1504	DLM4	DLS4	DSP4	LSD42	SM50-122-50	SS-M4X0.7X4-NL	DS-T20F	L-W3
DTC-D40-TDUNR-1504	DLM4	DLS4	DSP4	LSD42	SM50-122-50	SS-M4X0.7X4-NL	DS-T20F	L-W3



## Series DTC-HDUNR/L

### HOOK LEVER TYPE BORING HEADS (NEGATIVE DN\_G INSERTS)



Approach Angle	Part Number	DCONMS Connection Dia. Machine Side	LF Functional Length	WF Functional Width	DMIN Minimum Bore Dia.	Insert
<b>INCH</b>						
	✓ DTC-D40-HDUNR/L-1305	1.575	1.496	1.063	1.968	DN_G 3.53.5...

✓ Marked: for RhinoTurn insert

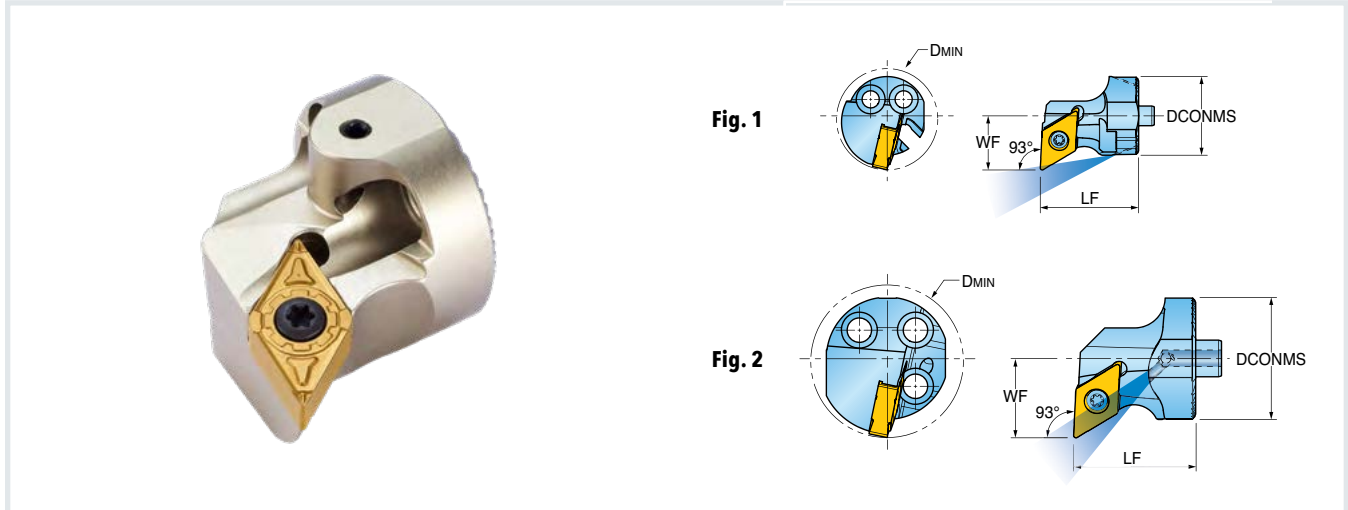
## Hardware

Part Number	Lever	Lever Screw	Shim	Shim Pin	Shim Pin Punch	Wrench
DTC-D40-HDUNR/L-1305	LCL 11-NX	LCS 4S	LSD 3.52B	LSP 4	SPP 3-4	L-W 3



## Series DTC-SDUNR/L

### SCREW TYPE BORING HEADS (NEGATIVE DNMX & DN\_G INSERTS)



Approach Angle	Part Number	DCONMS Connection Dia. Machine Side	LF Functional Length	WF Functional Width	DMIN Minimum Bore Dia.	Fig.	Insert
<b>INCH</b>							
<b>93°</b> 	✓ DTC-D16-SDUNR/L-0803	.630	.787	.433	.787	1	DN_X 2.22...
	✓ DTC-D20-SDUNR/L-0803	.787	.787	.512	.984	2	
	◆ DTC-D32-SDUNR/L-1305	1.260	1.260	.866	1.575	2	DN_G 3.53.5...

✓ Marked: for RhinoTurnM insert

◆ Marked: for RhinoTurn insert

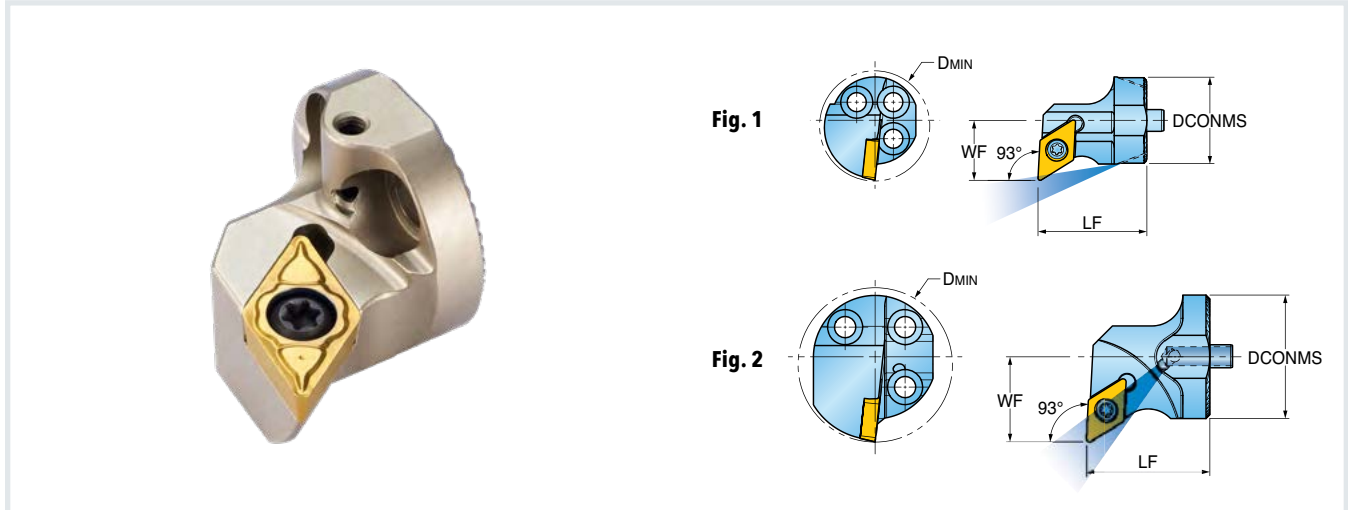
## Hardware

Part Number	Screw	Wrench
DTC-D16-SDUNR/L-0803	SM25-060-90	T 7P
DTC-D20-SDUNR/L-0803	SM25-060-90	T 7P
DTC-D32-SDUNR/L-1305	SM40-110-00	T 15



## Series DTC-SDUCR/L

### SCREW TYPE BORING HEADS (POSITIVE DC\_T INSERTS)



Approach Angle	Part Number	DCONMS Connection Dia. Machine Side	LF Functional Length	WF Functional Width	DMIN Minimum Bore Dia.	Fig.	Insert
<b>INCH</b>							
<b>93°</b> 	DTC-D16-SDUCR/L-07	.630	.787	.433	.787	1	DC_T 21.5...
	DTC-D20-SDUCR/L-11	.787	.787	.512	.984	2	DC_T 32.5...
	DTC-D25-SDUCR/L-11	.984	.787	.668	1.260	2	
	DTC-D32-SDUCR/L-11	1.260	1.260	.866	1.575	2	
	DTC-D40-SDUCR/L-11	1.575	1.496	1.063	1.968	2	

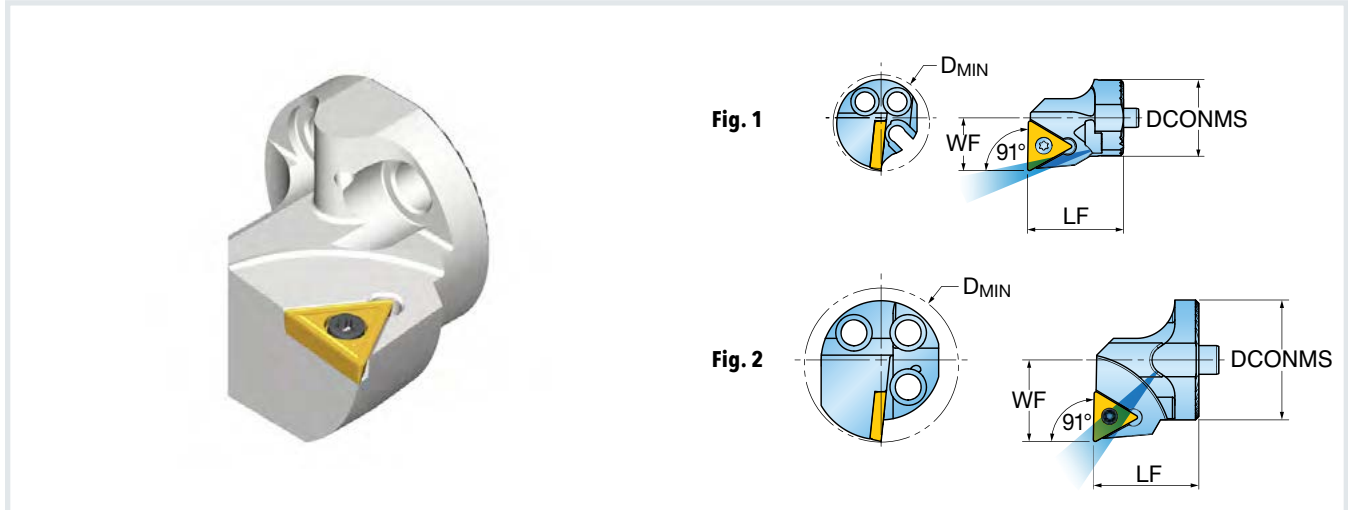
## Hardware

Part Number	Screw	Shim	Shim Screw	Wrench	Wrench
DTC-D16-SDUCR/L-07	SO 250651	-	-	T 7	-
DTC-D20-SDUCR/L-11	SO 350801	-	-	T 15	-
DTC-D25-SDUCR/L-11	SO 350801	-	-	T 15	-
DTC-D32-SDUCR/L-11	SO 350801	-	-	T 15	-
DTC-D40-SDUCR/L-11	SO 351241	SSD 32	SO 500905	T 15	L-W 3.5



Series DTC-D\_\_STFCR/L **NEW**

**SCREW TYPE BORING HEADS (POSITIVE TCMT INSERTS)**



Approach Angle	Part Number	DCONMS Connection Dia. Machine Side	LF Functional Length	WF Functional Width	DMIN Minimum Bore Dia.	Fig.	Insert
<b>INCH</b>							
<b>91°</b> 	DTC-D16-STFCR/L-11	16 mm	.787	.433	.787	1	TC__21.5_
	DTC-D20-STFCR/L-11	20 mm	.787	.512	.984	2	
	DTC-D25-STFCR/L-11	25 mm	.866	.669	1.260	2	
	DTC-D32-STFCR/L-16	32 mm	1.260	.866	1.575	2	TC__32.5_
	DTC-D40-STFCR/L-16	40 mm	1.496	1.063	1.969	2	

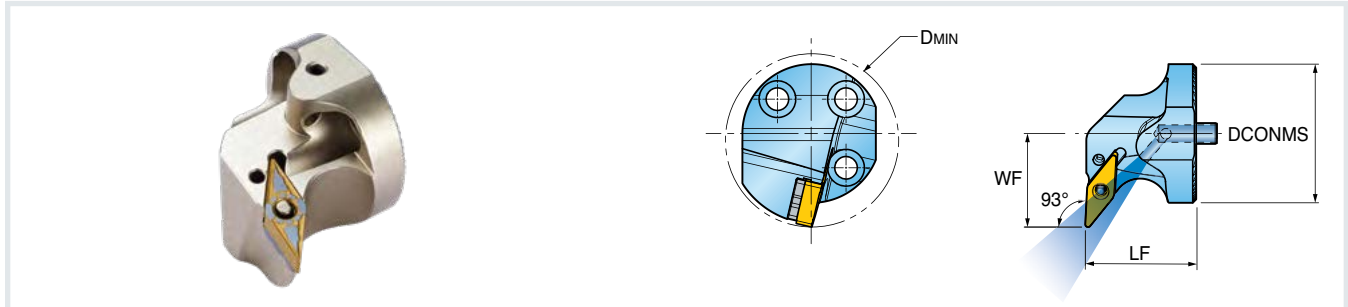
**Hardware**

Part Number	Insert Screw	Driver for Insert Screw	Shim	Shim Screw	Wrench for Shim Screw
DTC-D16-STFCR/L-11	SM25-065-70	DS-T07F	-	-	-
DTC-D20-STFCR/L-11	SM25-065-70	DS-T07F	-	-	-
DTC-D25-STFCR/L-11	SM25-065-70	DS-T07F	-	-	-
DTC-D32-STFCR/L-16	S035124I	DS-T15F	SST32	S050090S	DS-H035T
DTC-D40-STFCR/L-16	S035124I	DS-T15F	SST32	S050090S	DS-H035T



## Series DTC-HVUNR/L

### HOOK LEVER TYPE BORING HEADS (NEGATIVE VNMX INSERTS)



Approach Angle	Part Number	DCONMS Connection Dia. Machine Side	LF Functional Length	WF Functional Width	DMIN Minimum Bore Dia.	Insert
<b>INCH</b>						
	✓ DTC-D40-HVUNR/L-1304	1.575	1.256	1.063	1.968	VN_X 2.53...

✓ Marked: for RhinoTurn insert

## Hardware

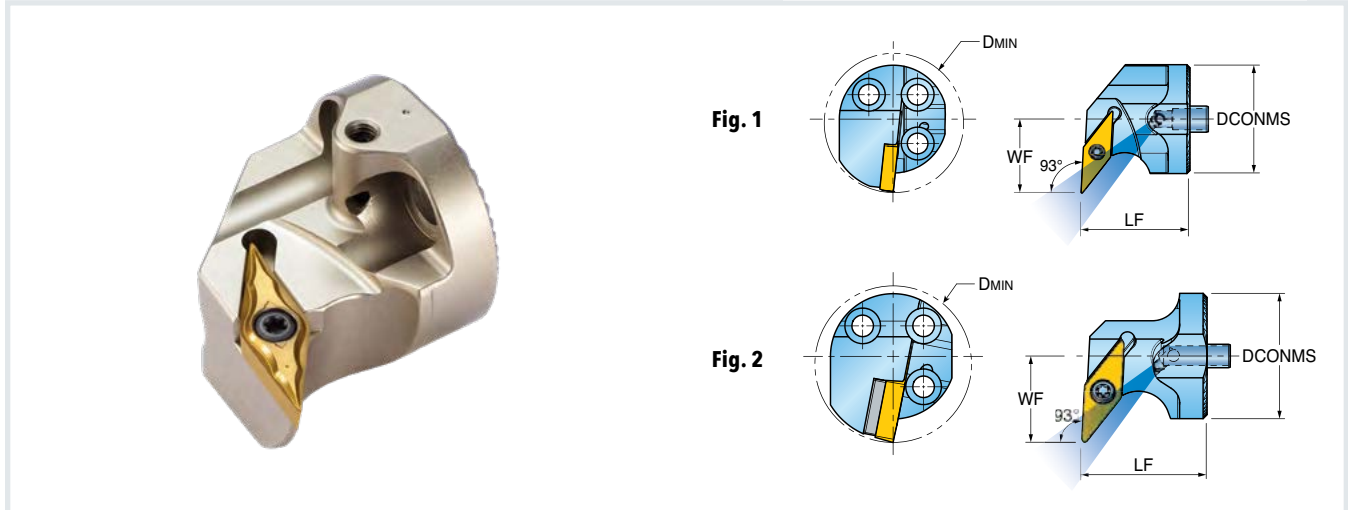
Part Number	Lever	Lever Screw	Shim	Shim Pin	Shim Pin Punch	Wrench
DTC-D40-HVUNR/L-1304	LCL 08-NX	LCS 4-DH	LSV 2.51.8H	LSP 3B	SPP 3-3L	L-W 2.5





## Series DTC-SVUBR/L

### SCREW TYPE BORING HEADS (POSITIVE VB\_T INSERTS)



Approach Angle	Part Number	DCONMS Connection Dia. Machine Side	LF Functional Length	WF Functional Width	DMIN Minimum Bore Dia.	Fig.	Insert
<b>INCH</b>							
<b>93°</b> 	DTC-D20-SVUBR/L-11	.787	.787	.630	1.063	1	VB_T22...
	DTC-D25-SVUBR/L-11	.984	.984	.670	1.220	1	
	DTC-D32-SVUBR/L-16	1.260	1.260	.866	1.575	2	VB_T33...
	DTC-D40-SVUBR/L-16	1.575	1.260	1.063	1.968	2	

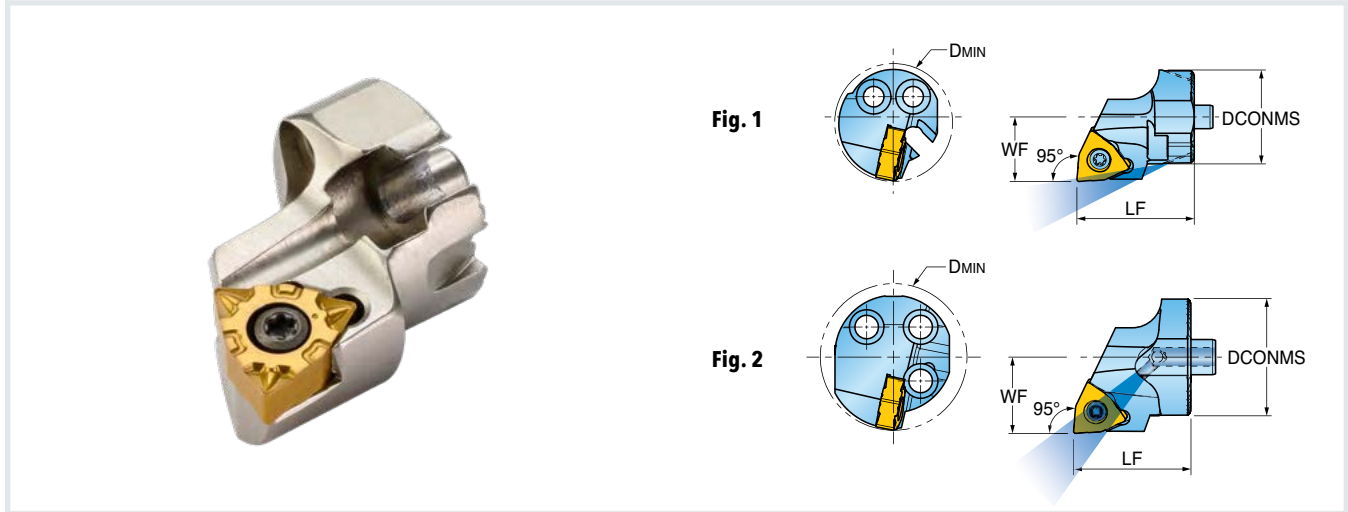
## Hardware

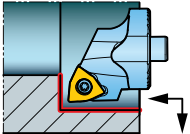
Part Number	Screw	Shim	Shim Screw	Wrench	Wrench
DTC-D20-SVUBR/L-11	SO 25065I	-	-	T 7	-
DTC-D25-SVUBR/L-11	SO 25065I	-	-	T 7	-
DTC-D32-SVUBR/L-16	SO 35124I	SSV 32	SO 50090S	T 15	L-W 3.5
DTC-D40-SVUBR/L-16	SO 35124I	SSV 32	SO 50090S	T 15	L-W 3.5



## Series DTC-SWLNR/L



### SCREW TYPE BORING HEADS (NEGATIVE WNMX INSERTS)



Approach Angle	Part Number	DCONMS Connection Dia. Machine Side	LF Functional Length	WF Functional Width	DMIN Minimum Bore Dia.	Fig.	Insert
<b>INCH</b>							
 95°	✓ DTC-D16-SWLNR/L-0403	.630	.787	.433	.787	1	WN_X 2.22...
	✓ DTC-D20-SWLNR/L-0403	.787	.787	.512	.984	2	

✓ Marked: for RhinoTurnM insert

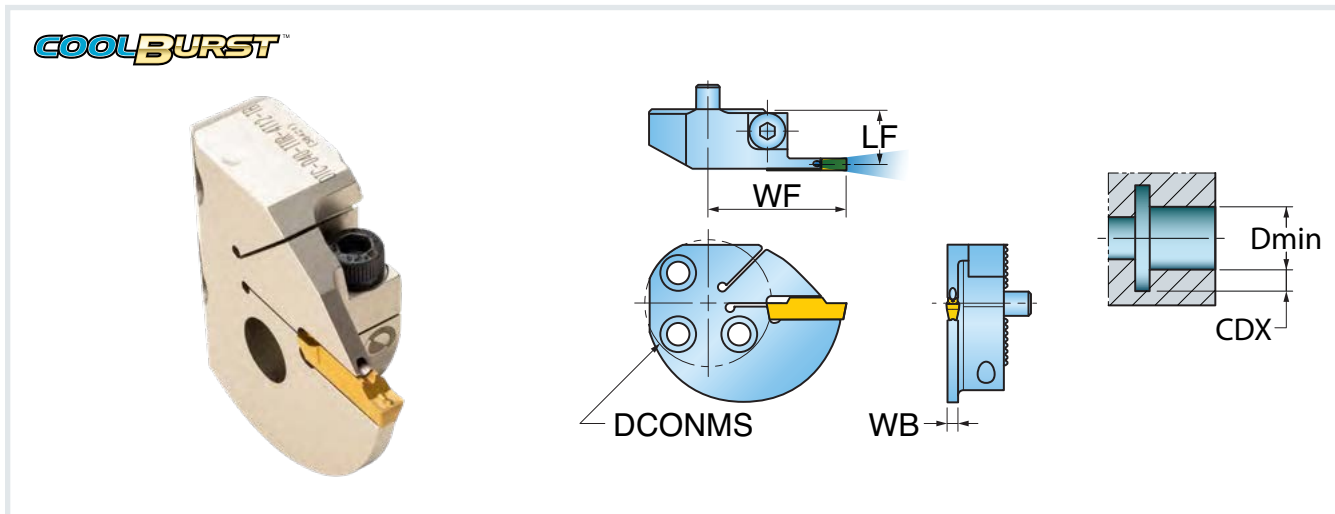
## Hardware

Part Number	 Screw	 Wrench
DTC-D16-SWLNR/L-0403	SM25-060-90	T 7P
DTC-D20-SWLNR/L-0403	SM25-060-90	T 7P



Series DTC-D\_\_TTIR/L-TB **NEW**



**SCREW TYPE BORING HEADS FOR GROOVING AND TURNING (TCLAMP-ULTA+ INSERTS) W/ HIGH PRESSURE COOLANT**



Part Number	SSC Insert Seat Size	DCONMS Connection Dia. Machine Side	LF Functional Length	WF Functional Width	WB Body Width	CDX Cutting Depth Max.	DMIN Minimum Bore Dia.	Insert
<b>INCH</b>								
DTC-D25-TTIR/L-2T12-TB	2	25 mm	.563	1.260	.071	.472	2.283	TDC/J/T TDXU/XT/XC/XY TSC/J TDFU/TFV
DTC-D25-TTIR/L-3T12-TB	3	25 mm	.551	1.260	.094	.472	2.283	
DTC-D32-TTIR/L-2T12-TB	2	32 mm	.563	1.378	.071	.472	2.283	
DTC-D32-TTIR/L-3T12-TB	3	32 mm	.551	1.378	.094	.472	2.283	
DTC-D32-TTIR/L-4T12-TB	4	32 mm	.539	1.378	.118	.472	2.283	
DTC-D32-TTIR/L-5T17-TB	5	32 mm	.594	1.575	.154	.669	2.283	
DTC-D40-TTIR/L-3T12-TB	3	40 mm	.551	1.516	.094	.472	2.362	
DTC-D40-TTIR/L-4T12-TB	4	40 mm	.539	1.516	.118	.472	2.362	
DTC-D40-TTIR/L-5T17-TB	5	40 mm	.594	1.693	.154	.669	2.520	
DTC-D40-TTIR/L-6T17-TB	6	40 mm	.575	1.693	.193	.669	2.520	

**SEE NEXT PAGE FOR RECOMMENDED CUTTING CONDITIONS**

**Hardware**

Part Number	 Screw	 Hex Driver
DTC-D...TTIR/L-TB	SHM5x0.8x16	L-W4



Series DTC-D\_\_TTIR/L-TB (continued) **NEW**

**RECOMMENDED CUTTING CONDITIONS » CARBON STEEL: 1045**

TAbsorber Shank	Cutting Conditions	TAbsorber Head				
		DTC-D25-TTIR/L-2T12-TB	DTC-D25-TTIR/L-3T12-TB	DTC-D32-TTIR/L-4T12-TB	DTC-D32-TTIR/L-5T17-TB	DTC-D40-TTIR/L-6T17-TB
DTA-...-7D	Vc (SFM)	260-330	200-260	200-260	130-165	130-165
	fn (ipr)	.004-.005	.004-.005	.003-.004	.003-.004	.003-.004
DTA-...-10D	Vc (SFM)	130-165	130-165	130-165	130-165	80-100
	fn (ipr)	.003-.004	.003-.004	.003-.004	.003-.004	.003-.004

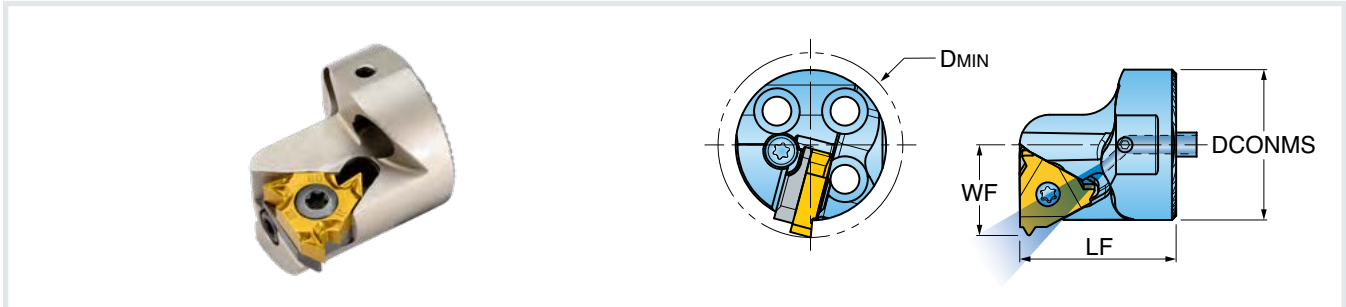
**RECOMMENDED CUTTING CONDITIONS » ALLOY STEEL: 4140**

TAbsorber Shank	Cutting Conditions	TAbsorber Head				
		DTC-D25-TTIR/L-2T12-TB	DTC-D25-TTIR/L-3T12-TB	DTC-D32-TTIR/L-4T12-TB	DTC-D32-TTIR/L-5T17-TB	DTC-D40-TTIR/L-6T17-TB
DTA-...-7D	Vc (SFM)	260-330	200-260	200-260	130-165	100-130
	fn (ipr)	.004-.005	.004-.005	.003-.004	.003-.004	.003-.004
DTA-...-10D	Vc (SFM)	130-165	130-165	100-130	100-130	80-100
	fn (ipr)	.003-.004	.003-.004	.003-.004	.003-.004	.003-.004








## Series DTC-SIR/L

### SCREW TYPE BORING HEADS (LAYDOWN THREADING INSERTS)



Part Number	DCONMS Connection Dia. Machine Side	LF Functional Length	WF Functional Width	DMIN Minimum Bore Dia.	Insert
<b>INCH</b>					
DTC-D25-SIR/L-16	.984	1.024	.638	1.142	161R/L
DTC-D32-SIR/L-16	1.260	1.063	.776	1.417	
DTC-D40-SIR/L-16	1.575	1.181	.433	1.733	
DTC-D32-SIR/L-22	1.260	1.260	.850	1.417	221R/L
DTC-D40-SIR/L-22	1.575	1.496	1.008	1.811	

## Hardware

Part Number	 Anvil Ext.L/Int.R	 Anvil Ext.R/Int.L	 Anvil Screw	 Wrench	 Screw
DTC-D25-SIR-16	A16	-	A16	T-10/5	S16
DTC-D25-SIL-16	-	AE16	A16	T-10/5	S16
DTC-D32-SIR-16	A16	-	A16	T-10/5	S16
DTC-D32-SIL-16	-	AE16	A16	T-10/5	S16
DTC-D40-SIR-16	A16	-	A16	T-10/5	S16
DTC-D40-SIL-16	-	AE16	A16	T-10/5	S16
DTC-D32-SIR-22	A22	-	A22	T-20/5	S22
DTC-D32-SIL-22	-	AE22	A22	T-20/5	S22
DTC-D40-SIR-22	A22	-	A22	T-20/5	S22
DTC-D40-SIL-22	-	AE22	A22	T-20/5	S22