

EROS TOOLHOLDING SYSTEM

PREMIER ON-SIZE CHUCKING FOR EXTREME PERFORMANCE

ENHANCED DESIGN & PERFORMANCE

- Patented collet/nut design for unmatched holding force
- Balanced at speeds over 30,000 RPM
- System accuracy of 3 microns at 3XD

MAXIMUM VERSATILITY & PRODUCTION

- High rigidity and accuracy allows for increased repeatability
- Maximum machining results across multiple applications
- Perfect for milling, drilling, reaming, and grinding

COST EFFECTIVE & SIMPLE-TO-USE

- Low start up cost
- No peripheral set-up equipment
- Best price-to-performance ratio available compared to other high performance hydraulics or heat shrink systems.

TOOLING TO MEET YOUR NEEDS

TOOLHOLDERS

- BT30/40
- CAT40/50
- HSKE32/40
- HSKA32/40/50/63/100
- HSKF63

COLLETS

- Eros 2 Micron standard Collet
- Eros 2 Micron Coolant Sealed Collet
- Eros 2 Micron Coolant Jet Collet

ACCESSORIES

- Mini And Standard EROS Nuts
- Roller Bearing Clamping Wrenches
- EROS Torque Wrenches

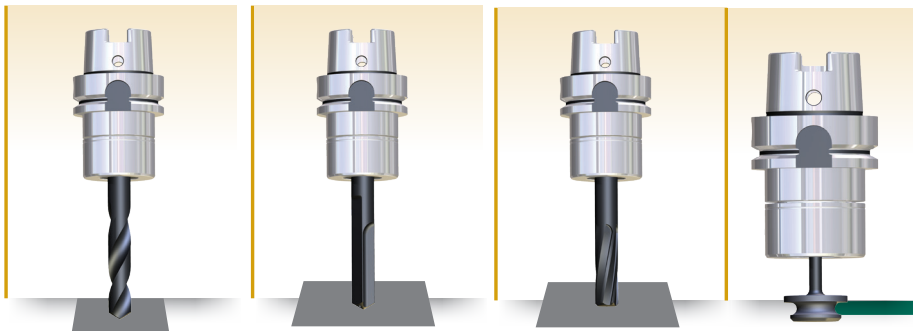
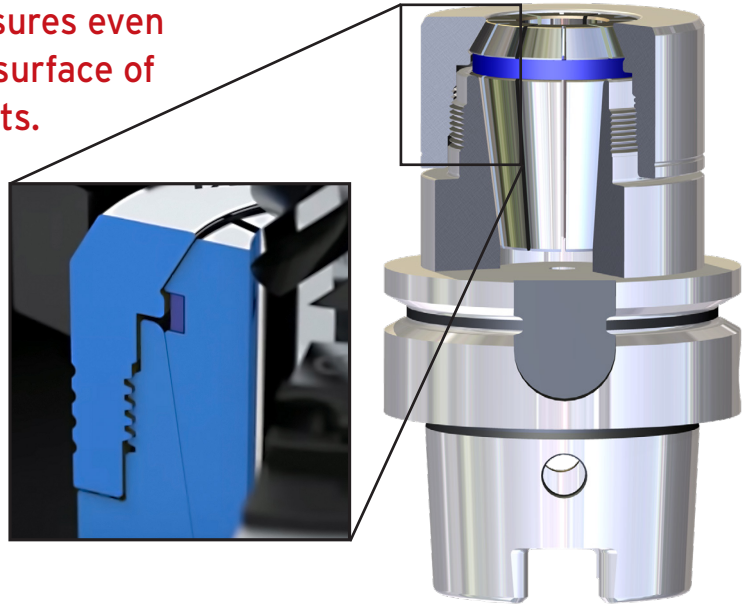
EROS



THE EROS TOOLHOLDING SYSTEM IS SPECIFICALLY ENGINEERED TO CREATE THE TIGHTEST TOLERANCES IN ORDER TO ACHIEVE MAXIMUM PERFORMANCE IN HIGH SPEED APPLICATIONS.

The machined precision of each component ensures even distribution of clamping forces over the entire surface of the cutting tool for unmatched machining results.

- Eros collets feature a specially formulated corrosion coating and trapezoidal thread for reduced friction, longer tool life and superior gripping power.
- The piloted nut provides extreme precision and extra reinforcement of the chuck diameter, resulting in maximum rigidity & compactness.
- The extended wall enables the collet to sit completely inside the collet seat for optimal grip force & stability.



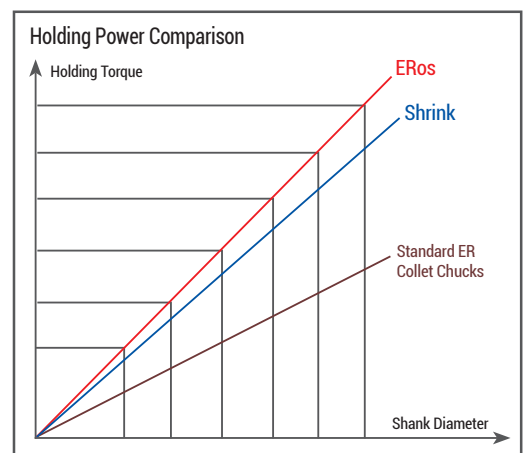
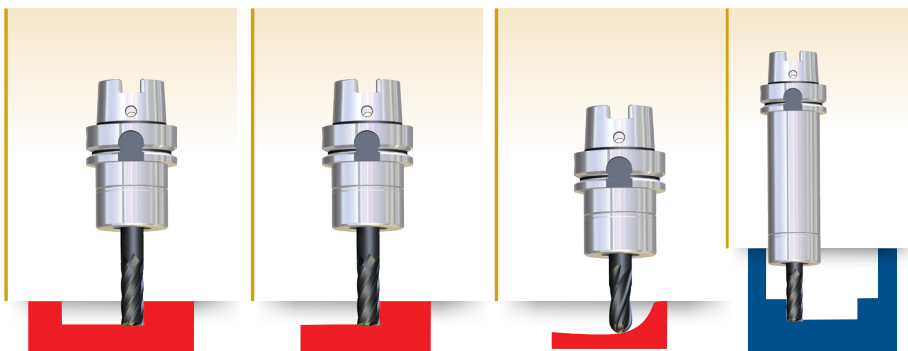
Each factor of design and performance makes the Eros system the most cost effective solution for the most demanding applications.

- Highest quality manufacturing
- Highest stability & low vibration
- Improved production
- Best surface results
- Extended tool life

EROS

WHEN PUT TO THE TEST AGAINST OTHER TOOLHOLDING SYSTEMS, EROS PROVIDE THE BEST HOLDING POWER ON THE MARKET.

DRILLING, REAMING, MILLING AND FORM GRINDING



Parlec is a proud member of Techniks Tool Group.
CNC TOOLING SOLUTIONS
FROM SPINDLE TO WORKPIECE

Connect with Techniks Tool Group:

