

Introducing Extreme Precision

Micron Milling Chucks



ENGINEERED TO THE
HIGHEST LEVELS
OF PRECISION FOR
MAXIMUM GRIP FORCE
AND SUPERIOR ACCURACY.

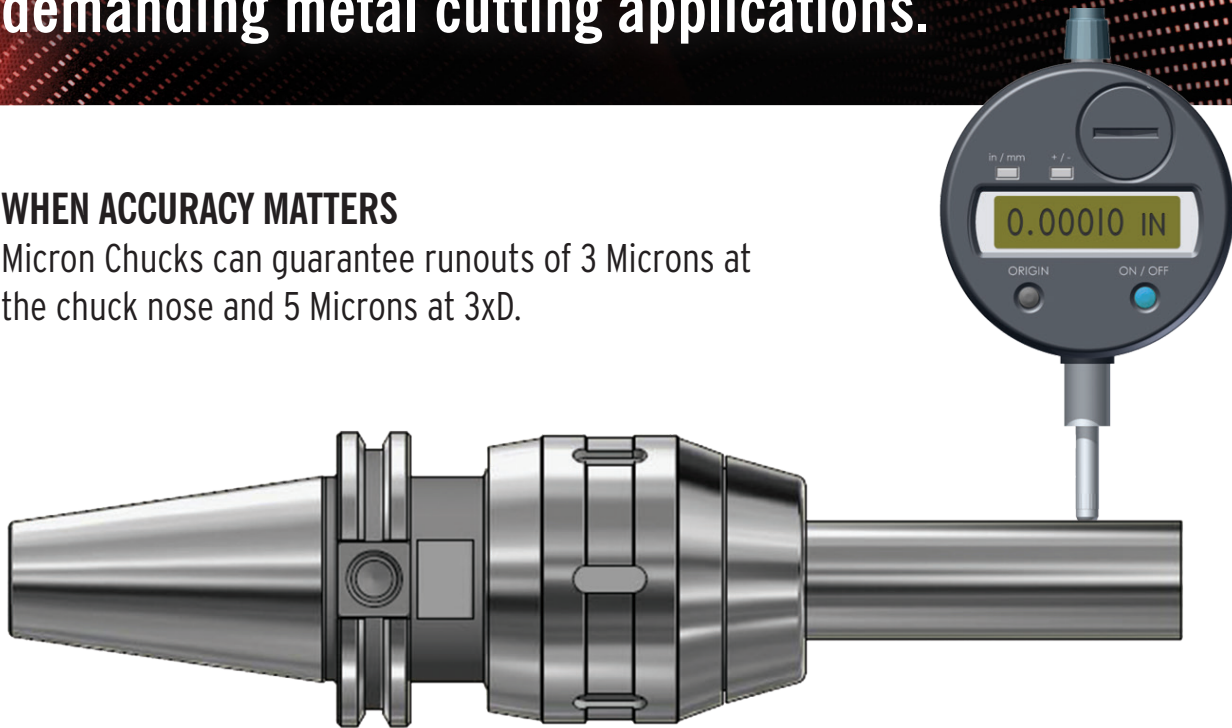
Micron Power Milling Chucks

1 Extreme Precision Milling Solutions

Micron Power Milling Chucks are manufactured to the highest standards, and developed for the most demanding metal cutting applications.

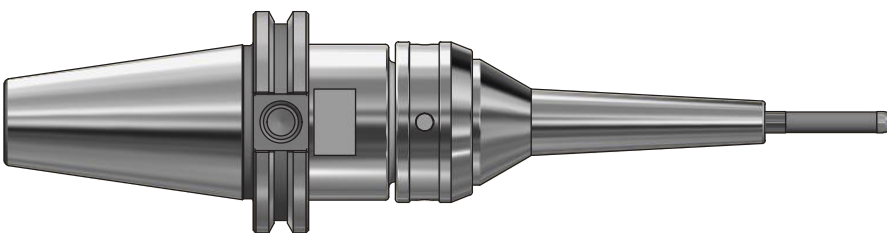
WHEN ACCURACY MATTERS

Micron Chucks can guarantee runouts of 3 Microns at the chuck nose and 5 Microns at 3xD.



“M” SERIES FOR EXTREME REACH AND PRECISION

The M-style mold chuck's narrow-nose design allows for deep, hard-to-reach machining; perfect for cutting deep die molds and any application where reach and clearance demand enhanced precision and performance.



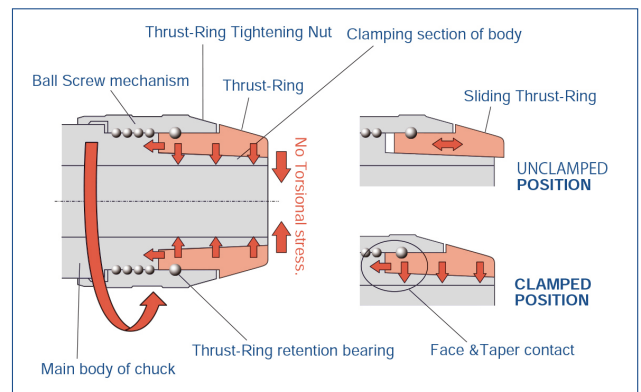
- Standard Micron Chucks balanced up to 10,000 @ G2.5
- M-style Mold Milling Chucks balanced up to 15,000 @ G2.5

World-class engineering and innovative design provide **UNMATCHED ACCURACY AND GRIP FORCE.**

THRUST-RING CLAMPING SYSTEM

The unique face & taper contact between the thrust-ring nut and chuck body is the key to the Micron Milling Chucks unparalleled concentricity and rigidity; delivering higher levels of accuracy and clamping power than other mechanical chucks.

- 4x the clamping force of standard ER collet chucks
- 2x the clamping force of hydraulic toolholders



INNOVATIVE DESIGN

The thrust ring nut clamps tightly against the face & taper of the chuck body, virtually transforming the chuck into a single-piece toolholder.

UNMATCHED CLAMPING POWER

The combination of the thrust ring design and internal ball-screw mechanism provides the high clamping power, distributed evenly over the entire shank of the cutting tool.

IMPROVED PRODUCTIVITY & QUALITY

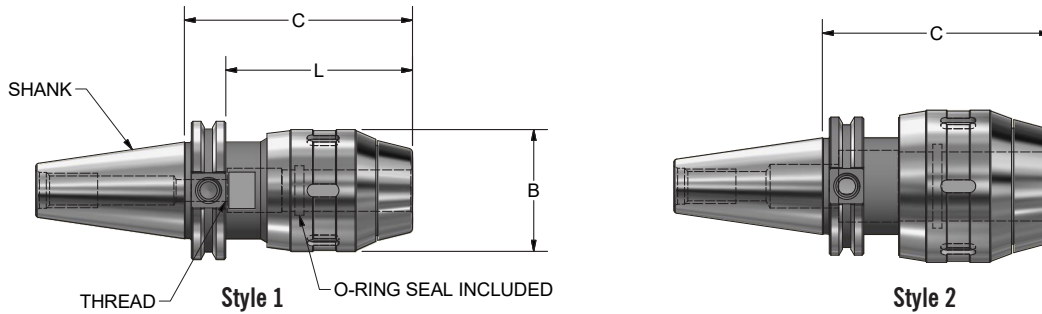
The unique features of Parlec Micron chucks are proven to help improve tool life, surface finish, dimensional accuracy and productivity for all types of heavy duty applications.

MICRON MILLING CHUCKS SIMULFIT HOLDERS ARE OFFICIALLY LICENSED BIG-PLUS® HOLDERS.

**BIG-PLUS® is a registered trademark of Daishowa Seiki Kabushiki Kaisha and that Daishowa Seiki Kabushiki Kaisha does not endorse or sponsor the products of Parlec.*

Micron Power Milling Chucks

3 Micron Milling Chucks



CAT40

Size	Item Number	Description	C	L	B	Thread	Style	
3/4"	74304053	CV40-HPC075-105A	C40 Micron Mill Chuck 3/4" X 4.13"	4.13"	3.87"	2.20"	M10-1	1
	74304054	CV40-HPC075-105F	C40 AD/B Micron Mill Chuck 3/4" X 4.13"	4.13"	3.87"	2.20"	M10-1	1
	74304055	CV40-HPC075-135A	C40 Micron Mill Chuck 3/4" X 5.31"	5.31"	4.68"	2.20"	M10-1	1
1"	74304056	CV40-HPC100-105A	C40 Micron Mill Chuck 1" X 4.13"	4.13"	3.87"	2.44"	M18-1	1
	74304031	CV40-HPC100-135A	C40 Micron Mill Chuck 1" X 5.31"	5.31"	4.68"	2.44"	M18-1	1
1 1/4"	74304057	CV40-HPC125-105A	C40 Micron Mill Chuck 1 1/4" X 4.13"	4.13"	-	2.76"	M18-1	2

CAT40 SIMULFIT (DUAL CONTACT)

Size	Item Number	Description	C	L	B	Thread	Style	
3/4"	74304097	BCV40-HPC075-105A	C40 Simulfit Micron Mill Chuck 3/4" X 4.13"	4.13"	3.87"	2.20"	M10-1	1
	74304157	BCV40-HPC075-135A	C40 Simulfit Micron Mill Chuck 3/4" X 5.31"	5.31"	4.68"	2.20"	M10-1	1
1"	74304098	BCV40-HPC100-105A	C40 Simulfit Micron Mill Chuck 1" X 4.13"	4.13"	3.87"	2.44"	M18-1	1
	74304156	BCV40-HPC100-135A	C40 Simulfit Micron Mill Chuck 1" X 5.31"	5.31"	4.68"	2.44"	M18-1	1
1 1/4"	74304099	BCV40-HPC125-105A	C40 Simulfit Micron Mill Chuck 1 1/4" X 4.13"	4.13"	-	2.76"	M18-1	2

CAT50

Size	Item Number	Description	C	L	B	Thread	Style	
3/4"	74305058	CV50-HPC075-105A	C50 Micron Mill Chuck 3/4" X 4.13"	4.13"	2.75"	2.20"	M10-1	1
	74305059	CV50-HPC075-135A	C50 Micron Mill Chuck 3/4" X 5.31"	5.31"	3.93"	2.20"	M10-1	1
1"	74305060	CV50-HPC100-105A	C50 Micron Mill Chuck 1" X 4.13"	4.13"	2.75"	2.44"	M18-1	1
	74305061	CV50-HPC100-135A	C50 Micron Mill Chuck 1" X 5.31"	5.31"	3.93"	2.44"	M18-1	1
1 1/4"	74305062	CV50-HPC125-105A	C50 Micron Mill Chuck 1 1/4" X 4.13"	5.31"	3.87"	2.76"	M18-1	1
	74305063	CV50-HPC125-135A	C50 Micron Mill Chuck 1 1/4" X 5.31"	4.13"	4.68"	2.76"	M18-1	1

CAT50 SIMULFIT (DUAL CONTACT)

Size	Item Number	Description	C	L	B	Thread	Style	
3/4"	74305100	BCV50-HPC075-105A	C50 Simulfit Micron Mill Chuck 3/4" X 4.13"	4.13"	2.75"	2.20"	M10-1	1
1"	74205007	BCV50-HPC100-105A	C50 Simulfit Micron Mill Chuck 1" X 4.13"	4.13"	2.75"	2.44"	M18-1	1
1 1/4"	74305102	BCV50-HPC125-105A	C50 Simulfit Micron Mill Chuck 1 1/4" X 4.13"	5.31"	3.87"	2.76"	M18-1	1
	74205008	BCV50-HPC125-135A	C50 Simulfit Micron Mill Chuck 1 1/4" X 5.31"	4.13"	4.68"	2.76"	M18-1	1

BT30

Size	Item Number	Description	C	L	B	Thread	Style
3/4"	74203009	BT30-HPC075-100A	BT30 Micron Mill Chuck 3/4" X 3.94"	3.94"	-	2.20"	M10-1 2

BT40

Size	Item Number	Description	C	L	B	Thread	Style
3/4"	74204064	BT40-HPC075-105A	BT40 Micron Mill Chuck 3/4" X 4.13"	4.13"	3.07"	2.20"	M10-1 1
	74204017	BT40-HPC075-120A	BT40 Micron Mill Chuck 3/4" X 4.72"	4.72"	3.66"	2.20"	M10-1 1
1"	74204018	BT40-HPC100-105A	BT40 Micron Mill Chuck 1" X 4.13"	4.13"	3.07"	2.44"	M18-1 1
	74204019	BT40-HPC100-135A	BT40 Micron Mill Chuck 1" X 5.31"	5.31"	4.25"	2.44"	M18-1 1
1 1/4"	74204020	BT40-HPC125-105A	BT40 Micron Mill Chuck 1 1/4" X 4.13"	5.31"	-	2.76"	M18-1 2
	74204021	BT40-HPC125-135A	BT40 Micron Mill Chuck 1 1/4" X 5.31"	4.13"	-	2.76"	M18-1 2

BT40 SIMULFIT (DUAL CONTACT)

Size	Item Number	Description	C	L	B	Thread	Style
3/4"	74234103	BBT40-HPC075-105A	BT40 Simulfit Micron Mill Chuck 3/4" X 4.13"	4.13"	3.07"	2.20"	M10-1 1
1"	74234001	BBT40-HPC100-105A	BT40 Simulfit Micron Mill Chuck 1" X 4.13"	4.13"	2.75"	2.44"	M18-1 1
1 1/4"	74234105	BBT40-HPC125-105A	BT40 Simulfit Micron Mill Chuck 1 1/4" X 4.13"	4.13"	3.87"	2.76"	M18-1 2

BT50 SIMULFIT (DUAL CONTACT)

Size	Item Number	Description	C	L	B	Thread	Style
1"	74235002	BBT50-HPC100-135A	BT50 Simulfit Micron Mill Chuck 1" X 5.31"	5.31"	3.81"	2.44"	M18-1 1
1 1/4"	74235003	BBT50-HPC125-105A	BT50 Simulfit Micron Mill Chuck 1 1/4" X 4.13"	4.13"	2.63"	2.76"	M18-1 1

HSK63A

Size	Item Number	Description	C	L	B	Thread	Style
3/4"	74406049	HSKA63-HPC075-110A	HSK63A Micron Mill Chuck 3/4" X 4.33"	4.33"	3.30"	2.20"	M8 1
1"	74406051	HSKA63-HPC100-115A	HSK63A Micron Mill Chuck 1" X 4.52"	4.52"	3.50"	2.44"	M8 1
1 1/4"	74401052	HSKA63-HPC125-120A	HSK63A Micron Mill Chuck 1 1/4" X 4.52"	4.72"	-	2.76"	M8 2

HSK100A

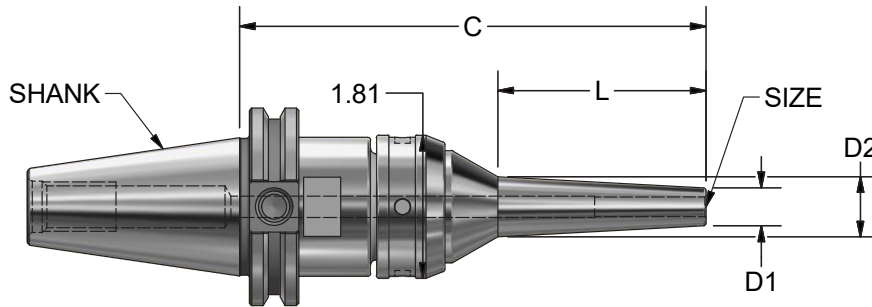
Size	Item Number	Description	C	L	B	Thread	Style
3/4"	74401043	HSKA100-HPC075-110A	HSK100A Micron Mill Chuck 3/4" X 4.33"	4.33"	3.18"	2.20"	M8 1
1"	74401044	HSKA100-HPC100-115A	HSK100A Micron Mill Chuck 1" X 4.52"	4.52"	3.38"	2.44"	M8 1
1 1/4"	74401045	HSKA100-HPC125-120A	HSK100A Micron Mill Chuck 1 1/4" X 4.52"	4.72"	-	2.76"	M8 2

Micron milling chucks simulfite holders are officially licensed BIG-Plus® holders.

*BIG-PLUS® is a registered trademark of Daishowa Seiki Kabushiki Kaisha and that Daishowa Seiki Kabushiki Kaisha does not endorse or sponsor the products of Parlec.

Micron Power Milling Chucks

5 Micron Mold Chucks



CAT40 MOLD CHUCKS

Size	Item Number	Description	C	L	D1	D2	Socket Length	
1/8"	74304083	CV40-HPC0125M-150	C40 Micron Mold Chuck 1/8"X5.90"	5.90"	2.63"	.35"	.63"	.71"
	74304084	CV40-HPC0125M-200	C40 Micron Mold Chuck 1/8"X7.87"	7.87"	4.01"	.35"	.70"	.71"
3/16"	74304085	CV40-HPC0187M-150	C40 Micron Mold Chuck 3/16"X5.90"	5.90"	2.63"	.43"	.72"	.90"
	74304022	CV40-HPC0187M-200	C40 Micron Mold Chuck 3/16"X7.87"	7.87"	4.01"	.43"	.86"	.90"
1/4"	74304087	CV40-HPC0250M-150	C40 Micron Mold Chuck 1/4"X5.90"	5.90"	2.63"	.48"	.76"	1.42"
	74304023	CV40-HPC0250M-200	C40 Micron Mold Chuck 1/4"X7.87"	7.87"	4.01"	.48"	.91"	1.42"
5/16"	74304089	CV40-HPC0312M-150	C40 Micron Mold Chuck 5/16"X5.90"	5.90"	2.63"	.55"	.83"	1.55"
	74304090	CV40-HPC0312M-200	C40 Micron Mold Chuck 5/16"X7.87"	7.87"	4.01"	.55"	.97"	1.55"
	74304024	CV40-HPC0312M-200-T	C40 Micron Mold Chuck 5/16"X7.87" BST	7.87"	4.01"	.55"	.97"	1.55"
3/8"	74304091	CV40-HPC0375M-150	C40 Micron Mold Chuck 3/8"X5.90"	5.90"	2.63"	.61"	.89"	1.57"
	74304026	CV40-HPC0375M-200	C40 Micron Mold Chuck 3/8"X7.87"	7.87"	4.01"	.61"	1.03"	1.57"
7/16"	74304027	CV40-HPC0437M-150	C40 Micron Mold Chuck 7/16"X5.90"	5.90"	2.63"	.67"	.95"	1.77"
	74304028	CV40-HPC0437M-200	C40 Micron Mold Chuck 7/16"X7.87"	7.87"	4.01"	.67"	1.09"	1.77"
1/2"	74304095	CV40-HPC0500M-150	C40 Micron Mold Chuck 1/2"X5.90"	5.90"	2.63"	.74"	1.01"	1.77"
	74304096	CV40-HPC0500M-200	C40 Micron Mold Chuck 1/2"X7.87"	7.87"	4.01"	.74"	1.16"	1.77"
M3	74304067	CV40-HPC03M-150	C40 Micron Mold Chuck 3mmX5.90"	5.90"	2.63"	.43"	.72"	.90"
M4	74304069	CV40-HPC04M-150	C40 Micron Mold Chuck 4mmX5.90"	5.90"	2.63"	.38"	.56"	.90"
M6	74304073	CV40-HPC06M-150	C40 Micron Mold Chuck 6mmX5.90"	5.90"	2.63"	.47"	.75"	1.42"
M8	74304077	CV40-HPC08M-150	C40 Micron Mold Chuck 8mmX5.90"	5.90"	2.63"	.55"	.83"	1.55"
M10	74304079	CV40-HPC10M-150	C40 Micron Mold Chuck 10mmX5.90"	5.90"	2.63"	.63"	.92"	1.57"
M12	74304081	CV40-HPC12M-150	C40 Micron Mold Chuck 12mmX5.90"	5.90"	2.63"	.71"	1.00"	1.77"

CAT40 MOLD CHUCKS (DUAL CONTACT)

Size	Item Number	Description	C	L	D1	D2	Socket Length	
3/16"	74204004	BCV40-HPC0187M-150	C40 Micron Mold Chuck 3/16"X5.90"	5.90"	2.63"	.43"	.72"	.90"
1/4"	74204005	BCV40-HPC0250M-150	C40 Micron Mold Chuck 1/4"X5.90"	5.90"	2.63"	.48"	.76"	1.42"
3/8"	74204006	BCV40-HPC0375M-150-T	C40 Micron Mold Chuck 3/8"X5.90"	5.90"	2.63"	.61"	.89"	1.57"

Micron Power Milling Chucks

CAT50 MOLD CHUCKS

Size	Item Number	Description	C	L	D1	D2	Socket Length	
1/8"	74305033	CV50-HPC0125M-150	C50 Micron Mold Chuck 1/8"X5.90"	5.90"	2.63"	.35"	.63"	.71"
3/16"	74305034	CV50-HPC0187M-150	C50 Micron Mold Chuck 3/16"X5.90"	5.90"	2.63"	.43"	.72"	.90"
	74305035	CV50-HPC0187M-200	C50 Micron Mold Chuck 3/16"X7.87"	7.87"	4.01"	.43"	.86"	.90"
1/4"	74305159	CV50-HPC0250M-150	C50 Micron Mold Chuck 1/4"X5.90"	5.90"	2.63"	.48"	.76"	1.42"
5/16"	74305036	CV50-HPC0312M-150	C50 Micron Mold Chuck 5/16"X5.90"	5.90"	2.63"	.55"	.83"	1.55"
3/8"	74305037	CV50-HPC0375M-200	C50 Micron Mold Chuck 3/8"X7.87"	7.87"	4.01"	.61"	1.03"	1.57"
	74305136	CV50-HPC0500M-200-T	C50 Micron Mold Chuck 1/2"X7.87"	7.87"	4.01"	.74"	1.01"	1.77"
M6	74305038	CV50-HPC06M-150	C50 Micron Mold Chuck 6mmX5.90"	5.90"	2.63"	.47"	.75"	1.42"
	74305039	CV50-HPC06M-200	C50 Micron Mold Chuck 6mmX7.87"	7.87"	4.01"	.47"	.89"	1.42"

BT40 MOLD CHUCKS

Size	Item Number	Description	C	L	D1	D2	Socket Length	
1/8"	74204135	BT40-HPC0125M-135	BT40 Micron Mold Chuck 1/8"X5.31"	5.31"	2.63"	.35"	.63"	.71"
	74204010	BT40-HPC0125M-185	BT40 Micron Mold Chuck 1/8"X7.28"	7.28"	4.01"	.35"	.70"	.71"
3/16"	74204011	BT40-HPC0187M-185	BT40 Micron Mold Chuck 3/16"X7.28"	7.28"	4.01"	.43"	.86"	.90"
1/4"	74204012	BT40-HPC0250M-185	BT40 Micron Mold Chuck 1/4"X7.28"	7.28"	4.01"	.48"	.91"	1.42"
5/16"	74204013	BT40-HPC0312M-135 (T)	BT40 Micron Mold Chuck 5/16"X5.31"	5.31"	2.63"	.55"	.83"	1.55"
	74204014	BT40-HPC0312M-185 (T)	BT40 Micron Mold Chuck 5/16"X7.28"	7.28"	4.01"	.55"	.97"	1.55"
3/8"	74204015	BT40-HPC0375M-185	BT40 Micron Mold Chuck 3/8"X 7.28"	7.28"	4.01"	.61"	1.03"	1.57"
1/2"	74204016	BT40-HPC0500M-185	BT40 Micron Mold Chuck 1/2"X 7.28"	7.28"	4.01"	.74"	1.01"	1.77"

HSKA63 MOLD CHUCKS

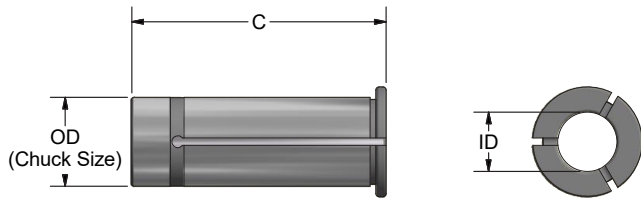
Size	Item Number	Description	C	L	D1	D2	Socket Length	
1/8"	74406114	HSKA63-HPC0125M-150	HSKA63 Micron Mold Chuck 1/8"X5.90"	5.90"	2.63"	.35"	.63"	.71"
3/16"	74406113	HSKA63-HPC0187M-150	HSKA63 Micron Mold Chuck 3/16"X5.90"	5.90"	2.63"	.43"	.72"	.90"
	74406047	HSKA63-HPC0187M-200	HSKA63 Micron Mold Chuck 3/16"X7.87"	7.87"	4.01"	.43"	.86"	.90"
1/4"	74406112	HSKA63-HPC0250M-150	HSKA63 Micron Mold Chuck 1/4"X5.90"	5.90"	2.63"	.48"	.76"	1.42"
	74406101	HSKA63-HPC0250M-200	HSKA63 Micron Mold Chuck 1/4"X7.87"	7.87"	4.01"	.48"	.91"	1.42"
3/8"	74406111	HSKA63-HPC0375M-150	HSKA63 Micron Mold Chuck 3/8"X5.90"	5.90"	2.63"	.61"	.89"	1.57"
1/2"	74406109	HSKA63-HPC0500M-150	HSKA63 Micron Mold Chuck 1/2"X5.90"	5.90"	2.63"	.74"	1.01"	1.77"
	74406048	HSKA63-HPC0500M-200-T	HSKA63 Micron Mold Chuck 1/2"X7.87"	7.87"	4.01"	.74"	1.01"	1.77"

HSKA100 MOLD CHUCKS

Size	Item Number	Description	C	L	D1	D2	Socket Length	
1/8"	74401137	HSKA100-HPC0125M-155	HSKA100 Micron Mold Chuck 1/8"X6.10"	6.10"	2.63"	.35"	.63"	.71"
1/4"	74401040	HSKA100-HPC0250M-155	HSKA100A Micron Mold Chuck 1/4"X6.10"	6.10"	2.63"	.48"	.76"	1.42"
	74401041	HSKA100-HPC0250M-205	HSKA100A Micron Mold Chuck 1/4"X8.07"	8.07"	4.01"	.48"	.91"	1.42"
3/8"	74401160	HSKA100-HPC0375M-155	HSKA100 Micron Mold Chuck 3/8"X5.90"	5.90"	2.63"	.61"	.89"	1.57"
1/2"	74401042	HSKA100-HPC0500M-155	HSKA100 Micron Mold Chuck 1/2"X5.90"	6.10"	2.63"	.74"	1.01"	1.77"

Micron Power Milling Chucks

7 Micron Mold Chucks



OD	C
3/4"	2.14"
1"	2.36"
1 1/4"	2.75"

3/4" O.D.

ITEM NUMBER	REDUCTION SIZE
74875001	1/8"
74875002	3/16"
74875003	1/4"
74875004	5/16"
74875005	3/8"
74875006	7/16"
74875007	1/2"
74875008	9/16"
74875010	5/8"
74875009	6MM
74875011	8MM
74875012	10MM
74875013	12MM
74875014	14MM
74875015	16MM

3/4" O.D. (COOLANT)

ITEM NUMBER	REDUCTION SIZE
74875016	1/4"
74875017	5/16"
74875018	3/8"
74875019	7/16"
74875020	1/2"
74875021	9/16"
74875023	5/8"
74875022	6MM
74875024	8MM
74875025	10MM
74875026	12MM
74875027	14MM
74875028	16MM

1" O.D.

ITEM NUMBER	REDUCTION SIZE
74810001	1/4"
74810002	5/16"
74810003	3/8"
74810004	7/16"
74810005	1/2"
74810006	9/16"
74810008	5/8"
74810009	3/4"
74810007	6MM
74810010	8MM
74810011	10MM
74810012	12MM
74810013	14MM
74810014	16MM
74810015	18MM
74810016	20MM

1" O.D. (COOLANT)

ITEM NUMBER	REDUCTION SIZE
74810017	1/4"
74810018	5/16"
74810019	3/8"
74810020	7/16"
74810021	1/2"
74810022	9/16"
74810024	5/8"
74810025	3/4"
74810023	6MM
74810026	8MM
74810027	10MM
74810028	12MM
74810029	14MM
74810030	16MM
74810031	18MM
74810032	20MM

1 1/4" O.D.

ITEM NUMBER	REDUCTION SIZE
74812001	1/4"
74812002	5/16"
74812003	3/8"
74812004	7/16"
74812005	1/2"
74812006	9/16"
74812008	5/8"
74812009	3/4"
74812011	7/8"
74812013	1"
74812007	6MM
74812010	8MM
74812012	10MM
74812014	12MM
74812015	14MM
74812016	16MM
74812017	18MM
74812018	20MM
74812019	25MM

1 1/4" O.D. (COOLANT)

ITEM NUMBER	REDUCTION SIZE
74812020	1/4"
74812021	5/16"
74812022	3/8"
74812023	7/16"
74812024	1/2"
74812025	9/16"
74812026	5/8"
74812027	3/4"
74812028	7/8"
74812030	1"
74812029	10MM
74812031	12MM
74812032	14MM
74812033	16MM
74812034	18MM
74812035	20MM
74812036	25MM



WRENCHES

ITEM NUMBER	DESCRIPTION
35851	All Micron Mold Chucks
35852	3/4" Micron Milling Chucks
35853	1" Micron Milling Chucks
35854	1 1/4" Micron Milling Chucks