



COMPLETE METALWORKING SOLUTIONS
(800) 991-4225 www.ahbinc.com
ISO Certified customerservice@ahbinc.com



- Guide Bushings
- Main Spindle Collets
- Sub - Spindle Collets
- Carbide Lined Collets
- Special Collets
- Bar Feed Collets

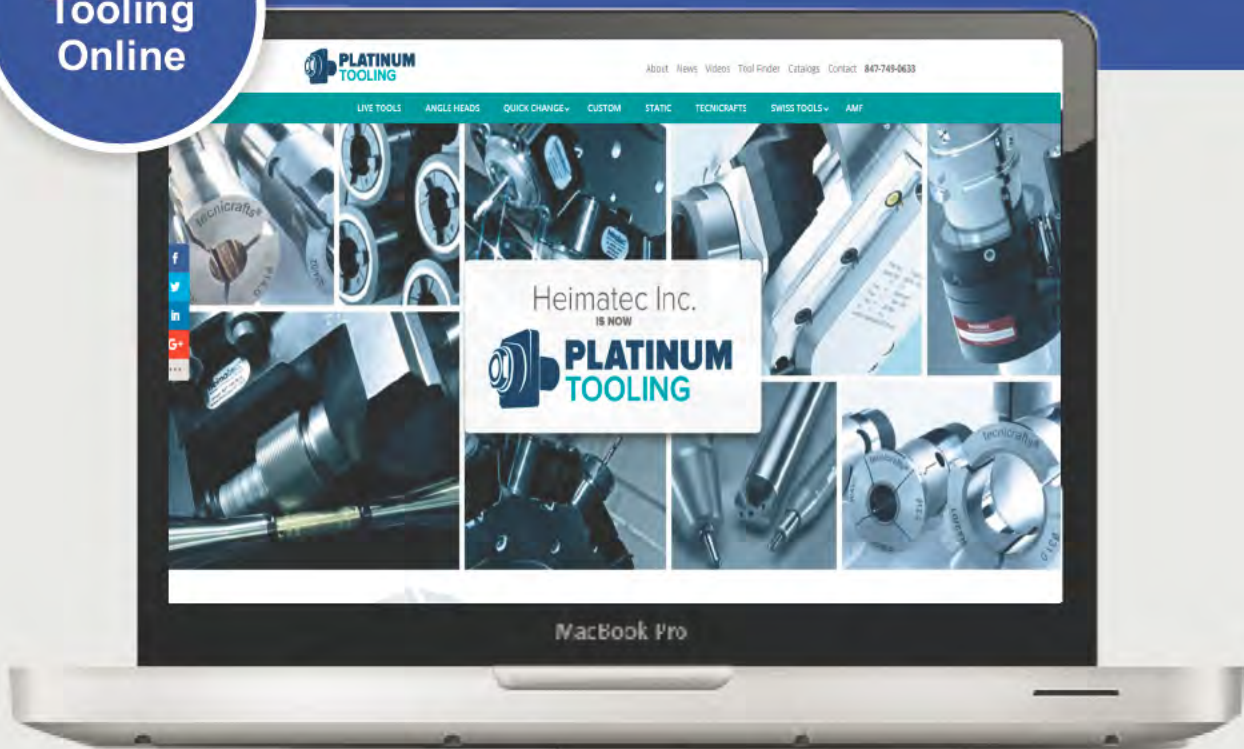


High Precision Collets & Guide Bushings For Swiss Type CNC Automatic lathes

www.platinumtooling.com

tecnicrafts[®]
Precisely Crafted. To Inspire Trust

Platinum
Tooling
Online



Visit us online
www.platinumtooling.com

**Manufacturers of
Hi-Precision Collets, Carbide Lined Guide Bushes
for Swiss type Automatic lathes**



CITIZEN-CINCOM, TSUGAMI, STAR,
TORNOS, TORNOS-DECO, TORNOS-DELTA,
GILDEMEISTER, HARDINGE, HANWHA, INDEX, NEXTURN,
MAIER, MANURHIN-KMX, MIYANO, NOMURA,
POLYGIM, TRAUB, BECHET, BECHLER,
PETERMAN, STROHM, GAUTHIER, GOODWAY, JIN-FA.



Collet - Smooth Bore

- Standard upto $\text{\O} 7.9\text{mm}$ Bore
- Bigger Bore Sizes also Available in Smooth - on request
- Available in Standard Precision and Extra Precision



Collet - Grooved Bore

- Standard Grooved Bores Available from $\text{\O} 8.0\text{mm}$
- Used Especially in Headstock



Collet - Profile Bore

- All profiles like Hexagon, Square, Rectangular, etc.,
- Available in all standard collet models
- Smooth Bore - Less than 14 Hex / 14 Sq
- Grooved Bore - Greater than 14 Hex / 14 Sq



Collet - Serrated Bore

- Horizontal and Vertical Grooves
- Available from Bore $\text{\O} 8.00\text{mm}$ above.



Collets with Carbide Insert

- For long life and endurance.
- All Standard Collets are available with Carbide Insert



Collet - Stepped Bores

- Clamping on Two Different Diameters Possible
- Available for All Collet Types



Collet - Over Gripping

- Suitable for Clearing a shoulder and Gripping on a Smaller Diameter Beyond
- Used on a Pick-off Spindle



Collet Special

- Suitable for Different Special Profiles and Partial Shapes.



Collets - V Line

- Available only above Ø 3.0mm
- Offered only in " Smooth Bore "
- No marks on material while clamping
- Suitable for all profiles like Square, Hexagon, etc..
- Uniform High Tension
- Easier Cleaning after Operation



Long Nose Collet - Straight Nose

- All Standard Collets available with Long Straight Nose
- Used on a Pick-off Spindle



Long Nose Collet - Tapered Nose

- All Standard Collets available with Long Tapered Nose
- Used on a Pick-off Spindle



Collet with Full Seal

- Slots filled with silicon sealant to prevent chip and dirt debris entering inside the collets
- Mainly used on a Pick-off Spindle



Collet with Key Slot on Cone

- Key Slot on Cone made on request
- Key Slot on Cone is for profile orientation
- Suitable for all profiles like Hexagon, Square, etc..



Collet with Key Slot on Guiding Diameter

- Key Slot on Guiding Diameter made on request
- Key Slot on Guiding Diameter is for profile orientation
- Suitable for all profiles like Hexagon, Square. etc.,



SW Collet - Standard Nose

- Suitable for Tool Grinding machines and Schaublin Lathes
- Available in Standard Precision and Ultra Precision



SW Collet - Long Nose

- Suitable for Tool Grinding machines
- Available in Standard Precision and Ultra Precision



Guide Bush - Drawn (Adjustable) Type

- Suitable for Swiss type CNC automatic lathes
- Excellent Bore finish
- Bore surface finish - Ra value of 0.4 micron
- Standard Bore Chamfer on the bore edge



Guide Bush - Profile

- All Standard Guide Bushes available with Profiles like Hexagon, Square and Special partial shapes



Guide Bush - Reinforced Shank

- Special Guide Bush for Citizen and Star Swiss type CNC automatic lathes
- Excellent Bore finish
- Bore surface finish - Ra value of 0.4 micron
- Standard Bore Chamfer on the bore edge



Guide Bush - Traub

- Special Guide bush for Traub swiss type CNC automatic lathes
- Excellent Bore finish
- Bore surface finish - Ra value of 0.4 micron
- Standard Bore Chamfer on the bore edge



Guide Bush - Long Nose

- Shifting the Guiding area forward and thereby enhancing the stability of the workpiece
 - Excellent Bore finish
 - Bore surface finish - Ra value of 0.4 micron
 - Standard Bore Chamfer on the bore edge
-



Guide Bush - U Line

- Available only above $\text{Ø } 3.0\text{mm}$
 - Slot Designed not to allow chip and dirt debris inside the Guide Bush
 - Available only in Ultra Precision
 - Suitable for all profiles like Square, Hexagon, etc.,
 - Smooth Guiding
 - No marks on material while guiding
-



Bar Feed Collet - External Thread

- Specially processed to obtain uniform tension
-



Bar Feed Collet - Internal Thread

- Specially processed to obtain uniform tension
-



Bar Feed Collet - Pin Type

- Specially processed to obtain uniform tension

Guide Bushing with Extended Carbide Insert (Max Land Guide Bushing)



Standard Guide Bush

Guide Bush with Extended Carbide Insert (Max Land Guide Bushing)

- Guiding surface length up to 70mm
- Bore Diameter from 4mm to 42mm
- Guiding surface length will vary depending on bore diameter and guide bush model
- Suitable for components which require long drawing back like chasing a long thread
- High concentricity
- Extended carbide insert ensures improved guidance of component
- Prevents slippage of component from the carbide guide

Guide Bushing with Carbide Insert

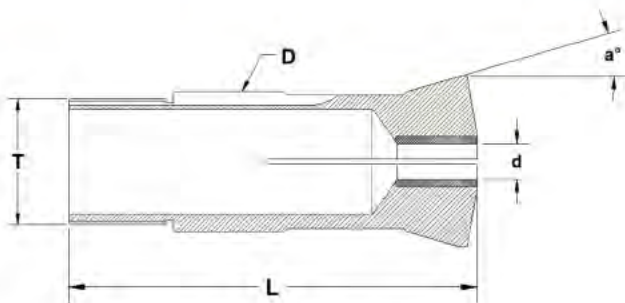


Figure - 1 Carbide Lined Guide Bush - Drawn type

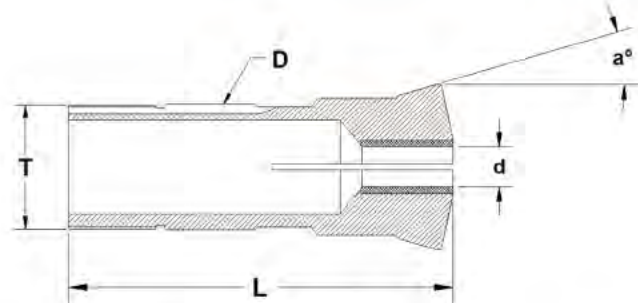


Figure - 2 Carbide Lined Guide Bush - with Reinforced Shank

Guide Bush - Drawn (Adjustable) Type

All Dimension are in mm - Unless Otherwise Specified

Tecnicrafts Part Nr.	Figure	Guiding Dia	Total Length	Thread	Angle	Capacity		
						Round	Hexagon	Square
		ØD	L	T	a°	●	●	■
UR9-101	1	9	44	M8x0.75	16°	5	4	3
UR11-102	1	11	53	M10x0.75	16°	6	5	4
UR11-103	1	11	52.5	M10x0.75	16°	7	5	4
UR14-104	1	14	61.5	M14x1	15°30'	8.5	7	6
UR16-105	1	16	63	M14x1	15°30'	10	8	7
UR16-106	1	16	60	M14x1	16°	10	8	7
UR16-107	1	16	59	M16x1	16°	10	8	7
UR18-108	1	18	60	M18x1	30°	12.5	10	9
UR18-109	2	18	100	M18x1	20°	13	11	9
UR21-110	1	21	57.5	M18x1	12°30'	12.5	10	9
UR21-111	1	21	65.5	M18x1	12°	14	11	9
UR22-112	1	22	70	M20x1	15°	15	12	10
UR22-113	1	22	68	M19x1	16°	14	11	9
UR22-114	1	22	68	M22x1	16°	16	14	11
UR23-115	1	23	72	M22x1	16°	17	14	11
UR24-131	1	24	61	M24x1	30°	16	13	11
UR26-116	1	26	77	M25x1	16°	20	17	14
UR28-117	1	28	82	M25x1	30°	20.5	17	14
UR28-118	1	28	82	M25x1	16°	20.5	17	14
UR28-119	1	28	82	M25x1	16°	20.5	17	14
UR30-120	1	30	68	M30x1	15°30'	20	17	14
UR32-121	1	32	70	M32x1	30°	22	19	15
UR33-122	1	33	70	M30x1	16°	25	21	18

* table to be continued

Guide Bushing with Carbide Insert

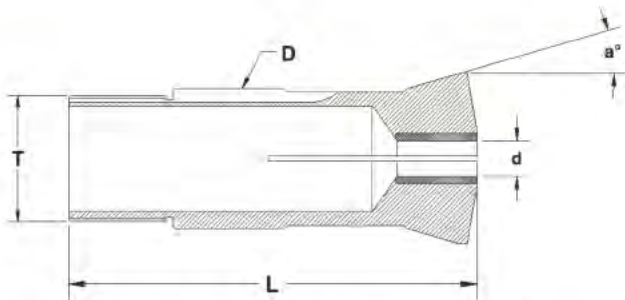


Figure - 1 Carbide Lined Guide Bush - Drawn type

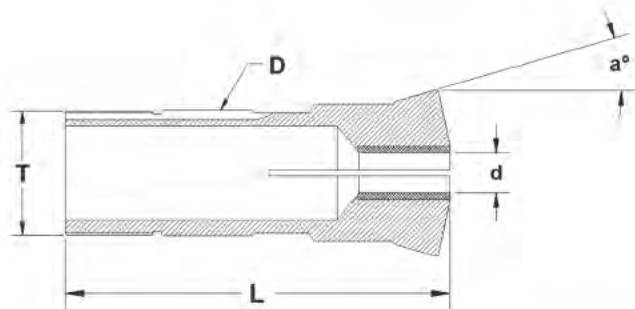


Figure - 2 Carbide Lined Guide Bush - with Reinforced Shank

Guide Bush - Drawn (Adjustable) Type

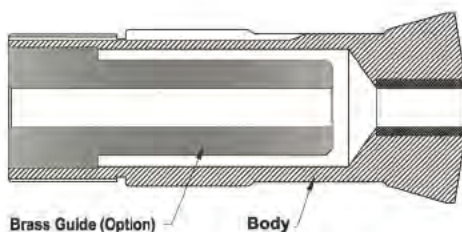
All Dimension are in mm - Unless Otherwise Specified

Tecnicrafts Part Nr.	Figure	Guiding Dia	Total Length	Thread	Angle	Capacity		
						Round	Hexagon	Square
		ØD	L	T	a°	●	●	■
UR34-123	1	34	87.5	M34x1	10°	27	22	18
UR36-124	1	36	90	M36x1	13°	25	21	18
UR41-125	1	41	54	M38x1	10°	32	27	22
UR42-126	1	42	82	M40x1	16°	33	28	23
UR42-127	1	42	82	M40x1	20°	33	28	23
UR45-128	1	45	82	M42x1	16°	36	30	25
UR46-129	1	46	92	M45x1	16°	38	32	26
UR48-130	1	48	82	M46x1	16°	39	33	27
UR52-132	1	52	99	M48x1.5 LH	10°	43	37	30

Guide Bush - Drawn (Adjustable) Type



- Suitable for Swiss type CNC automatic lathes
- Excellent Bore finish
- Bore surface finish - Ra value of 0.4 micron
- Standard Bore Chamfer on the bore edge
- Customized Solutions can be made for All Guide Bushings



Guide Bush with Brass Guide

- All the Guide Bushes available with Brass Guide on Request
- Brass Guide provides better guidance to the job

Collet with Straight & Tapered Shoulder

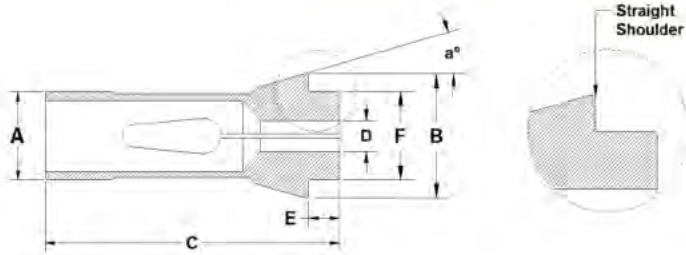


Figure - 1 Collet with Straight Shoulder

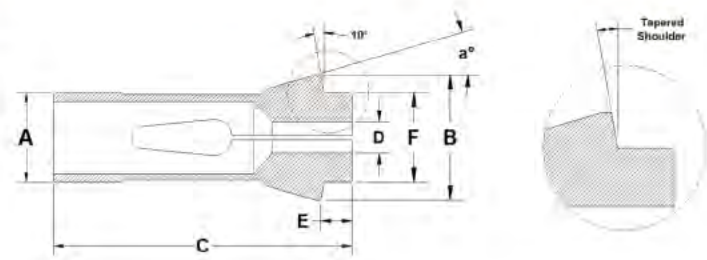


Figure - 2 Collet with Tapered Shoulder

Collet with Straight & Tapered Shoulder

All Dimension are in mm - Unless Otherwise Specified

Tecnicrafts Part Nr.	Fig.	Guiding Dia	Major Dia	Total Length	Nose length	Nose Dia	Angle	Capacity		
								Round	Hexagon	Square
		ØA	ØB	C	E	ØF	a°	●	⬡	■
USF8-8001	1	8	12	41	3.5	8	16°	5.5	4	3
USF10-8002	1	10	16	47	5	10	20°	7	5	4
USF13-8003	1	13	19	64	6	13	16°	10	8	7
USF15-8004	1	15	21	64	6	15	16°	11	9	8
USF16-8005	1	16	21	64	6	16	16°	12	10	8
USF20-8006	1	20	26	54	5	19	15°	16	13	11
USF20-8007	1	20	28	67	7	21	16°	16	13	11
USF22-8008	1	22	30	55	6	21	15°	16.5	14	11
USF23.8-8009	1	23.8	28	62	7	22	15°	18	15	12
USF25-8010	1	25	35	77	10	27	16°	20	17	14
USF25-8011	1	25	34	65	6	25	15°	20	17	14
USF26-8012	1	26	36	72	12	28	15°	21.0	17	14
USF30-8013	1	30	42	80	10	34	16°	25	21	17
USF30-8014	1	30	38	65	6	32	15°	26	22	18
USF32-8015	2	32	45	75	8	34	15°	26	22	18
USF32-8016	1	32	42	85	6	32	13°	26	22	18
USF32-8026	1	32	40	65	6	34	15°	26	22	18
USF34-8017	1	34	44	80	10	37	16°	28	24	20
USF37-8018	2	37	44	91	5.7	38	16°	32	27	22
USF37-8019	1	37	47	92	10	40	16°	32	27	22
USF37-8025	1	37	47	92	10	40	16°7'	32	27	22

* table to be continued

Collet with Straight & Tapered Shoulder

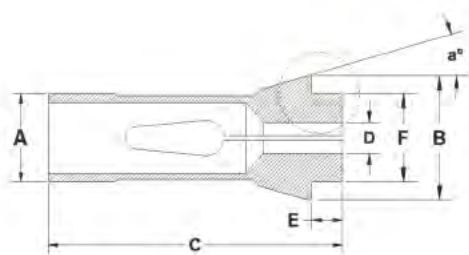


Figure - 1 Collet with Straight Shoulder

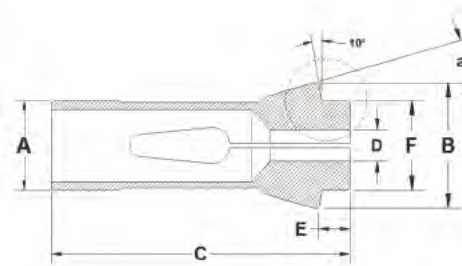
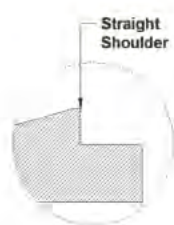


Figure - 2 Collet with Tapered Shoulder

Collet with Straight & Tapered Shoulder

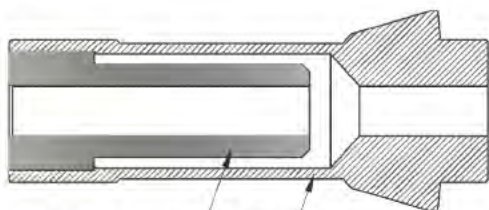
All Dimension are in mm - Unless Otherwise Specified

Tecnicrafts Part Nr.	Fig.	Guiding Dia	Major Dia	Total Length	Nose length	Nose Dia	Angle	Capacity		
								Round	Hexagon	Square
		ØA	ØB	C	E	ØF	a°	●	●	■
USF40-8020	1	40	50	92	10	43	16°	35	30	24
USF43-8021	1	43	53	92	10	46	16°	38	32	27
USF44-8022	1	44	52	92	10	44	16°30'	38	32	27
USF48-8023	1	48	54	100	10	44	15°	40	34	28
USF48-8024	2	48	60	94	9	50	15°	42	36	29
USF54-8027	2	54	64	95	10	54	15°	45	38	31



Collets - V Line

- Available only above Ø 3.0mm
- Offered only in " Smooth Bore "
- No marks on material while clamping
- Suitable for all profiles like Square, Hexagon, etc.,
- Uniform High Tension
- Easier Cleaning after Operation

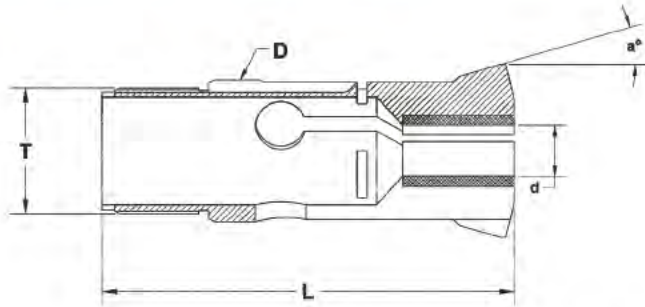


Brass Guide (Option) Body

Collet with Brass Guide

- All the Collets available with Brass Guide on Request
- Brass Guide provides better guidance to the job

Carbide Lined Guide Bush - Traub

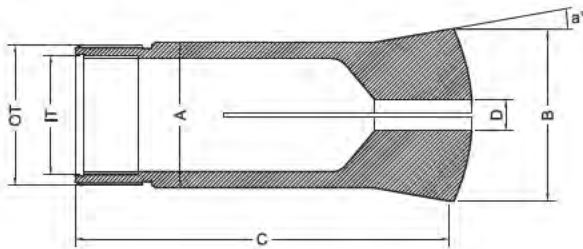


Carbide Lined Guide Bush - Traub

All Dimension are in mm - Unless Otherwise Specified

Tecnicrafts Part Nr.	Guiding Dia	Total Length	Thread	Angle	Capacity		
					Round	Hexagon	Square
	ØD	L	T	a°	●	●	■
R21/07	21	65.5	M18x1	12°	13.5	11	9
R27/01	27	67.5	M24x1	12°	18	15	13
R28/06	28	81.2	M25x1	16°	20.5	17	14
R42/05	42	81.2	M40x1	16°	33	28	23

5C / 16C Collets

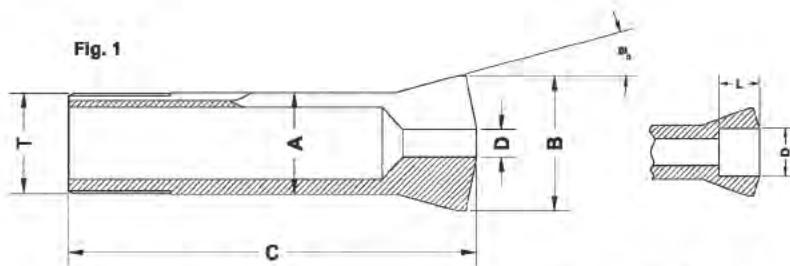


SPECIAL COLLETS - 5C / 16C COLLETS

All Dimension are in mm - Unless Otherwise Specified

Part Nr.	Guiding Dia	Major Dia	Ref. Length	OD Thread	ID Thread	Angle	Capacity		
							Round	Hexagon	Square
	ØA	ØB	C	OT	IT	a°	●	●	■
5C Collet	1.25"(31.75)	1.484"(37.70)	3.268"(83.0)	1.238"x20TPI	1.041"x24TPI	10°	25	21	17
16C Collet	1.889"(48.0)	2.260"(57.40)	4.291"(109.0)	1.870"x1.75	1.687"x20TPI	10°	41	35	29

W - Type Collet



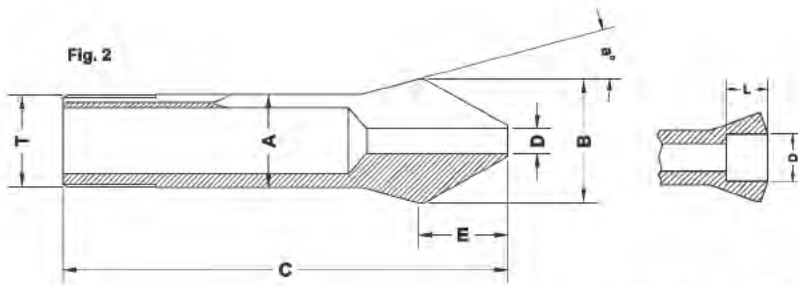
W - TYPE COLLET

All Dimension are in mm - Unless Otherwise Specified

Part Nr.	Guiding Dia	Major Dia	Length	Thread	Nose Length	Angle	Figure	Length	Capacity
									D Min - Max
	ØA	ØB	c	T	E	a°		L	
SW10/001	10	14	43.6	Ø9.83x0.833 (<) 45°/5°	-	15°	1	-	1.00...6.70
								15	6.71...8.00
								6	8.01...8.50
								5	8.51...9.00
								4	9.01...9.50
								3	9.51...10.00
SW12/002	12	16	46	Ø11.75x1.25 (<) 45°/5°	-	15°	1	-	1.00...8.00
								17	8.01...10.00
								6	10.01...10.50
								5	10.51...11.00
								4	11.01...11.50
								3	11.51...12.00
SW12/93108	12	16	52	Ø11.75x1.25 (<) 45°/5°	8.8	15°	2	-	1.00...8.00
								24	8.01...10.00
SW15/003	15	20.2	58.3	Ø14.75x1.25 (<) 45°/5°	-	15°	1	-	1.00...10.70
								22	10.71...12.70
								9.5	12.71...13.00
								8.5	13.01...13.50
								7.5	13.51...14.00
								6.5	14.01...14.50
								5.5	14.51...15.00
								4.5	15.01...15.50
3.5	15.51...16.00								
SW15/93285	15	20.2	67	Ø14.75x1.25 (<) 45°/5°	12	15°	2	-	1.00...10.20
								22	10.21...12.70
SW20/004	20	26.3	73	Ø19.7x1.666 (<) 45°/5°	-	15°	1	-	1.00...14.50
								28	14.51...16.00
								13.5	16.01...16.50
								13	16.51...17.00
								12.2	17.01...17.50
								11.5	17.51...18.00
								10.7	18.01...18.50
								10	18.51...19.00
8.7	19.01...19.50								

* table to be continued

W - Type Collet

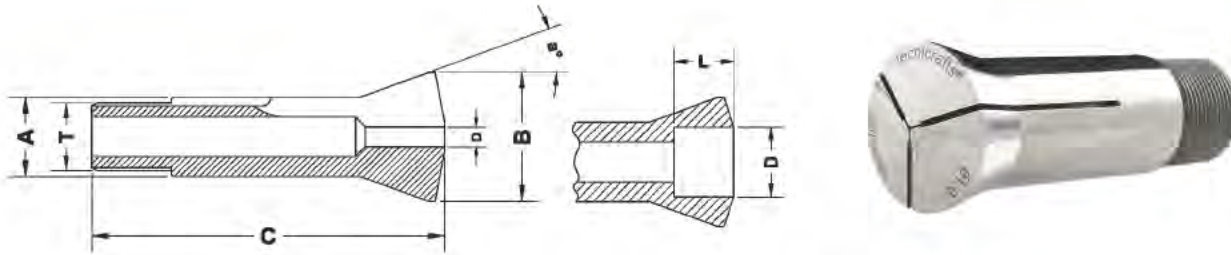


W - TYPE COLLETS

All Dimension are in mm - Unless Otherwise Specified

Part Nr.	Guiding Dia	Major Dia	Length	Thread	Nose Length	Angle	Figure	Length	Capacity
									D Min - Max
	ØA	ØB	c	T	E	a°		L	
SW20/004	20	26.3	73	Ø19.7x1.666 (<) 45°/5°	-	15°	1	7.5	19.51...20.00
								6.5	20.01...20.50
								5.5	20.51...21.00
								4.7	21.01...21.50
								4	21.51...22.00
								3	22.01...22.50
2	22.51...23.00								
SW20/92744	20	26.3	84.5	Ø19.7x1.666 (<) 45°/5°	15.5	15°	2	-	1.00...13.00
								41	13.01...16.00
SW25/005	25	33.7	97.6	Ø24.7x15f" (<) 45°/5°	-	15°	1	-	1.00...19.05
								35	19.06...21.00
								16.5	21.01...21.50
								16	21.51...22.00
								15.7	22.01...22.50
								15.5	22.51...23.00
								15	23.01...23.50
								14.5	23.51...24.00
								13.5	24.01...24.50
								12.5	24.51...25.00
								11.5	25.01...25.50
								10.5	25.51...26.00
								9.5	26.01...26.50
8.5	26.51...27.00								
7.5	27.01...27.50								
6.5	27.51...28.00								
5.5	28.01...28.50								
4.5	28.51...29.00								
SW25/92872	25	33.7	112.2	Ø24.7x15f" (<) 45°/5°	19.7	15°	2	-	1.00...19.05
								50	19.06...21.00
SW31.75/842	31.75	37.4	87	Ø31.4x20f" (<) 60°	-	10°3'	1	-	1.00...25.19
								40	25.20...27.99
								10	28.00...28.99
								7	29.00...29.99
								4	30.00...31.00

B - Type Collet



B - TYPE COLLETS

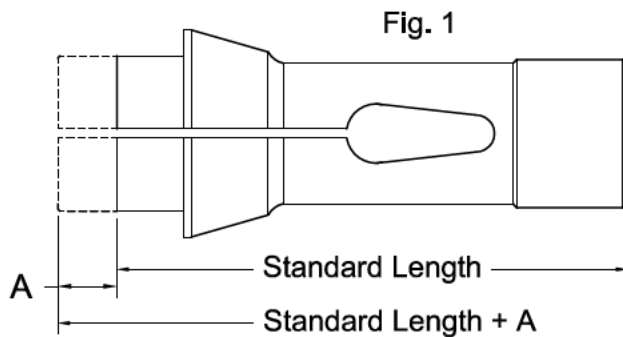
All Dimension are in mm - Unless Otherwise Specified

Part Nr.	Guiding Dia	Major Dia	Length	Thread	Angle	Length	Capacity
							D Min - Max
	ØA	ØB	c	T	a°	L	
SB6/128	6	10.5	31.3	Ø5x36f" <) 55°	20°	-	1.00...3.00
						12	3.01...4.50
						4.5	4.51...5.00
						4	5.01...5.50
						3.5	5.51...6.00
SB8/137	8	13	35.5	Ø6.82x0.625 <) 55°	20°	-	1.00...4.00
						12.5	4.01...6.50
						6	6.51...7.00
						5	7.01...7.50
						4	7.51...8.00
						3.2	8.01...8.50
						2.5	8.51...9.00
						1.7	9.01...9.50
1	9.51...10.00						
SB15/139	15	21	55	M13 x 1	20°	-	1.00...9.50
						20	9.51...12.50
						8.5	12.51...13.00
						7.7	13.01...13.50
						7	13.51...14.00
						6.5	14.01...14.50
6	14.51...15.00						
SB32/55	32	40	102	M30 x 1.5	15°	-	1.00...24.00
						44	24.01...28.00
						12	28.01...30.00
						8	30.01...32.00
SB32/65	32	40	106	Ø29.7x15f" <) 45°/5°	15°	-	1.00...24.00
						44	24.01...28.00
						12	28.01...30.00
						8	30.01...32.00
SB45/199	45	53	115	M42 x 1.5	15°	-	1.00...36.00
						53	36.01...40.99
						14	41.00...41.99
						12	42.00...42.99
						10	43.00...43.99
						8	44.00...45.00

Ordering Information for Long Nose Collets / Guide Bushes

Machine Make & Model	
Collet / Guide Bush Part Number	

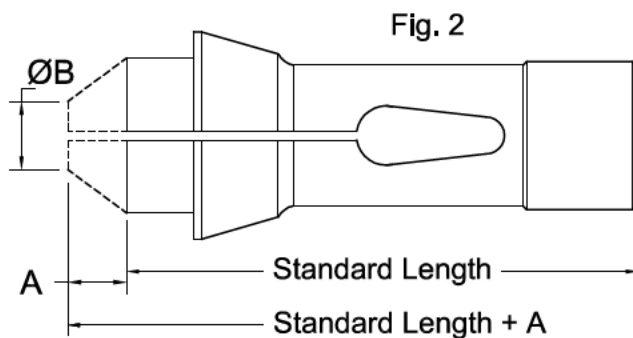
Collet



Straight Nose Extended Nose Collet

A : _____

Bore Dia : _____



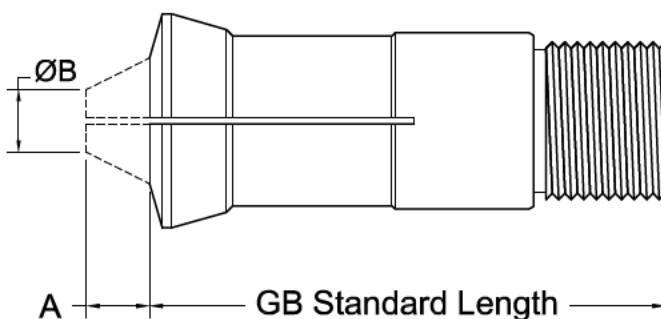
Tapered Nose Extended Nose Collet

A : _____

$\varnothing B$: _____

Bore Dia : _____

Guide Bush



Extended Nose Guide Bush

A : _____

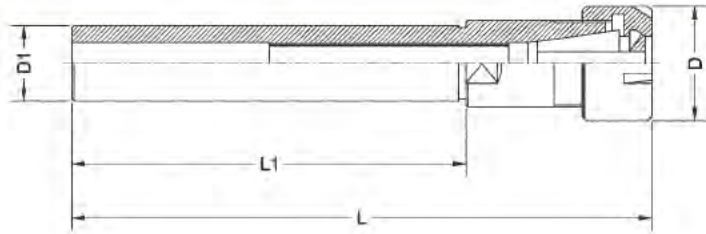
$\varnothing B$: _____

Bore Dia : _____



- **Range of Cylindrical ER Collet Shanks made from high quality special steels under controlled process**
- **The Shank is made to h6 standards for providing higher accuracy and tool life**
- **The Run-out is maintained within 0.005mm from shank dia to ERcavity taper**
- **Used for a wide range of tool holding application in Maching centers, Swiss type automatic lathes for drilling, milling application**
- **Wide Variety of shanks types - including Round, Round with flat in Single / Double ends offered in both metric and Inch Sizes**
- **These Cylindrical shanks are supplied with clamping nuts (without ER Collet)**
- **The shanks can be provided with back-up screw - upon request**

ER Cylindrical Holder



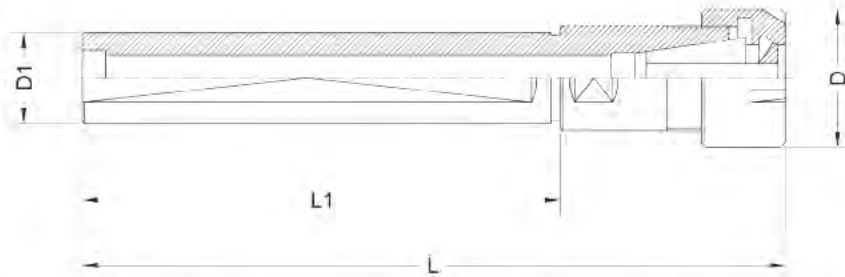
Single End - ER Cylindrical Holders with Mini Nut - Inch series

Part Nr.	ØD mm	ØD1 mm	L mm	L1 mm
ERS/SE-3/8" x 070 / ER 8 M	12	9.52	93.0	70
ERS/SE-1/2" x 140 / ER 11 M	16	12.7	169.5	140
ERS/SE-1/2" x 140 / ER 16 M	22	12.7	177.0	140
ERS/SE-5/8" x 150 / ER 11 M	16	15.87	172.5	150
ERS/SE-3/4" x 155 / ER 16 M	22	19.05	181.5	155
ERS/SE-3/4" x 100 / ER 16 M	35	19.05	147.0	100
ERS/SE-1" x 155 / ER 20 M	28	25.5	181.5	155

Single End - ER Cylindrical Holders with Mini Nut - Metric series

Part Nr.	ØD mm	ØD1 mm	L mm	L1 mm
ERS/SE 06 x 045 / ER 11 M	16	6	71.5	45
ERS/SE 07 x 045 / ER 11 M	16	7	71.5	45
ERS/SE 08 x 080 / ER 8 M	12	8	106.0	80
ERS/SE 08 x 056 / ER 11 M	16	8	82.5	56
ERS/SE 10 x 060 / ER 16 M	22	10	98.5	60
ERS/SE 12 x 080 / ER 8 M	12	12	97.0	80
ERS/SE 12 x 080 / ER 16 M	22	12	118.5	80
ERS/SE 15 x 100 / ER 20 M	28	15	142.5	100
ERS/SE 16 x 150 / ER 11 M	16	16	171.0	150
ERS/SE 16 x 100 / ER 20 M	28	16	142.5	100
ERS/SE 20 x 155 / ER 16 M	22	20	181.5	155
ERS/SE 25 x 155 / ER 20 M	28	25	181.5	155

ER Cylindrical Holder

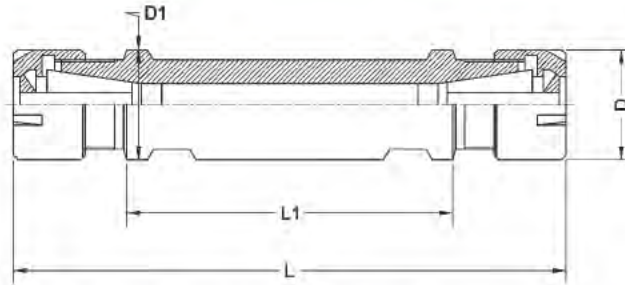


Single End - ER Cylindrical Holders - Flat with Mini Nut - Inch series

Part Nr.	ØD mm	ØD1 mm	L mm	L1 mm
ERS/SE-F- 5/8" x 043 / ER 8 MF	12	15.875	58	43
ERS/SE-F- 3/4" x 115 / ER 11 MF	16	19.05	135	115
ERS/SE-F- 3/4" x 050 / ER 16 MF	22	19.05	78	50
ERS/SE-F- 3/4" x 070 / ER 16 MF	22	19.05	98	70
ERS/SE-F- 3/4" x 120 / ER 16 MF	22	19.05	148	120
ERS/SE-F- 1" x 075 / ER 16 MF	22	25.4	103	75
ERS/SE-F- 1" x 100 / ER 16 MF	22	25.4	128	100
ERS/SE-F- 1" x 100 / ER 20 MF	28	25.4	128	100
ERS/SE-F- 1" x 140 / ER 20 MF	28	25.4	168	140

Single End - ER Cylindrical Holders - Flat with Mini Nut - Metric series

Part Nr.	ØD mm	ØD1 mm	L mm	L1 mm
ERS/SE-F- 16 x 038 / ER 11 MF	16	16	58	38
ERS/SE-F- 16 x 140 / ER 11 MF	16	16	160	140
ERS/SE-F- 20 x 050 / ER 16 MF	22	20	78	50
ERS/SE-F- 20 x 120 / ER 16 MF	22	20	148	120
ERS/SE-F- 20 x 140 / ER 16 MF	22	20	148	140
ERS/SE-F- 22 x 038 / ER 16 MF	22	22	66	38
ERS/SE-F- 22 x 070 / ER 16 MF	22	22	98	70
ERS/SE-F- 22 x 100 / ER 16 MF	22	22	128	100
ERS/SE-F- 22 x 080 / ER 20 MF	28	22	119	80
ERS/SE-F- 22 x 070 / ER 25 MF	35	22	117	70
ERS/SE-F- 25 x 065 / ER 16 MF	22	25	93	65
ERS/SE-F- 25 x 100 / ER 20 MF	28	25	128	100
ERS/SE-F- 25 x 154 / ER 20 MF	28	25	182	154
ERS/SE-F- 25 x 075 / ER 25 MF	35	25	122	75
ERS/SE-F- 25 x 145 / ER 25 MF	35	25	181	145
ERS/SE-F- 32 x 070 / ER 25 MF	35	32	100	70



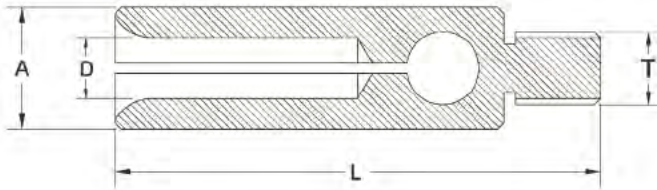
Double End - ER Cylindrical Holders - Flat with Mini Nut - Inch series

Part Nr.	$\varnothing D$ mm	$\varnothing D1$ mm	L mm	L1 mm
ERS/DE-F- 5/8" x 015 / ER 8 MF	12	15.875	45	15
ERS/DE-F- 5/8" x 025 / ER 8 MF	12	15.875	55	25
ERS/DE-F- 3/4" x 040 / ER 11 MF	16	19.05	80	40
ERS/DE-F- 3/4" x 070 / ER 11 MF	16	19.05	110	70
ERS/DE-F- 3/4" x 090 / ER 11 MF	16	19.05	130	90
ERS/DE-F- 3/4" x 055 / ER 16 MF	22	19.05	107	55
ERS/DE-F- 1" x 062 / ER 16 MF	22	25.4	118	62

Double End - ER Cylindrical Holders - Flat with Mini Nut - Metric series

Part Nr.	$\varnothing D$ mm	$\varnothing D1$ mm	L mm	L1 mm
ERS/DE-F-16 x 050 / ER 11 MF	16	16	90	50
ERS/DE-F-20 x 030 / ER 11 MF	16	20	70	30
ERS/DE-F-20 x 050 / ER 11 MF	16	20	90	50
ERS/DE-F-20 x 055 / ER 16 MF	22	20	107	55
ERS/DE-F-22 x 055 / ER 16 MF	22	22	111	55
ERS/DE-F-22 x 075 / ER 16 MF	22	22	131	75
ERS/DE-F-25 x 062 / ER 16 MF	22	25	118	62
ERS/DE-F-32 x 055 / ER 20 MF	28	32	111	55
ERS/DE-F-32 x 075 / ER 20 MF	28	32	131	75

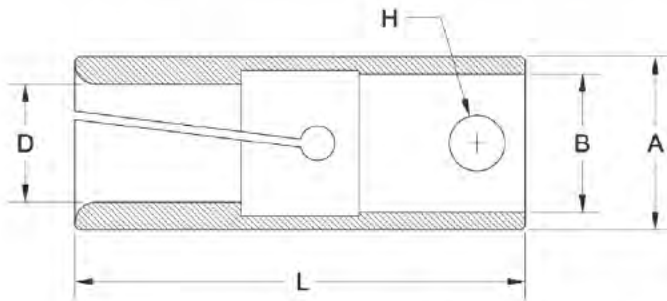
Bar Feeder - Collets



Citizen CAV Bar Feed Collets

All Dimension are in mm - Unless Otherwise Specified

Tecnicrafts Part Nr.	Others Part Nr.	Barfeeder Model	Guiding Dia	Length	Thread	Range in inch
			$\varnothing A$	L	T	
BF7/02	FC7D-L	CAV16/20L-IS	7	40	6 x 1 LH	0.062 - 0.200"
BF10/01	FC10D-L	CAV12M-IS	10	40	6 x 1 LH	0.078 - 0.315"
BF12/02	FC12D-L	CAV12M-IS	12	40	6 x 1 LH	0.300 - 0.400"

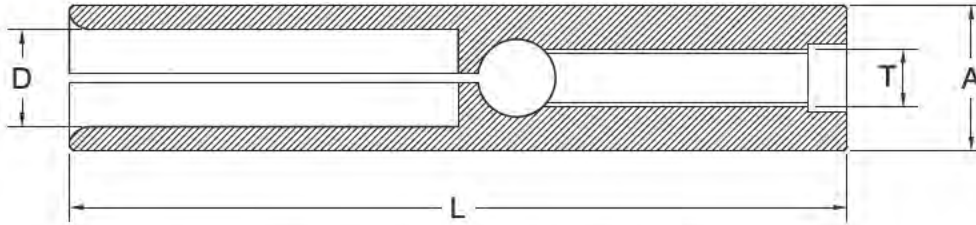


Citizen CAV - Bar loader Collets

All Dimension are in mm - Unless Otherwise Specified

Tecnicrafts Part Nr.	Others Part Nr.	Barfeeder Model	Guiding Dia	Bore Dia	Length	Pin Hole Dia	Range in inch
			$\varnothing A$	$\varnothing B$	L	$\varnothing H$	
BF15/01	CIT15NF	CAV16/20L-IS	15	10	55	6	0.118 - 0.546
BF17/03	CIT17NF	CAV16/20L-IS	17	10	55	6	0.546 - 0.629
BF19/02	CIT19NF	CAV20L-IS	19	10	57	6	0.629 - 0.669
BF20/05	CIT21NF	CAV20L-IS	20.1	10	56	6	0.669 - 0.708
BF25/03	FC25NF		25	16	76	8	0.200 - 0.875
BF32/06	FC32NF		32	16	76	8	0.625 - 1.140
BF34/03	FC34NF		34	16	76	8	0.750 - 1.215

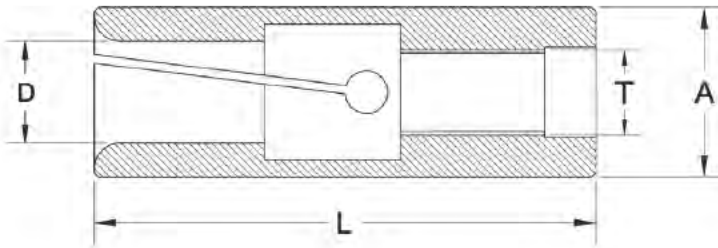
Bar Feeder - Collets



Citizen CAV Bar Feed Collets

All Dimension are in mm - Unless Otherwise Specified

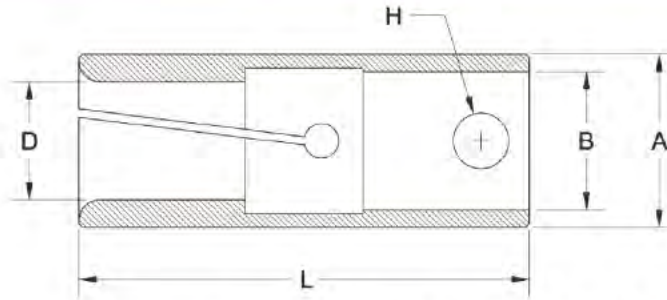
Tecnibrafts Part Nr.	Others Part Nr.	Barfeeder Model	Guiding Dia	Length	Thread	Range in mm
			$\varnothing A$	L	T	
BF4.5/01	AL4.5L		4.5	27	3 x 0.5 LH	0.04 - 0.120
BF5.5/02	AL5.5L		5.5	27	3 x 0.5 LH	0.04 - 0.150



CNC (Formerly MTA) Bar Feed Collets for Eagle / Sunny 542, Eagle 545, Tracer 32

Tecnibrafts Part Nr.	Other Part Nr.	Barfeeder Model	Guiding Dia	Length	Thread	Range in inch
			$\varnothing A$	L	T	
BF20/04	FEDEK 20		20	60	10 x 1 L.H.	0.100 - 0.700"
BF27/04	FEDEK 27		27	57	10 x 1 L.H.	0.200 - 0.937"
BF30/06	FEDEK 30		30	65	17 x 1 L.H.	0.200 - 1.062"
BF32/02	FEDEK 31.5		32	80	25 x 1.5 L.H.	0.200 - 1.140"
BF42/04	FEDEK 41.5		42	80	25 x 1.5 L.H.	0.500 - 1.500"
BF45/01	FEDEK 45		45	80	25 x 1.5 L.H.	0.500 - 1.650"

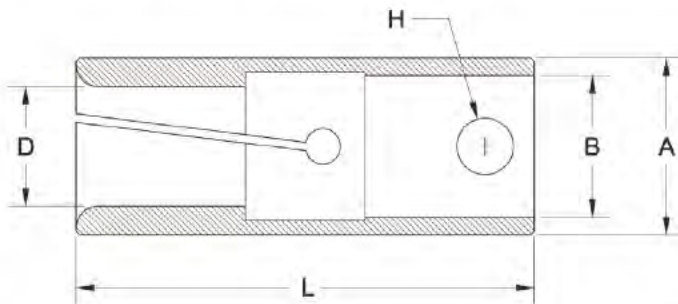
Bar Feeder - Collets



CNC (Formerly MTA) Bar Feed Collets for Mini Swiss and Tracer

All Dimension are in mm - Unless Otherwise Specified

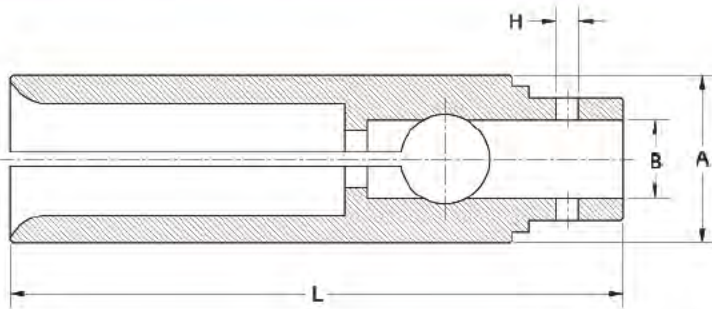
Tecnicrafts Part Nr.	Others Part Nr.	Guiding Dia	Bore Dia	Length	Pin Hole Dia	Range in inch
		$\varnothing A$	$\varnothing B$	L	$\varnothing H$	
BF12/05	12D	12	8	40	4	0.100 - 0.400"
BF15/06	15D	15	11	40	6	0.125 - 0.500"
BF20/06	20D	20	14	65	8	0.125 - 0.700"
BF25/02	25D	25	20	65	8	0.200 - 0.900"



FMB Bar Feed Collets - Style D

Tecnicrafts Part Nr.	Others Part Nr.	Guiding Dia	Bore Dia	Length	Pin Hole Dia	Range in inch
		$\varnothing A$	$\varnothing B$	L	$\varnothing H$	
BF05/03	5D	5	M4x0.70	28		0.050 - 0.150"
BF07/05	7D	7	M5x0.80	28		0.050 - 0.220"
BF10/02	10D	10	7	40	4	0.050 - 0.320"
BF12/05	12D	12	8	40	4	0.090 - 0.400"
BF15/06	15D	15	11	40	6	0.100 - 0.510"
BF18/01	18D/15	18	11	40	6	0.200 - 0.625"
BF18/08	18D/NS	18	11	65	8	0.200 - 0.625"
BF18/09	18D	18	14	65	8	0.200 - 0.625"
BF20/06	20D	20	14	65	8	0.100" - 0.675"
BF22/02	22D/20	22	14	65	8	0.200 - 0.750"
BF25/02	25D	25	20	65	8	0.200 - 0.875"
BF28/01	28D	28	20	65	8	0.500 - 1.000"
BF32/07	32D	32	20	95	8	0.625 - 1.140"

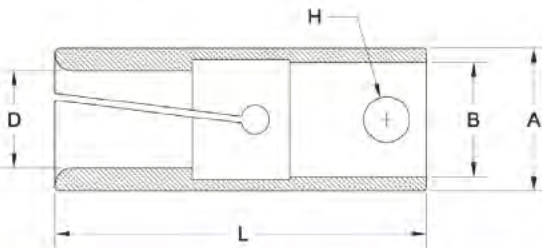
Bar Feeder - Collets



Ikura Bar Feed Collets

All Dimension are in mm - Unless Otherwise Specified

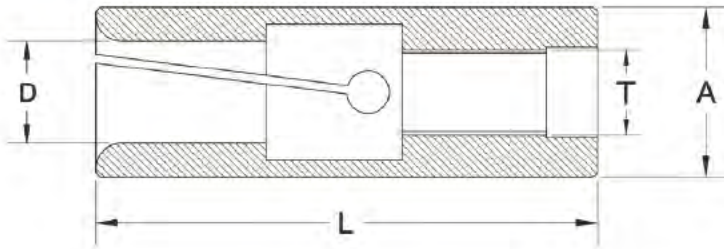
Tecnicrafts Part Nr.	Others Part Nr.	Guiding Dia	Bore Dia	Length	Pin Hole Dia	Range in inch
		ØA	ØB	L	ØH	
BF15/10	FC15F	15	7	55	2	0.100 - 0.500"
BF17/04	FC17F	17	9	55	2	0.100 - 0.590"
BF19/04	FC19F	19	10	57	2	0.100 - 0.650"



LNS Bar Feed Collets - Style D

Tecnicrafts Part Nr.	Others Part Nr.	Guiding Dia	Bore Dia	Length	Pin Hole Dia	Range in inch
		ØA	ØB	L	ØH	
BF06/01	LN6D	6	4 x .7	30	—	0.070 - 0.175"
BF07/06	LN7D	7	5 x .8	37	—	0.120 - 0.200"
BF10/02	10D	10	7	40	4	0.200 - 0.315"
BF12/05	12D	12	8	40	4	0.250 - 0.400"
BF14/03	LN14D	14	8	40	4	0.320 - 0.475"
BF15/06	15D	15	11	40	6	0.400 - 0.500"
BF18/01	18D/15	18	11	40	6	0.520 - 0.625"
BF20/06	20D	20	14	65	8	0.525 - 0.700"
BF21/02	LN21D	21	14	65	8	0.550 - 0.750"
BF22/02	22D/20	22	14	65	8	0.630 - 0.800"
BF25/02	25D	25	20	65	8	0.710 - 0.900"
BF27/05	LN27D	27	20	65	8	0.830 - 0.950"
BF28/01	28D	28	20	65	8	0.890 - 1.000"
BF30/02	LN30D	30	20	65	8	0.985 - 1.100"
BF32/05	LN32D	32	20	65	8	0.985 - 1.150"

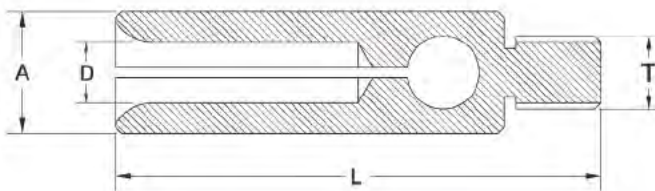
Bar Feeder - Collets



IEMCA Bar Feed Collets

All Dimension are in mm - Unless Otherwise Specified

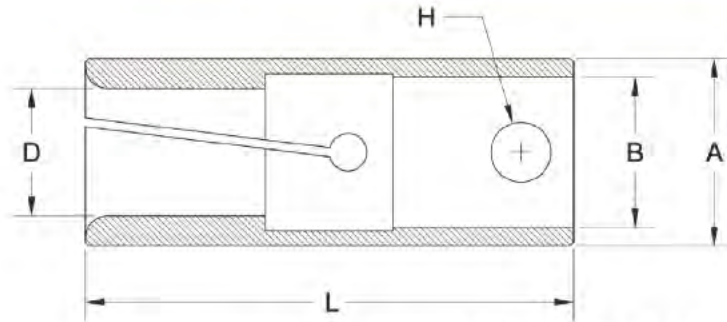
Tecnicrofts Part Nr.	Others Part Nr.	Barfeeder Model	Guiding Dia	Length	Thread	Range in mm
			ØA	L	T	
BF7.5/02	IEMCA #7.5		7.5	40	5 x 0.5	3 - 6
BF10/04	IEMCA #10		10	40	6 x 0.75	3 - 8
BF12/06	IEMCA #12		12	42	7 x 0.75	4 - 10
BF15/02	IEMCA #15		15	42	8 x 1	5 - 13
BF18/07	IEMCA #18		18	42	8 x 1	7 - 16
BF20/03	IEMCA #20		20	59	10 x 1	7 - 18
BF23/04	IEMCA #22.5		23	59	10 x 1	7 - 20.50
BF25/06	IEMCA #25		25	59	10 x 1	8 - 23
BF27/02	IEMCA #27		27	65	10 x 1	8 - 25
BF32/04	IEMCA #32		32	80	25 x 1.5	10 - 30
BF42/08	IEMCA #42		42	80	25 x 1.5	10 - 38
BF45/03	IEMCA #45		45	80	25 x 1.5	10 - 41



Ikura Bar Feed Collets

Tecnicrofts Part Nr.	Others Part Nr.	Barfeeder Model	Guiding Dia	Length	Thread	Range in inch
			ØA	L	T	
BF8/01	FC8D	IBF-10NHE	8	40	6 x 1 LH	0.050 - 0.250"
BF8/01	FC8D	IBF-12NHE	8	40	6 x 1 LH	0.050 - 0.250"
BF10/01	FC10D	IBF-10NHE	10	40	6 x 1 LH	0.075 - 0.315"
BF12/02	FC12D	IBF-12NHE	12	40	6 x 1 LH	0.100 - 0.400"
BF14/02	FC14D	IBF-14NHE	14	40	6 x 1 LH	0.100 - 0.450"

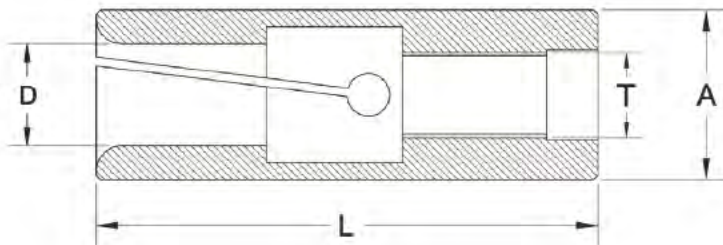
Bar Feeder - Collets



Robobar Bar Feed Collets

All Dimension are in mm - Unless Otherwise Specified

Tecnicrofts Parts Nr.	Others Part Nr.	Guiding Dia	Bore Dia	Length	Pin Hole Dia	Range in inch
		$\varnothing A$	$\varnothing B$	L	$\varnothing H$	
BF05/03	5D	5	M4x0.70	28	-	0.050 - 0.150"
BF07/05	7D	7	M5x0.80	28	-	0.050 - 0.220"
BF10/02	10D	10	7	40	4	0.050 - 0.320"
BF12/05	12D	12	8	40	4	0.090 - 0.400"
BF15/06	15D	15	11	40	6	0.100 - 0.510"
BF18/09	18D	18	14	65	6	0.200 - 0.625"
BF20/06	20D	20	14	65	8	0.100" - 0.675"
BF25/02	25D	25	20	65	8	0.200 - 0.875"
BF28/01	28D	28	20	65	8	0.500 - 1.000"



STAR Bar Feed Collets

Tecnicrofts Parts Nr.	Others Part Nr.	Barfeeder Model	Guiding Dia	Length	Thread	Range in inch
			$\varnothing A$	L	T	
BF10/11	AL10L	-	10	40	M6x1 LH	0.050 - 0.320"
BF16/01	AL16L	-	16	73	M10x1 LH	0.050 - 0.550"

We constantly upgrade our products and therefore the specifications contained in our Catalog are only for guidance purpose and are subject to change without notice.

Options for collets



Collet - Smooth Bore



Collet with Carbide Insert



Collet - Grooved Bore



Collet with Silicon Seal



Collet - Serrated Bore



Collet - V - Line



Collet - Stepped Bore



Collet with Key on Cone



Collet - Square Bore



Collet with Key on Guiding Dia



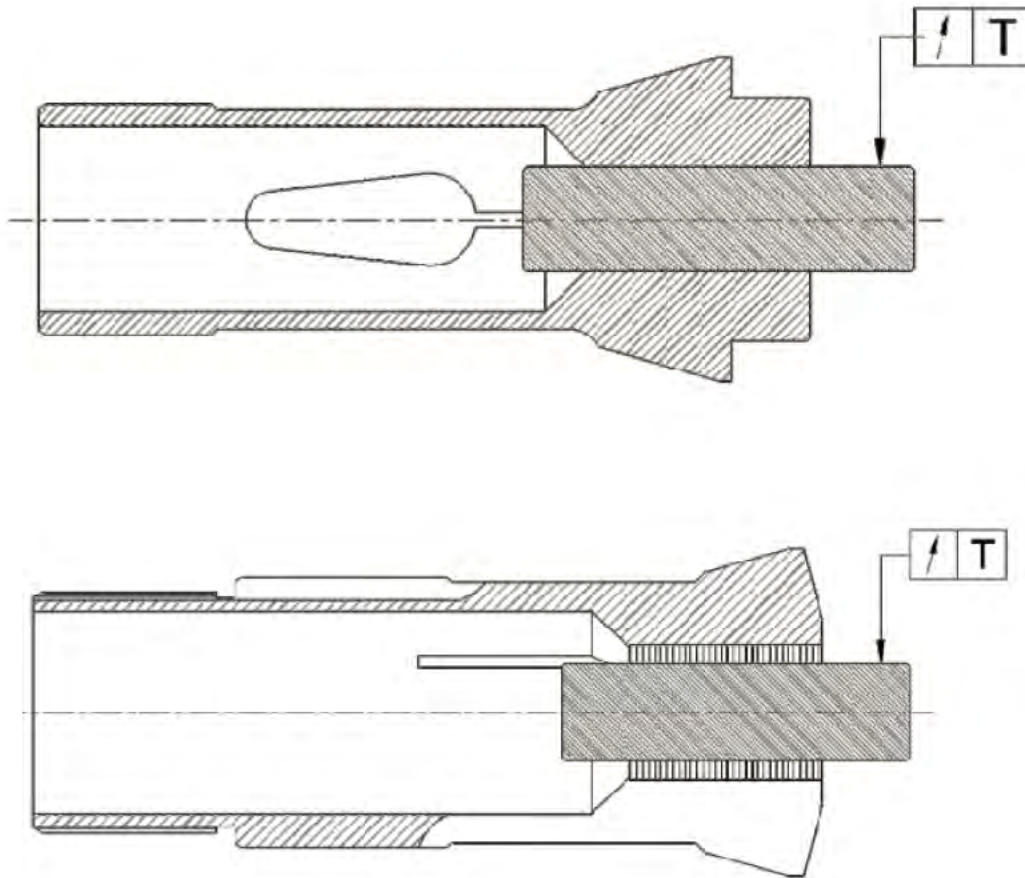
Collet - Rect., Bore



Collet - Hexagon Bore



Collet - Special Bore



Run - Out Tolerance

All Dimension are in mm - Unless Otherwise Specified

Bore Size	Round Bores (T Maximum)		Hex. / Sq. Bores (T Maximum)	
	Standard Precision	Ultra Precision	Standard Precision	Ultra Precision
1.00 - 10.00	0.010	0.005	0.060	0.030
10.01 - 20.00	0.015	0.008	0.060	0.040
20.01 - 30.00	0.020	0.010	0.060	0.040
30.01 - 40.00	0.025	0.012	0.060	0.040

Guide Bushes

Tecnicrafts Part Nr.	Others Part Nr.
UR9-101	PD4
UR11-102	TD7
UR11-103	SW7
UR14-104	P853D
UR16-105	P1053D
UR16-106	TD10
UR16-107	TD10T
UR18-108	SD125R
UR18-109	TD18T
UR21-110	SNC15
UR21-111	TRB468
UR22-112	P1653D
UR22-113	TD20
UR22-114	TD20R
UR23-115	TSG20R
UR26-116	TD26
UR28-117	TD25
UR28-118	TD25S
UR28-119	TD25NS
UR30-120	NN20KD
UR32-121	TSD20
UR33-122	TD33
UR34-123	CD25
UR36-124	P2553D
UR41-125	BS32B
UR42-126	TD32S
UR42-127	TD32
UR45-128	TD45
UR46-129	TD38
UR48-130	STM38
UR24-131	0201
UR52-132	

Collets

Tecnicrafts Part Nr.	Others Part Nr.
USF8-8001	TF8
USF10-8002	TF10
USF13-8003	TF13
USF15-8004	TF15
USF16-8005	TF16
USF20-8006	F20-201
USF20-8007	TF20
USF22-8008	TF22
USF23.8-8009	TF24
USF25-8010	TF25
USF25-8011	156
USF26-8012	NN20KFC
USF30-8013	TF30
USF30-8014	161
USF32-8015	F32-221
USF32-8016	P2553C
USF34-8017	TF34
USF37-8018	BS32C
USF37-8019	TF37
USF40-8020	F40-SL35
USF43-8021	TF43
USF44-8022	TF44
USF48-8023	BS38
USF48-8024	TF48 (B42)
USF37-8025	TF37SP
USF32-8026	166
USF54-8027	
SF33/9043	S25-HM (HARDINGE)



PLATINUM TOOLING

Platinum Tooling Technologies, Inc.

16 E. Piper Lane, Suite 128
Prospect Heights, IL 60070

Phone: (847) 749-0633

E--mail: info@platinumtooling.com

Web: www.platinumtooling.com

