



Browse our Catalog

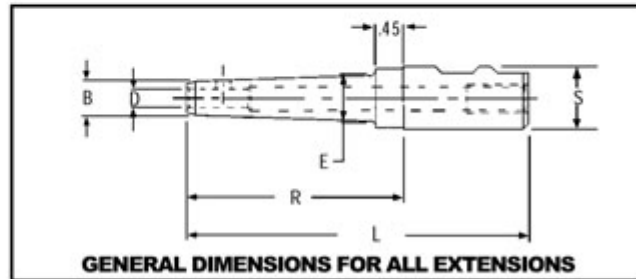
- [LRM Mini Series Extensions](#)
- [LRX Series End Mill Extensions](#)
- [EMX End Mill Extensions](#)
- [BT-30 End Mill Extensions](#)
- [CAT-45/BT-45 End Mill Extensions](#)
- [BT-40 End Mill Extensions](#)
- [CAT-40 End Mill Extensions](#)
- [CAT-50 End Mill Extensions](#)
- [BT-50 End Mill Extensions](#)
- [NMTB 50 End Mill Extensions](#)
- [R-8 Adapters](#)
- [Face Mill Keys](#)
- [Replacement Endmill Holder Screws](#)
- [Replacement Tap Driver Screws](#)
- [Replacement Face Mill & Shell Mill Screws](#)
- [QSX Snap Switch Extensions](#)
- [Face Mill Extensions](#)
- [LRX-FMX Adapter](#)
- [Stub Arbor](#)
- [Compensators](#)
- [Flange Mount Face Mill Extensions](#)
- [Flange Mount End Mill Extensions](#)
- [Flange Mount Cutter Head Extensions](#)
- [Flange Mount 1-1/4 ID Extensions](#)
- [CHXF Adapters](#)
- [Cutter Head Extensions](#)
- [CHXA ID Adapter](#)
- [CHXE Cutter Head Extensions](#)
- [CHXS Adapter Post](#)
- [#25 ER Solid Extensions](#)
- [#32 ER Solid Extensions](#)
- [Standard Retention Knobs](#)
- [Retention Knobs](#)
- [BT-30 BT-40 Tap Drivers](#)
- [CAT-40 Tap Drivers](#)
- [CAT-50 Tap Drivers](#)
- [Stubby Holders](#)
- [CAT-40 Standard Balanced](#)
- [LRM & LRX Metrics](#)
- [CAT-40 Metrics](#)
- [BT-40 Metrics](#)
- [CAT-50 Metrics](#)
- [CAT-40 Metric Shank Tap Drivers](#)
- [CAT-50 Metric Shank Tap Drivers](#)
- [Hurricane™ Cutter Heads](#)
- [End Mill Hurricane™ Cutters](#)
- [Face/Shell Mill Hurricane™ Cutters](#)
- [Hurricane™ Series Inserts & Accessories](#)
- [Cutter Heads](#)
- [Hi-Tork Cutter Heads](#)
- [Long Range Back Draft Cutters](#)
- [High Helix Back Draft Cutters](#)
- [Blanks](#)

LRM Mini Series End Mill Extensions



- Hardened
- Precision Ground
- American Made

LRM Mini Series Extensions have 3/4" and 1" diameter shanks that allow use on a wide variety of CNC, NC, Bridgeports, and duplicating machines. Inside diameters start at 1/8" I.D. for small diameter cutters to reach cores and cavities in tight areas.



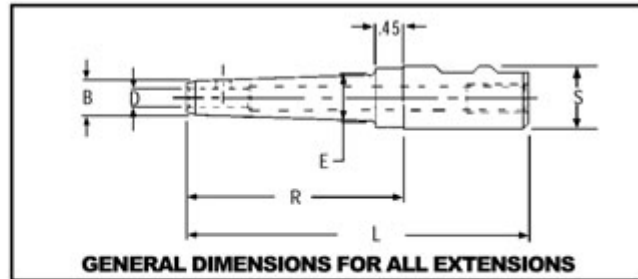
Catalog Number	D	L	R	S	B	E	List Price
LRM-.125-40-3	.125	4.00	2.00	.750	.32	.42	\$98.00
LRM-.125-50-3	.125	5.00	3.00	.750	.32	.49	\$103.00
LRM-.156-40-3	.156	4.00	2.00	.750	.35	.46	\$98.00
LRM-.156-50-3	.156	5.00	3.00	.750	.35	.53	\$103.00
LRM-.187-40-3	.187	4.00	2.00	.750	.38	.48	\$98.00
LRM-.187-50-3	.187	5.00	3.00	.750	.38	.54	\$103.00
LRM-.218-40-3	.218	4.00	2.00	.750	.41	.52	\$98.00
LRM-.218-50-3	.218	5.00	3.00	.750	.41	.59	\$103.00
LRM-.250-40-3	.250	4.00	2.00	.750	.45	.55	\$98.00
LRM-.250-50-3	.250	5.00	3.00	.750	.45	.62	\$103.00
LRM-.312-40-3	.312	4.00	2.00	.750	.51	.61	\$98.00
LRM-.312-50-3	.312	5.00	3.00	.750	.51	.68	103.00
LRM-.375-40-3	.375	4.00	2.00	.750	.63	.73	\$98.00
LRM-.375-50-3	.375	5.00	3.00	.750	.63	.73	\$103.00
LRM-.125-40-1	.125	4.00	2.00	1.00	.32	.42	\$104.00
LRM-.125-55-1	.125	5.50	3.50	1.00	.32	.53	\$110.00
LRM-.125-70-1	.125	7.00	5.00	1.00	.32	.63	\$114.00
LRM-.187-40-1	.187	4.00	2.00	1.00	.38	.48	\$104.00
LRM-.187-55-1	.187	5.50	3.50	1.00	.38	.59	\$110.00
LRM-.187-70-1	.187	7.00	5.00	1.00	.38	.69	\$114.00

LRM-.250-40-1	.250	4.00	2.00	1.00	.45	.55	\$104.00
LRM-.250-55-1	.250	5.50	3.50	1.00	.45	.66	\$110.00
LRM-.250-70-1	.250	7.00	5.00	1.00	.45	.76	\$114.00
LRM-.312-40-1	.312	4.00	2.00	1.00	.51	.61	\$104.00
LRM-.312-55-1	.312	5.50	3.50	1.00	.51	.72	\$110.00
LRM-.312-70-1	.312	7.00	5.00	1.00	.51	.82	\$114.00
LRM-.375-40-1	.375	4.00	2.00	1.00	.63	.73	\$104.00
LRM-.375-55-1	.375	5.50	3.50	1.00	.63	.84	\$110.00
LRM-.375-70-1	.375	7.00	5.00	1.00	.63	.94	\$114.00
LRM-.437-40-1	.437	4.00	2.00	1.00	.73	.83	\$104.00
LRM-.437-55-1	.437	5.50	3.50	1.00	.73	.94	\$110.00
LRM-.437-70-1	.437	7.00	5.00	1.00	.73	.97	\$114.00
LRM-.500-40-1	.500	4.00	2.00	1.00	.83	.93	\$104.00
LRM-.500-55-1	.500	5.50	3.50	1.00	.83	.97	\$110.00
LRM-.500-70-1	.500	7.00	5.00	1.00	.83	.97	\$114.00



- Hardened
- Precision Ground
- American Made

LRM Mini Series Extensions have 3/4" and 1" diameter shanks that allow use on a wide variety of CNC, NC, Bridgeports, and duplicating machines. Inside diameters start at 1/8" I.D. for small diameter cutters to reach cores and cavities in tight areas.

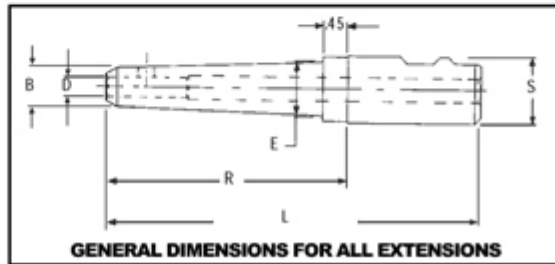


LRX Series End Mill Extensions



LRX Series End Mill Extensions are designed to give rigidity and strength to small diameter carbide and HSS end mills in hard to reach areas. A clearance hole extends through the entire holder for easy knock out and to accept double end end mills.

- Hardened
- Precision Ground
- American Made



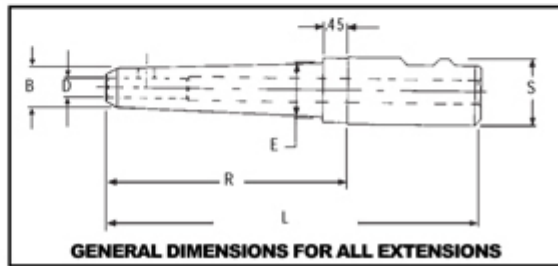
Catalog Number	D	L	R	S	B	E	List Price
LRX-.125-5	.125	5.00	2.50	1.250	.32	.46	\$179.00
LRX-.125-7	.125	7.00	4.50	1.250	.32	.60	\$190.00
LRX-.125-9	.125	9.00	6.50	1.250	.32	.74	\$202.00
LRX-.187-5	.187	5.00	2.50	1.250	.38	.52	\$179.00
LRX-.187-7	.187	7.00	4.50	1.250	.38	.66	\$190.00
LRX-.187-9	.187	9.00	6.50	1.250	.38	.80	\$202.00
LRX-.250-5	.250	5.00	2.50	1.250	.50	.64	\$179.00
LRX-.250-7	.250	7.00	4.50	1.250	.50	.78	\$190.00
LRX-.250-9	.250	9.00	6.50	1.250	.50	.92	\$202.00
LRX-.312-5	.312	5.00	2.50	1.250	.56	.70	\$179.00
LRX-.312-7	.312	7.00	4.50	1.250	.56	.84	\$190.00
LRX-.312-9	.312	9.00	6.50	1.250	.56	.98	\$202.00
LRX-.375-5	.375	5.00	2.50	1.250	.75	.88	\$179.00
LRX-.375-7	.375	7.00	4.50	1.250	.75	1.02	\$190.00
LRX-.375-9	.375	9.00	6.50	1.250	.75	1.16	\$202.00
LRX-.437-5	.437	5.00	2.50	1.250	.81	.94	\$179.00
LRX-.437-7	.437	7.00	4.50	1.250	.81	1.08	\$190.00
LRX-.437-9	.437	9.00	6.50	1.250	.81	1.22	\$202.00
LRX-.500-5	.500	5.00	2.50	1.250	.87	1.00	\$179.00
LRX-.500-7	.500	7.00	4.50	1.250	.87	1.14	\$190.00

LRX-.500-9	.500	9.00	6.50	1.250	.87	1.23	\$202.00
LRX-.500-11	.500	11.00	8.50	1.250	.87	1.23	\$225.00
LRX-.625-5	.625	5.00	2.50	1.250	1.06	1.19	\$179.00
LRX-.625-7	.625	7.00	4.50	1.250	1.06	1.23	\$190.00
LRX-.625-9	.625	9.00	6.50	1.250	1.06	1.23	\$202.00
LRX-.750-5 *	.750	5.00	2.50	1.250	1.18	1.23	\$179.00
LRX-.750-7	.750	7.00	4.50	1.250	1.18	1.23	\$190.00
LRX-.750-9	.750	9.00	6.50	1.250	1.18	1.23	\$202.00
LRX-.750-11	.750	11.00	8.50	1.250	1.18	1.23	\$225.00



LRX Series End Mill Extensions are designed to give rigidity and strength to small diameter carbide and HSS end mills in hard to reach areas. A clearance hole extends through the entire holder for easy knock out and to accept double end end mills.

- Hardened
- Precision Ground
- American Made

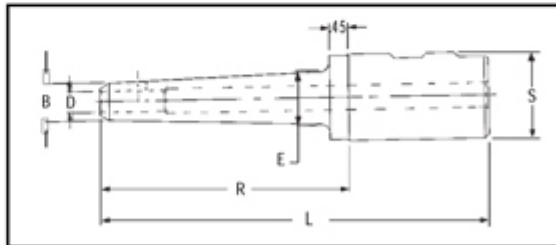


EMX End Mill Extensions



These Precision Components End Mill Extensions are designed for hard to reach machining applications such as deep cavity and pocket milling. They provide excellent rigidity and accept single and double end mills. Unique features include four flats 90° apart and a through hole.

- Hardened
- Precision Ground
- American Made



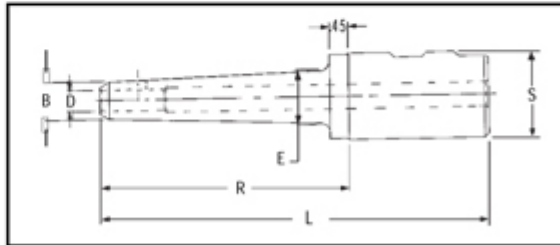
Catalog Number	D	L	R	S	B	E	List Price
EMX-.375-6	.375	6.00	3.00	2.00	.75	.90	\$271.00
EMX-.375-9	.375	9.00	6.00	2.00	.75	1.11	\$288.00
EMX-.375-12	.375	12.00	9.00	2.00	.75	1.32	\$311.00
EMX-.375-15	.375	15.00	12.00	2.00	.75	1.53	\$340.00
EMX-.437-6	.437	6.00	3.00	2.00	.81	.97	\$271.00
EMX-.437-9	.437	9.00	6.00	2.00	.81	1.18	\$288.00
EMX-.437-12	.437	12.00	9.00	2.00	.81	1.39	\$311.00
EMX-.437-15	.437	15.00	12.00	2.00	.81	1.60	\$340.00
EMX-.500-6	.500	6.00	3.00	2.00	.88	1.03	\$271.00
EMX-.500-9	.500	9.00	6.00	2.00	.88	1.24	\$288.00
EMX-.500-12	.500	12.00	9.00	2.00	.88	1.45	\$311.00
EMX-.500-15	.500	15.00	12.00	2.00	.88	1.66	\$340.00
EMX-.625-6	.625	6.00	3.00	2.00	1.06	1.21	\$271.00
EMX-.625-9	.625	9.00	6.00	2.00	1.06	1.42	\$288.00
EMX-.625-12	.625	12.00	9.00	2.00	1.06	1.63	\$311.00
EMX-.625-15	.625	15.00	12.00	2.00	1.06	1.83	\$340.00
EMX-.750-6	.750	6.00	3.00	2.00	1.19	1.34	\$271.00
EMX-.750-9	.750	9.00	6.00	2.00	1.19	1.55	\$288.00
EMX-.750-12	.750	12.00	9.00	2.00	1.19	1.75	\$311.00
EMX-.750-15	.750	15.00	12.00	2.00	1.19	1.96	\$340.00

EMX-.875-6	.875	6.00	3.00	2.00	1.31	1.46	\$271.00
EMX-.875-9	.875	9.00	6.00	2.00	1.31	1.67	\$288.00
EMX-.875-12	.875	12.00	9.00	2.00	1.31	1.87	\$311.00
EMX-.875-15	.875	15.00	12.00	2.00	1.31	1.98	\$340.00
EMX-1.000-6	1.00	6.00	3.00	2.00	1.62	1.76	\$271.00
EMX-1.000-9	1.00	9.00	6.00	2.00	1.62	1.97	\$288.00
EMX-1.000-12	1.00	12.00	9.00	2.00	1.62	1.98	\$311.00
EMX-1.000-15	1.00	15.00	12.00	2.00	1.62	1.98	\$340.00
EMX-1.250-6	1.250	6.00	3.00	2.00	1.75	1.98	\$271.00
EMX-1.250-9	1.250	9.00	6.00	2.00	1.75	1.98	\$288.00
EMX-1.250-12	1.250	12.00	9.00	2.00	1.75	1.98	\$311.00
EMX-1.250-15	1.250	15.00	12.00	2.00	1.75	1.98	\$340.00



These Precision Components End Mill Extensions are designed for hard to reach machining applications such as deep cavity and pocket milling. They provide excellent rigidity and accept single and double end mills. Unique features include four flats 90° apart and a through hole.

- Hardened
- Precision Ground
- American Made



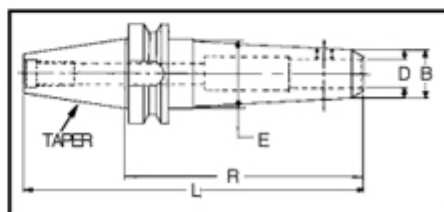
BT-30 End Mill Extensions



BT-30

- Hardened
- Precision Ground
- American Made

Precision Components' BT-30 tool holders are designed to give you maximum rigidity with extended lengths. They are available in 3-1/2" and 5" projections.



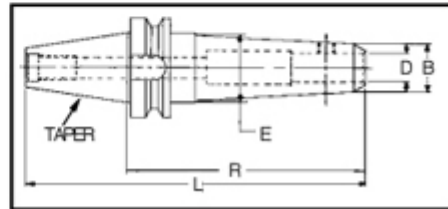
Catalog Number	D	L	R	Taper	B	E	List Price
BT-30-.125-3.5	.125	5.406	3.50	BT-30	.38	.53	\$202.00
BT-30-.125-5	.125	6.906	5.00	BT-30	.38	.64	\$242.00
BT-30-.187-3.5	.187	5.406	3.50	BT-30	.44	.59	\$202.00
BT-30-.187-5	.187	6.906	5.00	BT-30	.44	.70	\$242.00
BT-30-.250-3.5	.250	5.406	3.50	BT-30	.50	.65	\$202.00
BT-30-.250-5	.250	6.906	5.00	BT-30	.50	.76	\$242.00
BT-30-.312-3.5	.312	5.406	3.50	BT-30	.56	.71	\$202.00
BT-30-.312-5	.312	6.906	5.00	BT-30	.56	.82	\$242.00
BT-30-.375-3.5	.375	5.406	3.50	BT-30	.75	.89	\$202.00
BT-30-.375-5	.375	6.906	5.00	BT-30	.75	1.00	\$242.00
BT-30-.437-3.5	.437	5.406	3.50	BT-30	.81	.95	\$202.00
BT-30-.437-5	.437	6.906	5.00	BT-30	.81	1.06	\$242.00
BT-30-.500-3.5	.500	5.406	3.50	BT-30	.88	1.02	\$202.00
BT-30-.500-5	.500	6.906	5.00	BT-30	.88	1.13	\$242.00
BT-30-.625-3.5	.625	5.406	3.50	BT-30	1.06	1.25	\$202.00
BT-30-.625-5	.625	6.906	5.00	BT-30	1.06	1.25	\$242.00
BT-30-.750-3.5	.750	5.406	3.50	BT-30	1.19	1.32	\$202.00
BT-30-.750-5	.750	6.906	5.00	BT-30	1.19	1.43	\$242.00



BT-30

- Hardened
- Precision Ground
- American Made

Precision Components' BT-30 tool holders are designed to give you maximum rigidity with extended lengths. They are available in 3-1/2" and 5" projections.



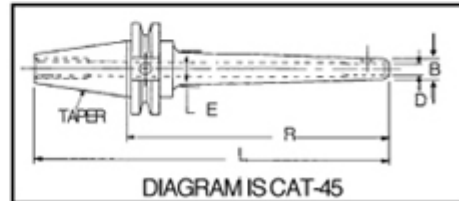
CAT-45/BT-45 End Mill Extensions



CAT-45/BT-45

Precision Components' CAT-45 and BT-45 tooling comes in (2) projections; 6" and 9". They are designed to give maximum rigidity at these extended lengths.

NOTE: When ordering 45 tapered holders, specify whether you want CAT-45 or BT-45. All other dimensions are the same.



Catalog Number	D	L	R	Taper	B	E	List Price
CAT-45-.250-6	.250	9.25	6.00	CAT-45/BT-45	.50	.83	\$305.00
CAT-45-.250-9	.250	12.25	9.00	CAT-45/BT-45	.50	1.04	\$351.00
CAT-45-.312-6	.312	9.25	6.00	CAT-45/BT-45	.56	.88	\$305.00
CAT-45-.312-9	.312	12.25	9.00	CAT-45/BT-45	.56	1.09	\$351.00
CAT-45-.375-6	.375	9.25	6.00	CAT-45/BT-45	.75	1.07	\$305.00
CAT-45-.375-9	.375	12.25	9.00	CAT-45/BT-45	.75	1.28	\$351.00
CAT-45-.500-6	.500	9.25	6.00	CAT-45/BT-45	.88	1.20	\$305.00
CAT-45-.500-9	.500	12.25	9.00	CAT-45/BT-45	.88	1.41	\$351.00
CAT-45-.625-6	.625	9.25	6.00	CAT-45/BT-45	1.06	1.38	\$305.00
CAT-45-.625-9	.625	12.25	9.00	CAT-45/BT-45	1.06	1.59	\$351.00
CAT-45-.750-6	.750	9.25	6.00	CAT-45/BT-45	1.19	1.51	\$305.00
CAT-45-.750-9	.750	12.25	9.00	CAT-45/BT-45	1.19	1.72	\$351.00
CAT-45-.875-6	.875	9.25	6.00	CAT-45/BT-45	1.31	1.63	\$305.00

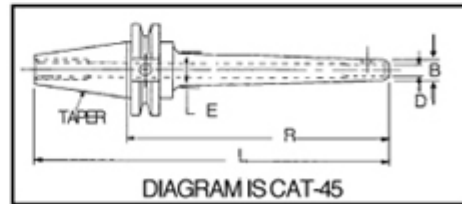
CAT-45-.875-9	.875	12.25	9.00	CAT-45/BT-45	1.31	1.84	\$351.00
CAT-45-1.000-6	1.00	9.25	6.00	CAT-45/BT-45	1.62	1.94	\$305.00
CAT-45-1.000-9	1.00	12.25	9.00	CAT-45/BT-45	1.62	2.15	\$351.00
CAT-45-1.250-6	1.250	9.25	6.00	CAT-45/BT-45	1.88	2.20	\$305.00
CAT-45-1.250-9	1.250	12.25	9.00	CAT-45/BT-45	1.88	2.41	\$351.00



CAT-45/BT-45

Precision Components' CAT-45 and BT-45 tooling comes in (2) projections; 6" and 9". They are designed to give maximum rigidity at these extended lengths.

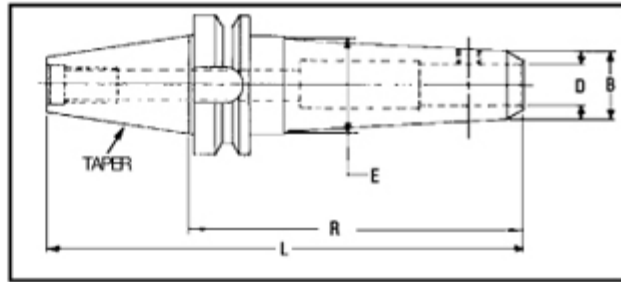
NOTE: When ordering 45 tapered holders, specify whether you want CAT-45 or BT-45. All other dimensions are the same.



BT-40 End Mill Extensions

- Hardened
- Precision Ground
- American Made

Precision Components BT-40 Flange Tooling is designed to give maximum rigidity at extended lengths. They are available in 4", 6" and 9" projections.



Catalog Number	D	L	R	Taper	B	E	List Price
BT-40-.125-4	.125	6.58	4.00	BT-40	.38	.55	\$213.00
BT-40-.125-6	.125	8.58	6.00	BT-40	.38	.69	\$259.00
BT-40-.125-9	.125	11.58	9.00	BT-40	.38	.90	\$294.00
BT-40-.187-4	.187	6.58	4.00	BT-40	.44	.61	\$213.00
BT-40-.187-6	.187	8.58	6.00	BT-40	.44	.75	\$259.00
BT-40-.187-9	.187	11.58	9.00	BT-40	.44	.96	\$294.00
BT-40-.250-4	.250	6.58	4.00	BT-40	.50	.67	\$213.00
BT-40-.250-6	.250	8.58	6.00	BT40	.50	.81	\$259.00
BT-40-.250-9	.250	11.58	9.00	BT-40	.50	1.02	\$294.00
BT-40-.312-4	.312	6.58	4.00	BT-40	.56	.73	\$213.00
BT-40-.312-6	.312	8.58	6.00	BT-40	.56	.87	\$259.00
BT-40-.312-9	.312	11.58	9.00	BT-40	.56	1.08	\$294.00
BT-40-.375-4	.375	6.58	4.00	BT-40	.75	.91	\$213.00
BT-40-.375-6	.375	8.58	6.00	BT-40	.75	1.05	\$259.00
BT-40-.375-9	.375	11.58	9.00	BT-40	.75	1.26	\$294.00
BT-40-.437-4	.437	6.58	4.00	BT-40	.81	.97	\$213.00
BT-40-.437-6	.437	8.58	6.00	BT-40	.81	1.11	\$259.00
BT-40-.437-9	.437	11.58	9.00	BT-40	.81	1.32	\$294.00
BT-40-.500-4	.500	6.58	4.00	BT-40	.88	1.04	\$213.00
BT-40-.500-6	.500	8.58	6.00	BT-40	.88	1.18	\$259.00
BT-40-.500-9	.500	11.58	9.00	BT-40	.88	1.39	\$294.00

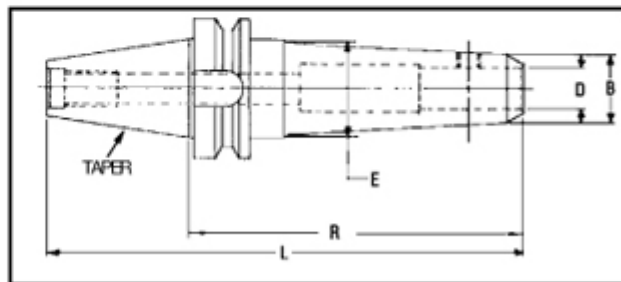
BT-40-.562-4	.562	6.58	4.00	BT-40	.94	1.10	\$213.00
BT-40-.562-6	.562	8.58	6.00	BT-40	.94	1.24	\$259.00
BT-40-.562-9	.562	11.58	9.00	BT-40	.94	1.45	\$294.00
BT-40-.625-4	.625	6.58	4.00	BT-40	1.06	1.22	\$213.00
BT-40-.625-6	.625	8.58	6.00	BT-40	1.06	1.36	\$259.00
BT-40-.625-9	.625	11.58	9.00	BT-40	1.06	1.56	\$294.00
BT-40-.750-4	.750	6.58	4.00	BT-40	1.19	1.35	\$213.00
BT-40-.750-6	.750	8.58	6.00	BT-40	1.19	1.49	\$259.00
BT-40-.750-9	.750	11.58	9.00	BT-40	1.19	1.69	\$294.00
BT-40-.875-4	.875	6.58	4.00	BT-40	1.31	1.47	\$213.00
BT-40-.875-6	.875	8.58	6.00	BT-40	1.31	1.61	\$259.00
BT-40-.875-9	.875	11.58	9.00	BT-40	1.31	1.75	\$294.00
BT-40-1.000-4	1.00	6.58	4.00	BT-40	1.62	1.75	\$213.00
BT-40-1.000-6	1.00	8.58	6.00	BT-40	1.62	1.75	\$259.00
BT-40-1.000-9	1.00	11.58	9.00	BT-40	1.62	1.75	\$294.00
BT-40-1.250-4	1.250	6.58	4.00	BT-40	1.88	2.03	\$213.00
BT-40-1.250-6	1.250	8.58	6.00	BT-40	1.88	2.17	\$259.00
BT-40-1.250-9	1.250	11.58	9.00	BT-40	1.88	2.38	\$294.00



- Hardened
- Precision Ground
- American Made

Precision Components BT-40

Flange Tooling is designed to give maximum rigidity at extended lengths. They are available in 4", 6" and 9" projections.

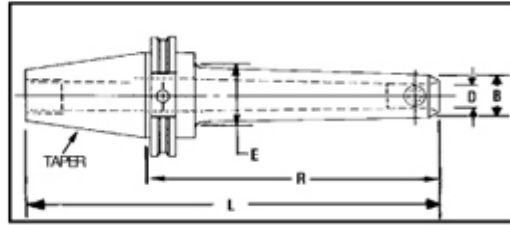


CAT-40 End Mill Extensions



Precision Components CAT-40 V-Flange Tooling is designed to give maximum rigidity at extended lengths. They are available in 4", 6" and 9" projections.

- Hardened
- Precision Ground
- American Made



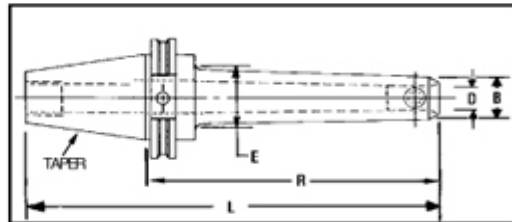
Catalog Number	D	L	R	Taper	B	E	List Price
CAT-40-.125-4	.125	6.680	4.00	CAT-40	.38	.56	\$213.00
CAT-40-.125-6	1.25	8.680	6.00	CAT-40	.38	.70	\$259.00
CAT-40-.125-9	.125	11.680	9.00	CAT-40	.38	.91	\$294.00
CAT-40-.187-4	.187	6.680	4.00	CAT-40	.44	.62	\$213.00
CAT-40-.187-6	.187	8.680	6.00	CAT-40	.44	.76	\$259.00
CAT-40-.187-9	.187	11.680	9.00	CAT-40	.44	.97	\$294.00
CAT-40-.250-4	.250	6.680	4.00	CAT-40	.50	.68	\$213.00
CAT-40-.250-6	.250	8.680	6.00	CAT-40	.50	.82	\$259.00
CAT-40-.250-9	.250	11.680	9.00	CAT-40	.50	1.03	\$294.00
CAT-40-.312-4	.312	6.680	4.00	CAT-40	.56	.74	\$213.00
CAT-40-312-6	.312	8.680	6.00	CAT-40	.56	.88	\$259.00
CAT-40-.312-9	.312	11.680	9.00	CAT-40	.56	1.09	\$294.00
CAT-40-.375-4	.375	6.680	4.00	CAT-40	.75	.92	\$213.00
CAT-40-.375-6	.375	8.680	6.00	CAT-40	.75	1.06	\$259.00
CAT-40-.375-9	.375	11.680	9.00	CAT-40	.75	1.27	\$294.00
CAT-40-.437-4	.437	6.680	4.00	CAT-40	.81	.98	\$213.00
CAT-40-.437-6	.437	8.680	6.00	CAT-40	.81	1.12	\$259.00
CAT-40-.437-9	.437	11.680	9.00	CAT-40	.81	1.33	\$294.00
CAT-40-.500-4	.500	6.680	4.00	CAT-40	.88	1.05	\$213.00
CAT-40-.500-6	.500	8.680	6.00	CAT-40	.88	1.19	\$259.00
CAT-40-.500-9	.500	11.680	9.00	CAT-40	.88	1.40	\$294.00

CAT-40-.562-4	.562	6.68	4.00	CAT-40	.94	1.11	\$213.00
CAT-40-.562-6	.562	8.68	6.00	CAT-40	.94	1.25	\$259.00
CAT-40-.562-9	.562	11.68	9.00	CAT-40	.94	1.46	\$294.00
CAT-40-.625-4	.625	6.680	4.00	CAT-40	1.06	1.23	\$213.00
CAT-40-.625-6	.625	8.680	6.00	CAT-40	1.06	1.37	\$259.00
CAT-40-.625-9	.625	11.680	9.00	CAT-40	1.06	1.58	\$294.00
CAT-40-.750-4	.750	6.680	4.00	CAT-40	1.19	1.36	\$213.00
CAT-40-.750-6	.750	8.680	6.00	CAT-40	1.19	1.50	\$259.00
CAT-40-.750-9	.750	11.680	9.00	CAT-40	1.19	1.71	\$294.00
CAT-40-.875-4	.875	6.680	4.00	CAT-40	1.31	1.48	\$213.00
CAT-40-.875-6	.875	8.680	6.00	CAT-40	1.31	1.62	\$259.00
CAT-40-.875-9	.875	11.680	9.00	CAT-40	1.31	1.75	\$294.00
CAT-40-1.000-4	1.000	6.680	4.00	CAT-40	1.62	1.75	\$213.00
CAT-40-1.000-6	1.000	8.680	6.00	CAT-40	1.62	1.75	\$259.00
CAT-40-1.000-9	1.000	11.680	9.00	CAT-40	1.62	1.75	\$294.00
CAT-40-1.250-4	1.250	6.680	4.00	CAT-40	1.75	2.04	\$213.00
CAT-40-1.250-6	1.250	8.680	6.00	CAT-40	1.75	2.18	\$259.00
CAT-40-1.250-9	1.250	11.680	9.00	CAT-40	1.75	2.39	\$294.00



Precision Components CAT-40 V-Flange Tooling is designed to give maximum rigidity at extended lengths. They are available in 4", 6" and 9" projections.

- Hardened
- Precision Ground
- American Made

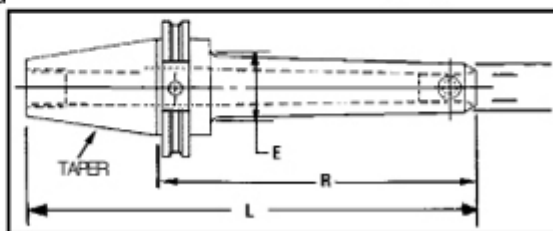


CAT-50 End Mill Extensions



Precision Components CAT-50 V-Flange Tooling is designed to give maximum rigidity at extended lengths of 6", 9", 12" and 15" projections.

- Hardened
- Precision Ground
- American Made



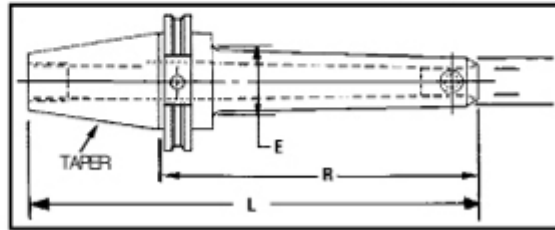
Catalog Number	D	L	R	Taper	B	E	List Price
CAT-50-.125-6	.125	10.00	6.00	CAT-50	.39	.71	\$390.00
CAT-50-.125-9	.125	13.00	9.00	CAT-50	.39	.92	\$450.00
CAT-50-.187-6	.187	10.00	6.00	CAT-50	.44	.76	\$390.00
CAT-50-.187-9	.187	13.00	9.00	CAT-50	.44	.99	\$450.00
CAT-50-.250-6	.250	10.00	6.00	CAT-50	.50	.82	\$390.00
CAT-50-.250-9	.250	13.00	9.00	CAT-50	.50	1.03	\$450.00
CAT-50-.250-12	.250	16.00	12.00	CAT-50	.50	1.24	\$462.00
CAT-50-.250-15	.250	19.00	15.00	CAT-50	.50	1.45	\$492.00
CAT-50-.312-6	.312	10.00	6.00	CAT-50	.56	.88	\$390.00
CAT-50-.312-9	.312	13.00	9.00	CAT-50	.56	1.09	\$450.00
CAT-50-.312-12	.312	16.00	12.00	CAT-50	.56	1.30	\$462.00
CAT-50-.312-15	.312	19.00	15.00	CAT-50	.56	1.51	\$492.00
CAT-50-.375-6	.375	10.00	6.00	CAT-50	.75	1.06	\$390.00
CAT-50-.375-9	.375	13.00	9.00	CAT-50	.75	1.27	\$450.00
CAT-50-.375-12	.375	16.00	12.00	CAT-50	.75	1.48	\$462.00
CAT-50-.375-15	.375	19.00	15.00	CAT-50	.75	1.69	\$492.00
CAT-50-.437-6	.437	10.00	6.00	CAT-50	.81	1.13	\$390.00
CAT-50-.437-9	.437	13.00	9.00	CAT-50	.81	1.34	\$450.00
CAT-50-.437-12	.437	16.00	12.00	CAT-50	.81	1.55	\$462.00
CAT-50-.437-15	.437	19.00	15.00	CAT-50	.81	1.76	\$492.00
CAT-50-.500-6	.500	10.00	6.00	CAT-50	.88	1.19	\$390.00
CAT-50-.500-9	.500	13.00	9.00	CAT-50	.88	1.40	\$450.00
CAT-50-.500-12	.500	16.00	12.00	CAT-50	.88	1.61	\$462.00
CAT-50-.500-15	.500	19.00	15.00	CAT-50	.88	1.82	\$492.00

CAT-50-.625-6	.625	10.00	6.00	CAT-50	1.06	1.37	\$390.00
CAT-50-.625-9	.625	13.00	9.00	CAT-50	1.06	1.58	\$450.00
CAT-50-.625-12	.625	16.00	12.00	CAT-50	1.06	1.79	\$462.00
CAT-50-.625-15	.625	19.00	15.00	CAT-50	1.06	2.00	\$492.00
CAT-50-.750-6	.750	10.00	6.00	CAT-50	1.19	1.50	\$390.00
CAT-50-.750-9	.750	13.00	9.00	CAT-50	1.19	1.71	\$450.00
CAT-50-.750-12	.750	16.00	12.00	CAT-50	1.19	1.92	\$462.00
CAT-50-.750-15	.750	19.00	15.00	CAT-50	1.19	2.13	\$492.00
CAT-50-.875-6	.874	10.00	6.00	CAT-50	1.43	1.62	\$390.00
CAT-50-.875-9	.875	13.00	9.00	CAT-50	1.43	1.83	\$450.00
CAT-50-.875-12	.875	16.00	12.00	CAT-50	1.43	2.04	\$462.00
CAT-50-.875-15	.875	19.00	15.00	CAT-50	1.43	2.25	\$492.00
CAT-50-1.000-6	1.000	10.00	6.00	CAT-50	1.62	1.93	\$390.00
CAT-50-1.000-9	1.000	13.00	9.00	CAT-50	1.62	2.13	\$450.00
CAT-50-1.000-12	1.000	16.00	12.00	CAT-50	1.62	2.34	\$462.00
CAT-50-1.000-15	1.000	19.00	15.00	CAT-50	1.62	2.55	\$492.00
CAT-50-1.250-6	1.250	10.00	6.00	CAT-50	1.88	2.19	\$390.00
CAT-50-1.250-9	1.250	13.00	9.00	CAT-50	1.88	2.39	\$450.00
CAT-50-1.250-12	1.250	16.00	12.00	CAT-50	1.88	2.60	\$462.00
CAT-50-1.250-15	1.250	19.00	15.00	CAT-50	1.88	2.75	\$492.00
CAT-50-1.500-6	1.500	10.00	6.00	CAT-50	2.25	2.55	\$390.00
CAT-50-1.500-9	1.500	13.00	9.00	CAT-50	2.25	2.75	\$450.00
CAT-50-1.500-12	1.500	16.00	12.00	CAT-50	2.25	2.96	\$462.00
CAT-50-1.500-15	1.500	19.00	15.00	CAT-50	2.25	3.17	\$492.00
CAT-50-2.000-6	2.000	10.00	6.00	CAT-50	3.19	3.46	\$390.00
CAT-50-2.000-9	2.000	13.00	9.00	CAT-50	3.19	3.66	\$450.00
CAT-50-2.000-12	2.000	16.00	12.00	CAT-50	3.19	3.86	\$462.00
CAT-50-2.000-15	2.000	19.00	15.00	CAT-50	3.19	3.86	\$492.00
CAT-50-2.500-7	2.500	11.00	7.00	CAT-50	4.50	4.50	\$456.00



Precision Components CAT-50 V-Flange Tooling is designed to give maximum rigidity at extended lengths of 6", 9", 12" and 15" projections.

- Hardened
- Precision Ground
- American Made

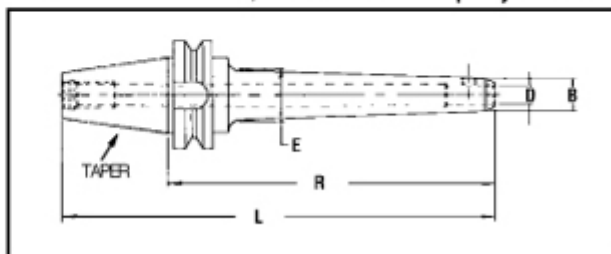


BT-50 End Mill Extensions



- Hardened
- Precision Ground
- American Made

Precision Components BT 50 Flange Tooling is designed to give maximum rigidity at extended lengths. They are available in 6", 9", 12" and 15" projections.



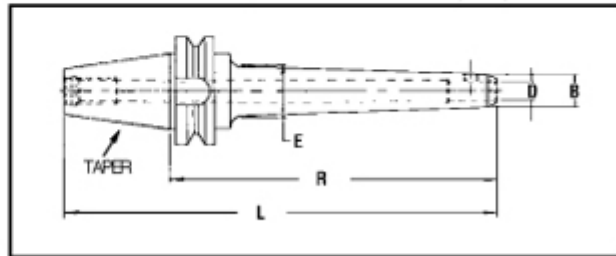
Catalog Number	D	L	R	Taper	B	E	List Price
BT-50-.250-6	.250	10.00	6.00	BT-50	.50	.78	\$390.00
BT-50-.250-9	.250	13.00	9.00	BT-50	.50	.99	\$450.00
BT-50-.250-12	.250	16.00	12.00	BT-50	.50	1.20	\$462.00
BT-50-.250-15	.250	19.00	15.00	BT-50	.50	1.41	\$492.00
BT-50-.375-6	.375	10.00	6.00	BT-50	.75	1.02	\$390.00
BT-50-.375-9	.375	13.00	9.00	BT-50	.75	1.23	\$450.00
BT-50-.375-12	.375	16.00	12.00	BT-50	.75	1.44	\$462.00
BT-50-.375-15	.375	19.00	15.00	BT-50	.75	1.65	\$492.00
BT-50-.437-6	.437	10.00	6.00	BT-50	.82	1.10	\$390.00
BT-50-.500-6	.500	10.00	6.00	BT-50	.88	1.15	\$390.00
BT-50-.500-9	.500	13.00	9.00	BT-50	.88	1.36	\$450.00
BT-50-.500-12	.500	16.00	12.00	BT-50	.88	1.57	\$462.00
BT-50-.500-15	.500	19.00	15.00	BT-50	.88	1.78	\$492.00
BT-50-.625-6	.625	10.00	6.00	BT-50	1.06	1.33	\$390.00
BT-50-.625-9	.625	13.00	9.00	BT-50	1.06	1.54	\$450.00
BT-50-.625-12	.625	16.00	12.00	BT-50	1.06	1.75	\$462.00
BT-50-.625-15	.625	19.00	15.00	BT-50	1.06	1.96	\$492.00
BT-50-.750-6	.750	10.00	6.00	BT-50	1.19	1.46	\$390.00
BT-50-.750-9	.750	13.00	9.00	BT-50	1.19	1.67	\$450.00
BT-50-.750-12	.750	16.00	12.00	BT-50	1.19	1.88	\$462.00
BT-50-.750-15	.750	19.00	15.00	BT-50	1.19	2.09	\$492.00
BT-50-.875-6	.875	10.00	6.00	BT-50	1.43	1.58	\$390.00
BT-50-.875-9	.875	13.00	9.00	BT-50	1.43	1.79	\$450.00

BT-50-.875-12	.875	16.00	12.00	BT-50	1.43	2.00	\$462.00
BT-50-.875-15	.875	19.00	15.00	BT-50	1.43	2.21	\$492.00
BT-50-1.000-6	1.00	10.00	6.00	BT-50	1.62	1.89	\$390.00
BT-50-1.000-9	1.00	13.00	9.00	BT-50	1.62	2.09	\$450.00
BT-50-1.000-12	1.00	16.00	12.00	BT-50	1.62	2.30	\$462.00
BT-50-1.000-15	1.00	19.00	15.00	BT-50	1.62	2.51	\$492.00
BT-50-1.250-6	1.250	10.00	6.00	BT-50	1.88	2.15	\$390.00
BT-50-1.250-9	1.250	13.00	9.00	BT-50	1.88	2.35	\$450.00
BT-50-1.250-12	1.250	16.00	12.00	BT-50	1.88	2.56	\$462.00
BT-50-1.250-15	1.250	19.00	15.00	BT-50	1.88	2.75	\$492.00
BT-50-1.500-6	1.500	10.00	6.00	BT-50	2.25	2.51	\$390.00
BT-50-1.500-9	1.500	13.00	9.00	BT-50	2.25	2.75	\$450.00
BT-50-1.500-12	1.500	16.00	12.00	BT-50	2.25	2.92	\$462.00
BT-50-1.500-15	1.500	19.00	15.00	BT-50	2.25	3.13	\$492.00
BT-50-2.000-6	2.000	10.00	6.00	BT-50	3.19	3.42	\$390.00
BT-50-2.000-9	2.000	13.00	9.00	BT-50	3.19	3.62	\$450.00
BT-50-2.000-12	2.000	16.00	12.00	BT-50	3.19	3.82	\$462.00
BT-50-2.000-15	2.000	19.00	15.00	BT-50	3.19	3.82	\$492.00



- Hardened
- Precision Ground
- American Made

Precision Components BT 50
 Flange Tooling is designed to give maximum rigidity at extended lengths. They are available in 6", 9", 12" and 15" projections.

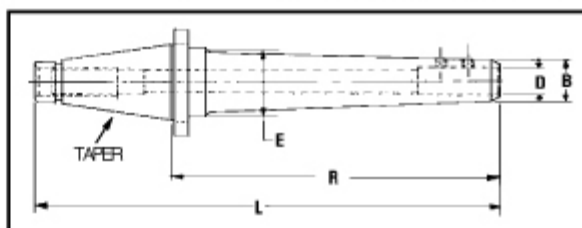


NMTB-50 End Mill Extensions



- Hardened
- Precision Ground
- American Made

Precision Components NMTB 50 Taper Holders are designed to give maximum rigidity at extended lengths of 4", 6", 9", 12" and 15". They can be used with standard draw bar or retention knobs.



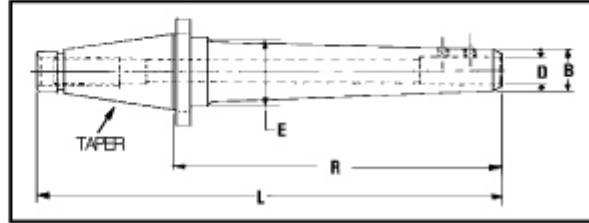
Catalog Number	D	L	R	Taper	B	E	List Price
NMTB-50-.250-4	.250	9.00	4.00	NMTB-50	.50	.69	\$342.00
NMTB-50-.250-6	.250	11.00	6.00	NMTB-50	.50	.83	\$390.00
NMTB-50-.250-9	.250	14.00	9.00	NMTB-50	.50	1.04	\$441.00
NMTB-50-.250-12	.250	17.00	12.00	NMTB-50	.50	1.25	\$453.00
NMTB-50-.250-15	.250	20.00	15.00	NMTB-50	.50	1.46	\$504.00
NMTB-50-.375-4	.375	9.00	4.00	NMTB-50	.75	.93	\$342.00
NMTB-50-.375-6	.375	11.00	6.00	NMTB-50	.75	1.07	\$390.00
NMTB-50-.375-9	.375	14.00	9.00	NMTB-50	.75	1.28	\$441.00
NMTB-50-.375-12	.375	17.00	12.00	NMTB-50	.75	1.49	\$453.00
NMTB-50-.375-15	.375	20.00	15.00	NMTB-50	.75	1.70	\$504.00
NMTB-50-.500-4	.500	9.00	4.00	NMTB-50	.88	1.06	\$342.00
NMTB-50-.500-6	.500	11.00	6.00	NMTB-50	.88	1.20	\$390.00
NMTB-50-.500-9	.500	14.00	9.00	NMTB-50	.88	1.41	\$441.00
NMTB-50-.500-12	.500	17.00	12.00	NMTB-50	.88	1.62	\$453.00
NMTB-50-.500-15	.500	20.00	15.00	NMTB-50	.88	1.83	\$504.00
NMTB-50-.625-4	.625	9.00	4.00	NMTB-50	1.06	1.24	\$342.00
NMTB-50-.625-6	.625	11.00	6.00	NMTB-50	1.06	1.38	\$390.00
NMTB-50-.625-9	.625	14.00	9.00	NMTB-50	1.06	1.59	\$441.00
NMTB-50-.625-12	.625	17.00	12.00	NMTB-50	1.06	1.80	\$453.00
NMTB-50-.625-15	.625	20.00	15.00	NMTB-50	1.06	2.01	\$504.00
NMTB-50-.750-4	.750	9.00	4.00	NMTB-50	1.19	1.37	\$342.00
NMTB-50-.750-6	.750	11.00	6.00	NMTB-50	1.19	1.51	\$390.00

NMTB-50-.750-9	.750	14.00	9.00	NMTB-50	1.19	1.72	\$441.00
NMTB-50-.750-12	.750	17.00	12.00	NMTB-50	1.19	1.93	\$453.00
NMTB-50-.750-15	.750	20.00	15.00	NMTB-50	1.19	2.14	\$504.00
NMTB-50-.875-4	.875	9.00	4.00	NMTB-50	1.43	1.49	\$342.00
NMTB-50-.875-6	.875	11.00	6.00	NMTB-50	1.43	1.63	\$390.00
NMTB-50-.875-9	.875	14.00	9.00	NMTB-50	1.43	1.84	\$441.00
NMTB-50-.875-12	.875	17.00	12.00	NMTB-50	1.43	2.05	\$453.00
NMTB-50-.875-15	.875	20.00	15.00	NMTB-50	1.43	2.26	\$504.00
NMTB-50-1.000-4	1.00	9.00	4.00	NMTB-50	1.62	1.80	\$342.00
NMTB-50-1.000-6	1.00	11.00	6.00	NMTB-50	1.62	1.94	\$390.00
NMTB-50-1.000-9	1.00	14.00	9.00	NMTB-50	1.62	2.15	\$441.00
NMTB-50-1.000-12	1.00	17.00	12.00	NMTB-50	1.62	2.36	\$453.00
NMTB-50-1.000-15	1.00	20.00	15.00	NMTB-50	1.62	2.57	\$504.00
NMTB-50-1.250-4	1.250	9.00	4.00	NMTB-50	1.88	2.06	\$342.00
NMTB-50-1.250-6	1.250	11.00	6.00	NMTB-50	1.88	2.20	\$390.00
*NMTB-50-1.250-9	1.250	14.00	9.00	NMTB-50	1.88	2.40	\$441.00
NMTB-50-1.250-12	1.250	17.00	12.00	NMTB-50	1.88	2.61	\$453.00
NMTB-50-1.250-15	1.250	20.00	15.00	NMTB-50	1.88	2.75	\$504.00
NMTB-50-1.500-4	1.500	9.00	4.00	NMTB-50	2.25	2.41	\$342.00
NMTB-50-1.500-6	1.500	11.00	6.00	NMTB-50	2.25	2.56	\$390.00
NMTB-50-1.500-9	1.500	14.00	9.00	NMTB-50	2.25	2.76	\$441.00
NMTB-50-1.500-12	1.500	17.00	12.00	NMTB-50	2.25	2.97	\$453.00
NMTB-50-1.500-15	1.500	20.00	15.00	NMTB-50	2.25	3.18	\$504.00
NMTB-50-2.000-4	2.000	9.00	4.00	NMTB-50	3.19	3.33	\$342.00
NMTB-50-2.000-6	2.000	11.00	6.00	NMTB-50	3.19	3.47	\$390.00
NMTB-50-2.000-9	2.000	14.00	9.00	NMTB-50	3.19	3.68	\$441.00
NMTB-50-2.000-12	2.000	17.00	12.00	NMTB-50	3.19	3.75	\$453.00
NMTB-50-2.000-15	2.000	20.00	15.00	NMTB-50	3.19	3.75	\$504.00



- Hardened
- Precision Ground
- American Made

Precision Components NMTB 50
Taper Holders are designed to
give maximum rigidity at extended
lengths of 4", 6", 9", 12" and 15".
They can be used with standard
draw bar or retention knobs.

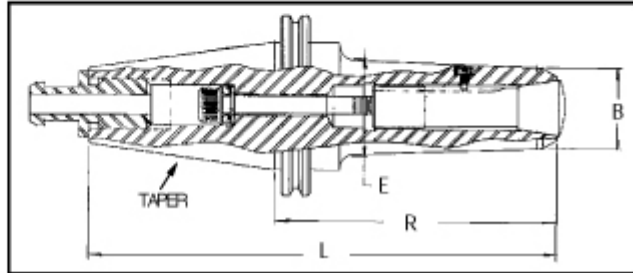


R-8 Adapters



Precision Components' New R-8 adapters come in either CAT-50, NMTB-50, or BT-50 and are available in 6,9,12 and 15 inch projections. These holders have drawbar positive locking, taper to taper fit, hole through retention stud to access drawbar, a large variety of available tooling, and a proven collet system without a large nut to cause interference.

- Hardened
- Precision Ground
- American Made



Catalog Number	L	R	Taper	B	E	List Price
CAT-50-R8-6	10.00	6.00	CAT-50	1.75	2.06	\$450.00
CAT-50-R8-9	13.00	9.00	CAT-50	1.75	2.27	\$522.00
CAT-50-R8-12	16.00	12.00	CAT-50	1.75	2.48	\$534.00
CAT-50-R8-15	19.00	15.00	CAT-50	1.75	2.69	\$570.00
BT-50-R8-6	10.00	6.00	BT-50	1.75	2.04	\$450.00
BT-50-R8-9	13.00	9.00	BT-50	1.75	2.25	\$522.00
BT-50-R8-12	16.00	12.00	BT-50	1.75	2.46	\$534.00
BT-50-R8-15	19.00	15.00	BT-50	1.75	2.67	\$570.00
NMTB-50-R8-6	11.00	6.00	NMTB-50	1.75	2.09	\$450.00
NMTB-50-R8-9	14.00	9.00	NMTB-50	1.75	2.30	\$522.00
NMTB-50-R8-12	17.00	12.00	NMTB-50	1.75	2.51	\$534.00
NMTB-50-R8-15	20.00	15.00	NMTB-50	1.75	2.72	\$570.00

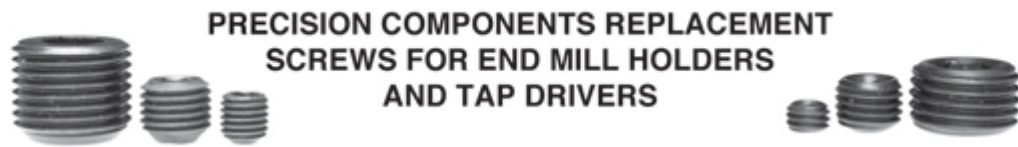
Replacement Key & Screw For Face Mill / Shell Mill Extensions



Precision Components
replacement key with screw for
face mill / shell mill holders.

Catalog Number	Pilot Size	List Price
1/4 Key & Screw	.500 FMX	\$19.50
5/16 Key & Screw	.750 FMX	\$19.50
3/8 Key & Screw	1.000 FMX	\$19.50
1/2 Key & Screw	1.250 FMX	\$32.50
5/8 Key & Screw	1.500 FMX	\$32.50
3/4 Key & Screw	2.000	\$32.50
1 Key & Screw	2.500 FMX	\$32.50

Replacement Screws For End Mill Holders



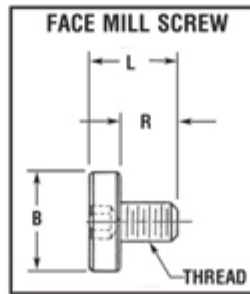
Catalog Number	End Mill Holder I.D. Size	List Price
#2-56	.062	\$0.72
#6-32	.125, 3MM	\$0.72
#8-32	.156, 4MM	\$0.72
#10-32	.187, .218, .250, 5, 6, 7MM	\$0.58
1/4 - 24	.312, 8MM	\$0.58
5/16 - 24	.375, 9, 10MM	\$0.67
3/8 - 24	.437, 11MM	\$0.76
7/16 - 20	.500, 12, 13MM	\$1.42
1/2 - 20	.562, .625, .750	\$1.53
1/2 - 20	14, 15, 16, 17, 18, 19, 20, 21MM	\$1.53
5/8 - 18	.875, 1.000, 1.250	\$2.40
5/8 - 18	22, 23, 24, 25, 28, 32MM	\$2.40
3/4 - 16	1.500	\$3.14
1-14	2.000, 2.500	\$8.13

Replacement Screws For Tap Drivers



Catalog Number	Tap Driver Holder I.D. Size	List Price
#6-32	#0-6TD, M2-M2.5, M3-M3.5TD	\$0.72
#8-32	#8TD, M4TD	\$0.72
#10-32	#10, 1/4TD, M4.6-M6, M10TD	\$0.58
1/4 - 28	5/16 TD, 1/16-1/8PTD, M8TD	\$0.58
5/16 - 24	3/8, 7/16, 1/2, 9/16TD, 1/16-1/8PTD	\$0.67
5/16 - 24	M10, M12TD	\$0.67
3/8 - 24	5/8TD, 1/4PTD, M14, M16, M18TD	\$0.76
7/16 - 20	3/8PTD	\$1.42
1/2 - 20	3/4, 13/16, 7/8 TD, 1/2, 3/4, 1 PTD	\$1.53
1/2 - 20	M20, M22, M24TD	\$1.53
5/8 - 18	1.000, 1.062-1.125, 1.187-1.250TD	\$2.40
5/8 - 18	1.250PTD, M27, M30, M33TD	\$2.40
3/4 - 16	1.312-1.375, 1.437-1.500TD	\$3.14
3/4 - 16	M36, M42, M45, M48, M52TD	\$3.14

Replacement Face Mill / Shell Mill Screws



Precision Components
replacement screws for
face mill / shell mill
holders.

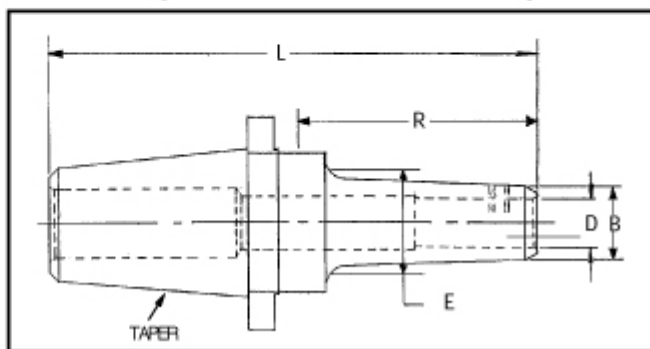
Catalog Number	B	Thread	L	R	List Price
FMS 3/8 - 24	.87	3/8 - 24	1.06	.69	\$12.35
FMS 1/2-20	1.18	1/2 - 20	1.07	.69	\$12.35
FMS 5/8 - 18	1.49	5/8 - 18	1.37	.87	\$14.65
FMS 3/4 - 16	1.87	3/4 - 16	1.43	.93	\$16.25
FMS 1 - 14	2.50	1-14	2.00	1.50	\$17.85

QSX Snap Switch Extensions



- Hardened
- Precision Ground
- American Made

Precision Components "Snap Switch"
 Extended Tooling fits a variety of
 spindles with a size 400 series taper,
 which are interchangeable with
 Universal Kwik-Switch Tooling.*
 Precision Components offers 3
 lengths and 12 I.D.'s starting at .125.



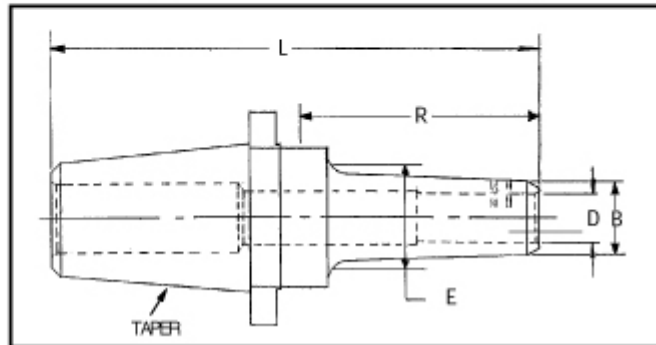
Catalog Number	D	L	R	Taper	B	E	List Price
QSX-.125-4	.125	7.88	4.00	#400	.38	.62	\$282.00
QSX-.125-6	.125	9.88	6.00	#400	.38	.76	\$318.00
QSX-.125-9	.125	12.88	9.00	#400	.38	.97	\$342.00
QSX-.187-4	.187	7.88	4.00	#400	.44	.68	\$282.00
QSX-.187-6	.187	9.88	6.00	#400	.44	.82	\$318.00
QSX-.187-9	.187	12.88	9.00	#400	.44	1.03	\$342.00
QSX-.250-4	.250	7.88	4.00	#400	.50	.74	\$282.00
QSX-.250-6	.250	9.88	6.00	#400	.50	.88	\$318.00
QSX-.250-9	.250	12.88	9.00	#400	.50	1.09	\$342.00
QSX-.375-4	.375	7.88	4.00	#400	.75	.98	\$282.00
QSX-.375-6	.375	9.88	6.00	#400	.75	1.12	\$318.00
QSX-.375-9	.375	12.88	9.00	#400	.75	1.33	\$342.00
QSX-.500-4	.500	7.88	4.00	#400	.88	1.11	\$282.00
QSX-.500-6	.500	9.88	6.00	#400	.88	1.25	\$318.00
QSX-.500-9	.500	12.88	9.00	#400	.88	1.46	\$342.00
QSX-.625-4	.625	7.88	4.00	#400	1.06	1.29	\$282.00
QSX-.625-6	.625	9.88	6.00	#400	1.06	1.43	\$318.00
QSX-.625-9	.635	12.88	9.00	#400	1.06	1.64	\$342.00
QSX-.750-4	.750	7.88	4.00	#400	1.19	1.42	\$282.00
QSX-.750-6	.750	9.88	6.00	#400	1.19	1.56	\$318.00
QSX-.750-9	.750	12.88	9.00	#400	1.19	1.77	\$342.00

QSX-.875-4	.875	7.88	4.00	#400	1.31	1.54	\$282.00
QSX-.875-6	.875	9.88	6.00	#400	1.31	1.68	\$318.00
QSX-.875-9	.875	12.88	9.00	#400	1.31	1.68	\$342.00
QSX-1.000-4	1.00	7.88	4.00	#400	1.62	1.85	\$282.00
QSX-1.000-6	1.00	9.88	6.00	#400	1.62	1.99	\$318.00
QSX-1.000-9	1.00	12.88	9.00	#400	1.62	2.13	\$342.00
QSX-1.250-4	1.250	7.88	4.00	#400	1.88	2.11	\$282.00
QSX-1.250-6	1.250	9.88	6.00	#400	1.88	2.25	\$318.00
QSX-1.250-9	1.250	12.88	9.00	#400	1.88	2.46	\$342.00
QSX-1.500-4	1.500	7.88	4.00	#400	2.125	2.47	\$282.00
QSX-1.500-6	1.500	9.88	6.00	#400	2.125	2.61	\$318.00
QSX-1.500-9	1.500	12.88	9.00	#400	2.125	2.82	\$342.00
QSX-2.000-4	2.000	7.88	4.00	#400	3.25	3.25	\$282.00
QSX-2.000-6	2.000	9.88	6.00	#400	3.25	3.25	\$318.00
QSX-2.000-9	2.00	12.88	9.00	#400	3.25	3.25	\$342.00



- Hardened
- Precision Ground
- American Made

Precision Components "Snap Switch"
 Extended Tooling fits a variety of
 spindles with a size 400 series taper,
 which are interchangeable with
 Universal Kwik-Switch Tooling.*
 Precision Components offers 3
 lengths and 12 I.D.'s starting at .125.



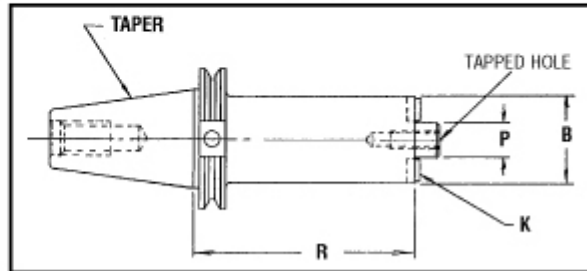
Face Mill Extensions



INCLUDES KEYS

- Hardened
- Precision Ground
- American Made

Precision Components Face Mill Extensions allow milling of hard to reach areas while maintaining rigidity at extended lengths - 4" thru 12" projections available.



(CAT-40 Diagram Shown)

Catalog Number	P	K	Tapped Hole	R	Taper	B	List Price
CAT-40-.500FMX-5	.500	.250	1/4-28	5.00	CAT-40	1.25	280.00
CAT-40-.500FMX-8	.500	.250	1/4-28	8.00	CAT-40	1.25	\$311.00
CAT-40.750FMX-4S	.750	.312	3/8-24	4.00	CAT-40	1.40	\$253.00
CAT-40-.750FMX-6S	.750	.312	3/8-24	6.00	CAT-40	1.40	\$299.00
CAT-40-.750FMX-9S	.750	.312	3/8-24	9.00	CAT-40	1.40	\$334.00
CAT-40-.750FMX-4W	.750	.312	3/8-24	4.00	CAT-40	1.90	\$253.00
CAT-40-.750FMX-6W	.750	.312	3/8-24	6.00	CAT-40	1.90	\$299.00
CAT-40-.750FMX-9W	.750	.312	3/8-24	9.00	CAT-40	1.90	\$334.00
CAT-40-1.000FMX-4	1.000	.375	1/2-20	4.00	CAT-40	2.40	\$259.00
CAT-40-1.000FMX-6	1.000	.375	1/2-20	6.00	CAT-40	2.40	\$305.00
CAT-40-1.000FMX-9	1.000	.375	1/2-20	9.00	CAT-40	2.40	\$340.00
CAT-40-1.250FMX-4	1.250	.500	5/8-18	4.00	CAT-40	2.90	\$265.00
CAT-40-1.250FMX-6	1.250	.500	5/8-18	6.00	CAT-40	2.90	\$311.00
CAT-40-1.250FMX-9	1.250	.500	5/8-18	9.00	CAT-40	2.90	\$345.00
CAT-40-1.500FMX-4	1.500	.625	3/4-16	4.00	CAT-40	3.88	\$276.00
CAT-40-2.00FMX-3.25	2.000	.750	1-14	3.25	CAT-40	4.00	\$294.00
<hr/>							
BT-40-.750FMX-4S	.750	.312	3/8-24	4.00	BT-40	1.40	\$253.00
BT-40-.750FMX-6S	.750	.312	3/8-24	6.00	BT-40	1.40	\$299.00
BT-40-.750FMX-9S	.750	.312	3/8-24	9.00	BT-40	1.40	\$334.00
BT-40-.750FMX-4W	.750	.312	3/8-24	4.00	BT-40	1.90	\$253.00
BT-40-.750FMX-6W	.750	.312	3/8-24	6.00	BT-40	1.90	\$299.00
BT-40-.750FMX-9W	.750	.312	3/8-24	9.00	BT-40	1.90	\$334.00

BT-40-1.000FMX-4	1.000	.375	1/2-20	4.00	BT-40	2.40	\$259.00
BT-40-1.000FMX-6	1.000	.375	1/2-20	6.00	BT-40	2.40	\$305.00
BT-40-1.000FMX-9	1.000	.375	1/2-20	9.00	BT-40	2.40	\$340.00
BT-40-1.250FMX-4	1.250	.500	5/8-18	4.00	BT-40	2.90	\$265.00
BT-40-1.250FMX-6	1.250	.500	5/8-18	6.00	BT-40	2.90	\$311.00
BT-40-1.250FMX-9	1.250	.500	5/8-18	9.00	BT-40	2.90	\$345.00
BT-40-1.500FMX-4	1.500	.625	3/4-16	4.00	BT-40	3.88	\$276.00
BT-40-2.000FMX-3.50	2.000	.750	1-14	3.50	BT-40	4.00	\$294.00
CAT-50-.500FMX-6	.500	.250	1/4-28	6.00	CAT-50	1.25	438.00
CAT-50-.750FMX-4	.750	.312	3/8-24	4.00	CAT-50	1.90	\$426.00
CAT-50-.750FMX-6	.750	.312	3/8-24	6.00	CAT-50	1.90	\$438.00
CAT-50-.750FMX-9	.750	.312	3/8-24	9.00	CAT-50	1.90	\$462.00
CAT-50-.750FMX-12	.750	.312	3/8-24	12.00	CAT-50	1.90	474.00
CAT-50-1.000FMX-5	1.000	.375	1/2-20	5.00	CAT-50	2.40	\$432.00
CAT-50-1.000FMX-7	1.000	.375	1/2-20	7.00	CAT-50	2.40	\$444.00
CAT-50-1.000FMX-10	1.000	.375	1/2-20	10.00	CAT-50	2.40	\$468.00
CAT-50-1.000FMX-12	1.000	.375	1/2-20	7.00	CAT-50	2.40	474.00
CAT-50-1.250FMX-6	1.250	.500	5/8-18	6.00	CAT-50	2.90	\$438.00
CAT-50-1.250FMX-9	1.250	.500	5/8-18	9.00	CAT-50	2.90	\$462.00
CAT-50-1.250FMX-12	1.250	.500	5/8-18	12.00	CAT-50	2.90	\$474.00
CAT-50-1.500FMX-5	1.500	.625	3/4-16	5.00	CAT-50	3.88	\$438.00
CAT-50-1.500FMX-8	1.500	.625	3/4-16	8.00	CAT-50	3.88	\$450.00
CAT-50-1.500FMX-12	1.500	.625	3/4-16	12.00	CAT-50	3.88	\$474.00
CAT-50-2.000FMX-6	2.000	.750	1-14	6.00	CAT-50	4.38	\$558.00
CAT-50-2.000FMX-12	2.000	.750	1-14	12.00	CAT-50	4.38	\$594.00
CAT-50-2.500FMX-4	2.500	1.000	5/8-18 4	4.00	CAT-50	4.90	\$582.00
CAT-50-2.500FMX-8	2.500	1.000	5/8-18 4	8.00	CAT-50	4.90	\$606.00
BT-50-.750FMX-4	.750	.312	3/8-24	4.00	BT-50	1.90	\$426.00
BT-50-.750FMX-6	.750	.312	3/8-24	6.00	BT-50	1.90	\$438.00
BT-50-.750FMX-9	.750	.312	3/8-24	9.00	BT-50	1.90	\$462.00
BT-50-1.000FMX-5	1.000	.375	1/2-20	5.00	BT-50	2.40	\$432.00
BT-50-1.000FMX-7	1.000	.375	1/2-20	7.00	BT-50	2.40	\$444.00
BT-50-1.000FMX-10	1.000	.375	1/2-20	10.00	BT-50	2.40	\$468.00
BT-50-1.250FMX-6	1.250	.500	5/8-18	6.00	BT-50	2.90	\$438.00
BT-50-1.250FMX-9	1.250	.500	5/8-18	9.00	BT-50	2.90	\$462.00
BT-50-1.250FMX-12	1.250	.500	5/8-18	12.00	BT-50	2.90	\$474.00

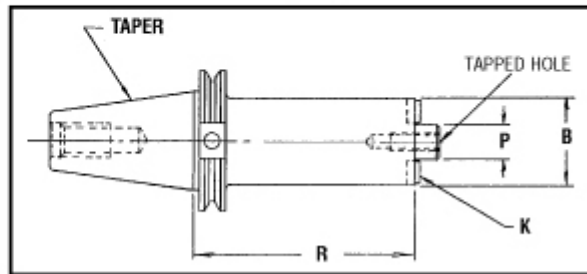
BT-50-1.500FMX-5	1.500	.625	3/4-16	5.00	BT-50	3.88	\$441.00
BT-50-1.500FMX-8	1.500	.625	3/4-16	8.00	BT-50	3.88	\$450.00
BT-50-1.500FMX-12	1.500	.625	3/4-16	12.00	BT-50	3.88	\$474.00
BT-50-2.000FMX-6	2.000	.750	1-14	6.00	BT-50	4.38	\$558.00
BT-50-2.000FMX-12	2.000	.750	1-14	12.00	BT-50	4.38	\$594.00
BT-50-2.500FMX-4	2.500	1.000	5/8-18 4	4.00	BT-50	4.90	\$582.00
BT-50-2.500FMX-8	2.500	1.000	5/8-18 4	8.00	BT-50	4.90	\$606.00
NMTB-50-.750-FMX-4	.750	.312	3/8-24	4.00	NMTB-50	1.90	\$426.00
NMTB-50-.750FMX-6	.750	.312	3/8-24	6.00	NMTB-50	1.90	\$438.00
NMTB-50-.750FMX-9	.750	.312	3/8-24	9.00	NMTB-50	1.90	\$462.00
NMTB-50-1.000FMX-5	1.000	.375	1/2-20	5.00	NMTB-50	2.40	\$432.00
NMTB-50-1.000FMX-7	1.000	.375	1/2-20	7.00	NMTB-50	2.40	\$444.00
NMTB-50-1.000FMX-10	1.000	.375	1/2-20	10.00	NMTB-50	2.40	\$468.00
NMTB-50-1.250FMX-6	1.250	.500	5/8-18	6.00	NMTB-50	2.90	\$438.00
NMTB-50-1.250FMX-9	1.250	.500	5/8-18	9.00	NMTB-50	2.90	\$462.00
NMTB-50-1.250FMX-12	1.250	.500	5/8-18	12.00	NMTB-50	2.90	\$474.00
NMTB-50-1.500FMX-6	1.500	.625	3/4-16	6.00	NMTB-50	3.88	\$444.00
NMTB-50-1.500FMX-8	1.500	.625	3/4-16	8.00	NMTB-50	3.88	\$450.00
NMTB-50-1.500FMX-12	1.500	.625	3/4-16	12.00	NMTB-50	3.88	\$474.00
NMTB-50-2.000FMX-6	2.000	.750	1-14	6.00	NMTB-50	4.38	\$558.00
NMTB-50-2.000FMX-12	2.000	.750	1-14	12.00	NMTB-50	4.38	\$594.00
NMTB-50-2.500FMX-4	2.500	1.000	5/8-18 4	4.00	NMTB-50	4.90	\$582.00
NMTB-50-2.500FMX-8	2.500	1.000	5/8-18 4	8.00	NMTB-50	4.90	\$606.00
QSX-1.250FMX-4	1.250	.500	5/8-18	4.00	UNIV-400	2.40	\$294.00
QSX-1.250FMX-6	1.250	.500	5/8-18	6.00	UNIV-400	2.40	\$330.00
QSX-1.250FMX-9	1.250	.500	5/8-18	9.00	UNIV-400	2.40	\$354.00
QSX-1.500FMX-4	1.500	.625	3/4-16	4.00	UNIV-400	3.88	\$294.00
QSX-1.500FMX-6	1.500	.625	3/4-16	6.00	UNIV-400	3.88	\$330.00
QSX-1.500FMX-8	1.500	.625	3/4-16	8.00	UNIV-400	3.88	\$342.00



INCLUDES KEYS

- Hardened
- Precision Ground
- American Made

Precision Components Face Mill Extensions allow milling of hard to reach areas while maintaining rigidity at extended lengths - 4" thru 12" projections available.



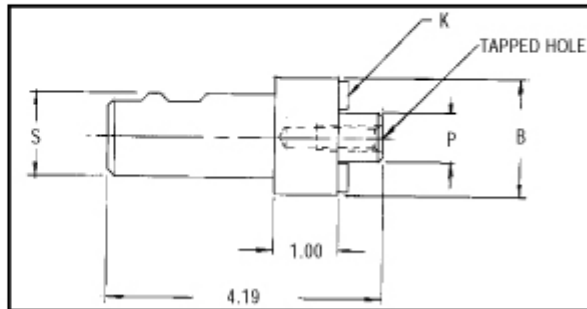
(CAT-40 Diagram Shown)

LRX-FMX Adapters



- Hardened
- Precision Ground
- American Made

Precision Components LRX-FMX Adapter comes with 1-1/4" shank, making it easy to adapt shell mills to a variety of Precision Components extensions.



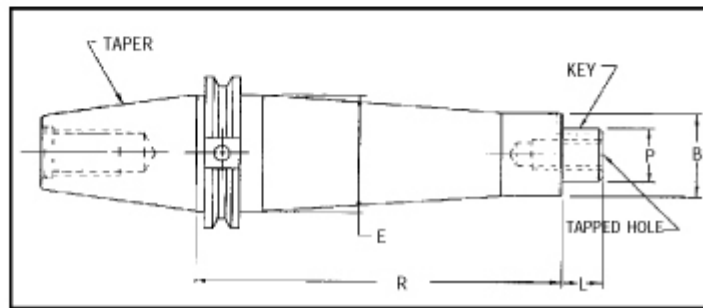
Catalog Number	P	K	Tapped Hole	S	B	List Price
LRX-FMX-.750	.750	.312	3/8-24	1.250	1.750	\$144.00
LRX-FMX-1.000	1.000	.375	1/2-20	1.250	2.400	\$144.00
LRX-FMX-1.250	1.250	.500	5/8-18	1.250	2.900	\$167.00
LRX-FMX-1.500	1.500	.625	3/4-16	1.250	3.900	\$190.00

Stub Arbor

Precision Components Stub Arbors come in four pilot sizes and a multitude of lengths. They give you maximum rigidity in extended lengths. By being made in a one piece construction they virtually eliminate run-out and increase rigidity.



- Hardened
- Precision Ground
- American Made

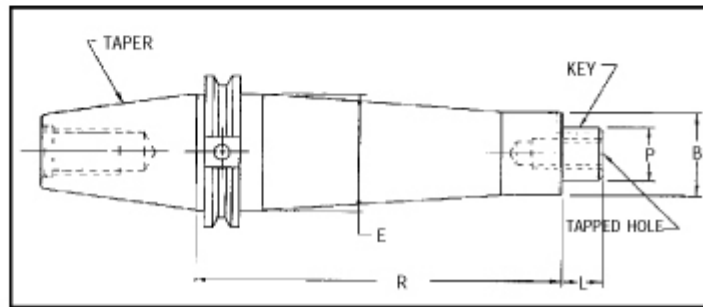


Catalog Number	Taper	R	P	Key	L	B	E	Tapped Hole	List Price
CAT-40-.750-SA-6	CAT-40	6.00	.750	.187	.375	1.25	1.75	3/8-24	\$271.00
CAT-40-.750-SA-8	CAT-40	8.00	.750	.187	.375	1.25	1.75	3/8-24	\$305.00
CAT-40-1.000-SA-6	CAT-40	6.000	1.000	.250	.485	1.50	1.75	1/2-20	\$271.00
CAT-40-1.000-SA-8	CAT-40	8.00	1.000	.250	.485	1.50	1.75	1/2-20	\$305.00
CAT-40-1.250-SA-6	CAT-40	6.00	1.250	.312	.715	1.75	1.75	5/8-18	\$271.00
CAT-40-1.250-SA-8	CAT-40	8.00	1.250	.312	.715	1.75	1.75	5/8-18	\$305.00
CAT-40-1.500-SA-6	CAT-40	6.00	1.500	.375	.975	2.12	2.12	3/4-16	\$271.00
CAT-40-1.500-SA-8	CAT-40	8.00	1.500	.375	.975	2.12	2.12	3/4-16	\$305.00
BT-40-.750-SA-6	BT-40	6.00	.750	.187	.375	1.25	1.75	3/8-24	\$271.00
BT-40-.750-SA-8	BT-40	8.00	.750	.187	.375	1.25	1.75	3/8-24	\$305.00
BT-40-1.000-SA-6	BT-40	6.00	1.000	.250	.485	1.50	1.75	1/2-20	\$271.00
BT-40-1.000-SA-8	BT-40	8.00	1.000	.250	.485	1.50	1.75	1/2-20	\$305.00
BT-40-1.250-SA-6	BT-40	6.00	1.250	.312	.715	1.75	1.75	5/8-18	\$271.00
BT-40-1.250-SA-8	BT-40	8.00	1.250	.312	.715	1.75	1.75	5/8-18	\$305.00
BT-40-1.500-SA-6	BT-40	6.00	1.500	.375	.975	2.12	2.12	3/4-16	\$271.00

BT-40-1.500-SA-8	BT-40	8.00	1.500	.375	.975	2.12	2.12	3/4-16	\$305.00
CAT-50-1.000-SA-9	CAT-50	9.00	1.000	.250	.485	1.50	2.75	1/2-20	\$450.00
CAT-50-1.000-SA-12	CAT-50	12.00	1.000	.250	.485	1.50	2.75	1/2-20	\$462.00
CAT-50-1.000-SA-15	CAT-50	15.00	1.000	.250	.485	1.50	2.75	1/2-20	\$492.00
CAT-50-1.250-SA-9	CAT-50	9.00	1.250	.312	.715	1.75	2.75	5/8-18	\$450.00
CAT-50-1.250-SA-12	CAT-50	12.00	1.250	.312	.715	1.75	2.75	5/8-18	\$462.00
CAT-50-1.250-SA-15	CAT-50	15.00	1.250	.312	.715	1.75	2.75	5/8-18	\$492.00
CAT-50-1.500-SA-9	CAT-50	9.00	1.500	.375	.975	2.12	2.75	3/4-16	\$450.00
CAT-50-1.500-SA-12	CAT-50	12.00	1.500	.375	.975	2.12	2.75	3/4-16	\$462.00
CAT-50-1.500-SA-15	CAT-50	15.00	1.500	.375	.975	2.12	2.75	3/4-16	\$492.00
BT-50-1.000-SA-9	BT-50	9.00	1.000	.250	.485	1.50	2.75	1/2-20	\$450.00
BT-50-1.000-SA-12	BT-50	12.00	1.000	.250	.485	1.50	2.75	1/2-20	\$462.00
BT-50-1.000-SA-15	BT-50	15.00	1.000	.250	.485	1.50	2.75	1/2-20	\$492.00
BT-50-1.250-SA-9	BT-50	9.00	1.250	.312	.715	1.75	2.75	5/8-18	\$450.00
BT-50-1.250-SA-12	BT-50	12.00	1.250	.312	.715	1.75	2.75	5/8-18	\$462.00
BT-50-1.250-SA-15	BT-50	15.00	1.250	.312	.715	1.75	2.75	5/8-18	\$492.00
BT-50-1.500-SA-9	BT-50	9.00	1.500	.375	.975	2.12	2.75	3/4-16	\$450.00
BT-50-1.500-SA-12	BT-50	12.00	1.500	.375	.975	2.12	2.75	3/4-16	\$462.00
BT-50-1.500-SA-15	BT-50	15.00	1.500	.375	.975	2.12	2.75	3/4-16	\$492.00
NMTB-50-1.000-SA-9	NMTB-50	9.00	1.000	.250	.485	1.50	2.75	1/2-20	\$450.00
NMTB-50-1.000-SA-12	NMTB-50	12.00	1.000	.250	.485	1.50	2.75	1/2-20	\$462.00
NMTB-50-1.000-SA-15	NMTB-50	15.00	1.000	.250	.485	1.50	2.75	1/2-20	\$492.00
NMTB-50-1.250-SA-9	NMTB-50-	9.00	1.250	.312	.715	1.75	2.75	5/8-18	\$450.00
NMTB-50-1.250-SA-12	NMTB-50	12.00	1.250	.312	.715	1.75	2.75	5/8-18	\$462.00
NMTB-50-1.250-SA-15	NMTB-50	15.00	1.250	.312	.715	1.75	2.75	5/8-18	\$492.00
NMTB-50-1.500-SA-9	NMTB-50	9.00	1.500	.375	.975	2.12	2.75	3/4-16	\$450.00
NMTB-50-1.500-SA-12	NMTB-50	12.00	1.500	.375	.975	2.12	2.75	3/4-16	\$462.00
NMTB-50-1.500-SA-15	NMTB-50	15.00	1.500	.375	.975	2.12	2.75	3/4-16	\$492.00

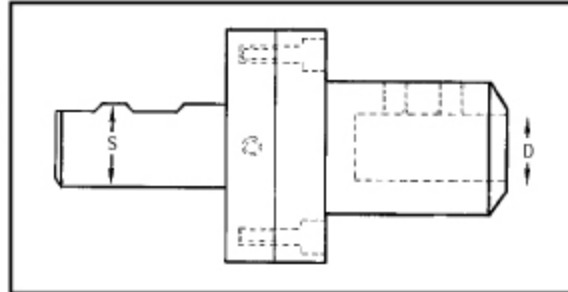
Precision Components Stub Arbors come in four pilot sizes and a multitude of lengths. They give you maximum rigidity in extended lengths. By being made in a one piece construction they virtually eliminate run-out and increase rigidity.

- Hardened
- Precision Ground
- American Made



Compensators

The Compensator was originally developed for the mold industry, but now it has a dual purpose. Not only can the Compensator put your tools on dead zero run out, it also off sets your indexable drills in your CNC mill to achieve sizes not offered.



Example: your 1" indexable drill can be off set with the Compensator to 1.010, 1.015, 1.020 etc. Thus eliminating secondary boring or reaming operations.

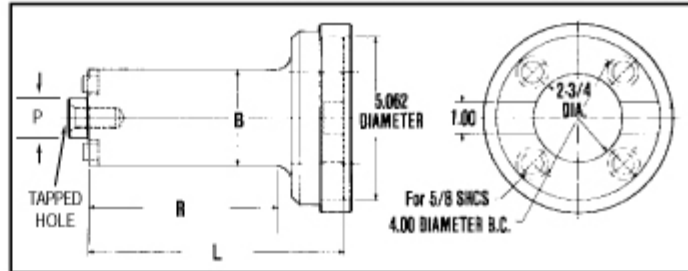
Catalog Number	S	D	List Price
CMP-.750-.750	.750 O.D.	.750	\$363.00
CMP-1.000-.750	1.000 O.D.	.750	\$363.00
CMP-1.000-1.000	1.000 O.D.	1.000	\$363.00
CMP-1.250-1.000	1.250 O.D.	1.000	\$403.00
CMP-1.250-1.250	1.250 O.D.	1.250	\$403.00
CMP-2.000-1.250	2.000 O.D.	1.250	\$535.00
CMP-2.000-2.000	2.000 O.D.	2.000	\$535.00
CMP-R8-1.000	R-8	1.000	\$420.00
CMP-R8-1.250	R-8	1.250	\$420.00
CMP-40-1.000	CAT-40	1.000	\$489.00
CMP-40-1.250	CAT-40	1.250	\$489.00
CMP-50-1.250	CAT-50	1.250	\$558.00
CMP-50-2.000	CAT-50	2.000	\$558.00

Flange Mount Face Mill Extensions



- Hardened
- Precision Ground
- American Made

Precision Components Face Mill Extensions provide the rigidity required to mill deep cavities and pockets. Flange Mount Extensions are available in fifteen sizes.



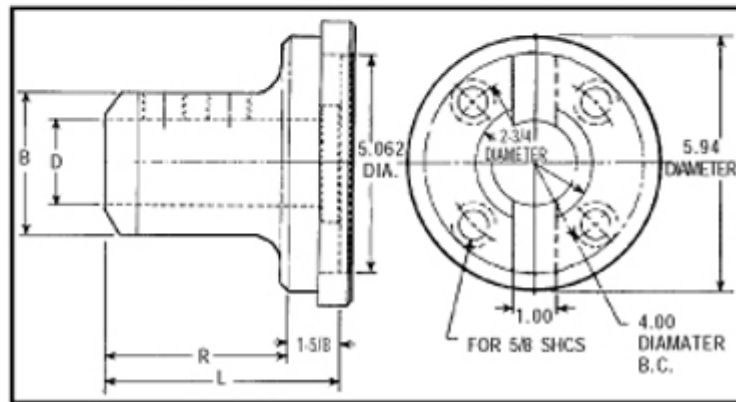
Catalog Number	P	B	Tapped Hole	L	R	List Price
FMX-305	1.250	2.90	5/8-18	5.00	2.87	\$630.00
FMX-308	1.250	2.90	5/8-18	8.00	5.87	\$720.00
FMX-310	1.250	2.90	5/8-18	10.00	7.87	\$930.00
FMX-312	1.250	2.90	5/8-18	12.00	9.87	\$990.00
FMX-315	1.250	2.90	5/8-18	15.00	12.87	\$1116.00
FMX-405	1.500	3.90	3/4-16	5.00	2.87	\$630.00
FMX-408	1.500	3.90	3/4-16	8.00	5.87	\$720.00
FMX-410	1.500	3.90	3/4-16	10.00	7.87	\$930.00
FMX-412	1.500	3.90	3/4-16	12.00	9.87	\$990.00
FMX-415	1.500	3.90	3/4-16	15.00	12.87	\$1116.00
FMX-417	1.500	3.90	3/4-16	17.00	14.87	\$1212.00
FMX-420	1.500	3.90	3/4-16	20.00	17.87	\$1350.00
FMX-425	1.500	3.90	3/4-16	25.00	22.87	\$1710.00
FMX-605	2.000	5.00	1-14	5.00	2.87	\$648.00
FMX-805	2.500	5.90	5/8-18 4 BHC	6.00	3.87	\$750.00
FMX-808	2.500	5.90	5/8-18 4 BHC	8.00	5.87	\$1110.00

Flange Mount End Mill Extensions



Precision Components Flange Mount 2" I.D. End Mill Extensions provide a rigid and stable base for end mills and EMX End Mill Extensions. They have an improved feature of neck down body with (4) Set-Screws 90° apart.

- Hardened
- Precision Ground
- American Made



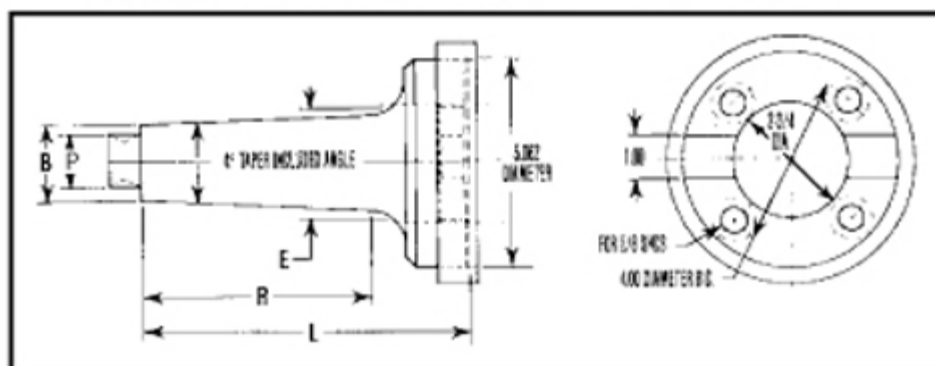
Catalog Number	D	L	R	B	List Price
FEX-2-5.250	2.000	5.250	3.12	3.50	\$642.00
FEX-2-5.250-W	2.000	5.250	3.12	5.13	\$678.00
FEX-2-8.000	2.000	8.000	5.87	3.50	\$720.00
FEX-2-12.000	2.000	12.000	9.87	3.50	\$774.00
FEX-2.500-6.000	2.500	6.000	3.87	5.13	\$648.00

Flange Mount Cutter Head Extensions



- Hardened
- Precision Ground
- American Made

The Precision Components Cutter Head Extensions provide the rigidity required to mill deep cavities and pockets. These Flange Mount Extensions are available in eleven lengths. Straight body Flange Mount Extensions are also available.



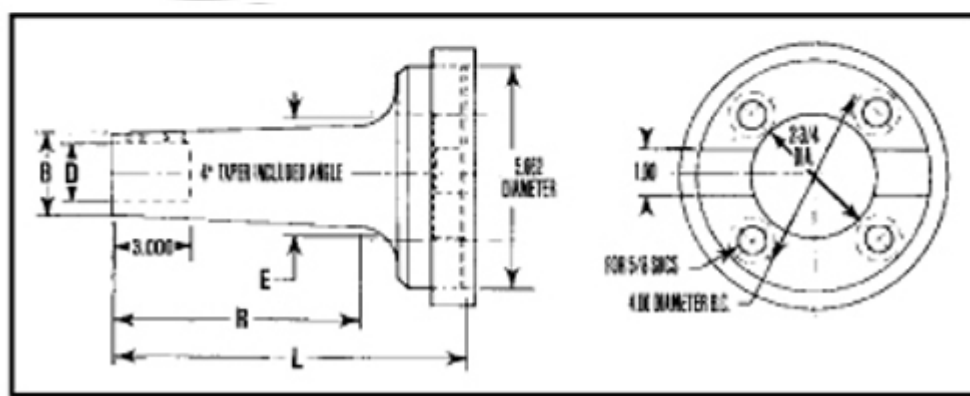
Catalog Number	P	L	R	B	E	List Price
CHX-206	1.250	6.75	3.87	1.88	2.16	\$660.00
CHX-208	1.250	8.75	5.87	1.88	2.30	\$690.00
CHX-210	1.250	10.75	7.87	1.88	2.44	\$720.00
CHX-212	1.250	12.75	9.87	1.88	2.58	\$750.00
CHX-214	1.250	14.75	11.87	1.88	2.72	\$810.00
CHX-216	1.250	16.75	13.87	1.88	2.86	\$870.00
CHX-218	1.250	18.75	15.87	1.88	2.99	\$960.00
CHX-220	1.250	20.75	17.87	1.88	3.13	\$1080.00
CHX-222	1.250	22.75	19.87	1.88	3.27	\$1230.00
CHX-224	1.250	24.75	21.87	1.88	3.41	\$1380.00
CHX-226	1.250	26.75	23.87	1.88	3.55	\$1620.00

Flange Mount I.D. Extensions



- Hardened
- Precision Ground
- American Made

These BMX Style Extensions are available in 11 lengths ranging from 4" to 24". They feature a 1-1/4" I.D. to accept all 1-1/4" Shank Tooling.



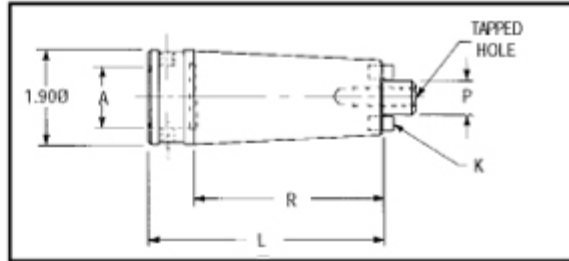
Catalog Number	D	L	R	B	E	List Price
BMX-1.250-4	1.250	4.00	1.87	1.88	2.02	\$630.00
BMX-1.250-6	1.250	6.00	3.87	1.88	2.16	\$666.00
BMX-1.250-8	1.250	8.00	5.87	1.88	2.30	\$708.00
BMX-1.250-10	1.250	10.00	7.87	1.88	2.44	\$756.00
BMX-1.250-12	1.250	12.00	9.87	1.88	2.58	\$792.00
BMX-1.250-14	1.250	14.00	11.87	1.88	2.72	\$852.00
BMX-1.250-16	1.250	16.00	13.87	1.88	2.86	\$912.00
BMX-1.250-18	1.250	18.00	15.87	1.88	2.99	\$1002.00
BMX-1.250-20	1.250	20.00	17.87	1.88	3.13	\$1122.00
BMX-1.250-22	1.250	22.00	19.87	1.88	3.27	\$1272.00
BMX-1.250-24	1.250	24.00	21.87	1.88	3.41	\$1422.00

CHXF Adapters



Precision Components' CHXF Adapters are designed to mount directly to Precision Components' Hi-Tork™ Cutter Head Extensions, making it easy to adapt shell mills to these holders.

- Hardened
- Precision Ground
- American Made



Catalog Number	P	K	Tapped Hole	L	R	A	List Price
CHXF-.750FMX-1.4	.750	.312	3/8-24	1.40	.53	CHX-1.25	\$184.00
CHXF-.750FMX-2.0	.750	.312	3/8-24	2.00	1.13	CHX-1.25	\$196.00
CHXF-.750FMX-4.0	.750	.312	3/8-24	4.00	3.13	CHX-1.25	\$207.00

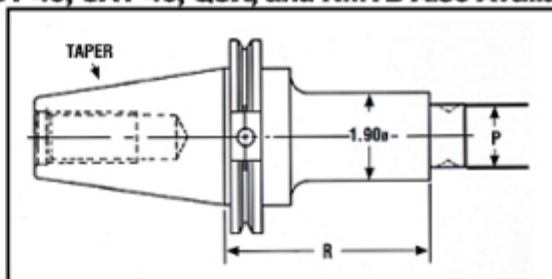
Cutter Head Extensions

These Cutter Head Extensions have a straight body of 1.900" so that a 2.000" button cutter can machine deep cavities and walls without interference.



- Hardened
- Precision Ground
- American Made

CAT-50 DIAGRAM SHOWN
BT-40, CAT-40, QSX, and NMTB Also Availab



Catalog Number	Taper	R	P	List Price
BT-40-CHX-1.19	BT-40	1.19	1.250	\$225.00
BT-40-CHX-03	BT-40	3.00	1.250	\$248.00
BT-40-CHX-05	BT-40	5.00	1.250	\$271.00
BT-40-CHX-07	BT-40	7.00	1.250	\$294.00
CAT-40-CHX-1.63	CAT-40	1.63	1.250	\$225.00
CAT-40-CHX-03	CAT-40	3.00	1.250	\$248.00
CAT-40-CHX-05	CAT-40	5.00	1.250	\$271.00
CAT-40-CHX-07	CAT-40	7.00	1.250	\$294.00
CAT-40-CHX-10	CAT-40	10.00	1.250	\$311.00
CAT-50-CHX-.88	CAT-50	.88	1.250	\$300.00
CAT-50-CHX-04	CAT-50	4.00	1.250	\$390.00
CAT-50-CHX-06*	CAT-50	6.00	1.250	\$408.00
CAT-50-CHX-08*	CAT-50	8.00	1.250	\$438.00
NMTB-50-CHX-.75	NMTB	.75	1.250	\$300.00
NMTB-50-CHX-04	NMTB-50	4.00	1.250	\$390.00
NMTB-50-CHX-06*	NMTB-50	6.00	1.250	\$408.00
NMTB-50-CHX-08*	NMTB-50	8.00	1.250	\$438.00
QSX-CHX-04	QSX-400	4.00	1.250	\$282.00
QSX-CHX-06	QSX-400	6.00	1.250	\$318.00
QSX-CHX-08	QSX-400	8.00	1.250	\$342.00

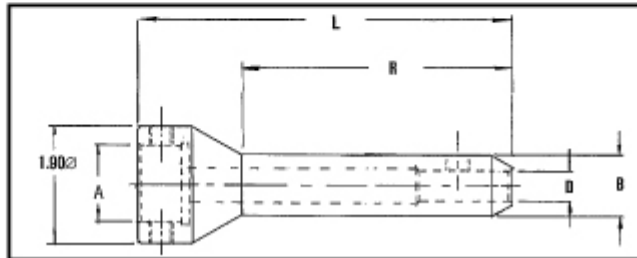
CHXA I.D. Adapter



CHXA

- Hardened
- Precision Ground
- American Made

Precision Components' CHX accessories are designed to mount directly to Precision Components' Hi-Tork™ cutter head locking system. Used whenever a tool change calls for converting a CHX 1.250" pilot, or just adding a couple of inches of reach to an existing CHX holder, these hardened and precision ground accessories significantly reduce tooling change over time.



Catalog Number	D	L	R	A	B	List Price
CHXA-.250-35	.250	3.50	1.95	CHX-1.25	.56	\$242.00
CHXA-.250-60	.250	6.00	4.45	CHX-1.25	.56	\$265.00
CHXA-.375-35	.375	3.50	2.07	CHX-1.25	.81	\$242.00
CHXA-.375-60	.375	6.00	4.57	CHX-1.25	.81	\$265.00
CHXA-.500-35	.500	3.50	2.14	CHX-1.25	.94	\$242.00
CHXA-.500-60	.500	6.00	4.64	CHX-1.25	.94	\$265.00
CHXA-.625-35	.625	3.50	2.23	CHX-1.25	1.12	\$242.00
CHXA-.625-60	.625	6.00	4.73	CHX-1.25	1.12	\$265.00
CHXA-.750-35	.750	3.50	2.30	CHX-1.25	1.25	\$242.00
CHXA-.750-60	.750	6.00	4.80	CHX-1.25	1.25	\$265.00
CHXA-1.000-35	1.000	3.50	2.51	CHX-1.25	1.68	\$242.00
CHXA-1.000-60	1.000	6.00	5.01	CHX-1.25	1.68	\$265.00
CHXA-1.250-35	1.250	3.50	3.50	CHX-1.25	1.90	\$242.00
CHXA-1.250-60	1.250	6.00	6.00	CHX-1.25	1.90	\$265.00

CHXE Cutter Head Extensions

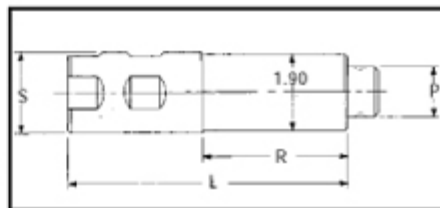


CHXS



CHXE

- Hardened
- Precision Ground
- American Made



Precision Components' CHXS adapter post converts a 1.250" and 2.000" end mill holder to a Hi-Tork™ cutter head mount.

Catalog Number	R	List Price
CHXE-2-2	2.000	\$213.00
CHXE-2-3	3.000	\$225.00

CHXS Adapter Posts

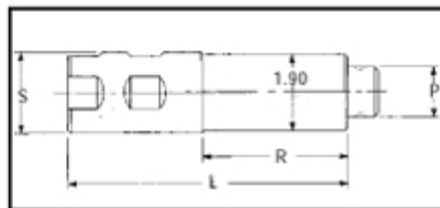


CHXS



CHXE

- Hardened
- Precision Ground
- American Made



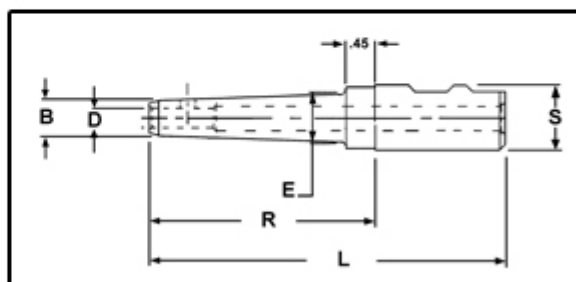
Precision Components' CHXS adapter post converts a 1.250" and 2.000" end mill holder to a Hi-Tork™ cutter head mount.

Catalog Number	P	L	R	S	List Price
CHXS	1.250	2.75	.5	1.250	\$167.00
CHXS-2.000-4	1.250	4.00	.75	2.000	\$276.00
CHXS-2.000-6	1.250	6.00	2.75	2.000	\$299.00
CHXS-2.000-8	1.250	8.00	4.75	2.000	\$322.00
CHXS-2.000-10	1.250	10.00	6.75	2.000	\$345.00
CHXS-2.000-12	1.250	12.00	8.75	2.000	\$368.00
CHXS-2.000-14	1.250	14.00	10.75	2.000	\$391.00

#25 Taper ER Solid Extensions

Precision Components ER Solid Extensions eliminate stack-up and run-out. The solid design helps decrease cycle time and deflection problems with unmatched, reliable, and consistent results. They are available in 2" and 4" projections.

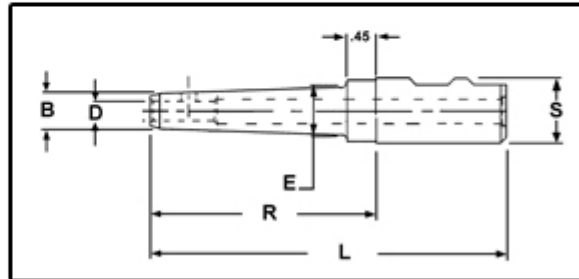
- Hardened
- Precision Ground
- American Made



Catalog Number	D	L	R	Taper	B	E	List Price
ERX-25-.125-2	.125	4.09	2.00	#25	.38	.51	\$202.00
ERX-25-.125-4	.125	6.09	4.00	#25	.38	.65	\$213.00
ERX-25-.187-2	.187	4.09	2.00	#25	.44	.57	\$202.00
ERX-25-.187-4	.187	6.09	4.00	#25	.44	.71	\$213.00
ERX-25-.250-2	.250	4.09	2.00	#25	.50	.63	\$202.00
ERX-25-.250-4	.250	6.09	4.00	#25	.50	.75	\$213.00
ERX-25-.312-2	.312	4.09	2.00	#25	.56	.75	\$202.00
ERX-25-.312-4	.312	6.09	4.00	#25	.56	.75	\$213.00
ERX-25-.375-2	.375	4.09	2.00	#25	.74	.75	\$202.00
ERX-25-.375-4	.375	6.09	4.00	#25	.74	.75	\$213.00
ERX-25-.437-2	.437	4.09	2.00	#25	.78	.78	\$202.00
ERX-25-.437-4	.437	6.09	4.00	#25	.78	.78	\$213.00
ERX-25-.500-2	.500	4.09	2.00	#25	.78	.78	\$202.00
ERX-25-.500-4	.500	6.09	4.00	#25	.78	.78	\$213.00

Precision Components ER Solid Extensions eliminate stack-up and run-out. The solid design helps decrease cycle time and deflection problems with unmatched, reliable, and consistent results. They are available in 2" and 4" projections.

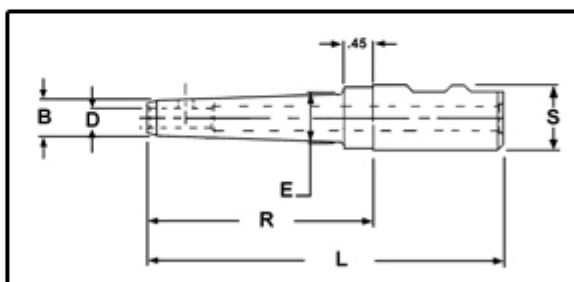
- Hardened
- Precision Ground
- American Made



#32 Taper ER Solid Extensions

Precision Components ER Solid Extensions eliminate stack-up and run-out. The solid design helps decrease cycle time and deflection problems with unmatched, reliable, and consistent results. They are available in 2" and 4" projections.

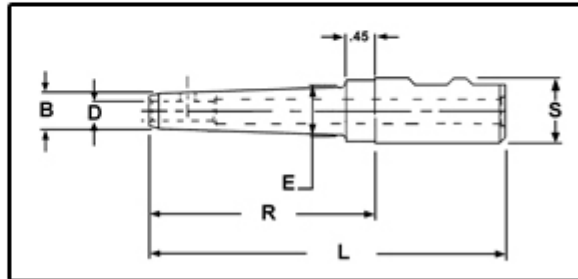
- Hardened
- Precision Ground
- American Made



Catalog Number	D	L	R	Taper	B	E	List Price
ERX-32-.125-2	.125	4.38	2.00	#32	.38	.51	\$202.00
ERX-32-.125-4	.125	6.38	4.00	#32	.38	.65	\$213.00
ERX-32-.187-2	.187	4.38	2.00	#32	.44	.57	\$202.00
ERX-32-.187-4	.187	6.38	4.00	#32	.44	.71	\$213.00
ERX-32-.250-2	.250	4.38	2.00	#32	.50	.63	\$202.00
ERX-32-.250-4	.250	6.38	4.00	#32	.50	.77	\$213.00
ERX-32-.312-2	.312	4.38	2.00	#32	.56	.69	\$202.00
ERX-32-.312-4	.312	6.38	4.00	#32	.56	.83	\$213.00
ERX-32-.375-2	.375	4.38	2.00	#32	.75	.88	\$202.00
ERX-32-.375-4	.375	6.38	4.00	#32	.75	1.00	\$213.00
ERX-32-.437-2	.437	4.38	2.00	#32	.81	.94	\$202.00
ERX-32-.437-4	.437	6.38	4.00	#32	.81	1.00	\$213.00
ERX-32-.500-2	.500	4.38	2.00	#32	.88	1.00	\$202.00
ERX-32-.500-4	.500	6.38	4.00	#32	.88	1.00	\$213.00

Precision Components ER Solid Extensions eliminate stack-up and run-out. The solid design helps decrease cycle time and deflection problems with unmatched, reliable, and consistent results. They are available in 2" and 4" projections.

- Hardened
- Precision Ground
- American Made

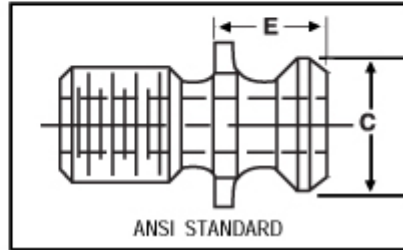


Standard Retention Knobs



Precision Components' Retention Knobs fit most American and imported machining centers. Please specify machine make and tool holder shank style when ordering knobs. We also stock many more standards and specials where not listed below. When in doubt, please call our toll free number for assistance.

- American Made

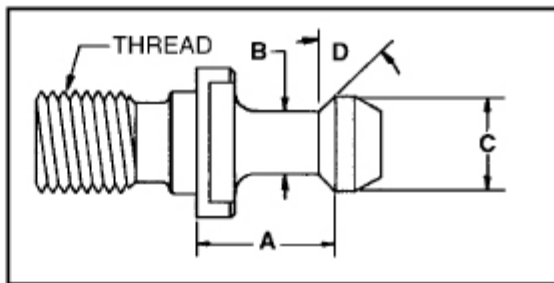


Catalog Number	C	E	Thread Size	List Price
CAT-30-ANSI	.52	.46	1/2-13	\$13.50
CAT-40-ANSI	.74	.64	5/8-11	\$13.50
CAT-45-ANSI	.94	.82	3/4-10	\$15.25
CAT-50-ANSI	1.14	1.00	1-8	\$15.50

Retention Knobs



• American Made

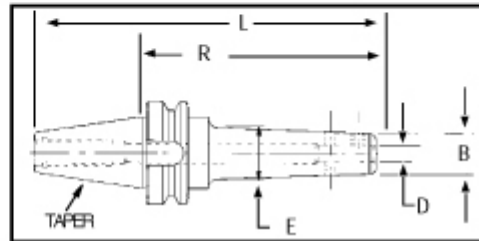


Catalog Number	Taper	A	B	C	D	Thread Size	List Price
BT-30-45-.71	BT-30	.71	.28	.43	45°	M12-1.75	\$13.50
BT-30-30-.71	BT-30	.71	.28	.43	30°	M12-1.75	\$13.50
CAT-40-45-.99	CAT-40	.99	.39	.59	45°	5/8-11	\$13.50
CAT-40-30-.99	CAT-40	.99	.39	.59	30°	5/8-11	\$13.50
CAT-40-0-.99	CAT-40	.99	.39	.59	0°	5/8-11	\$13.50
BT-40-45-1.10	BT-40	1.10	.39	.59	45°	M16-2	\$13.50
BT-40-30-1.10	BT-40	1.10	.39	.59	30°	M16-2	\$13.50
BT-40-0-1.10	BT-40	1.10	.39	.59	0°	M16-2	\$13.50
BT-45-45-1.22	BT-45	1.22	.55	.75	45°	M20-2.5	\$15.25
BT-45-30-1.22	BT-45	1.22	.55	.75	30°	M20-2.5	\$15.25
BT-45-0-1.22	BT-45	1.22	.55	.75	0°	M20-2.5	\$15.25
CAT-45-45-1.22	CAT-45	1.22	.55	.75	45°	3/4-10	\$15.25
CAT-45-30-1.22	CAT-45	1.22	.55	.75	30°	3/4-10	\$15.25
CAT-45-0-1.22	CAT-45	1.22	.55	.75	0°	3/4-10	\$15.25
CAT-50-45-1.38	CAT-50	1.38	.67	.91	45°	1	\$15.50
*CAT-50-45-1.38-C	CAT-50	1.38	.67	.91	45°	1"-8	\$27.50
CAT-50-30-1.38	CAT-50	1.38	.67	.91	30°	1"-8	\$15.50
CAT-50-0-1.38	CAT-50	1.38	.67	.91	0°	1"-8	\$15.50
BT-50-45-1.38	BT-50	1.38	.67	.91	45°	M24-3	\$15.50
BT-50-30-1.38	BT-50	1.38	.67	.91	30°	M24-3	\$15.50
BT-50-0-1.38	BT-50	1.38	.67	.91	0°	M24-3	\$15.50

BT-30 BT-40 Tap Drivers



These BT-30 and BT-40 Rigid Tap Drivers are designed for use on machining centers with a synchronized tapping control. Their slim design allows for easy clearance of fixtures, clamps superspacers and other causes of interference while also allowing coolant to be delivered directly to the tap. NOTE: Your machining center must have a synchronized tapping control.



- Hardened
- Precision Ground
- American Made

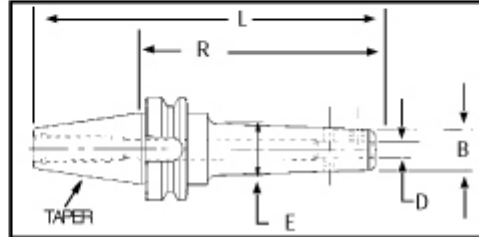
Catalog Number	D	L	R	Taper	B	E	List Price
BT-30-#0-#6TD-4	.141	5.906	4.00	BT-30	.52	.71	\$207.00
BT-30-#8TD-4	.168	5.906	4.00	BT-30	.54	.72	\$207.00
BT-30-#10TD-4	.194	5.906	4.00	BT-30	.57	.75	\$207.00
BT-30-#12TD-4	.220	5.906	4.00	BT-30	.60	.79	\$207.00
BT-30-1/4TD-4	.255	5.906	4.00	BT-30	.63	.81	\$207.00
BT-30-5/16TD-4	.318	5.906	4.00	BT-30	.74	.92	\$207.00
BT-30-3/8TD-4	.381	5.906	4.00	BT-30	.80	.98	\$207.00
BT-30-7/16TD-4	.323	5.906	4.00	BT-30	.74	.92	\$207.00
BT-30-1/2TD-4	.367	5.906	4.00	BT-30	.79	.97	\$207.00
BT-30-1/16-1/8PTD-4	.312	5.906	4.00	BT-30	.69	.87	\$207.00
BT-30-1/16-1/8PTD-4	.437	5.906	4.00	BT-30	.86	1.04	\$207.00
BT-30-1/4PTD-4	.562	5.906	4.00	BT-30	1.06	1.25	\$207.00
BT-30-3/8PTD-4	.700	5.906	4.00	BT-30	1.32	1.50	\$207.00
BT-30-1/2PTD-4	.688	5.906	4.00	BT-30	1.31	1.49	\$207.00
BT-40-#0-#6TD-4	.141	6.58	4.00	BT-40	.52	.71	\$213.00
BT-40-#0-#6TD-6	.141	8.58	6.00	BT-40	.52	.84	\$242.00
BT-40-#8TD-4	.168	6.58	4.00	BT-40	.54	.72	\$213.00
BT-40-#8TD-6	.168	8.58	6.00	BT-40	.54	.86	\$242.00
BT-40-#10TD-4	.194	6.58	4.00	BT-40	.57	.75	\$213.00
BT-40-#10TD-6	.194	8.58	6.00	BT-40	.57	.90	\$242.00
BT-40-#12TD-4	.220	6.58	4.00	BT-40	.60	.77	\$213.00
BT-40-#12TD-6	.220	8.58	6.00	BT-40	.60	.91	\$242.00

BT-40-1/4TD-4	.255	6.58	4.00	BT-40	.63	.81	\$213.00
BT-40-1/4TD-6	.255	8.58	6.00	BT-40	.63	.96	\$242.00
BT-40-5/16TD-4	.318	6.58	4.00	BT40	.74	.92	\$213.00
BT-40-5/16TD-6	.318	8.58	6.00	BT-40	.74	1.07	\$242.00
BT-40-3/8TD-4	.381	6.58	4.00	BT-40	.80	.98	\$213.00
BT-40-3/8TD-6	.381	8.58	6.00	BT-40	.80	1.13	\$242.00
BT-40-7/16TD-4	.323	6.58	4.00	BT-40	.74	.92	\$213.00
BT-40-7/16TD-6	.323	8.58	6.00	BT-40	.74	1.07	\$242.00
BT-40-1/2TD-4	.367	6.58	4.00	BT-40	.79	.97	\$213.00
BT-40-1/2TD-6	.367	8.58	6.00	BT-40	.79	1.12	\$242.00
BT-40-9/16TD-4	.429	6.58	4.00	BT-40	.93	1.02	\$213.00
BT-40-9/16TD-6	.429	8.58	6.00	BT-40	.93	1.27	\$242.00
BT-40-5/8TD-4	.480	6.58	4.00	BT-40	.98	1.20	\$213.00.
BT-40-5/8TD-6	.480	8.58	6.00	BT-40	.98	1.31	\$242.00
BT-40-3/4TD-4	.590	6.58	4.00	BT-40	1.10	1.33	\$213.00
BT-40-3/4TD-6	.590	8.58	6.00	BT-40	1.10	1.43	\$242.00
BT-40-7/8TD-4	.697	6.58	4.00	BT-40	1.32	1.49	\$213.00
BT-40-7/8TD-6	.697	8.58	6.00	BT-40	1.32	1.64	\$242.00
BT-40-1.000TD-4	.800	6.58	4.00	BT-40	1.55	1.75	\$213.00.
BT-40-1.000TD-6	.800	8.58	6.00	BT-40	1.55	1.86	\$242.00
BT-40-1/16-1/8PTD-4	.312/.437	6.58	4.00	BT-40	.69/.86	.87/1.04	\$213.00
BT-40-1/16-1/8PTD-6	.312/.437	8.58	6.00	BT-40	.69/.86	1.01/1.08	\$242.00
BT-40-1/4PTD-4	.562	6.58	4.00	BT-40	1.06	1.25	\$213.00
BT-40-1/4PTD-6	.562	8.58	6.00	BT-40	1.06	1.38	\$242.00
BT-40-3/8PTD-4	.700	6.58	4.00	BT-40	1.32	1.50	\$213.00
BT-40-3/8PTD-6	.700	8.58	6.00	BT-40	1.32	1.64	\$242.00
BT-40-1/2PTD-4	.688	6.58	4.00	BT-40	1.31	1.49	\$213.00
BT-40-1/2PTD-6	.688	8.58	6.00	BT-40	1.31	1.63	\$242.00



These BT-30 and BT-40 Rigid Tap Drivers are designed for use on machining centers with a synchronized tapping control. Their slim design allows for easy clearance of fixtures, clamps superspacers and other causes of interference while also allowing coolant to be delivered directly to the tap. NOTE: Your machining center must have a synchronized tapping control.

- Hardened
- Precision Ground
- American Made



CAT-40 Tap Drivers

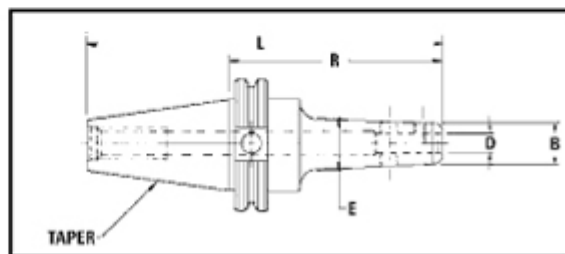
COOLANT THROUGH DIN & MAHO KNOTCHES

AVAILABLE UPON REQUEST



- Hardened
- Precision Ground
- American Made

Precision Components' Rigid Tap Drivers eliminate the bushings and collets associated with most systems. With the slim design, hard to reach areas can be tapped with a minimum of interference. NOTE: Your machining center must have synchronized tapping in the control.



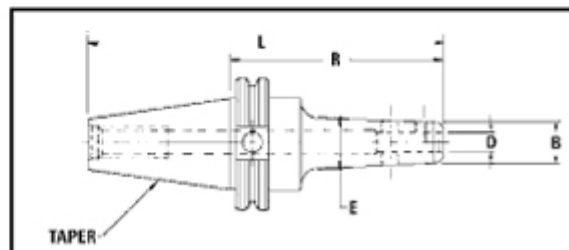
Catalog Number	D	L	R	Taper	B	E	List Price
CAT-40-#0-#6TD-4	.141	6.68	4.00	CAT-40	.52	.71	\$213.00
CAT-40-#0-#6TD-6	.141	8.68	6.00	CAT-40	.52	.84	\$242.00
CAT-40-#8TD-4	.168	6.68	4.00	CAT-40	.54	.72	\$213.00
CAT-40-#8TD-6	.168	8.68	6.00	CAT-40	.54	.86	\$242.00
CAT-40-#10TD-4	.194	6.68	4.00	CAT-40	.57	.75	\$213.00
CAT-40-#10TD-6	.194	8.68	6.00	CAT-40	.57	.90	\$242.00
CAT-40-#12TD-4	.220	6.68	4.00	CAT-40	.60	.78	\$213.00
CAT-40-#12TD-6	.220	8.68	6.00	CAT-40	.60	.92	\$242.00
CAT-40-1/4TD-4	.255	6.68	4.00	CAT-40	.63	.81	\$213.00
CAT-40-1/4TD-6	.255	8.68	6.00	CAT-40	.63	.96	\$242.00
CAT-40-5/16TD-4	.318	6.68	4.00	CAT-40	.74	.92	\$213.00
CAT-40-5/16TD-6	.318	8.68	6.00	CAT-40	.74	1.07	\$242.00
CAT-40-3/8TD-4	.381	6.68	4.00	CAT-40	.80	.98	\$213.00
CAT-40-3/8TD-6	.381	8.68	6.00	CAT-40	.80	1.13	\$242.00
CAT-40-7/16TD-4	.323	6.68	4.00	CAT-40	.74	.92	\$213.00
CAT-40-7/16TD-6	.323	8.68	6.00	CAT-40	.74	1.07	\$242.00
CAT-40-1/2TD-4	.367	6.68	4.00	CAT-40	.79	.97	\$213.00
CAT-40-1/2TD-6	.367	8.68	6.00	CAT-40	.79	1.12	\$242.00

CAT-40-9/16TD-4	.429	6.68	4.00	CAT-40	.93	1.12	\$213.00
CAT-40-9/16TD-6	.429	8.68	6.00	CAT-40	.93	1.26	\$242.00
CAT-40-5/8TD-4	.480	6.68	4.00	CAT-40	.98	1.16	\$213.00
CAT-40-5/8TD-6	.480	8.68	6.00	CAT-40	.98	1.30	\$242.00
CAT-40-3/4TD-4	.590	6.68	4.00	CAT-40	1.10	1.28	\$213.00
CAT-40-3/4TD-6	.590	8.68	6.00	CAT-40	1.10	1.42	\$242.00
CAT-40-7/8TD-4	.697	6.68	4.00	CAT-40	1.32	1.50	\$213.00
CAT-40-7/8TD-6	.697	8.68	6.00	CAT-40	1.32	1.64	\$242.00
CAT-40-1.000TD-4	.800	6.68	4.00	CAT-40	1.55	1.75	\$213.00
CAT-40-1.000TD-6	.800	8.68	6.00	CAT-40	1.55	1.75	\$242.00
CAT-40-1/16-1/8PTD-4	.312/.437	6.68	4.00	CAT-40	.69/.86	.87/1.04	\$213.00
CAT-40-1/16-1/8PTD-6	.312/.437	8.68	6.00	CAT-40	.69/.86	1.01/1.18	\$242.00
CAT-40-1/4PTD-4	.562	6.68	4.00	CAT-40	1.06	1.25	\$213.00
CAT-40-1/4PTD-6	.562	8.68	6.00	CAT-40	1.06	1.38	\$242.00
CAT-40-3/8PTD-4	.700	6.68	4.00	CAT-40	1.32	1.50	\$213.00
CAT-40-3/8PTD-6	.700	8.68	6.00	CAT-40	1.32	1.64	\$242.00
CAT-40-1/2PTD-4	.688	6.68	4.00	CAT-40	1.31	1.49	\$213.00
CAT-40-1/2PTD-6	.688	8.68	6.00	CAT-40	1.31	1.63	\$242.00
CAT-40-3/4PTD-4	.906	6.68	4.00	CAT-40	1.66	1.84	\$213.00
CAT-40-3/4PTD-6	.906	8.68	6.00	CAT-40	1.66	1.98	\$242.00
CAT-40-1.000PTD-4	1.125	6.68	4.00	CAT-40	2.13	2.31	\$213.00
CAT-40-1.000PTD-6	1.125	8.68	6.00	CAT-40	2.13	2.45	\$242.00



- Hardened
- Precision Ground
- American Made

Precision Components' Rigid Tap Drivers eliminate the bushings and collets associated with most systems. With the slim design, hard to reach areas can be tapped with a minimum of interference. NOTE: Your machining center must have synchronized tapping in the control.

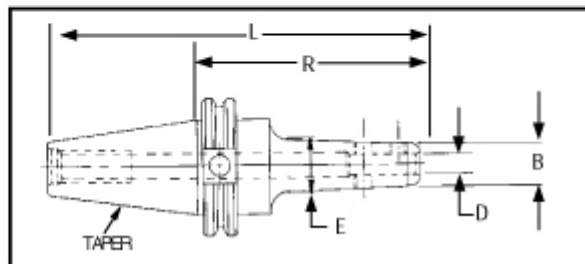


CAT-50 Tap Drivers

COOLANT THROUGH DIN & MAHO KNOTCHES



Precision Components' Rigid Tap Drivers eliminate the bushings and collets associated with most systems. The slim design allows hard to reach areas to be tapped with minimum interference. NOTE: Your machining center must have a synchronized tapping control.



- Hardened
- Precision Ground
- American Made

AVAILABLE UPON REQUEST

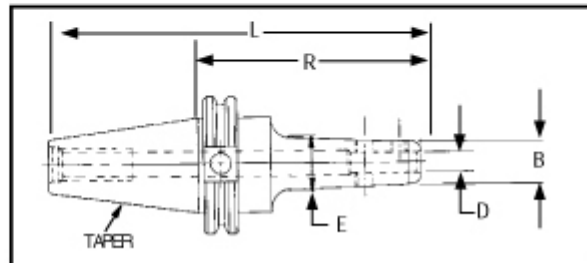
Catalog Number	D	L	R	Taper	B	E	List Price
CAT-50-#0-#6TD-6	.141	10.000	6.000	CAT-50	.52	.84	\$390.00
CAT-50-#0-#6TD-9	.141	13.000	9.000	CAT-50	.52	1.05	\$450.00
CAT-50-#8TD-6	.168	10.000	6.000	CAT-50	.54	.86	\$390.00
CAT-50-#8TD-9	.168	13.000	9.000	CAT-50	.54	1.07	\$450.00
CAT-50-#10TD-6	.194	10.000	6.000	CAT-50	.57	.90	\$390.00
CAT-50-#10TD-9	.194	13.000	9.000	CAT-50	.57	1.11	\$450.00
CAT-50-#12TD-6	.220	10.00	6.00	CAT-450	.60	.92	\$390.00
CAT-50-#12TD-9	.220	13.00	9.00	CAT-50	.60	1.13	\$450.00
CAT-50-1/4TD-6	.255	10.000	6.000	CAT-50	.63	.96	\$390.00
CAT-50-1/4TD-9	.255	13.000	9.000	CAT-50	.63	1.17	\$450.00
CAT-50-5/16TD-6	.318	10.000	6.000	CAT-50	.74	1.07	\$390.00
CAT-50-5/16TD-9	.318	13.000	9.000	CAT-50	.74	1.28	\$450.00
CAT-50-3/8TD-6	.381	10.000	6.000	CAT-50	.80	1.13	\$390.00
CAT-50-3/8TD-9	.381	13.000	9.000	CAT-50	.80	1.34	\$450.00
CAT-50-7/16TD-6	.323	10.000	6.000	CAT-50	.74	1.07	\$390.00
CAT-50-7/16TD-9	.323	13.000	9.000	CAT-50	.74	1.27	\$450.00
CAT-50-1/2TD-6	.367	10.000	6.000	CAT-50	.79	1.12	\$390.00
CAT-50-1/2TD-9	.367	13.000	9.000	CAT-50	.79	1.33	\$450.00
CAT-50-9/16TD-6	.429	10.000	6.000	CAT-50	.93	1.27	\$390.00
CAT-50-9/16TD-9	.429	13.000	9.000	CAT-50	.93	1.47	\$450.00
CAT-50-5/8TD-6	.480	10.000	6.000	CAT-50	.98	1.31	\$390.00

CAT-50-5/8TD-9	.480	13.000	9.000	CAT-50	.98	1.52	\$450.00
CAT-50-3/4TD-6	.590	10.000	6.000	CAT-50	1.10	1.43	\$390.00
CAT-50-3/4TD-9	.590	13.000	9.000	CAT-50	1.10	1.63	\$450.00
CAT-50-7/8TD-6	.697	10.000	6.000	CAT-50	1.32	1.64	\$390.00
CAT-50-7/8TD-9	.697	13.000	9.000	CAT-50	1.32	1.85	\$450.00
CAT-50-1.000TD-6	.800	10.000	6.000	CAT-50	1.55	1.86	\$390.00
CAT-50-1.000TD-9	.800	13.000	9.000	CAT-50	1.55	2.07	\$450.00
CAT-50-1.062-1.125TD-6	.896	10.000	6.000	CAT-50	1.65	1.96	\$390.00
CAT-50-1.062-1.125TD-9	.896	13.000	9.000	CAT-50	1.65	2.17	\$450.00
CAT-50-1.187-1.250TD-6	1.021	10.000	6.000	CAT-50	1.90	2.22	\$390.00
CAT-50-1.187-1.250TD-9	1.021	13.000	9.000	CAT-50	1.90	2.43	\$450.00
CAT-50-1.312-1.375TD-6	1.108	10.000	6.000	CAT-50	2.11	2.43	\$390.00
CAT-50-1.312-1.375TD-9	1.108	13.000	9.000	CAT-50	2.11	2.64	\$450.00
CAT-50-1.437-1.500TD-6	1.233	10.000	6.000	CAT-50	2.24	2.54	\$390.00
CAT-50-1.437-1.500TD-9	1.233	13.000	9.000	CAT-50	2.24	2.75	\$450.00
CAT-50-1/16-1/8PTD-6	.312/.437	10.000	6.000	CAT-50	.69/.86	1.02/1.19	\$390.00
CAT-50-1/16-1/8PTD-9	.312/.437	13.000	9.000	CAT-50	.69/.86	1.23/1.40	\$450.00
CAT-50-1/4PTD-6	.562	10.000	6.000	CAT-50	1.06	1.38	\$390.00
CAT-50-1/4PTD-9	.562	13.000	9.000	CAT-50	1.06	1.59	\$450.00
CAT-50-3/8PTD-6	.700	10.000	6.000	CAT-50	1.32	1.64	\$390.00
CAT-50-3/8PTD-9	.700	13.000	9.000	CAT-50	1.32	1.85	\$450.00
CAT-50-1/2PTD-6	.688	10.000	6.000	CAT-50	1.31	1.63	\$390.00
CAT-50-1/2PTD-9	.688	13.000	9.000	CAT-50	1.31	1.84	\$450.00
CAT-50-3/4PTD-6	.906	10.000	6.000	CAT-50	1.66	1.98	\$390.00
CAT-50-3/4PTD-9	.906	13.000	9.000	CAT-50	1.66	2.19	\$450.00
CAT-50-1.000PTD-6	1.125	10.000	6.000	CAT-50	2.13	2.45	\$390.00
CAT-50-1.000PTD-9	1.125	13.000	9.000	CAT-50	2.13	2.66	\$450.00
CAT-50-1.250PTD-6	1.312	10.000	6.000	CAT-50	2.31	2.62	\$390.00
CAT-50-1.250PTD-9	1.312	13.000	9.000	CAT-50	2.31	2.75	\$450.00



Precision Components' Rigid Tap Drivers eliminate the bushings and collets associated with most systems. The slim design allows hard to reach areas to be tapped with minimum interference. NOTE: Your machining center must have a synchronized tapping control.

- Hardened
- Precision Ground
- American Made

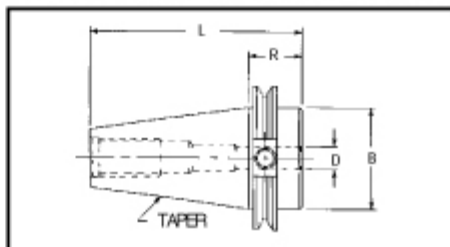


Stubby Holders

New STUBBY tool holders give maximum rigidity, minimum deflection, and allows you to machine parts that are normally too tall for your Z axis.



- Hardened
- Precision Ground
- American Made



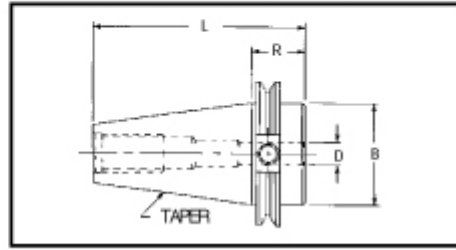
Catalog Number	D	R	Taper	B	L	List Price
BT-30-.250-STUBBY	.250	1.375	BT-30	1.25	3.28	\$138.00
BT-30-.312-STUBBY	.312	1.375	BT-30	.125	3.28	\$138.00
BT-30-.375-STUBBY	.375	1.375	BT-30	1.25	3.28	\$138.00
BT-30-.500-STUBBY	.500	1.375	BT-30	1.25	3.28	\$138.00
BT-30-.625-STUBBY	.625	1.375	BT-30	1.25	3.28	\$138.00
BT-30-.750-STUBBY	.750	1.375	BT-30	1.25	3.28	\$138.00
BT-40-.250-STUBBY	.250	1.69	BT-40	1.75	4.26	\$144.00
BT-40-.375-STUBBY	.375	1.69	BT-40	1.75	4.26	\$144.00
BT-40-.500-STUBBY	.500	1.69	BT-40	1.75	4.26	\$144.00
BT-40-.625-STUBBY	.625	1.69	BT-40	1.75	4.26	\$144.00
BT-40-.750-STUBBY	.750	1.69	BT-40	1.75	4.26	\$144.00
BT-40-.875-STUBBY	.875	1.69	BT-40	1.75	4.26	\$144.00
BT-40-1.000-STUBBY	1.000	1.69	BT-40	1.75	4.26	\$144.00
CAT-40-.250-STUBBY	.250	1.375	CAT-40	1.75	4.06	\$144.00
CAT-40-.375-STUBBY	.375	1.375	CAT-40	1.75	4.06	\$144.00
CAT-40-.500-STUBBY	.500	1.375	CAT-40	1.75	4.06	\$144.00
CAT-40-.625-STUBBY	.625	1.375	CAT-40	1.75	4.06	\$144.00
CAT-40-.750-STUBBY	.750	1.375	CAT-40	1.75	4.06	\$144.00
CAT-40-.875-STUBBY	.875	1.375	CAT-40	1.75	4.06	\$144.00
CAT-40-1.000-STUBBY	1.000	1.375	CAT-40	1.75	4.06	\$144.00
BT-45-.250-STUBBY	.250	1.92	BT-45	2.25	5.18	\$161.00
BT-45-.375-STUBBY	.375	1.92	BT-45	2.25	5.18	\$161.00
BT-45-.500-STUBBY	.500	1.92	BT-45	2.25	5.18	\$161.00
BT-45-.625-STUBBY	.625	1.92	BT-45	2.25	5.18	\$161.00
BT-45-.750-STUBBY	.750	1.92	BT-45	2.25	5.18	\$161.00

BT-45-.875-STUBBY	.875	1.92	BT-45	2.25	5.18	\$161.00
BT-45-1.000-STUBBY	1.000	1.92	BT-45	2.25	5.18	\$161.00
BT-45-1.250-STUBBY	1.250	1.92	BT-45	2.25	5.18	\$161.00
CAT-45-.250-STUBBY	.250	1.375	CAT-45	2.25	4.625	\$161.00
CAT-45-.375-STUBBY	.375	1.375	CAT-45	2.25	4.625	\$161.00
CAT-45-.500-STUBBY	.500	1.375	CAT-45	2.25	4.625	\$161.00
CAT-45-.625-STUBBY	.625	1.375	CAT-45	2.25	4.625	\$161.00
CAT-45-.750-STUBBY	.750	1.375	CAT-45	2.25	4.625	\$161.00
CAT-45-.875-STUBBY	.875	1.375	CAT-45	2.25	4.625	\$161.00
CAT-45-1.000-STUBBY	1.000	1.375	CAT-45	2.25	4.625	\$161.00
CAT-45-1.250-STUBBY	1.250	1.375	CAT-45	2.25	4.625	\$161.00
BT-50-.250-STUBBY	.250	2.12	BT-50	2.75	6.13	\$174.00
BT-50-.375-STUBBY	.375	2.12	BT-50	2.75	6.13	\$174.00
BT-50-.500-STUBBY	.500	2.12	BT-50	2.75	6.13	\$174.00
BT-50-.625-STUBBY	.625	2.12	BT-50	2.75	6.13	\$174.00
BT-50-.750-STUBBY	.750	2.12	BT-50	2.75	6.13	\$174.00
BT-50-.875-STUBBY	.875	2.12	BT-50	2.75	6.13	\$174.00
BT-50-1.000-STUBBY	1.000	2.12	BT-50	2.75	6.13	\$174.00
BT-50-1.250-STUBBY	1.250	2.12	BT-50	2.75	6.13	\$174.00
BT-50-1.500-STUBBY	1.500	2.12	BT-50	2.75	6.13	\$174.00
CAT-50-.250-STUBBY	.250	1.375	CAT-50	2.75	5.38	\$174.00
CAT-50-.375-STUBBY	.375	1.375	CAT-50	2.75	5.38	\$174.00
CAT-50-.500-STUBBY	.500	1.375	CAT-50	2.75	5.38	\$174.00
CAT-50-.625-STUBBY	.625	1.375	CAT-50	2.75	5.38	\$174.00
CAT-50-.750-STUBBY	.750	1.375	CAT-50	2.75	5.38	\$174.00
CAT-50-.875-STUBBY	.875	1.375	CAT-50	2.75	5.38	\$174.00
CAT-50-1.000-STUBBY	1.000	1.375	CAT-50	2.75	5.38	\$174.00
CAT-50-1.250-STUBBY	1.250	1.375	CAT-50	2.75	5.38	\$174.00
CAT-50-1.500-STUBBY	1.500	1.375	CAT-50	2.75	5.38	\$174.00

New STUBBY tool holders give maximum rigidity, minimum deflection, and allows you to machine parts that are normally too tall for your Z axis.



- Hardened
- Precision Ground
- American Made

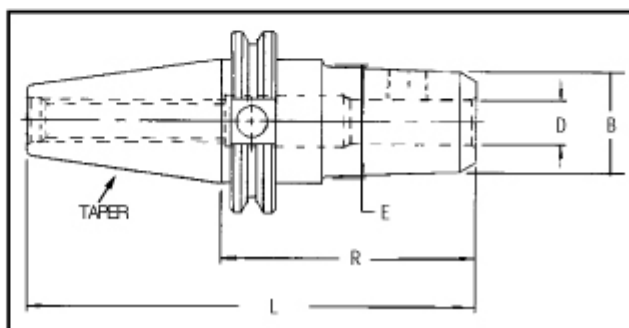


CAT-40 Standard Balanced



Precision Components "STANDARDS" are designed to replace the old standard length tooling. All holders are high speed balanced, have coolant thru, and are slim in design, which cause less interference and better coolant contact at cutting edge. All fraction sizes are in stock, eliminating bulky drill chucks, collets, and special tooling.

- Hardened
- Precision Ground
- American Made



BALANCED UP TO 12,000 RPM

Catalog Number	D	L	R	Taper	B	E	List Price
CAT-40.1250-STD	.1250	4.94	2.25	CAT-40	.44	.50	\$159.00
CAT-40-.1406-STD	.1406	4.94	2.25	CAT-40	.44	.50	\$194.00
CAT-40-.1562-STD	.1562	4.94	2.25	CAT-40	.47	.53	\$194.00
CAT-40-.1719-STD	.1719	4.94	2.25	CAT-40	.47	.53	\$194.00
CAT-40-.1875-STD	.1875	4.94	2.25	CAT-40	.53	.59	\$159.00
CAT-40-.2031-STD	.2031	4.94	2.25	CAT-40	.53	.59	\$194.00
CAT-40-.2187-STD	.2187	4.94	2.25	CAT-40	.56	.62	\$194.00
CAT-40-.2344-STD	.2344	4.94	2.25	CAT-40	.56	.62	\$194.00
CAT-40-.2500-STD	.2500	5.19	2.50	CAT-40	.62	.70	\$159.00
CAT-40-.2656-STD	.2656	5.19	2.50	CAT-40	.62	.70	\$194.00
CAT-40-.2812-STD	.2812	5.19	2.50	CAT-40	.65	.73	\$194.00
CAT-40-.2969-STD	.2969	5.19	2.50	CAT-40	.65	.73	\$194.00
CAT-40-.3125-STD	.3125	5.19	2.50	CAT-40	.68	.76	\$159.00
CAT-40-.3281-STD	.3281	5.19	2.50	CAT-40	.68	.76	\$194.00
CAT-40-.3438-STD	.3438	5.19	2.50	CAT-40	.71	.79	\$194.00
CAT-40-.3594-STD	.3594	5.19	2.50	CAT-40	.71	.79	\$194.00
CAT-40-.3750-STD	.3750	5.44	2.75	CAT-40	.88	.98	\$159.00
CAT-40-.3908-STD	.3908	5.44	2.75	CAT-40	.88	.98	\$194.00

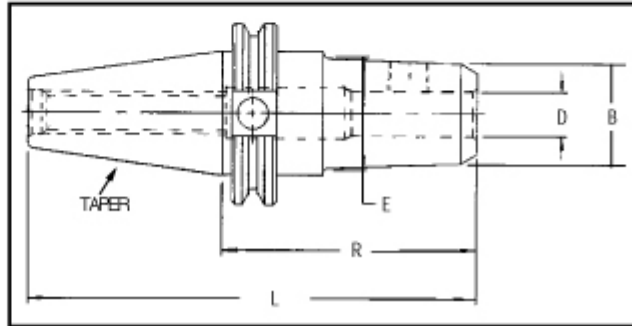
CAT-40-.4062-STD	.4062	5.44	2.75	CAT-40	.91	1.01	\$194.00
CAT-40-.4219-STD	.4219	5.44	2.75	CAT-40	.91	1.01	\$194.00
CAT-40-.4375-STD	.4375	5.44	2.75	CAT-40	.94	1.04	\$159.00
CAT-40-.4531-STD	.4531	5.44	2.75	CAT-40	.94	1.04	\$194.00
CAT-40-.4688-STD	.4688	5.44	2.75	CAT-40	.97	1.07	\$194.00
CAT-40-.4847-STD	.4847	5.44	2.75	CAT-40	.97	1.07	\$194.00
CAT-40-.5000-STD	.5000	5.44	2.75	CAT-40	1.12	1.22	\$159.00
CAT-40-.5156-STD	.5156	5.69	3.00	CAT-40	1.12	1.24	\$194.00
CAT-40-.5312-STD	.5312	5.69	3.00	CAT-40	1.15	1.27	\$194.00
CAT-40-.5469-STD	.5469	5.69	3.00	CAT-40	1.15	1.27	\$194.00
CAT-40-.5625-STD	.5625	5.69	3.00	CAT-40	1.18	1.30	\$194.00
CAT-40-.5781-STD	.5781	5.69	3.00	CAT-40	1.18	1.30	\$194.00
CAT-40-.5938-STD	.5938	5.69	3.00	CAT-40	1.21	1.34	\$194.00
CAT-40-.6094-STD	.6094	5.69	3.00	CAT-40	1.21	1.34	\$194.00
CAT-40-.6250-STD	.6250	6.19	3.50	CAT-40	1.38	1.53	\$159.00
CAT-40-.6406-STD	.6406	6.19	3.50	CAT-40	1.38	1.53	\$194.00
CAT-40-.6563-STD	.6563	6.19	3.50	CAT-40	1.41	1.56	\$194.00
CAT-40-.6719-STD	.6719	6.19	3.50	CAT-40	1.41	1.56	\$194.00
CAT-40-.6875-STD	.6875	6.19	3.50	CAT-40	1.44	1.59	\$194.00
CAT-40-.7031-STD	.7031	6.19	3.50	CAT-40	1.44	1.59	\$194.00
CAT-40-.7188-STD	.7188	6.19	3.50	CAT-40	1.47	1.62	\$194.00
CAT-40-.7344-STD	.7344	6.19	3.50	CAT-40	1.47	1.62	\$194.00
CAT-40-.7500-STD	.7500	6.19	3.50	CAT-40	1.62	1.75	\$159.00
CAT-40-.7656-STD	.7656	6.19	3.50	CAT-40	1.62	1.75	\$194.00
CAT-40-.7813-STD	.7813	6.19	3.50	CAT-40	1.65	1.75	\$194.00
CAT-40-.7969-STD	.7969	6.19	3.50	CAT-40	1.65	1.75	\$194.00
CAT-40-.8125-STD	.8125	6.19	3.50	CAT-40	1.68	1.75	\$194.00
CAT-40-.8281-STD	.8281	6.19	3.50	CAT-40	1.68	1.75	\$194.00
CAT-40-.8438-STD	.8438	6.19	3.50	CAT-40	1.71	1.75	\$194.00
CAT-40-.8594-STD	.8594	6.19	3.50	CAT-40	1.71	1.75	\$194.00
CAT-40-.8750-STD	.8750	6.69	4.00	CAT-40	1.75	1.75	\$159.00
CAT-40-.8906-STD	.8906	5.19	2.50	CAT-40	1.75	1.75	\$194.00
CAT-40-.9063-STD	.9063	5.19	2.50	CAT-40	1.78	1.78	\$194.00
CAT-40-.9219-STD	.9219	5.19	2.50	CAT-40	1.78	1.78	\$194.00
CAT-40-.9375-STD	.9375	5.19	2.50	CAT-40	1.81	1.81	\$194.00
CAT-40-.9531-STD	.9531	5.19	2.50	CAT-40	1.81	1.81	\$194.00
CAT-40-.9688-STD	.9688	5.19	2.50	CAT-40	1.84	1.84	\$194.00

CAT-40-.9844-STD	.9844	5.19	2.50	CAT-40	1.84	1.84	\$194.00
CAT-40-1.000-STD	1.000	6.94	4.25	CAT-40	2.25	2.25	\$159.00
CAT-40-1.250-STD	1.250	6.94	4.25	CAT-40	2.50	2.50	\$159.00
CAT-40-1.500-STD	1.500	7.30	4.62	CAT-40	2.75	2.75	\$202.00
CAT-40-2.000-STD	2.000	8.69	6.00	CAT-40	3.75	3.75	\$225.00



Precision Components "STANDARDS" are designed to replace the old standard length tooling. All holders are high speed balanced, have coolant thru, and are slim in design, which cause less interference and better coolant contact at cutting edge. All fraction sizes are in stock, eliminating bulky drill chucks, collets, and special tooling.

- Hardened
- Precision Ground
- American Made

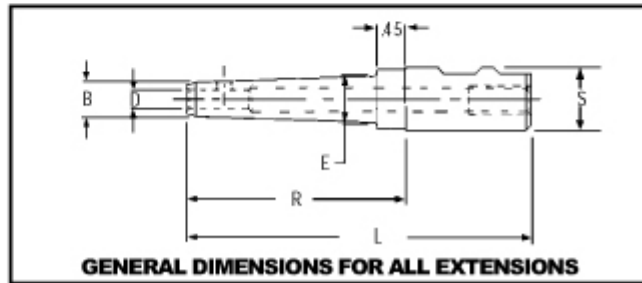


LRM & LRX Metrics

LRM and LRX Extensions with METRIC I.D.'s are designed to give maximum rigidity at extended lengths with clearance hole through to accept carbide blanks and double end end mills.



- Hardened
- Precision Ground
- American Made



Catalog Number	D	L	R	S	B	E	List Price
LRM-3MM-40-1	3MM	4.00	2.00	1.000	.32	.42	\$104.00
LRX-3MM-7	3MM	7.00	4.50	1.250	.32	.60	\$190.00
LRM-4MM-40-1	4MM	4.00	2.00	1.000	.36	.46	\$104.00
LRX-4MM-7	4MM	7.00	4.50	1.250	.36	.64	\$190.00
LRM-5MM-40-1	5MM	4.00	2.00	1.000	.40	.50	\$104.00
LRX-5MM-7	5MM	7.00	4.50	1.250	.40	.68	\$190.00
LRM-6MM-40-1	6MM	4.00	2.00	1.000	.44	.54	\$104.00
LRM-7MM-40-1	7MM	4.00	2.00	1.000	.48	.58	\$104.00
LRX-6MM-7	6MM	7.00	4.50	1.250	.49	.77	\$190.00
LRM-8MM-40-1	8MM	4.00	2.00	1.000	.52	.62	\$104.00
LRX-7MM-7	7MM	7.00	4.50	1.250	.53	.81	\$190.00
LRX-8MM-7	8MM	7.00	4.50	1.250	.57	.85	\$190.00
LRM-9MM-40-1	9MM	4.00	2.00	1.000	.61	.71	\$104.00
LRM-10MM-40-1	10MM	4.00	2.00	1.000	.65	.75	\$104.00
LRX-9MM-7	9MM	7.00	4.50	1.250	.73	1.00	\$190.00
LRM-11MM-40-1	11MM	4.00	2.00	1.000	.73	.83	\$104.00
LRX-10MM-7	10MM	7.00	4.50	1.250	.77	1.04	\$190.00
LRM-12MM-40-1	12MM	4.00	2.00	1.000	.80	.90	\$104.00
LRX-11MM-7	11MM	7.00	4.50	1.250	.81	1.08	\$190.00

LRX-12MM-7	12MM	7.00	4.50	1.250	.85	1.12	\$190.00
LRM-14MM-40-1	14MM	4.00	2.00	1.000	.88	.97	\$104.00
LRX-13MM-7	13MM	7.00	4.50	1.250	.89	1.23	\$190.00
LRX-14MM-7	14MM	7.00	4.50	1.250	.93	1.23	\$190.00
LRX-15MM-7	15MM	7.00	4.50	1.250	1.03	1.23	\$190.00
LRX-16MM-7	16MM	7.00	4.50	1.250	1.07	1.23	\$190.00
LRX-17MM-7	17MM	7.00	4,50	1.250	1.11	1.23	\$190.00
LRX-18MM-7	18MM	7.00	4.50	1.250	1.14	1.23	\$190.00
LRX-19MM-7	19MM	7.00	4.50	1.250	1.18	1.23	\$190.00
LRX-20MM-7	20MM	7.00	4.50	1.250	1.22	1.23	\$190.00

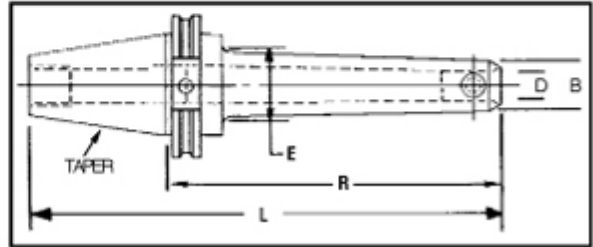
CAT-40 Metrics

COOLANT THROUGH DIN & MAHO KNOTCHES



- Hardened
- Precision Ground
- American Made

Precision Components CAT-40 tooling is designed to give maximum rigidity at extended lengths with metric I.D.'s ranging from 3mm - 32mm.



AVAILABLE UPON REQUEST

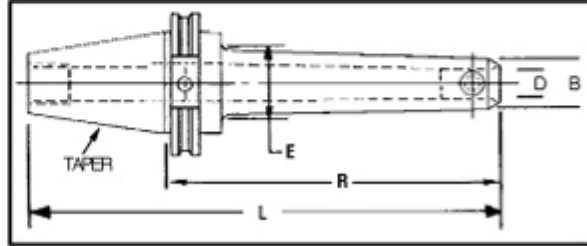
Catalog Number	D	L	R	Taper	B	E	List Price
CAT-40-3MM-4	3MM	6.68	4.00	CAT-40	.39	.56	\$213.00
CAT-40-3MM-6	3MM	8.68	6.00	CAT-40	.39	.70	\$259.00
CAT-40-4MM-4	4MM	6.68	4.00	CAT-40	.41	.59	\$213.00
CAT-40-4MM-6	4MM	8.68	6.00	CAT-40	.41	.73	\$259.00
CAT-40-5MM-4	5MM	6.68	4.00	CAT-40	.45	.63	\$213.00
CAT-40-5MM-6	5MM	8.68	6.00	CAT-40	.45	.77	\$259.00
CAT-40-6MM-4	6MM	6.68	4.00	CAT-40	.49	.67	\$213.00
CAT-40-6MM-6	6MM	8.68	6.00	CAT-40	.49	.81	\$259.00
CAT-40-7MM-4	7MM	6.68	4.00	CAT-40	.53	.71	\$213.00
CAT-40-7MM-6	7MM	8.68	6.00	CAT-40	.53	.85	\$259.00
CAT-40-8MM-4	8MM	6.68	4.00	CAT-40	.57	.74	\$213.00
CAT-40-8MM-6	8MM	8.68	6.00	CAT-40	.57	.88	\$259.00
CAT-40-9MM-4	9MM	6.68	4.00	CAT-40	.73	.90	\$213.00
CAT-40-9MM-6	9MM	8.68	6.00	CAT-40	.73	1.04	\$259.00
CAT-40-10MM-4	10MM	6.68	4.00	CAT-40	.77	.94	\$213.00
CAT-40-10MM-6	10MM	8.68	6.00	CAT-40	.77	1.08	\$259.00
CAT-40-11MM-4	11MM	6.68	4.00	CAT-40	.81	.98	\$213.00
CAT-40-11MM-6	11MM	8.68	6.00	CAT-40	.81	1.12	\$259.00
CAT-40-12MM-4	12MM	6.68	4.00	CAT-40	.85	1.02	\$213.00
CAT-40-12MM-6	12MM	8.68	6.00	CAT-40	.85	1.16	\$259.00
CAT-40-13MM-4	13MM	6.68	4.00	CAT-40	.89	1.058	\$213.00
CAT-40-13MM-6	13MM	8.68	6.00	CAT-40	.89	1.198	\$259.00

*CAT-40-14MM-4	14MM	6.68	4.00	CAT-40	.93	1.098	\$213.00
*CAT-40-14MM-6	14MM	8.68	6.00	CAT-40	.93	1.24	\$259.00
CAT-40-15MM-4	15MM	6.68	4.00	CAT-40	1.03	1.190	\$213.00
CAT-40-15MM-6	15MM	8.68	6.00	CAT-40	1.03	1.33	\$259.00
CAT-40-16MM-4	16MM	6.68	4.00	CAT-40	1.07	1.22	\$213.00
CAT-40-16MM-6	16MM	8.68	6.00	CAT-40	1.07	1.36	\$259.00
CAT-40-17MM-4	17MM	6.68	4.00	CAT-40	1.11	1.26	\$213.00
CAT-40-17MM-6	17MM	8.68	6.00	CAT-40	1.11	1.40	\$259.00
CAT-40-18MM-4	18MM	6.68	4.00	CAT-40	1.15	1.31	\$213.00
CAT-40-18MM-6	18MM	8.68	6.00	CAT-40	1.15	1.45	\$259.00
CAT-40-19MM-4	19MM	6.68	4.00	CAT-40	1.19	1.35	\$213.00
CAT-40-19MM-6	19MM	8.68	6.00	CAT-40	1.19	1.49	\$259.00
CAT-40-20MM-4	20MM	6.68	4.00	CAT-40	1.23	1.39	\$213.00
CAT-40-20MM-6	20MM	8.68	6.00	CAT-40	1.23	1.53	\$259.00
CAT-40-21MM-4	21MM	6.68	4.00	CAT-40	1.27	1.43	\$213.00
CAT-40-21MM-6	21MM	8.68	6.00	CAT-40	1.27	1.57	\$259.00
CAT-40-22MM-4	22MM	6.68	4.00	CAT-40	1.31	1.46	\$213.00
CAT-40-22MM-6	22MM	8.68	6.00	CAT-40	1.31	1.60	\$259.00
CAT-40-23MM-4	23MM	6.68	4.00	CAT-40	1.40	1.56	\$213.00
CAT-40-23MM-6	23MM	8.68	6.00	CAT-40	1.40	1.70	\$259.00
CAT-40-24MM-4	24MM	6.68	4.00	CAT-40	1.56	1.60	\$213.00
CAT-40-24MM-6	24MM	8.68	6.00	CAT-40	1.56	1.75	\$259.00
CAT-40-25MM-4	25MM	6.68	4.00	CAT-40	1.61	1.75	\$213.00
CAT-40-25MM-6	25MM	8.68	6.00	CAT-40	1.61	1.75	\$259.00
CAT-40-28MM-4	28MM	6.68	4.00	CAT-40	1.73	1.75	\$213.00
CAT-40-28MM-6	28MM	8.68	6.00	CAT-40	1.73	1.75	\$259.00
CAT-40-32MM-4	32MM	6.68	4.00	CAT-40	1.88	2.04	\$213.00
CAT-40-32MM-6	32MM	8.68	6.00	CAT-40	1.88	2.18	\$259.00



- Hardened
- Precision Ground
- American Made

Precision Components CAT-40 tooling is designed to give maximum rigidity at extended lengths with metric I.D.'s ranging from 3mm - 32mm.

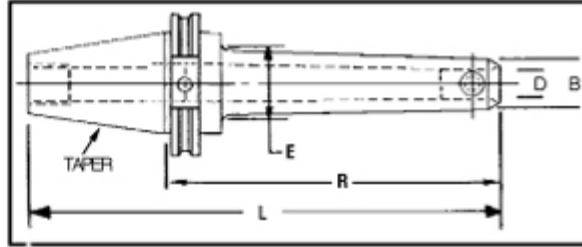


BT-40 Metrics



- Hardened
- Precision Ground
- American Made

Precision Components BT-40 tooling is designed to give maximum rigidity at extended lengths with metric I.D.'s ranging from 3mm - 32mm.



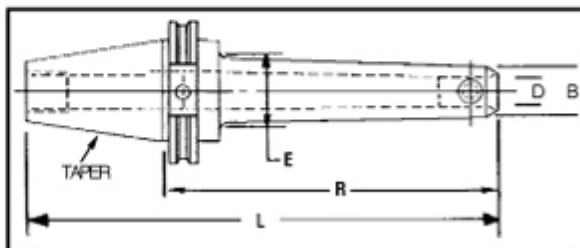
Catalog Number	D	L	R	Taper	B	E	List Price
BT-40-3MM-4	3MM	6.58	4.00	BT-40	.39	.55	\$213.00
BT-40-3MM-6	3MM	8.58	6.00	BT-40	.39	.69	\$259.00
BT-40-4MM-4	4MM	6.58	4.00	BT-40	.41	.58	\$213.00
BT-40-4MM-6	4MM	8.58	6.00	BT-40	.41	.72	\$259.00
BT-40-5MM-4	5MM	6.58	4.00	BT-40	.45	.62	\$213.00
BT-40-5MM-6	5MM	8.58	6.00	BT-40	.45	.76	\$259.00
BT-40-6MM-4	6MM	6.58	4.00	BT-40	.49	.66	\$213.00
BT-40-6MM-6	6MM	8.58	6.00	BT-40	.49	.80	\$259.00
BT-40-7MM-4	7MM	6.58	4.00	BT-40	.53	.70	\$213.00
BT-40-7MM-6	7MM	8.58	6.00	BT-40	.53	.84	\$259.00
BT-40-8MM-4	8MM	6.58	4.00	BT-40	.57	.73	\$213.00
BT-40-8MM-6	8MM	8.58	6.00	BT-40	.57	.87	\$259.00
BT-40-9MM-4	9MM	6.58	4.00	BT-40	.73	.89	\$213.00
BT-40-9MM-6	9MM	8.58	6.00	BT-40	.73	1.03	\$259.00
BT-40-10MM-4	10MM	6.58	4.00	BT-40	.77	.93	\$213.00
BT-40-10MM-6	10MM	8.58	6.00	BT-40	.77	1.07	\$259.00
BT-40-11MM-4	11MM	6.58	4.00	BT-40	.81	.97	\$213.00
BT-40-11MM-6	11MM	8.58	6.00	BT-40	.81	1.11	\$259.00
BT-40-12MM-4	12MM	6.58	4.00	BT-40	.85	1.01	\$213.00
BT-40-12MM-6	12MM	8.58	6.00	BT-40	.85	1.15	\$259.00
BT-40-13MM-4	13MM	6.58	4.00	BT-40	.89	1.05	\$213.00
BT-40-13MM-6	13MM	8.58	6.00	BT-40	.89	1.19	\$259.00
*BT-40-14MM-4	14MM	6.58	4.00	BT-40	.93	1.09	\$213.00

*BT-40-14MM-6	14MM	8.58	6.00	BT-40	.93	1.23	\$259.00
BT-40-15MM-4	15MM	6.58	4.00	BT-40	1.03	1.18	\$213.00
BT-40-15MM-6	15MM	8.58	6.00	BT-40	1.03	1.32	\$259.00
BT-40-16MM-4	16MM	6.58	4.00	BT-40	1.07	1.21	\$213.00
BT-40-16MM-6	16MM	8.58	6.00	BT-40	1.07	1.35	\$259.00
BT-40-17MM-4	17MM	6.58	4.00	BT-40	1.11	1.25	\$213.00
BT-40-17MM-6	17MM	8.58	6.00	BT-40	1.11	1.39	\$259.00
BT-40-18MM-4	18MM	6.58	4.00	BT-40	1.15	1.30	\$213.00
BT-40-18MM-6	18MM	8.58	6.00	BT-40	1.15	1.44	\$259.00
BT-40-19MM-4	19MM	6.58	4.00	BT-40	1.19	1.34	\$213.00
BT-40-19MM-6	19MM	8.58	6.00	BT-40	1.19	1.48	\$259.00
BT-40-20MM-4	20MM	6.58	4.00	BT-40	1.23	1.38	\$213.00
BT-40-20MM-6	20MM	8.58	6.00	BT-40	1.23	1.52	\$259.00
BT-40-21MM-4	21MM	6.58	4.00	BT-40	1.27	1.42	\$213.00
BT-40-21MM-6	21MM	8.58	6.00	BT-40	1.27	1.56	\$259.00
BT-40-22MM-4	22MM	6.58	4.00	BT-40	1.31	1.45	\$213.00
BT-40-22MM-6	22MM	8.58	6.00	BT-40	1.31	1.59	\$259.00
BT-40-23MM-4	23MM	6.58	4.00	BT-40	1.40	1.55	\$213.00
BT-40-23MM-6	23MM	8.58	6.00	BT-40	1.40	1.69	\$259.00
BT-40-24MM-4	24MM	6.58	4.00	BT-40	1.56	1.75	\$213.00
BT-40-24MM-6	24MM	8.58	6.00	BT-40	1.56	1.85	\$259.00
BT-40-25MM-4	25MM	6.58	4.00	BT-40	1.61	1.76	\$213.00
BT-40-25MM-6	25MM	8.58	6.00	BT-40	1.61	1.90	\$259.00
BT-40-32MM-4	32MM	6.58	4.00	BT-40	1.88	2.03	\$213.00
BT-40-32MM-6	32MM	8.58	6.00	BT-40	1.88	2.17	\$259.00



- Hardened
- Precision Ground
- American Made

Precision Components BT-40 tooling is designed to give maximum rigidity at extended lengths with metric I.D.'s ranging from 3mm - 32mm.



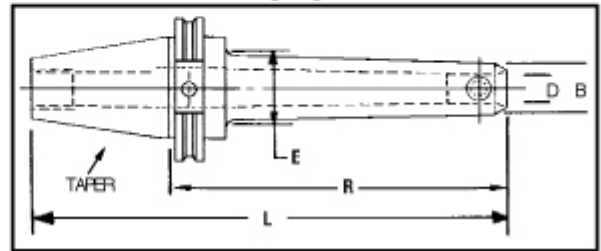
CAT-50 Metrics

COOLANT THROUGH DIN & MAHO KNOTCHES



- Hardened
- Precision Ground
- American Made

Precision Components CAT-50 tooling is designed to give maximum rigidity at extended lengths with metric I.D.'s ranging from 3mm - 32mm.



AVAILABLE UPON REQUEST

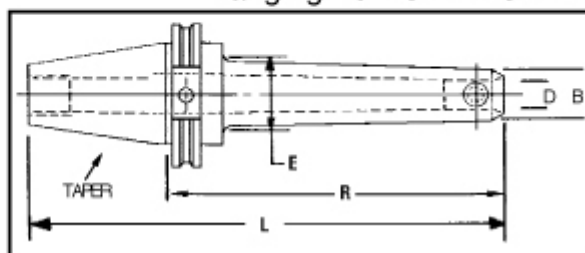
Catalog Number	D	L	R	Taper	B	E	List Price
CAT-50-3MM-6	3MM	10.00	6.00	CAT-50	.39	.69	\$390.00
CAT-50-3MM-9	3MM	13.00	9.00	CAT-50	.39	.90	\$450.00
CAT-50-4MM-6	4MM	10.00	6.00	CAT-50	.41	.73	\$390.00
CAT-50-4MM-9	4MM	13.00	9.00	CAT-50	.41	.94	\$450.00
CAT-50-5MM-6	5MM	10.00	6.00	CAT-50	.45	.77	\$390.00
CAT-50-5MM-9	5MM	13.00	9.00	CAT-50	.45	.98	\$450.00
CAT-50-6MM-9	6MM	13.00	9.00	CAT-50	.49	1.02	\$450.00
CAT-50-6MM-6	6MM	10.00	6.00	CAT-50	.49	.81	\$390.00
CAT-50-7MM-6	7MM	10.00	6.00	CAT-50	.53	.84	\$390.00
CAT-50-7MM-9	7MM	13.00	9.00	CAT-50	.53	1.05	\$450.00
CAT-50-8MM-6	8MM	10.00	6.00	CAT-50	.57	1.00	\$390.00
CAT-50-8MM-9	8MM	13.00	9.00	CAT-50	.57	1.21	\$450.00
CAT-50-9MM-9	9MM	13.00	9.00	CAT-50	.73	1.25	\$450.00
CAT-50-9MM-6	9MM	10.00	6.00	CAT-50	.73	1.04	\$390.00
CAT-50-10MM-6	10MM	10.00	6.00	CAT-50	.77	1.08	\$390.00
CAT-50-10MM-9	10MM	13.00	9.00	CAT-50	.77	1.29	\$450.00
CAT-50-11MM-6	11MM	10.00	6.00	CAT-50	.81	1.12	\$390.00
CAT-50-11MM-9	11MM	13.00	9.00	CAT-50	.81	1.33	\$450.00
CAT-50-12MM-9	12MM	13.00	9.00	CAT-50	.85	1.37	\$450.00
CAT-50-12MM-6	12MM	10.00	6.00	CAT-50	.85	1.16	\$390.00
CAT-50-13MM-6	13MM	10.00	6.00	CAT-50	.89	1.20	\$390.00
CAT-50-13MM-9	13MM	13.00	9.00	CAT-50	.89	1.41	\$450.00
CAT-50-14MM-6	14MM	10.00	6.00	CAT-50	.93	1.23	\$390.00

CAT-50-14MM-9	14MM	13.00	9.00	CAT-50	.93	1.44	\$450.00
CAT-50-15MM-9	15MM	13.00	9.00	CAT-50	1.03	1.54	\$450.00
CAT-50-15MM-6	15MM	10.00	6.00	CAT-50	1.03	1.33	\$390.00
CAT-50-16MM-6	16MM	10.00	6.00	CAT-50	1.07	1.37	\$390.00
CAT-50-16MM-9	16MM	13.00	9.00	CAT-50	1.07	1.58	\$450.00
CAT-50-17MM-6	17MM	10.00	6.00	CAT-50	1.11	1.41	\$390.00
CAT-50-17MM-9	17MM	13.00	9.00	CAT-50	1.11	1.62	\$450.00
CAT-50-18MM-9	18MM	13.00	9.00	CAT-50	1.15	1.66	\$450.00
CAT-50-18MM-6	18MM	10.00	6.00	CAT-50	1.15	1.45	\$390.00
CAT-50-19MM-6	19MM	10.00	6.00	CAT-50	1.19	1.49	\$390.00
CAT-50-19MM-9	19MM	13.00	9.00	CAT-50	1.19	1.70	\$450.00
CAT-50-20MM-6	20MM	10.00	6.00	CAT-50	1.23	1.53	\$390.00
CAT-50-20MM-9	20MM	13.00	9.00	CAT-50	1.23	1.74	\$450.00
CAT-50-21MM-9	21MM	13.00	9.00	CAT-50	1.27	1.78	\$450.00
CAT-50-21MM-6	21MM	10.00	6.00	CAT-50	1.27	1.57	\$390.00
CAT-50-22MM-6	22MM	10.00	6.00	CAT-50	1.31	1.61	\$390.00
CAT-50-22MM-9	22MM	13.00	9.00	CAT-50	1.31	1.82	\$450.00
CAT-50-23MM-6	23MM	10.00	6.00	CAT-50	1.40	1.65	\$390.00
CAT-50-23MM-9	23MM	13.00	9.00	CAT-50	1.40	1.86	\$450.00
CAT-50-24MM-9	24MM	13.00	9.00	CAT-50	1.56	2.07	\$450.00
CAT-50-24MM-6	24MM	10.00	6.00	CAT-50	1.56	1.86	\$390.00
CAT-50-25MM-6	25MM	10.00	6.00	CAT-50	1.61	1.91	\$390.00
CAT-50-25MM-9	25MM	13.00	9.00	CAT-50	1.61	2.12	\$450.00
CAT-50-28MM-6	28MM	10.00	6.00	CAT-50	1.73	2.02	\$390.00
CAT-50-28MM-9	28MM	13.00	9.00	CAT-50	1.73	2.23	\$450.00
CAT-50-32MM-6	32MM	10.00	6.00	CAT-50	1.88	2.18	\$390.00
CAT-50-32MM-9	32MM	13.00	9.00	CAT-50	1.88	2.39	\$450.00



- Hardened
- Precision Ground
- American Made

Precision Components CAT-50 tooling is designed to give maximum rigidity at extended lengths with metric I.D.'s ranging from 3mm - 32mm.



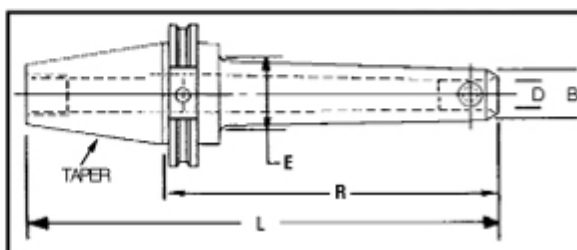
CAT-40 Metric DIN Shank Tap Drivers

COOLANT THROUGH DIN & MAHO KNOTCHES

AVAILABLE UPON REQUEST

Precision Components' Metric Din shank Tap Drivers eliminate the bushings and collets associated with most systems while providing maximum rigidity. It holds european style metric din shank taps. The slim design allows hard to reach areas to be tapped with minimum interference.

- Hardened
- Precision Ground
- American Made

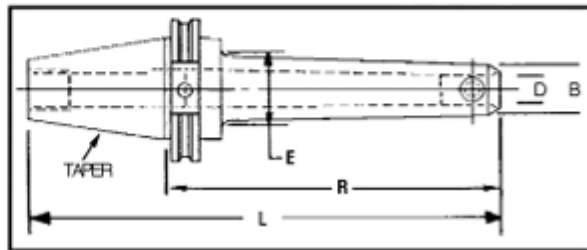


Catalog Number	D	L	R	Taper	B	E	List Price
CAT-40-M2-M2.5TD-4	.110	6.68	4.00	CAT-40	.49	.67	\$213.00
CAT-40-M2-M2.5TD-6	.110	8.68	6.00	CAT-40	.49	.81	\$242.00
CAT-40-M3TD-4	.137	6.68	4.00	CAT-40	.51	.69	\$213.00
CAT-40-M3TD-6	.137	8.68	6.00	CAT-40	.51	.83	\$242.00
CAT-40-M3.5TD-4	.157	6.68	4.00	CAT-40	.54	.72	\$213.00
CAT-40-M3.5TD-6	.157	8.68	6.00	CAT-40	.54	.86	\$242.00
CAT-40-M4TD-4	.177	6.68	4.00	CAT-40	.56	.74	\$213.00
CAT-40-M4TD-6	.177	8.68	6.00	CAT-40	.56	.88	\$242.00
CAT-40-M4.5-M6TD-4	.236	6.68	4.00	CAT-40	.62	.80	\$213.00
CAT-40-M4.5-M6TD-6	.236	8.68	6.00	CAT-40	.62	.94	\$242.00
CAT-40-M8TD-4	.314	6.68	4.00	CAT-40	.74	.91	\$213.00
CAT-40-M8TD-6	.314	8.68	6.00	CAT-40	.74	1.05	\$242.00
CAT-40-M10TD-4	.275/.393	6.68	4.00	CAT-40	.70/.81	.88/.99	\$213.00
CAT-40-M10TD-6	.275/.393	8.68	6.00	CAT-40	.70/.81	1.01/1.12	\$242.00
CAT-40-M12TD-4	.354	6.68	4.00	CAT-40	.78	.95	\$213.00
CAT-40-M12TD-6	.354	8.68	6.00	CAT-40	.78	1.09	\$242.00
CAT-40-M14TD-4	.433	6.68	4.00	CAT-40	.94	1.11	\$213.00
CAT-40-M14TD-6	.433	8.68	6.00	CAT-40	.94	1.25	\$242.00
CAT-40-M16TD-4	.472	6.68	4.00	CAT-40	.98	1.15	\$213.00

CAT-40-M16TD-6	.472	8.68	6.00	CAT-40	.98	1.29	\$242.00
CAT-40-M18TD-4	.551	6.68	4.00	CAT-40	1.06	1.23	\$213.00
CAT-40-M18TD-6	.551	8.68	6.00	CAT-40	1.06	1.37	\$242.00
CAT-40-M20TD-4	.630	6.68	4.00	CAT-40	1.14	1.31	\$213.00
CAT-40-M20TD-6	.630	8.68	6.00	CAT-40	1.14	1.45	\$242.00
CAT-40-M22-M24TD-4	.708	6.68	4.00	CAT-40	1.33	1.50	\$213.00
CAT-40-M22-M24TD-6	.708	8.68	6.00	CAT-40	1.33	1.64	\$242.00
CAT-40-M27TD-4	.787	6.68	4.00	CAT-40	1.54	1.70	\$213.00
CAT-40-M27TD-6	.787	8.68	6.00	CAT-40	1.54	1.84	\$242.00
CAT-40-M30TD-4	.866	6.68	4.00	CAT-40	1.62	1.75	\$213.00
CAT-40-M30TD-6	.866	8.68	6.0	CAT-40	1.62	1.92	\$242.00

Precision Components' Metric Din shank Tap Drivers eliminate the bushings and collets associated with most systems while providing maximum rigidity. It holds european style metric din shank taps. The slim design allows hard to reach areas to be tapped with minimum interference.

- Hardened
- Precision Ground
- American Made



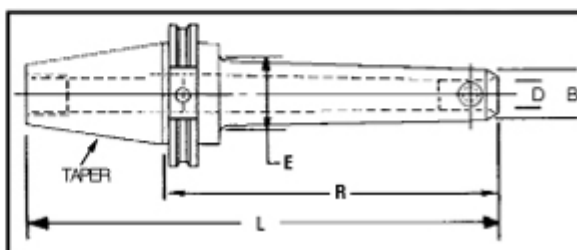
CAT-50 Metric DIN Shank Tap Drivers

COOLANT THROUGH DIN & MAHO KNOTCHES

AVAILABLE UPON REQUEST

Precision Components' Metric Din shank Tap Drivers eliminate the bushings and collets associated with most systems while providing maximum rigidity. It holds european style metric din shank taps. The slim design allows hard to reach areas to be tapped with minimum interference.

- Hardened
- Precision Ground
- American Made

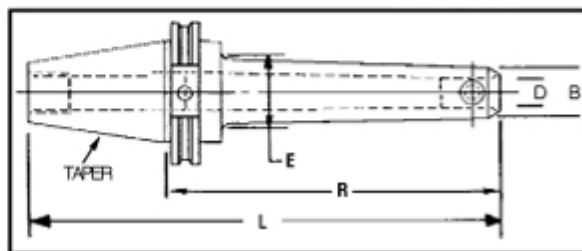


Catalog Number	D	L	R	Taper	B	E	List Price
CAT-50-M2-M2.5TD-6	.110	10.00	6.00	CAT-50	.49	.81	\$390.00
CAT-50-M2-M2.5TD-9	.110	13.00	9.00	CAT-50	.49	1.02	\$450.00
CAT-50-M3TD-6	.137	10.00	6.00	CAT-50	.51	.85	\$390.00
CAT-50-M3TD-9	.137	13.00	9.00	CAT-50	.51	1.04	\$450.00
CAT-50-M3.5TD-6	.157	10.00	6.00	CAT-50	.54	.86	\$390.00
CAT-50-M3.5TD-9	.157	13.00	9.00	CAT-50	.54	1.09	\$450.00
CAT-50-M4TD-6	.177	10.00	6.00	CAT-50	.56	.88	\$390.00
CAT-50-M4TD-9	.177	13.00	9.00	CAT-50	.56	1.09	\$450.00
CAT-50-M4.5TD-M6TD-6	.236	10.00	6.00	CAT-50	.62	.94	\$390.00
CAT-50-M4.5TD-M6TD-9	.236	13.00	9.00	CAT-50	.62	1.15	\$450.00
CAT-50-M8TD-6	.314	10.00	6.00	CAT-50	.74	1.05	\$390.00
CAT-50-M8TD-9	.314	13.00	9.00	CAT-50	.74	1.26	\$450.00
CAT-50-M10TD-6	.275/.393	10.00	6.00	CAT-50	.70/.81	1.01/1.12	\$390.00
CAT-50-M10TD-9	.275/.393	13.00	9.00	CAT-50	.70/81	1.22/1.33	\$450.00
CAT-50-M12TD-6	.354	10.00	6.00	CAT-50	.78	1.09	\$390.00
CAT-50-M12TD-9	.354	13.00	9.00	CAT-50	.78	1.30	\$450.00
CAT-50-M14TD-6	.433	10.00	6.00	CAT-50	.94	1.25	\$390.00
CAT-50-M14TD-9	.433	13.00	9.00	CAT-50	.94	1.46	\$450.00
CAT-50-M16TD-6	.472	10.00	6.00	CAT-50	.98	1.29	\$390.00

CAT-50-M16TD-9	.472	13.00	9.00	CAT-50	.98	1.50	\$450.00
CAT-50-M18TD-6	.551	10.00	6.00	CAT-50	1.06	1.37	\$390.00
CAT-50-M18TD-9	.551	13.00	9.00	CAT-50	1.06	1.58	\$450.00
CAT-50-M20TD-6	.630	10.00	6.00	CAT-50	1.14	1.45	\$390.00
CAT-50-M20TD-9	.630	13.00	9.00	CAT-50	1.14	1.66	\$450.00
CAT-50-M22-M24TD-6	.708	10.00	6.00	CAT-50	1.33	1.64	\$390.00
CAT-50-M22-M24TD-9	.708	13.00	9.00	CAT-50	1.33	1.85	\$450.00
CAT-50-M27TD-6	.787	10.00	6.00	CAT-50	1.54	1.84	\$390.00
CAT-50-M27TD-9	.787	13.00	9.00	CAT-50	1.54	2.05	\$450.00
CAT-50-M30TD-6	.866	10.00	6.00	CAT-50	1.62	1.92	\$390.00
CAT-50-M30TD-9	.866	13.00	9.00	CAT-50	1.62	2.13	\$450.00
CAT-50-M33TD-6	.984	10.00	6.00	CAT-50	1.98	2.27	\$390.00
CAT-50-M33TD-9	.984	13.00	9.00	CAT-50	1.98	2.48	\$450.00
CAT-50-M36TD-6	1.102	10.00	6.00	CAT-50	2.11	2.40	\$390.00
CAT-50-M36TD-9	1.102	13.00	9.00	CAT-50	2.11	2.61	\$450.00
CAT-50-M42TD-6	1.259	10.00	6.00	CAT-50	2.26	2.55	\$390.00
CAT-50-M42TD-9	1.259	13.00	9.00	CAT-50	2.26	2.75	\$450.00
CAT-50-M45-M48TD-6	1.417	10.00	6.00	CAT-50	2.45	2.75	\$390.00
CAT-50-M45-M48TD-9	1.417	13.00	9.00	CAT-50	2.45	2.94	\$450.00
CAT-50-M52TD-6	1.574	10.00	6.00	CAT-50	2.61	2.89	\$390.00
CAT-50-M52TD-9	1.574	13.00	9.00	CAT-50	2.61	3.11	\$450.00

Precision Components' Metric Din shank Tap Drivers eliminate the bushings and collets associated with most systems while providing maximum rigidity. It holds european style metric din shank taps. The slim design allows hard to reach areas to be tapped with minimum interference.

- Hardened
- Precision Ground
- American Made

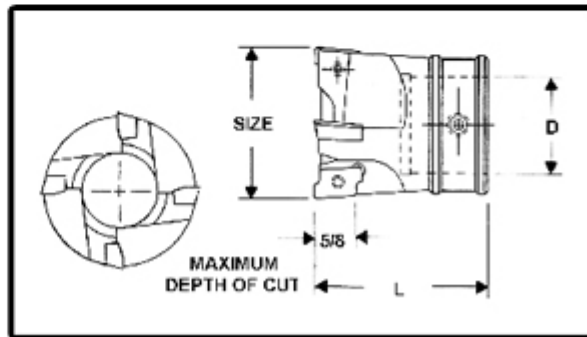


Hurricane™ Cutter Heads

Precision Components Hurricane™ Cutters are revolutionizing the metal removal industry. The Hurricane™, when used with PC long extension holders, proves extremely beneficial in mold, milling and other applications. The user benefits from longer tool life and superior insert geometry that allows lower horsepower machines to achieve a larger depth of cut. Multiple insert designs for cutting all ferrous materials and specialty inserts for non-ferrous.



- Hardened
- Precision Ground
- American Made



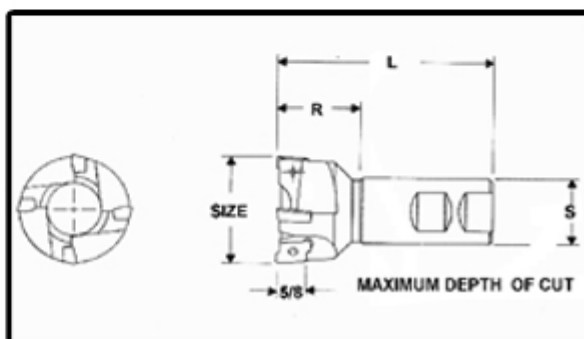
Catalog Number	Size	L	D	Insert	List Price
P.C.-TG-2.00	2.00	2.25	1.25	APKT-1705 (4)	\$225.00
P.C.-TG-2.25	2.25	2.25	1.25	APKT-1705 (4)	\$245.00
P.C.-TG-2.50	2.50	2.25	1.25	APKT-1705 (5)	\$265.00
P.C.-TG-2.75	2.75	2.25	1.25	APKT-1705 (5)	\$290.00

End Mill Hurricane™ Cutters

Precision Components Hurricane™ Cutters are revolutionizing the metal removal industry. The Hurricane™, when used with PC long extension holders, proves extremely beneficial in mold, milling and other applications. The user benefits from longer tool life and superior insert geometry that allows lower horsepower machines to achieve a larger depth of cut. Multiple insert designs for cutting all ferrous materials and specialty inserts for non-ferrous.



- Hardened
- Precision Ground
- American Made



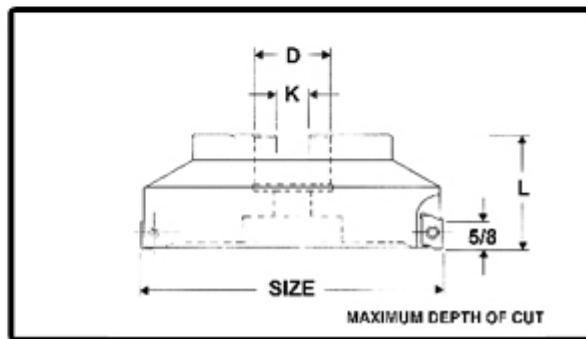
Catalog Number	Size	L	R	S	Insert	List Price
PCTG-LRX-1.00-4	1.00	4.00	2.00	1.000	APKT-1705 (2)	\$110.00
PCTG-LRX-1.25-4	1.25	4.00	1.50	1.250	APKT-1705 (2)	\$220.00
PCTG-LRX-2.00-4	2.00	4.00	1.50	1.250	APKT-1705 (4)	\$280.00

Face/Shell Mill Hurricane™ Cutters

Precision Components Hurricane™ Cutters are revolutionizing the metal removal industry. The Hurricane™, when used with PC long extension holders, proves extremely beneficial in mold, milling and other applications. The user benefits from longer tool life and superior insert geometry that allows lower horsepower machines to achieve a larger depth of cut. Multiple insert designs for cutting all ferrous materials and specialty inserts for non-ferrous.



- Hardened
- Precision Ground
- American Made



Catalog Number	Size	L	K	D	Insert	List Price
PCTG-FMX-2.00	2.00	1.75	.312	.750	APKT-1705 (4)	\$225.00
PCTG-FMX-4.00	4.00	2.25	.500	1.250	APKT-1705 (5)	\$450.00
PCTG-FMX-5.00	5.00	2.25	.625	1.500	APKT-1705 (6)	\$575.00
PCTG-FMX-6.00	6.00	2.25	.625	1.500	APKT-1705 (7)	\$695.00

Hurricane™ Series Inserts & Accessories

Precision Components Hurricane™ Cutters are revolutionizing the metal removal industry. The Hurricane™, when used with PC long extension holders, proves extremely beneficial in mold, milling and other applications. The user benefits from longer tool life and superior insert geometry that allows lower horsepower machines to achieve a larger depth of cut. Multiple insert designs for cutting all ferrous materials and specialty inserts for non-ferrous.



- Hardened
- Precision Ground
- American Made



Catalog Number	Description	Use	List Price
P.C.-832	Torque Screw	For use w/ all Hurricane & PC High Helix Cutters	\$3.90
HT-3824	Tapered Hi-Tork Set Screw	For use with all PC cutter heads	\$3.90
APKT-1705	Insert	For use with all Hurricane Cutters	\$P.O.R.

Cutter Heads

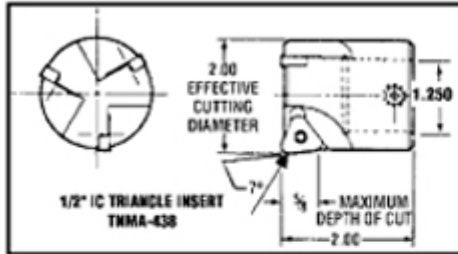
- Hardened
- Precision Ground
- American Made

Precision Components cutter heads are used on Precision Components Flange Mount CHX tool holders, on page 19, and tapered Cutter Head Extensions on page 20 - available in (5) styles.

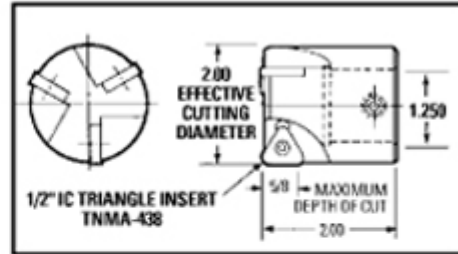


Catalog Number	Description	Size	User Carbide Insert	List Price
P.C. 207-7	7° Back Draft	2.00	TNMA-438	\$195.00
P.C. 200-T	0° Back Draft	2.00	TNMA-438	\$195.00
P.C. 222-R	Round Button Cutter	2.00	RNMA-64	\$195.00
RNMA-64B	Button Cutter Insert		RNMA-64B-T-14	\$P.O.R.
TNMA-438B	Triangle Cutter Inse		TNMA-438 T-14	\$P.O.R.
HT-3824	Tappered HI-Tork Set		For use w/all cutter heads	\$3.90
PCR-4	Clamp Screw		RNMA-64	\$3.90
PCT-5	Clamp Screw		TNMA-438	\$3.90

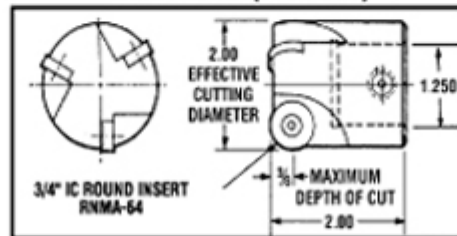
7° BACK DRAFT 2" DIAMETER (P.C. 207-T)



0° LEAD 2" DIAMETER (P.C. 200-T)

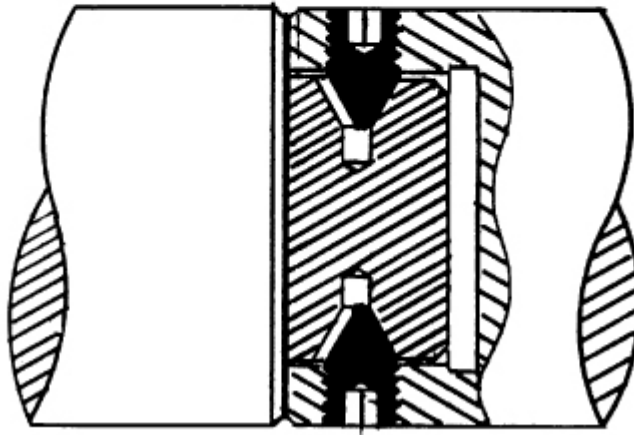


2" DIAMETER (P.C. 222-R)

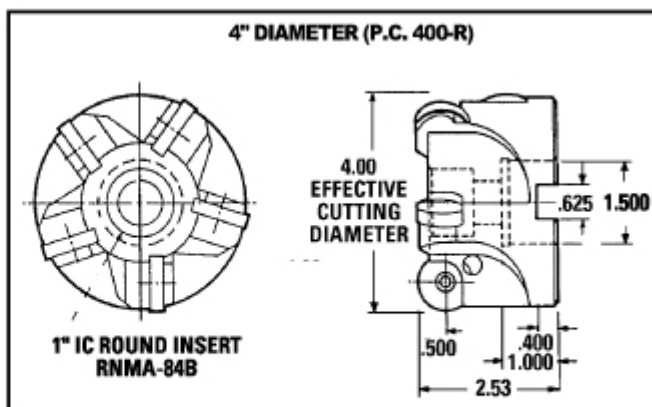


HI-TORK™ LOCKING SYSTEM

Precision Components' Hi-Tork™ cutter head locking system was designed to provide mold and die makers with a rigid replacable cutter head holder. The system utilizes two symetrically opposed tapered set screws that fasten into two offset dimpled ports. The force delivered by these set screws simultaneously draws and aligns the cutter head onto the 1.250" ground male pilot.



HI-Tork Cutter Heads



- Hardened
- Precision Ground
- American Made

Catalog Number	Description	Size	User Carbide Insert	List Price
P.C.400-R	0° Back Draft	4"	RNMA-84B	\$465.00
PCR-8	Clamp Screw		RNMA-84	5.85
RNMA-84B	Button Cutter Insert		RNMA-84-T-14	P.O.R.

Long Range Back Draft Cutters

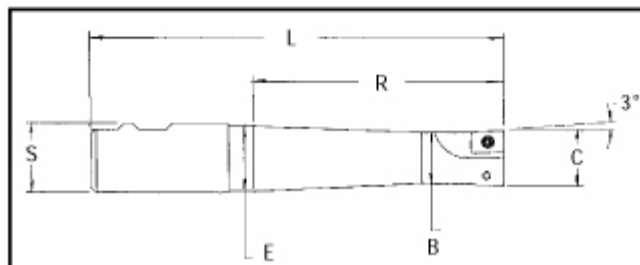


Precision Components' Long Reach Back Draft Cutters are available in (2) cutting diameters - 1.000" and 1.250".

These cutters come in a variety of lengths ranging from 2.5" up to 9.5". Finish milled after heat treat and ground to ensure perfect insert seat and concentricity. These high quality cutters use positive rake inserts that minimize deflections and reduce tool pressure at extended lengths. Primarily used for profile and contour milling, these indexable end mills also have numerous general machining applications.

NOTE: Cutters use NDCW 324 Insert.

- Hardened
- Precision Ground
- American Made



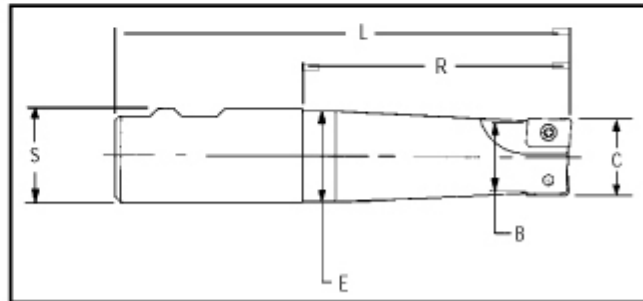
Catalog Number	C	L	R	S	B	E	List Price
LRBD-31-2.5-S	1.000	5.50	2.50	1.250	.94	.94	\$185.00
LRBD-31-4.0-S	1.000	7.00	4.00	1.250	.94	.94	\$190.00
LRBD-31-4.0-T	1.000	7.00	4.00	1.250	.93	1.14	\$190.00
LRBD-31-5.0-S	1.000	8.00	5.00	1.250	.94	.94	\$210.00
LRBD-31-5.0-T	1.000	8.00	5.00	1.250	.94	1.17	\$210.00
LRBD-31-6.0-T	1.000	9.00	6.00	1.250	.94	1.20	\$230.00
LRBD-31-8.0-T	1.000	11.00	8.00	1.250	.94	1.24	\$250.00
LRBD-32-3.5-S	1.250	6.00	3.50	1.250	1.19	1.19	\$210.00
LRBD-32-5.5-S	1.250	8.00	5.50	1.250	1.19	1.19	\$220.00
LRBD-32-7.5-S	1.250	10.00	7.50	1.250	1.19	1.19	\$240.00
LRBD-32-9.5-S	1.250	12.00	9.50	1.250	1.19	1.19	\$255.00

High Helix Back Draft Cutters



Similar in style to the LRBD End Mills, the LRHH takes a thicker and stronger insert. This new insert with its High Helix Design will maximize metal removal with minimum deflection. NOTE: Inserts are available from Precision Components in a variety of grades and tool nose radii.

- Hardened
- Precision Ground
- American Made



Catalog Number	C	L	R	S	B	E	List Price
LRHH-31-3.5-S	1.000	6.00	3.50	1.250	.96	.96	\$185.00
LRHH-31-3.5-T	1.000	6.00	3.50	1.250	.96	1.24	\$185.00
LRHH-31-5.5-S	1.000	8.00	5.50	1.250	.96	.96	\$210.00
LRHH-31-5.5-T	1.000	8.00	5.50	1.250	.96	1.24	\$210.00
LRHH-31-7.5-T	1.000	10.00	7.50	1.250	.96	1.24	\$250.00
LRHH-31-9.5-T	1.000	12.00	9.50	1.250	.96	1.24	\$260.00
LRHH-32-3.5-S	1.250	6.00	3.50	1.250	1.21	1.21	\$210.00
LRHH-32-5.5-S	1.250	8.00	5.50	1.250	1.21	1.21	\$220.00
LRHH-32-7.5-S	1.250	10.00	7.50	1.250	1.21	1.21	\$240.00
LRHH-32-9.5-S	1.250	12.00	9.50	1.250	1.21	1.21	\$255.00

Blanks

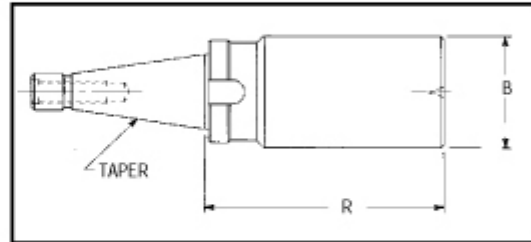


CAT-40/CAT-50

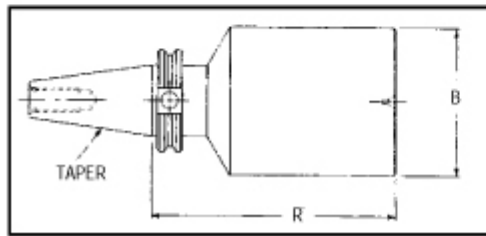
BT-40/BT-50

PRECISION COMPONENTS is proud to offer a complete line of blank tool holders.

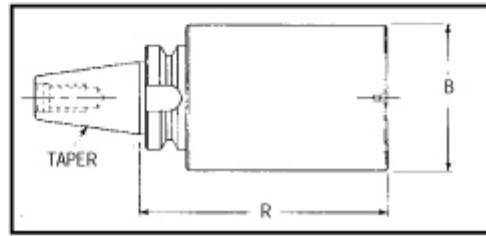
- Tapered Hardened to R/C 58-62
- Soft Body
- 100% Guaranteed
- American Made
- 6150 Material



NMTB-30/NMTB-50



CAT-40/CAT-50



BT-40/BT-50

>

Catalog Number	B	R	List Price
CAT-30-2-8 (BLANK)	2	8	\$202.00
CAT-30-2-12 (BLANK)	2	12	\$213.00
CAT-40-3-8 (BLANK)	3	8	\$230.00
CAT-40-3-12 (BLANK)	3	12	\$248.00
CAT-40-4-8 (BLANK)	4	8	\$276.00
BT-30-2-8 (BLANK)	2	8	\$202.00
BT-30-2-12 (BLANK)	2	12	\$213.00
BT-40-3-8 (BLANK)	3	8	\$230.00
BT-40-3-12 (BLANK)	3	12	\$248.00
BT-40-4-8 (BLANK)	4	8	\$276.00
BT-50-4-8 (BLANK)	4	8	\$264.00
BT-50-4-12 (BLANK)	4	12	\$285.00
CAT-50-4-8 (BLANK)	4	8	\$264.00

CAT-50-4-12 (BLANK)	4	12	\$285.00
CAT-50-5-8 (BLANK)	5	8	\$552.00
CAT-50-6-8 (BLANK)	6	8	\$660.00
NMTB-30-2-8 (BLANK)	2	8	\$202.00
NMTB-30-2-12 (BLANK)	2	12	\$213.00
NMTB-50-4-8 (BLANK)	4	8	\$318.00
NMTB-50-4-12 (BLANK)	4	12	\$348.00
BT-50-5-8 (BLANK)	5"	8"	\$552.00
BT-50-6-8 (BLANK)	6"	8"	\$660.00