

# TALON PRECISION TOOLING

## CNC Bushings

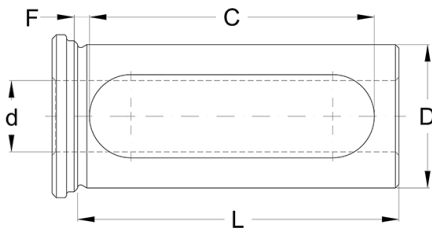


- ✓ Talon offers a variety of CNC Bushings: B, C, CV, DD, J and Z styles providing a durable, flexible, and precision-gripping option for drills, boring bars, reamers and other round shank tools
- ✓ Designed for use on all NC and CNC turning machines
- ✓ All bushings are heat-treated and precision-ground
- ✓ ISO 9001/2000 Certified
- ✓ ID concentricity against the OD is 0.0004" (or better)

### CV Bushings

*Bolt Slot Bushings - Metric Lengths*

- Designed with a long slot for direct tool clamping, allowing for positive alignment of the tool cutting edge
- Can be used with a variety of set screw configurations
- Metric lengths (see **C & L**)



Part Number	Description Type OD (D) x ID (d)	C	C (Metric)	F	L	L (Metric)
BBV1250250	CV Bushing (1-1/4" x 1/4")	1.97"	50 mm	0.1535"	2.36"	60 mm
BBV1250375	CV Bushing (1-1/4" x 3/8")	1.97"	50 mm	0.1535"	2.36"	60 mm
BBV1250500	CV Bushing (1-1/4" x 1/2")	1.97"	50 mm	0.1535"	2.36"	60 mm
BBV1250625	CV Bushing (1-1/4" x 5/8")	1.97"	50 mm	0.1535"	2.36"	60 mm
BBV1250750	CV Bushing (1-1/4" x 3/4")	1.97"	50 mm	0.1535"	2.36"	60 mm
BBV1250875	CV Bushing (1-1/4" x 7/8")	1.97"	50 mm	0.1535"	2.36"	60 mm
BBV1251000	CV Bushing (1-1/4" x 1")	1.97"	50 mm	0.1535"	2.36"	60 mm
* BBV125S	CV Bushing 7 Piece Set (1/4" - 1")	—	—	—	—	—
BBV1500250	CV Bushing (1-1/2" x 1/4")	2.36"	60 mm	0.1575"	2.76"	70 mm
BBV1500375	CV Bushing (1-1/2" x 3/8")	2.36"	60 mm	0.1575"	2.76"	70 mm
BBV1500500	CV Bushing (1-1/2" x 1/2")	2.36"	60 mm	0.1575"	2.76"	70 mm
BBV1500625	CV Bushing (1-1/2" x 5/8")	2.36"	60 mm	0.1575"	2.76"	70 mm
BBV1500750	CV Bushing (1-1/2" x 3/4")	2.36"	60 mm	0.1575"	2.76"	70 mm
BBV1500875	CV Bushing (1-1/2" x 7/8")	2.36"	60 mm	0.1575"	2.76"	70 mm
BBV1501000	CV Bushing (1-1/2" x 1")	2.36"	60 mm	0.1575"	2.76"	70 mm
BBV1501250	CV Bushing (1-1/2" x 1-1/4")	2.36"	60 mm	0.1575"	2.76"	70 mm
* BBV150S	CV Bushing 8 Piece Set (1/4 - 1-1/4")	—	—	—	—	—

\*Save 30% When Purchasing Sets



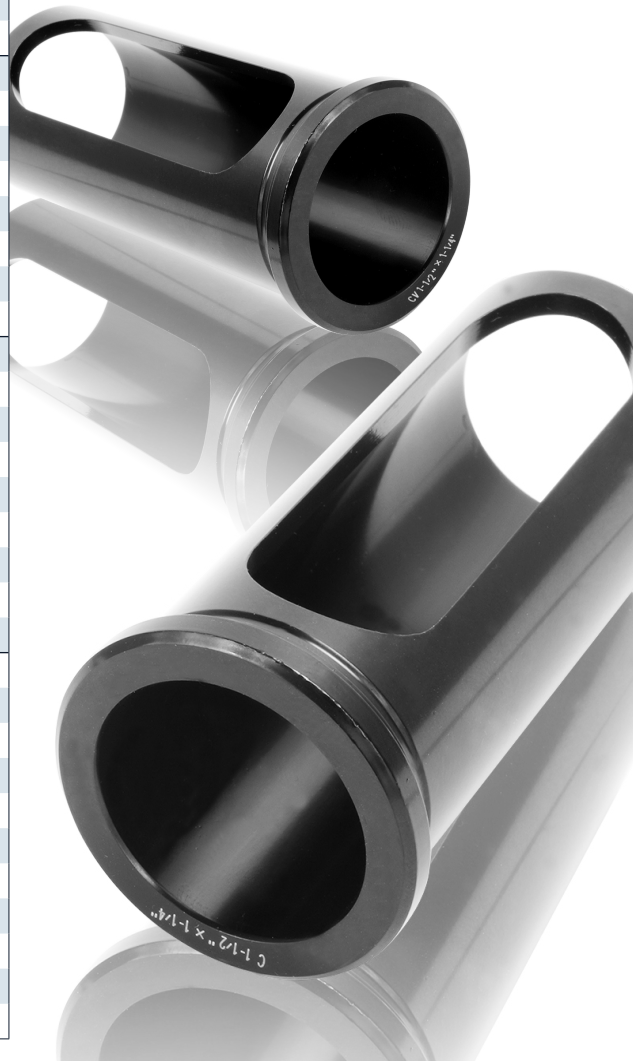
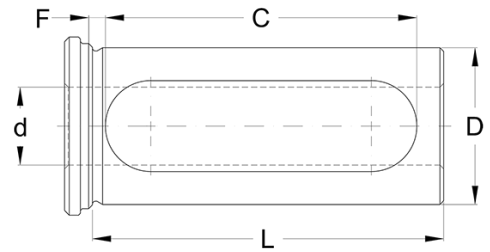
Part Number	Description Type OD (D) x ID (d)	C	F	L
BBC0750375	C Bushing (3/4" x 3/8")	1-1/2"	0.1693"	2"
BBC0750500	C Bushing (3/4" x 1/2")	1-1/2"	0.1693"	2"
* BBC075S	C Bushing 2 Piece Set (3/8" - 1/2")	—	—	—
BBC1000375	C Bushing (1" x 3/8")	2-3/8"	0.1319"	2-3/4"
BBC1000500	C Bushing (1" x 1/2")	2-3/8"	0.1319"	2-3/4"
BBC1000625	C Bushing (1" x 5/8")	2-3/8"	0.1319"	2-3/4"
BBC1000750	C Bushing (1" x 3/4")	2-3/8"	0.1319"	2-3/4"
* BBC100S	C Bushing 4 Piece Set (3/8" - 3/4")	—	—	—
BBC1250375	C Bushing (1-1/4" x 3/8")	2-3/4"	0.1496"	3-1/4"
BBC1250500	C Bushing (1-1/4" x 1/2")	2-3/4"	0.1496"	3-1/4"
BBC1250625	C Bushing (1-1/4" x 5/8")	2-3/4"	0.1496"	3-1/4"
BBC1250750	C Bushing (1-1/4" x 3/4")	2-3/4"	0.1496"	3-1/4"
BBC1250875	C Bushing (1-1/4" x 7/8")	2-3/4"	0.1496"	3-1/4"
BBC1251000	C Bushing (1-1/4" x 1")	2-3/4"	0.1496"	3-1/4"
* BBC125S	C Bushing 6 Piece Set (3/8" - 1")	—	—	—
BBC1500375	C Bushing (1-1/2" x 3/8")	3"	0.1260"	3-3/8"
BBC1500500	C Bushing (1-1/2" x 1/2")	3"	0.1260"	3-3/8"
BBC1500625	C Bushing (1-1/2" x 5/8")	3"	0.1260"	3-3/8"
BBC1500750	C Bushing (1-1/2" x 3/4")	3"	0.1260"	3-3/8"
BBC1500875	C Bushing (1-1/2" x 7/8")	3"	0.1260"	3-3/8"
BBC1501000	C Bushing (1-1/2" x 1")	3"	0.1260"	3-3/8"
BBC1501250	C Bushing (1-1/2" x 1-1/4")	3"	0.1260"	3-3/8"
* BBC150S	C Bushing 7 Piece Set (3/8" - 1-1/4")	—	—	—
BBC1750500	C Bushing (1-3/4" x 1/2")	3-1/8"	0.1260"	3-1/2"
BBC1750625	C Bushing (1-3/4" x 5/8")	3-1/8"	0.1260"	3-1/2"
BBC1750750	C Bushing (1-3/4" x 3/4")	3-1/8"	0.1260"	3-1/2"
BBC1750875	C Bushing (1-3/4" x 7/8")	3-1/8"	0.1260"	3-1/2"
BBC1751000	C Bushing (1-3/4" x 1")	3-1/8"	0.1260"	3-1/2"
BBC1751250	C Bushing (1-3/4" x 1-1/4")	3-1/8"	0.1260"	3-1/2"
BBC1751500	C Bushing (1-3/4" x 1-1/2")	3-1/8"	0.1260"	3-1/2"
* BBC175S	C Bushing 7 Piece Set (1/2" - 1-1/2")	—	—	—
BBC2000500	C Bushing (2" x 1/2")	3-5/8"	0.1319"	4"
BBC2000625	C Bushing (2" x 5/8")	3-5/8"	0.1319"	4"
BBC2000750	C Bushing (2" x 3/4")	3-5/8"	0.1319"	4"
BBC2000875	C Bushing (2" x 7/8")	3-5/8"	0.1319"	4"
BBC2001000	C Bushing (2" x 1")	3-5/8"	0.1319"	4"
BBC2001250	C Bushing (2" x 1-1/4")	3-5/8"	0.1319"	4"
BBC2001500	C Bushing (2" x 1-1/2")	3-5/8"	0.1319"	4"
BBC2001750	C Bushing (2" x 1-3/4")	3-5/8"	0.1319"	4"
* BBC200S	C Bushing 8 Piece Set (1/2" - 1-3/4")	—	—	—
BBC2500500	C Bushing (2-1/2" x 1/2")	4-1/8"	0.1457"	4-1/2"
BBC2500625	C Bushing (2-1/2" x 5/8")	4-1/8"	0.1457"	4-1/2"
BBC2500750	C Bushing (2-1/2" x 3/4")	4-1/8"	0.1457"	4-1/2"
BBC2500875	C Bushing (2-1/2" x 7/8")	4-1/8"	0.1457"	4-1/2"
BBC2501000	C Bushing (2-1/2" x 1")	4-1/8"	0.1457"	4-1/2"
BBC2501250	C Bushing (2-1/2" x 1-1/4")	4-1/8"	0.1457"	4-1/2"
BBC2501500	C Bushing (2-1/2" x 1-1/2")	4-1/8"	0.1457"	4-1/2"
BBC2501750	C Bushing (2-1/2" x 1-3/4")	4-1/8"	0.1457"	4-1/2"
BBC2502000	C Bushing (2-1/2" x 2")	4-1/8"	0.1457"	4-1/2"
BBC2502250	C Bushing (2-1/2" x 2-1/4")	4-1/8"	0.1457"	4-1/2"
* BBC250S	C Bushing 10 Piece Set (1/2" - 2-1/4")	—	—	—

\*Save 30% When Purchasing Sets

## C Bushings

### Bolt Slot Bushings

- Designed with a long slot for direct tool clamping, allowing for positive alignment of the tool cutting edge
- Can be used with a variety of set screw configurations



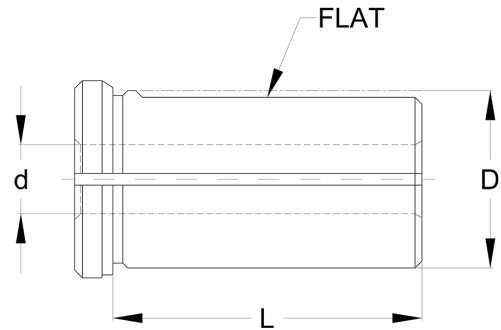
# B Bushings

## Split Bushings

- Designed with a split and a flat, ensuring strong gripping capacity of the tool shank



Part Number	Description Type OD (D) x ID (d)	L
BBB1000500	B Bushing (1" x 1/2")	1-3/4"
BBB1000625	B Bushing (1" x 5/8")	1-3/4"
BBB1000750	B Bushing (1" x 3/4")	1-3/4"
* BBB100S	B Bushing 3 Piece Set (1/2" - 3/4")	—
BBB1250375	B Bushing (1-1/4" x 3/8")	2-1/8"
BBB1250500	B Bushing (1-1/4" x 1/2")	2-1/8"
BBB1250625	B Bushing (1-1/4" x 5/8")	2-1/8"
BBB1250750	B Bushing (1-1/4" x 3/4")	2-1/8"
BBB1250875	B Bushing (1-1/4" x 7/8")	2-1/8"
BBB1251000	B Bushing (1-1/4" x 1")	2-1/8"
* BBB125S	B Bushing 6 Piece Set (3/8" - 1")	—
BBB1500375	B Bushing (1-1/2" x 3/8")	2-1/2"
BBB1500500	B Bushing (1-1/2" x 1/2")	2-1/2"
BBB1500625	B Bushing (1-1/2" x 5/8")	2-1/2"
BBB1500750	B Bushing (1-1/2" x 3/4")	2-1/2"
BBB1500875	B Bushing (1-1/2" x 7/8")	2-1/2"
BBB1501000	B Bushing (1-1/2" x 1")	2-1/2"
BBB1501250	B Bushing (1-1/2" x 1-1/4")	2-1/2"
* BBB150S	B Bushing 7 Piece Set (3/8" - 1-1/4")	—
BBB1750500	B Bushing (1-3/4" x 1/2")	3"
BBB1750625	B Bushing (1-3/4" x 5/8")	3"
BBB1750750	B Bushing (1-3/4" x 3/4")	3"
BBB1750875	B Bushing (1-3/4" x 7/8")	3"
BBB1751000	B Bushing (1-3/4" x 1")	3"
BBB1751250	B Bushing (1-3/4" x 1-1/4")	3"
BBB1751500	B Bushing (1-3/4" x 1-1/2")	3"
* BBB175S	B Bushing 7 Piece Set (1/2" - 1-1/2")	—
BBB2000500	B Bushing (2" x 1/2")	3-1/2"
BBB2000625	B Bushing (2" x 5/8")	3-1/2"
BBB2000750	B Bushing (2" x 3/4")	3-1/2"
BBB2000875	B Bushing (2" x 7/8")	3-1/2"
BBB2001000	B Bushing (2" x 1")	3-1/2"
BBB2001250	B Bushing (2" x 1-1/4")	3-1/2"
BBB2001500	B Bushing (2" x 1-1/2")	3-1/2"
BBB2001750	B Bushing (2" x 1-3/4")	3-1/2"
* BBB200S	B Bushing 8 Piece Set (1/2" - 1-3/4")	—
BBB2500500	B Bushing (2-1/2" x 1/2")	4"
BBB2500625	B Bushing (2-1/2" x 5/8")	4"
BBB2500750	B Bushing (2-1/2" x 3/4")	4"
BBB2500875	B Bushing (2-1/2" x 7/8")	4"
BBB2501000	B Bushing (2-1/2" x 1")	4"
BBB2501250	B Bushing (2-1/2" x 1-1/4")	4"
BBB2501500	B Bushing (2-1/2" x 1-1/2")	4"
BBB2501750	B Bushing (2-1/2" x 1-3/4")	4"
BBB2502000	B Bushing (2-1/2" x 2")	4"
BBB2502250	B Bushing (2-1/2" x 2-1/4")	4"
* BBB250S	B Bushing 10 Piece Set (1/2" - 2-1/4")	—



\*Save 30% When Purchasing Sets

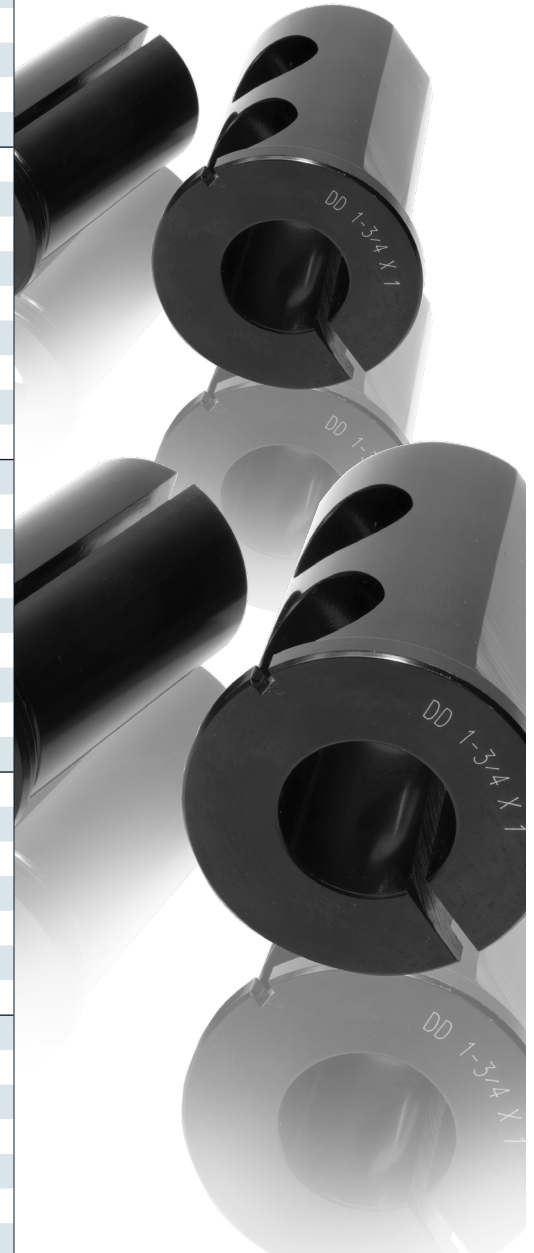
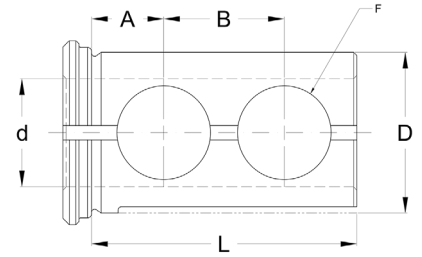
# DD Bushings

## Split & Screw Hole Bushings

- Combines "B" Style (split bushing) with "J" Style (with two set screw holes) allowing DD Bushings to be used as either "B" or "J"
- Each bushing has a split, a flat and either two or four set screw holes



Part Number	Description Type OD (D) x ID (d)	A	B	F	L	Screw Holes
BBD1500375	DD Bushing (1-1/2" x 3/8")	11/16	1-1/8"	7/8"	2-1/2"	2
BBD1500500	DD Bushing (1-1/2" x 1/2")	11/16"	1-1/8"	7/8"	2-1/2"	2
BBD1500625	DD Bushing (1-1/2" x 5/8")	11/16"	1-1/8"	7/8"	2-1/2"	2
BBD1500750	DD Bushing (1-1/2" x 3/4")	11/16"	1-1/8"	7/8"	2-1/2"	2
BBD1500875	DD Bushing (1-1/2" x 7/8")	11/16"	1-1/8"	7/8"	2-1/2"	2
BBD1501000	DD Bushing (1-1/2" x 1")	11/16"	1-1/8"	7/8"	2-1/2"	2
BBD1501250	DD Bushing (1-1/2" x 1-1/4")	11/16"	1-1/8"	7/8"	2-1/2"	2
* BBD150S	DD Bushing 7 Piece Set (3/8" - 1-1/4")	—	—	—	—	—
BBD1750500	DD Bushing (1-3/4" x 1/2")	3/4"	1-1/4"	7/8"	3"	2
BBD1750625	DD Bushing (1-3/4" x 5/8")	3/4"	1-1/4"	7/8"	3"	2
BBD1750750	DD Bushing (1-3/4" x 3/4")	3/4"	1-1/4"	7/8"	3"	2
BBD1750875	DD Bushing (1-3/4" x 7/8")	3/4"	1-1/4"	7/8"	3"	2
BBD1751000	DD Bushing (1-3/4" x 1")	3/4"	1-1/4"	7/8"	3"	2
BBD1751250	DD Bushing (1-3/4" x 1-1/4")	3/4"	1-1/4"	7/8"	3"	2
BBD1751500	DD Bushing (1-3/4" x 1-1/2")	3/4"	1-1/4"	7/8"	3"	2
* BBD175S	DD Bushing 7 Piece Set (1/2" - 1-1/2")	—	—	—	—	—
BBD2000500	DD Bushing (2" x 1/2")	3/4"	1-1/2"	1"	3-1/2"	2
BBD2000625	DD Bushing (2" x 5/8")	3/4"	1-1/2"	1"	3-1/2"	2
BBD2000750	DD Bushing (2" x 3/4")	3/4"	1-1/2"	1"	3-1/2"	2
BBD2000875	DD Bushing (2" x 7/8")	3/4"	1-1/2"	1"	3-1/2"	2
BBD2001000	DD Bushing (2" x 1")	3/4"	1-1/2"	1"	3-1/2"	2
BBD2001250	DD Bushing (2" x 1-1/4")	3/4"	1-1/2"	1"	3-1/2"	2
BBD2001500	DD Bushing (2" x 1-1/2")	3/4"	1-1/2"	1"	3-1/2"	2
BBD2001750	DD Bushing (2" x 1-3/4")	3/4"	1-1/2"	1"	3-1/2"	2
* BBD200S	DD Bushing 8 Piece Set (1/2" - 1-3/4")	—	—	—	—	—
BBD2500750	DD Bushing (2-1/2" x 3/4")	7/8"	1-3/4"	1-1/4"	4"	2
BBD2500875	DD Bushing (2-1/2" x 7/8")	7/8"	1-3/4"	1-1/4"	4"	2
BBD2501000	DD Bushing (2-1/2" x 1")	7/8"	1-3/4"	1-1/4"	4"	2
BBD2501250	DD Bushing (2-1/2" x 1-1/4")	7/8"	1-3/4"	1-1/4"	4"	2
BBD2501500	DD Bushing (2-1/2" x 1-1/2")	7/8"	1-3/4"	1-1/4"	4"	2
BBD2501750	DD Bushing (2-1/2" x 1-3/4")	7/8"	1-3/4"	1-1/4"	4"	2
BBD2502000	DD Bushing (2-1/2" x 2")	7/8"	1-3/4"	1-1/4"	4"	2
BBD2502250	DD Bushing (2-1/2" x 2-1/4")	7/8"	1-3/4"	1-1/4"	4"	2
* BBD250S	DD Bushing 8 Piece Set (3/4" - 2-1/4")	—	—	—	—	—
BBD3001000	DD Bushing (3" x 1")	1"	2"	1-1/4"	4-1/2"	4
BBD3001250	DD Bushing (3" x 1-1/4")	1"	2"	1-1/4"	4-1/2"	4
BBD3001500	DD Bushing (3" x 1-1/2")	1"	2"	1-1/4"	4-1/2"	4
BBD3001750	DD Bushing (3" x 1-3/4")	1"	2"	1-1/4"	4-1/2"	4
BBD3002000	DD Bushing (3" x 2")	1"	2"	1-1/4"	4-1/2"	4
BBD3002250	DD Bushing (3" x 2-1/4")	1"	2"	1-1/4"	4-1/2"	4
* BBD300S	DD Bushing 6 Piece Set (1" - 2-1/4")	—	—	—	—	—
BBD3501500	DD Bushing (3-1/2" x 1-1/2")	1-1/4"	2-1/2"	1-1/4"	5-1/4"	4
BBD3501750	DD Bushing (3-1/2" x 1-3/4")	1-1/4"	2-1/2"	1-1/4"	5-1/4"	4
BBD3502000	DD Bushing (3-1/2" x 2")	1-1/4"	2-1/2"	1-1/4"	5-1/4"	4
BBD3502250	DD Bushing (3-1/2" x 2-1/4")	1-1/4"	2-1/2"	1-1/4"	5-1/4"	4
BBD3502500	DD Bushing (3-1/2" x 2-1/2")	1-1/4"	2-1/2"	1-1/4"	5-1/4"	4
BBD3503000	DD Bushing (3-1/2" x 3")	1-1/4"	2-1/2"	1-1/4"	5-1/4"	4
* BBD350S	DD Bushing 6 Piece Set (1-1/2" - 3")	—	—	—	—	—



\*Save 30% When Purchasing Sets

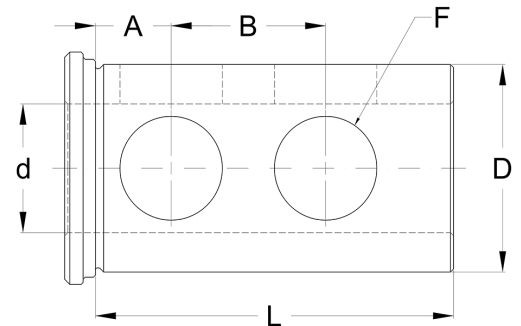
# J Bushings

## Screw Hole Bushings

- Designed with two set screw clearance holes for direct tool clamping, allowing for positive alignment of the tool cutting edge



Part Number	Description Type OD (D) x ID (d)	A	B	F	L
BBJ1000500	J Bushing (1" x 1/2")	7/16"	7/8"	5/8"	1-3/4"
BBJ1000625	J Bushing (1" x 5/8")	7/16"	7/8"	5/8"	1-3/4"
BBJ1000750	J Bushing (1" x 3/4")	7/16"	7/8"	5/8"	1-3/4"
* BBJ100S	J Bushing 3 Piece Set (1/2" - 3/4")	—	—	—	—
BBJ1250375	J Bushing (1-1/4" x 3/8")	5/8"	1"	3/4"	2-1/8"
BBJ1250500	J Bushing (1-1/4" x 1/2")	5/8"	1"	3/4"	2-1/8"
BBJ1250625	J Bushing (1-1/4" x 5/8")	5/8"	1"	3/4"	2-1/8"
BBJ1250750	J Bushing (1-1/4" x 3/4")	5/8"	1"	3/4"	2-1/8"
BBJ1250875	J Bushing (1-1/4" x 7/8")	5/8"	1"	3/4"	2-1/8"
BBJ1251000	J Bushing (1-1/4" x 1")	5/8"	1"	3/4"	2-1/8"
* BBJ125S	J Bushing 6 Piece Set (3/8" - 1")	—	—	—	—
BBJ1500375	J Bushing (1-1/2" x 3/8")	11/16"	1-1/8"	7/8"	2-1/2"
BBJ1500500	J Bushing (1-1/2" x 1/2")	11/16"	1-1/8"	7/8"	2-1/2"
BBJ1500625	J Bushing (1-1/2" x 5/8")	11/16"	1-1/8"	7/8"	2-1/2"
BBJ1500750	J Bushing (1-1/2" x 3/4")	11/16"	1-1/8"	7/8"	2-1/2"
BBJ1500875	J Bushing (1-1/2" x 7/8")	11/16"	1-1/8"	7/8"	2-1/2"
BBJ1501000	J Bushing (1-1/2" x 1")	11/16"	1-1/8"	7/8"	2-1/2"
BBJ1501250	J Bushing (1-1/2" x 1-1/4")	11/16"	1-1/8"	7/8"	2-1/2"
* BBJ150S	J Bushing 7 Piece Set (3/8" - 1-1/4")	—	—	—	—
BBJ1750500	J Bushing (1-3/4" x 1/2")	3/4"	1-1/4"	7/8"	3"
BBJ1750625	J Bushing (1-3/4" x 5/8")	3/4"	1-1/4"	7/8"	3"
BBJ1750750	J Bushing (1-3/4" x 3/4")	3/4"	1-1/4"	7/8"	3"
BBJ1750875	J Bushing (1-3/4" x 7/8")	3/4"	1-1/4"	7/8"	3"
BBJ1751000	J Bushing (1-3/4" x 1")	3/4"	1-1/4"	7/8"	3"
BBJ1751250	J Bushing (1-3/4" x 1-1/4")	3/4"	1-1/4"	7/8"	3"
BBJ1751500	J Bushing (1-3/4" x 1-1/2")	3/4"	1-1/4"	7/8"	3"
* BBJ175S	J Bushing 7 Piece Set (1/2" - 1-1/2")	—	—	—	—
BBJ2000500	J Bushing (2" x 1/2")	3/4"	1-1/2"	1"	3-1/2"
BBJ2000625	J Bushing (2" x 5/8")	3/4"	1-1/2"	1"	3-1/2"
BBJ2000750	J Bushing (2" x 3/4")	3/4"	1-1/2"	1"	3-1/2"
BBJ2000875	J Bushing (2" x 7/8")	3/4"	1-1/2"	1"	3-1/2"
BBJ2001000	J Bushing (2" x 1")	3/4"	1-1/2"	1"	3-1/2"
BBJ2001250	J Bushing (2" x 1-1/4")	3/4"	1-1/2"	1"	3-1/2"
BBJ2001500	J Bushing (2" x 1-1/2")	3/4"	1-1/2"	1"	3-1/2"
BBJ2001750	J Bushing (2" x 1-3/4")	3/4"	1-1/2"	1"	3-1/2"
* BBJ200S	J Bushing 8 Piece Set (1/2" - 1-3/4")	—	—	—	—
BBJ2500500	J Bushing (2-1/2" x 1/2")	7/8"	1-3/4"	1-1/4"	4"
BBJ2500625	J Bushing (2-1/2" x 5/8")	7/8"	1-3/4"	1-1/4"	4"
BBJ2500750	J Bushing (2-1/2" x 3/4")	7/8"	1-3/4"	1-1/4"	4"
BBJ2500875	J Bushing (2-1/2" x 7/8")	7/8"	1-3/4"	1-1/4"	4"
BBJ2501000	J Bushing (2-1/2" x 1")	7/8"	1-3/4"	1-1/4"	4"
BBJ2501250	J Bushing (2-1/2" x 1-1/4")	7/8"	1-3/4"	1-1/4"	4"
BBJ2501500	J Bushing (2-1/2" x 1-1/2")	7/8"	1-3/4"	1-1/4"	4"
BBJ2501750	J Bushing (2-1/2" x 1-3/4")	7/8"	1-3/4"	1-1/4"	4"
BBJ2502000	J Bushing (2-1/2" x 2")	7/8"	1-3/4"	1-1/4"	4"
BBJ2502250	J Bushing (2-1/2" x 2-1/4")	7/8"	1-3/4"	1-1/4"	4"
* BBJ250S	J Bushing 10 Piece Set (1/2" - 2-1/4")	—	—	—	—

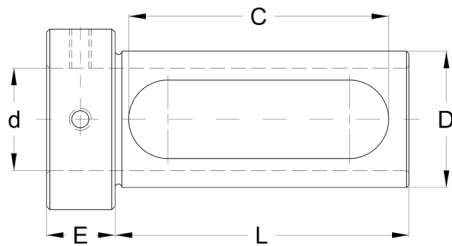


\*Save 30% When Purchasing Sets

## Z Bushings

### Bolt Slot & Screw Hole (Head) Bushings

- Designed with a long slot and two set screws in the bushing head
- Provides improved rigidity and reduces chatter



Part Number	Description Type OD (D) x ID (d)	C	E	L
BBZ1250375	Z Bushing (1-1/4" x 3/8")	2-5/8"	5/8"	3"
BBZ1250500	Z Bushing (1-1/4" x 1/2")	2-5/8"	5/8"	3"
BBZ1250625	Z Bushing (1-1/4" x 5/8")	2-5/8"	5/8"	3"
BBZ1250750	Z Bushing (1-1/4" x 3/4")	2-5/8"	5/8"	3"
BBZ1250875	Z Bushing (1-1/4" x 7/8")	2-5/8"	5/8"	3"
BBZ1251000	Z Bushing (1-1/4" x 1")	2-5/8"	5/8"	3"
* BBZ125S	Z Bushing 6 Piece Set (3/8" - 1")	—	—	—
BBZ1500375	Z Bushing (1-1/2" x 3/8")	2-7/8"	3/4"	3-1/4"
BBZ1500500	Z Bushing (1-1/2" x 1/2")	2-7/8"	3/4"	3-1/4"
BBZ1500625	Z Bushing (1-1/2" x 5/8")	2-7/8"	3/4"	3-1/4"
BBZ1500750	Z Bushing (1-1/2" x 3/4")	2-7/8"	3/4"	3-1/4"
BBZ1500875	Z Bushing (1-1/2" x 7/8")	2-7/8"	3/4"	3-1/4"
BBZ1501000	Z Bushing (1-1/2" x 1")	2-7/8"	3/4"	3-1/4"
BBZ1501250	Z Bushing (1-1/2" x 1-1/4")	2-7/8"	3/4"	3-1/4"
* BBZ150S	Z Bushing 7 Piece Set (3/8" - 1-1/4")	—	—	—
BBZ1750500	Z Bushing (1-3/4" x 1/2")	3-1/8"	3/4"	3-1/4"
BBZ1750625	Z Bushing (1-3/4" x 5/8")	3-1/8"	3/4"	3-1/4"
BBZ1750750	Z Bushing (1-3/4" x 3/4")	3-1/8"	3/4"	3-1/4"
BBZ1750875	Z Bushing (1-3/4" x 7/8")	3-1/8"	3/4"	3-1/4"
BBZ1751000	Z Bushing (1-3/4" x 1")	3-1/8"	3/4"	3-1/4"
BBZ1751250	Z Bushing (1-3/4" x 1-1/4")	3-1/8"	3/4"	3-1/4"
* BBZ175S	Z Bushing 6 Piece Set (1/2" - 1-1/4")	—	—	—
BBZ2000500	Z Bushing (2" x 1/2")	3-1/2"	3/4"	3-3/4"
BBZ2000750	Z Bushing (2" x 3/4")	3-1/2"	3/4"	3-3/4"
BBZ2000875	Z Bushing (2" x 7/8")	3-1/2"	3/4"	3-3/4"
BBZ2001000	Z Bushing (2" x 1")	3-1/2"	3/4"	3-3/4"
BBZ2001250	Z Bushing (2" x 1-1/4")	3-1/2"	3/4"	3-3/4"
BBZ2001500	Z Bushing (2" x 1-1/2")	3-1/2"	3/4"	3-3/4"
* BBZ200S	Z Bushing 6 Piece Set (1/2" - 1-1/2")	—	—	—

\*Save When Purchasing Sets