

Introducing

NEW

MicrOscope Toolholders without Internal Coolant Thru

Microscope MHR Toolholders with Round Shanks for Internal Machining Applications

Features and Benefits:

- Cost-effective MHR holders for the entire micrOscope range of tools (shank dia. 4-7mm)
- Holders include double-sided and single-sided mounting options
- Suitable for Swiss-type machines
- Shanks are offered in both metric and inch sizes




Standard Round
Holders



Standard Double-Sided
Round Holders

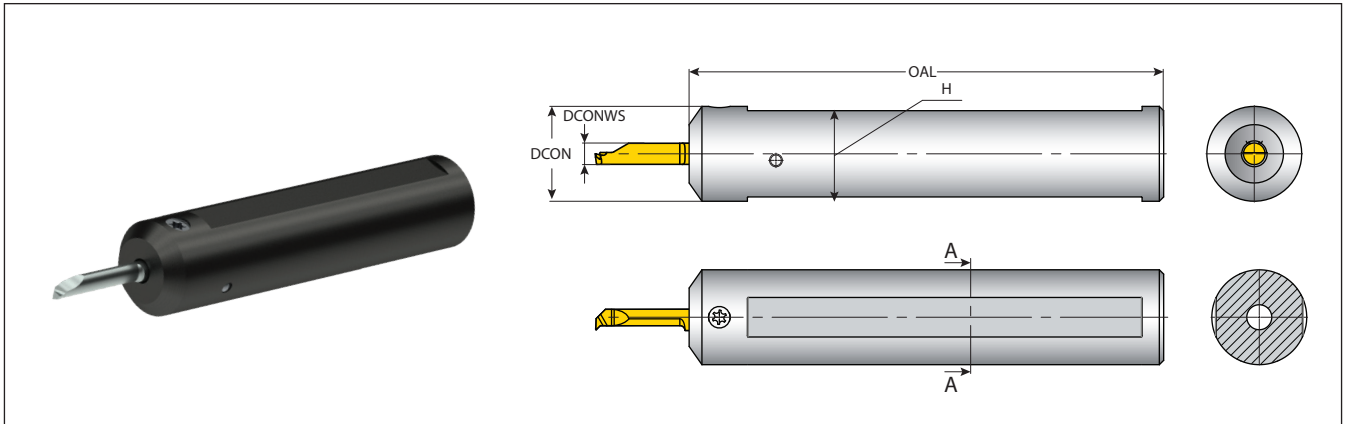
Please contact me directly with specific questions and requests.
For additional updates and news visit the VARGUS website: www.vargus.com


Shay Avrahami
Groovex Product Manager

Scroll down for complete details 

Standard Round Holders

microscope

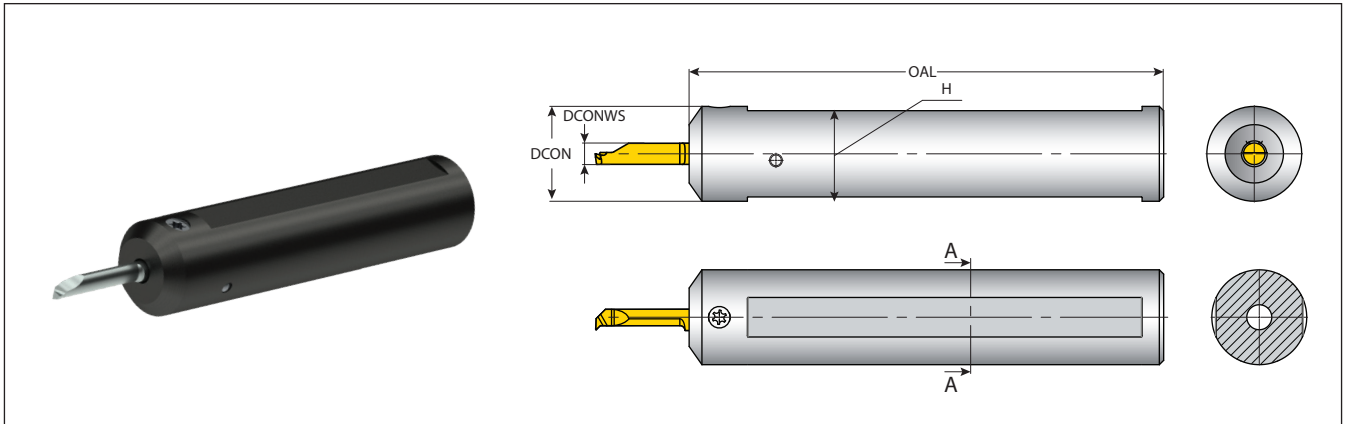


Metric Holders

ISO 13399	DCONWS	Metric	DCON	H	OAL
VARGUS	<i>d</i>		<i>D</i>	<i>H</i>	<i>L</i>
	3	MHR12-3-2F	12	10.0	83.5
	3	MHR16-3-2F	16	14.0	83.5
	4	MHR16-4-2F	16	14.0	83.5
	5	MHR16-5-2F	16	14.0	83.5
	3	MHR20-3-2F	20	18.8	83.5
	4	MHR20-4-2F	20	18.8	83.5
	5	MHR20-5-2F	20	18.8	83.5
	6	MHR20-6-2F	20	18.8	83.5
	3	MHR22-3-2F	22	20.0	110
	4	MHR22-4-2F	22	20.0	110
	5	MHR22-5-2F	22	20.0	110
	6	MHR22-6-2F	22	20.0	110
	7	MHR22-7-2F	22	20.0	110
	3	MHR25-3-2F	25	23.0	110
	4	MHR25-4-2F	25	23.0	110
	5	MHR25-5-2F	25	23.0	110
	6	MHR25-6-2F	25	23.0	110
	7	MHR25-7-2F	25	23.0	110

Standard Round Holders

microscope

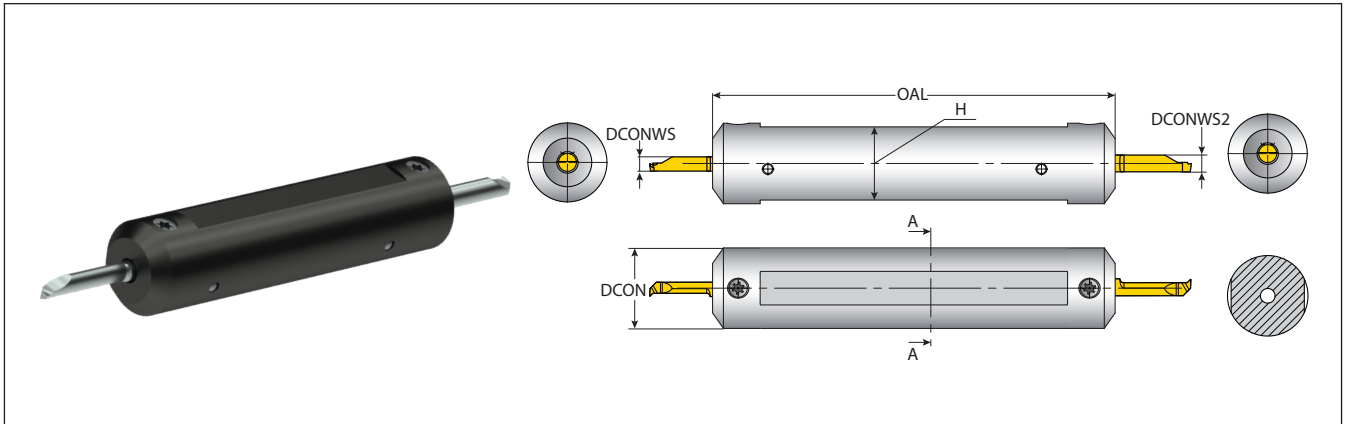


Inch Holders

ISO 13399	DCONWS	Inch	DCON	H	OAL
VARGUS	<i>d</i>		<i>D</i>	<i>H</i>	<i>L</i>
	3	MHR0625-3-2F	.625	.55	3.29
	4	MHR0625-4-2F	.625	.55	3.29
	5	MHR0625-5-2F	.625	.55	3.29
	3	MHR0750-3-2F	.75	.70	3.29
	4	MHR0750-4-2F	.75	.70	3.29
	5	MHR0750-5-2F	.75	.70	3.29
	6	MHR0750-6-2F	.75	.70	3.29
	7	MHR0750-7-2F	.75	.70	3.29
	3	MHR1000-3-2F	1.00	.91	4.33
	4	MHR1000-4-2F	1.00	.91	4.33
	5	MHR1000-5-2F	1.00	.91	4.33
	6	MHR1000-6-2F	1.00	.91	4.33
	7	MHR1000-7-2F	1.00	.91	4.33

Standard Double-Sided Round Holders

microscope

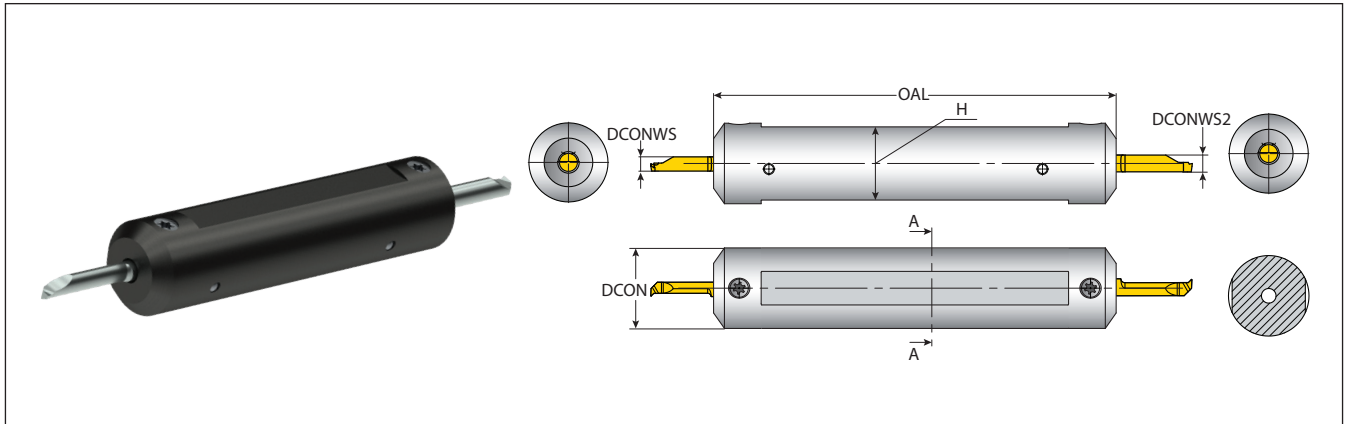


Metric Holders

ISO 13399	DCONWS	DCONWS2	Metric	DCON	H	OAL
VARGUS	<i>d</i>	<i>d2</i>		<i>D</i>	<i>H</i>	<i>L</i>
	3	4	MHR16-3-4-2F	16	14.0	83.5
	4	5	MHR16-4-5-2F	16	14.0	83.5
	3	4	MHR20-3-4-2F	20	18.8	83.5
	4	5	MHR20-4-5-2F	20	18.8	83.5
	5	6	MHR20-5-6-2F	20	18.8	8.5
	6	7	MHR20-6-7-2F	20	18.8	83.5
	3	4	MHR22-3-4-2F	22	20.0	110
	4	5	MHR22-4-5-2F	22	20.0	110
	5	6	MHR22-5-6-2F	22	20.0	110
	6	7	MHR22-6-7-2F	22	20.0	110
	3	4	MHR25-3-4-2F	25	23.0	110
	4	5	MHR25-4-5-2F	25	23.0	110
	5	6	MHR25-5-6-2F	25	23.0	110
	6	7	MHR25-6-7-2F	25	23.0	110

Standard Double-Sided Round Holders

microscope



Inch Holders

ISO 13399	DCONWS	DCONWS2	Inch	DCON	H	OAL
VARGUS	<i>d</i>	<i>d2</i>		<i>D</i>	<i>H</i>	<i>L</i>
	3	4	MHR0500-3-4-2F	.50	.39	3.29
	3	4	MHR0625-3-4-2F	.625	.55	3.29
	4	5	MHR0625-4-5-2F	.625	.55	3.29
	3	4	MHR0750-3-4-2F	.75	.70	3.29
	4	5	MHR0750-4-5-2F	.75	.70	3.29
	5	6	MHR0750-5-6-2F	.75	.70	3.29
	6	7	MHR0750-6-7-2F	.75	.70	3.29
	3	4	MHR1000-3-4-2F	1.00	.91	4.33
	4	5	MHR1000-4-5-2F	1.00	.91	4.33
	5	6	MHR1000-5-6-2F	1.00	.91	4.33
	6	7	MHR1000-6-7-2F	1.00	.91	4.33



**COMPLETE
METALWORKING
SOLUTIONS**

(800) 991-4225

www.ahbinc.com

ISO Certified

customerservice@ahbinc.com