

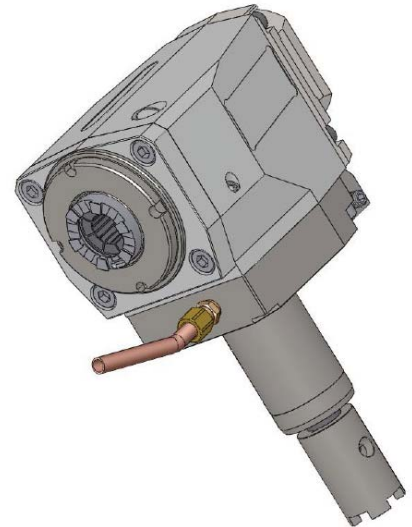
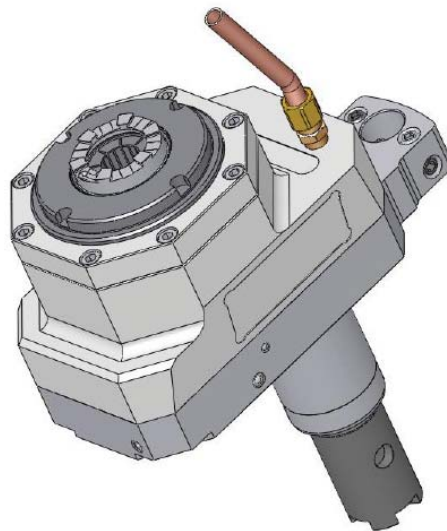
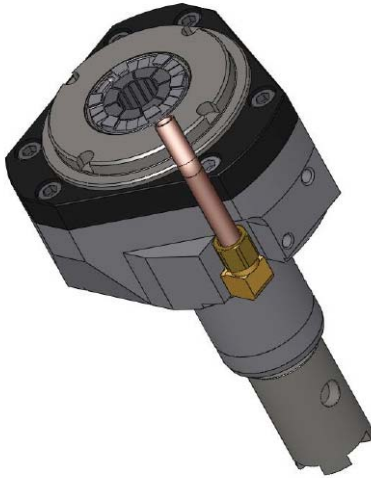
DUAL SPINDLE SERIES: DS-30

SUB-SPINDLE SERIES: TL-15, TL-25

TURNING CENTER SERIES: SL-20, SL-30, SL-40

TURNING CENTER SERIES: ST-20, ST-30

LIVE TOOLS



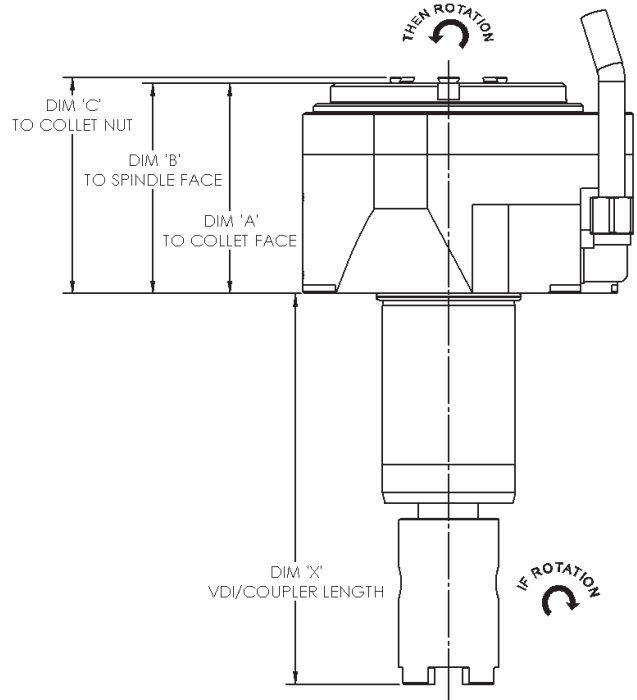
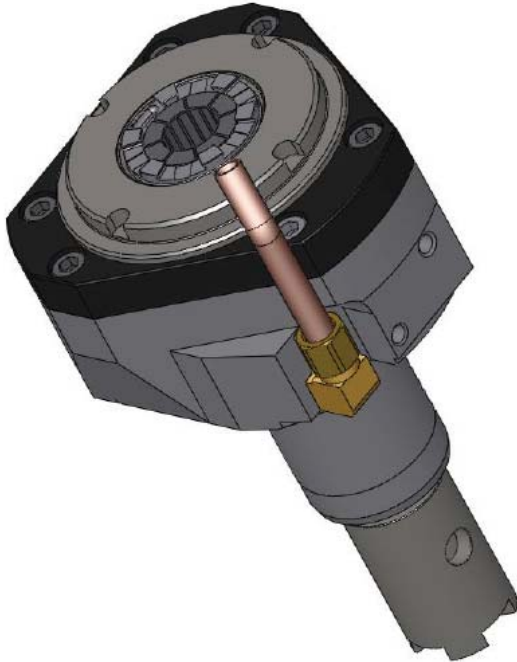
DUAL SPINDLE SERIES: **DS-30**

SUB-SPINDLE SERIES: **TL-15, TL-25**

TURNING CENTER SERIES: **SL-20, SL-30, SL-40**

TURNING CENTER SERIES: **ST-20, ST-30**

LIVE TOOLS



STRAIGHT (AXIAL / FACE)

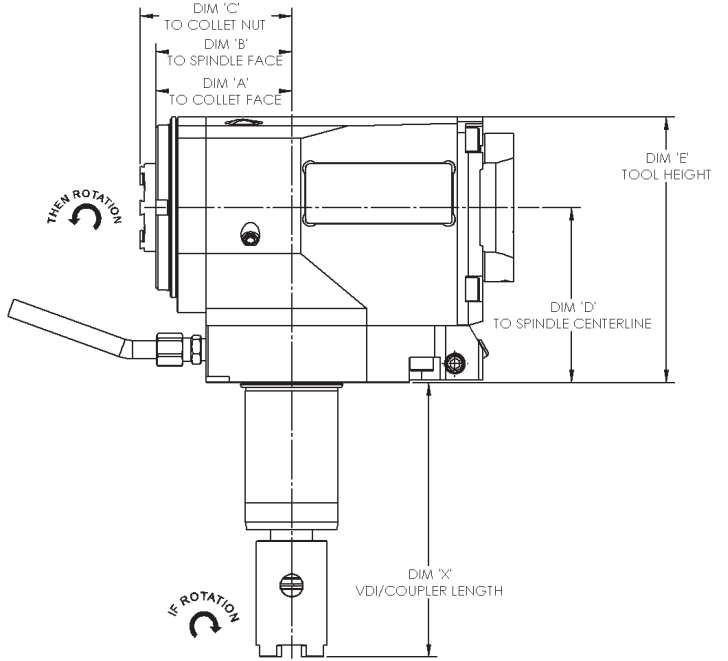
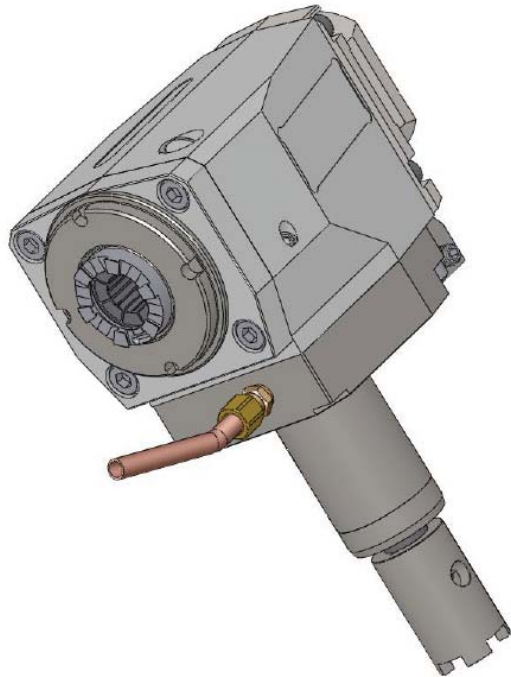
Item Number	Ratio	Spindle	Internal Coolant	A (in)	B (in)	C (in)	D (in)	E (in)	X (in)	List Price
DT10611405111	1:1	ER-32	----	2.49	2.49	2.56	---	---	4.128	\$2,000.00
DT10611405121	1:1	ER-32	1500 PSI	3.54	3.54	3.81	---	---	4.128	\$3,500.00
DT10610605111	1:1	KM-40	----	2.21	2.69	---	---	---	4.128	\$4,000.00
DT10610605121	1:1	KM-40	1500 PSI	3.27	3.75	---	---	---	4.128	\$5,500.00
DT10611405211	1:1	ER-32	----	2.49	2.49	2.56	---	---	4.628	\$2,000.00
DT10611405221	1:1	ER-32	1500 PSI	3.54	3.54	3.81	---	---	4.628	\$3,500.00
DT10610605211	1:1	KM-40	----	2.21	2.69	---	---	---	4.628	\$4,000.00
DT10610605221	1:1	KM-40	1500 PSI	3.27	3.75	---	---	---	4.628	\$5,500.00
DT10611405311	1:1	ER-32	----	2.49	2.49	2.56	---	---	5.128	\$2,000.00
DT10611405321	1:1	ER-32	1500 PSI	3.54	3.54	3.81	---	---	5.128	\$3,500.00
DT10610605311	1:1	KM-40	----	2.21	2.69	---	---	---	5.128	\$4,000.00
DT10610605321	1:1	KM-40	1500 PSI	3.27	3.75	---	---	---	5.128	\$5,500.00

DUAL SPINDLE SERIES: DS-30

SUB-SPINDLE SERIES: TL-15, TL-25

TURNING CENTER SERIES: SL-20, SL-30, SL-40

TURNING CENTER SERIES: ST-20, ST-30



LIVE TOOLS

RIGHT-ANGLE (RADIAL / OD / SIDE)

Item Number	Ratio	Spindle	Internal Coolant	A (in)	B (in)	C (in)	D (in)	E (in)	X (in)	List Price
DT10211405111	1:1	ER-32	----	2.29	2.29	2.36	2.95	4.48	4.128	\$3,500.00
DT10211405121	1:1	ER-32	1500 PSI	2.29	2.29	2.56	2.95	4.48	4.128	\$4,500.00
DT10210605111	1:1	KM-40	----	1.45	1.94	---	2.95	4.48	4.128	\$5,500.00
DT10210605121	1:1	KM-40	1500 PSI	1.45	1.94	---	2.95	4.48	4.128	\$6,500.00
DT10211405211	1:1	ER-32	----	2.29	2.29	2.36	2.95	4.48	4.628	\$3,500.00
DT10211405221	1:1	ER-32	1500 PSI	2.29	2.29	2.56	2.95	4.48	4.628	\$4,500.00
DT10210605211	1:1	KM-40	----	1.45	1.94	---	2.95	4.48	4.628	\$5,500.00
DT10210605221	1:1	KM-40	1500 PSI	1.45	1.94	---	2.95	4.48	4.628	\$6,500.00
DT10211405311	1:1	ER-32	----	2.29	2.29	2.36	2.95	4.48	5.128	\$3,500.00
DT10211405321	1:1	ER-32	1500 PSI	2.29	2.29	2.56	2.95	4.48	5.128	\$4,500.00
DT10210605311	1:1	KM-40	----	1.45	1.94	---	2.95	4.48	5.128	\$5,500.00
DT10210605321	1:1	KM-40	1500 PSI	1.45	1.94	---	2.95	4.48	5.128	\$6,500.00
DT1022xx05xx1	1:2	*Adder for Ratio		*Dimensions same as above						+\$1,500.00
DT1024xx05xx1	2:1	*Adder for Ratio		*Dimensions same as above						+\$1,500.00



HAAS

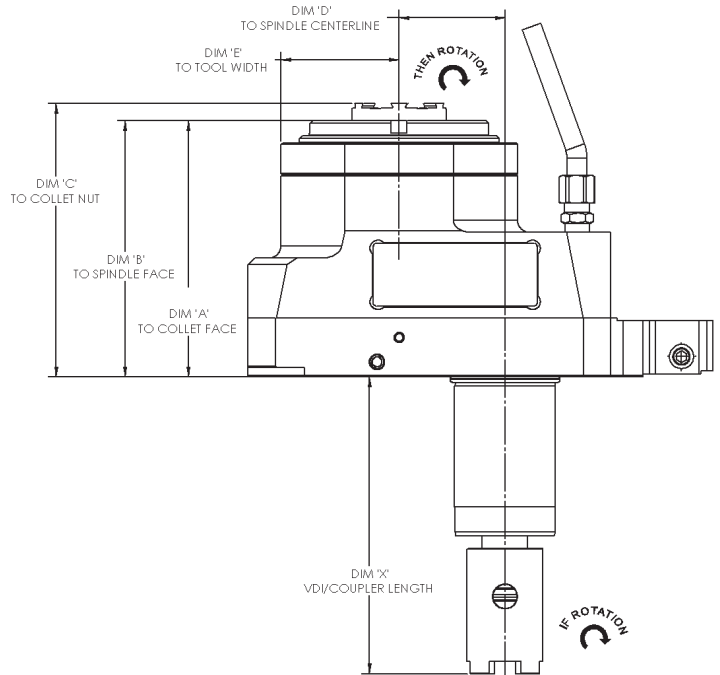
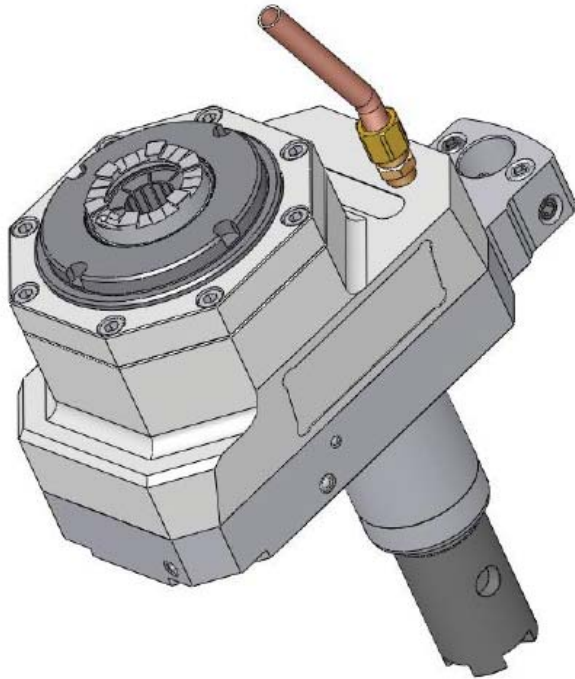
DUAL SPINDLE SERIES: DS-30

SUB-SPINDLE SERIES: TL-15, TL-25

TURNING CENTER SERIES: SL-20, SL-30, SL-40

TURNING CENTER SERIES: ST-20, ST-30

LIVE TOOLS



STRAIGHT-OFFSET (AXIAL / FACE)

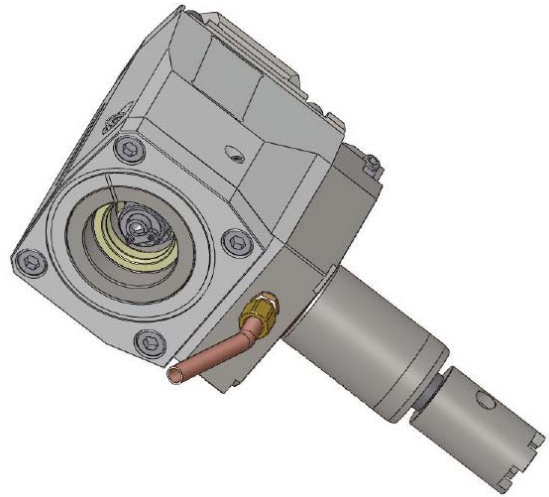
Item Number	Ratio	Spindle	Internal Coolant	A (in)	B (in)	C (in)	D (in)	E (in)	X (in)	List Price
DT10111405111	1:1	ER-32	----	4.00	4.00	4.07	1.65	1.85	4.128	\$3,500.00
DT10111405121	1:1	ER-32	1500 PSI	4.00	4.00	4.27	1.65	1.85	4.128	\$4,500.00
DT10110605111	1:1	KM-40	----	3.54	4.02	---	1.65	1.85	4.128	\$5,500.00
DT10110605121	1:1	KM-40	1500 PSI	3.54	4.02	---	1.65	1.85	4.128	\$6,500.00
DT10111405211	1:1	ER-32	----	4.00	4.00	4.07	1.65	1.85	4.628	\$3,500.00
DT10111405221	1:1	ER-32	1500 PSI	4.00	4.00	4.27	1.65	1.85	4.628	\$4,500.00
DT10110605211	1:1	KM-40	----	3.54	4.02	---	1.65	1.85	4.628	\$5,500.00
DT10110605221	1:1	KM-40	1500 PSI	3.54	4.02	---	1.65	1.85	4.628	\$6,500.00
DT10111405311	1:1	ER-32	----	4.00	4.00	4.07	1.65	1.85	5.128	\$3,500.00
DT10111405321	1:1	ER-32	1500 PSI	4.00	4.00	4.27	1.65	1.85	5.128	\$4,500.00
DT10110605311	1:1	KM-40	----	3.54	4.02	---	1.65	1.85	5.128	\$5,500.00
DT10110605321	1:1	KM-40	1500 PSI	3.54	4.02	---	1.65	1.85	5.128	\$6,500.00
DT1012xx05xx1	1:2	*Adder for Ratio		*Dimensions same as above						+\$1,500.00
DT1014xx05xx1	2:1	*Adder for Ratio		*Dimensions same as above						+\$1,500.00

DUAL SPINDLE SERIES: DS-30

SUB-SPINDLE SERIES: TL-15, TL-25

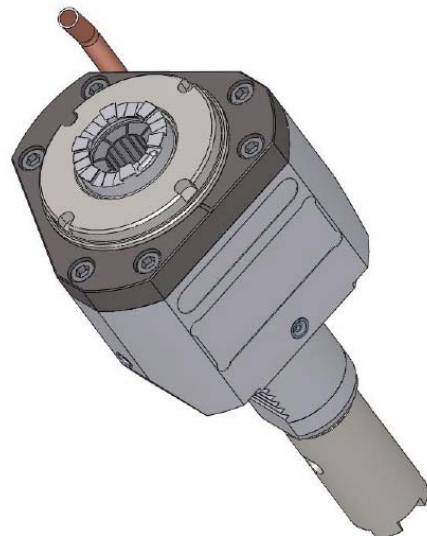
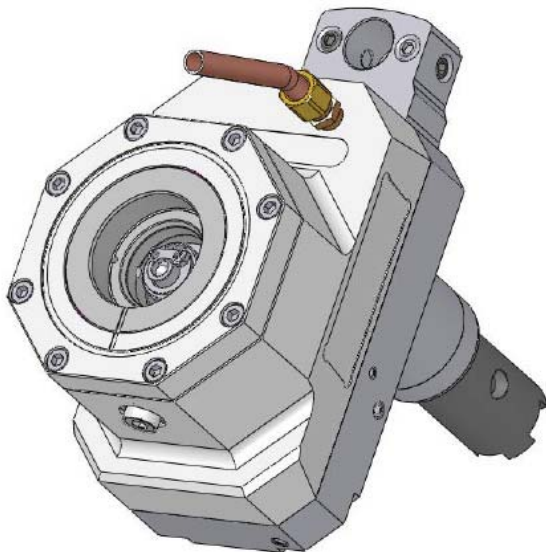
TURNING CENTER SERIES: SL-20, SL-30, SL-40

TURNING CENTER SERIES: ST-20, ST-30



LIVE TOOLS

SPECIALS



HAAS

**VON
RUDEN**

DUAL SPINDLE SERIES: DS-30

SUB-SPINDLE SERIES: TL-15, TL-25

TURNING CENTER SERIES: SL-20, SL-30, SL-40

TURNING CENTER SERIES: ST-20, ST-30

Why do over 94% of our test programs result in customer purchases....?



MADE IN USA. Designed, manufactured and supported in the USA.



Your only supplier with over 60 years of gear and bearing expertise combined with over 30 years of hydraulic expertise.



All tools are designed to each specific machine as to not limit your equipment's capabilities.



Quality high precision spindle bearings (ABEC 7 / P4 minimum) are used for performance, rigidity and durability for smooth operation and long life giving the assurance of solid performance.



Maximum use of each machine's turret cone for larger diameter duplex bearings set around the clamping system without interference to neighboring tools.



Highest quality seals and o-rings for protection against external contamination. Long-life premium grease for optimum lubrication environment.



Recessed spindle configurations reduces the length of moment arm for longer bearing life while maximizing tool lengths.



Bodies are made of high quality steels with a one piece base hardened for maximum rigidity and wear resistance. Black oxide coated for a professional finish.



Internal and External combination coolant options. High pressure internal coolant options up to 1,500 PSI.



Hardened and honed right-angle spiral bevel and spur cut gears provide for long life, high strength and quiet operation.



Industry proven ER Tooling System for reliable and controlled machining. Wrenches Included!



All tools are packaged with specification sheets, operating instructions and audit-test reports. ISO 9001:2008 Certified.



Kennametal® Modular Quick-Change Tooling System for reliable and efficient tool changes.



48 Hour Service on repairs! We have even done them in less than one hour. We understand your urgency as we are a customer too!

