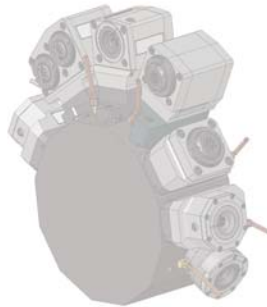




# MAZAK

## HYPER QUADREX SERIES MULTIPLEX SERIES QUICK TURN NEXUS SERIES

# LIVE TOOLS





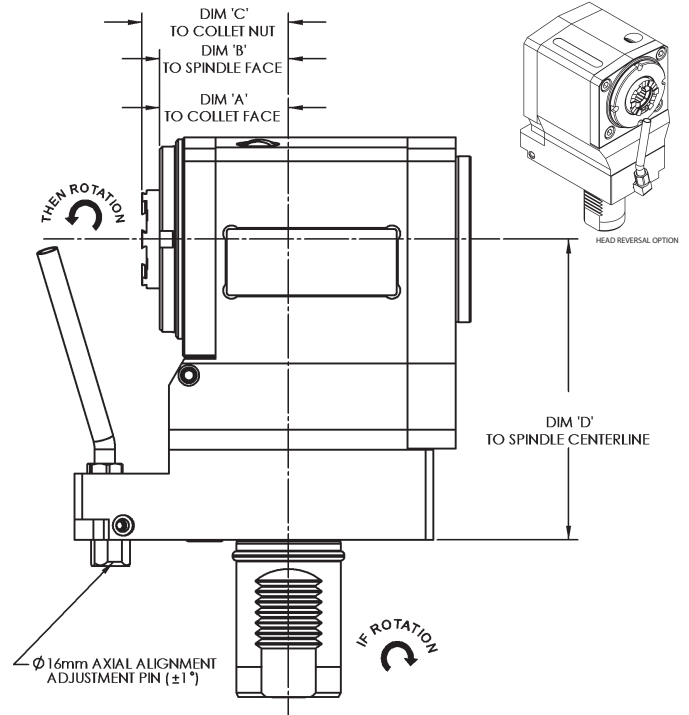
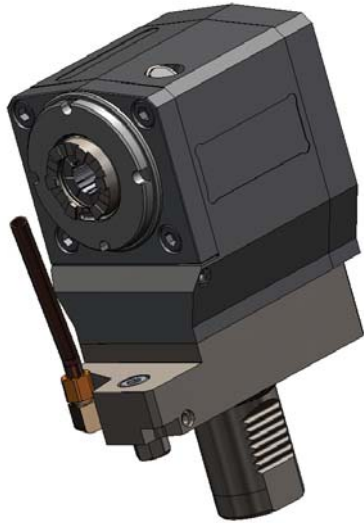
# MAZAK

## HYPER QUADREX SERIES

HQR100MSY

HQR150MSY

LIVE TOOLS



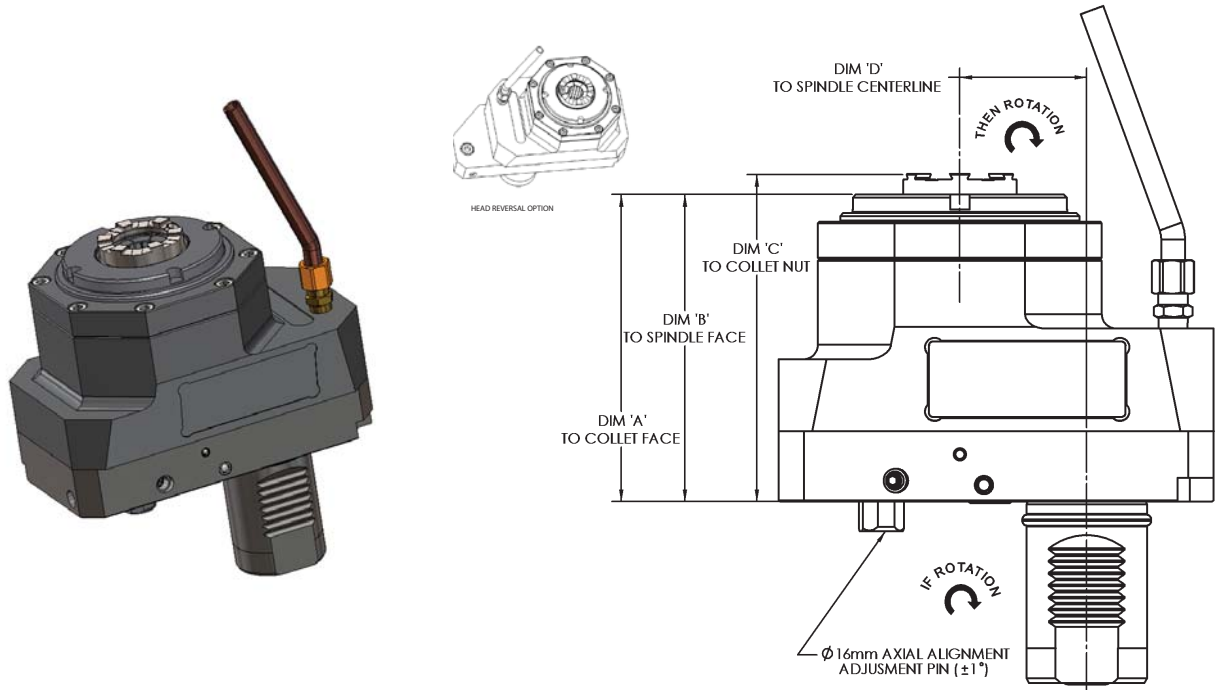
### RIGHT-ANGLE (HORIZONTAL)

Item Number	Tool Axis	Ratio	Spindle	Internal Coolant	A (mm)	B (mm)	C (mm)	D (mm)	List Price
DT10211400311	FACE	1:1	ER-32	----	50	50	52	115	\$3,500.00
DT10211400321	FACE	1:1	ER-32	1500 PSI	50	50	58	115	\$4,500.00
DT10221400311	FACE	1:2	ER-32	----	50	50	52	115	\$5,000.00
DT10221400321	FACE	1:2	ER-32	1500 PSI	50	50	58	115	\$6,000.00
DT10241400311	FACE	2:1	ER-32	----	50	50	52	115	\$5,000.00
DT10241400321	FACE	2:1	ER-32	1500 PSI	50	50	58	115	\$6,000.00
DT10411400311	FACE-HR	1:1	ER-32	----	50	50	52	115	\$3,500.00
DT10411400321	FACE-HR	1:1	ER-32	1500 PSI	50	50	58	115	\$4,500.00
DT10421400311	FACE-HR	1:2	ER-32	----	50	50	52	115	\$5,000.00
DT10421400321	FACE-HR	1:2	ER-32	1500 PSI	50	50	58	115	\$6,000.00
DT10441400311	FACE-HR	2:1	ER-32	----	50	50	52	115	\$5,000.00
DT10441400321	FACE-HR	2:1	ER-32	1500 PSI	50	50	58	115	\$6,000.00
DT10210600311	FACE	1:1	KM-40	----	28	40	---	115	\$5,500.00
DT10210600321	FACE	1:1	KM-40	1500 PSI	28	40	---	115	\$6,500.00
DT10410600311	FACE-HR	1:1	KM-40	----	28	40	---	115	\$5,500.00
DT10410600321	FACE-HR	1:1	KM-40	1500 PSI	28	40	---	115	\$6,500.00

## HYPER QUADREX SERIES

HQR100MSY

HQR150MSY



LIVE TOOLS

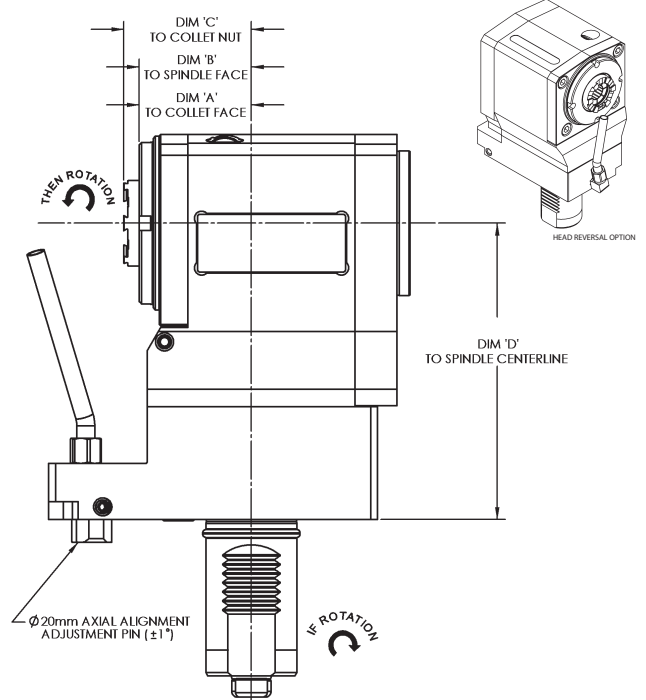
### STRAIGHT-OFFSET (VERTICAL)

Item Number	Tool Axis	Ratio	Spindle	Internal Coolant	A (mm)	B (mm)	C (mm)	D (mm)	List Price
DT10111400311	OD	1:1	ER-32	----	102	102	104	42	\$3,500.00
DT10111400321	OD	1:1	ER-32	1500 PSI	102	102	110	42	\$4,500.00
DT10121400311	OD	1:2	ER-32	----	102	102	104	42	\$5,000.00
DT10121400321	OD	1:2	ER-32	1500 PSI	102	102	110	42	\$6,000.00
DT10141400311	OD	2:1	ER-32	----	102	102	104	42	\$5,000.00
DT10141400321	OD	2:1	ER-32	1500 PSI	102	102	110	42	\$6,000.00
DT10311400311	OD-HR	1:1	ER-32	----	102	102	104	42	\$3,500.00
DT10311400321	OD-HR	1:1	ER-32	1500 PSI	102	102	110	42	\$4,500.00
DT10321400311	OD-HR	1:2	ER-32	----	102	102	104	42	\$5,000.00
DT10321400321	OD-HR	1:2	ER-32	1500 PSI	102	102	110	42	\$6,000.00
DT10341400311	OD-HR	2:1	ER-32	----	102	102	104	42	\$5,000.00
DT10341400321	OD-HR	2:1	ER-32	1500 PSI	102	102	110	42	\$6,000.00
DT10110600311	OD	1:1	KM-40	----	90	102	---	42	\$5,500.00
DT10110600321	OD	1:1	KM-40	1500 PSI	90	102	---	42	\$6,500.00
DT10310600311	OD-HR	1:1	KM-40	----	90	102	---	42	\$5,500.00
DT10310600321	OD-HR	1:1	KM-40	1500 PSI	90	102	---	42	\$6,500.00

**HYPER QUADREX SERIES**

**HQR200MSY**

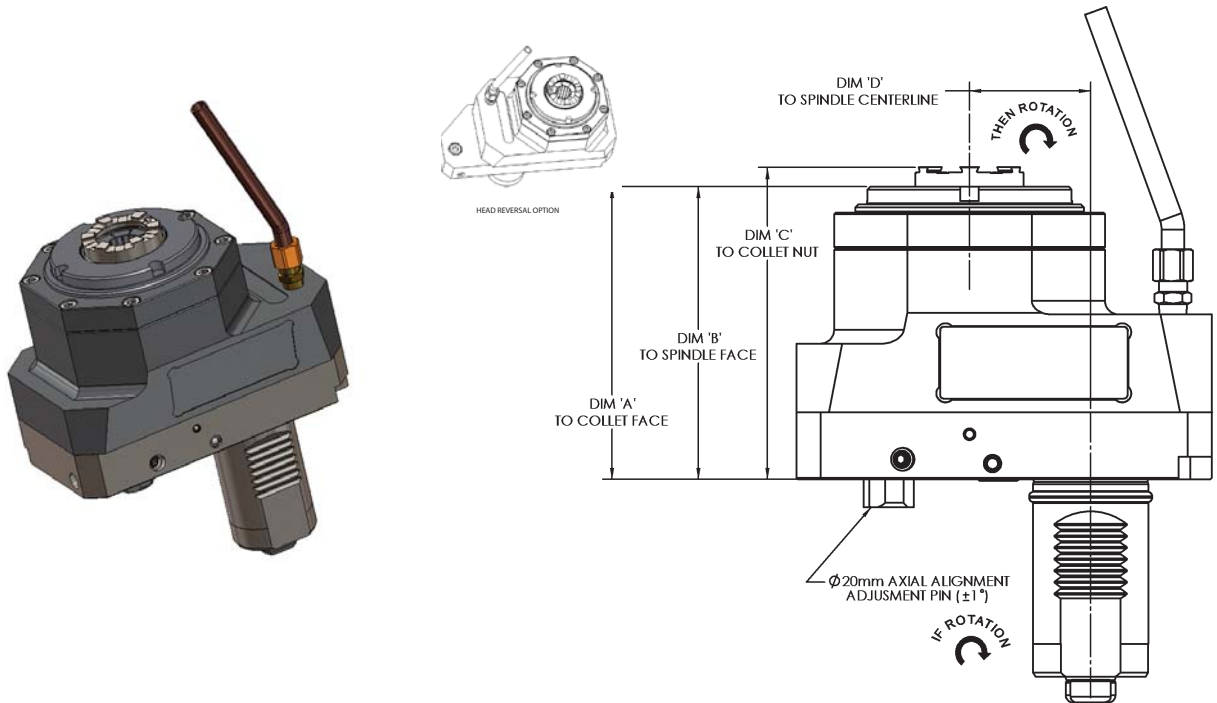
LIVE TOOLS



**RIGHT-ANGLE (HORIZONTAL)**

Item Number	Tool Axis	Ratio	Spindle	Internal Coolant	A (mm)	B (mm)	C (mm)	D (mm)	List Price
DT10211400411	FACE	1:1	ER-32	----	50	50	52	130	\$3,500.00
DT10211400421	FACE	1:1	ER-32	1500 PSI	50	50	58	130	\$4,500.00
DT10221400411	FACE	1:2	ER-32	----	50	50	52	130	\$5,000.00
DT10221400421	FACE	1:2	ER-32	1500 PSI	50	50	58	130	\$6,000.00
DT10241400411	FACE	2:1	ER-32	----	50	50	52	130	\$5,000.00
DT10241400421	FACE	2:1	ER-32	1500 PSI	50	50	58	130	\$6,000.00
DT10411400411	FACE-HR	1:1	ER-32	----	50	50	52	130	\$3,500.00
DT10411400421	FACE-HR	1:1	ER-32	1500 PSI	50	50	58	130	\$4,500.00
DT10421400411	FACE-HR	1:2	ER-32	----	50	50	52	130	\$5,000.00
DT10421400421	FACE-HR	1:2	ER-32	1500 PSI	50	50	58	130	\$6,000.00
DT10441400411	FACE-HR	2:1	ER-32	----	50	50	52	130	\$5,000.00
DT10441400421	FACE-HR	2:1	ER-32	1500 PSI	50	50	58	130	\$6,000.00
DT10210600411	FACE	1:1	KM-40	----	28	40	---	130	\$5,500.00
DT10210600421	FACE	1:1	KM-40	1500 PSI	28	40	---	130	\$6,500.00
DT10410600411	FACE-HR	1:1	KM-40	----	28	40	---	130	\$5,500.00
DT10410600421	FACE-HR	1:1	KM-40	1500 PSI	28	40	---	130	\$6,500.00

### HQR200MSY



LIVE TOOLS

## STRAIGHT-OFFSET (VERTICAL)

Item Number	Tool Axis	Ratio	Spindle	Internal Coolant	A (mm)	B (mm)	C (mm)	D (mm)	List Price
DT10111400411	OD	1:1	ER-32	----	102	102	104	42	\$3,500.00
DT10111400421	OD	1:1	ER-32	1500 PSI	102	102	110	42	\$4,500.00
DT10121400411	OD	1:2	ER-32	----	102	102	104	42	\$5,000.00
DT10121400421	OD	1:2	ER-32	1500 PSI	102	102	110	42	\$6,000.00
DT10141400411	OD	2:1	ER-32	----	102	102	104	42	\$5,000.00
DT10141400421	OD	2:1	ER-32	1500 PSI	102	102	110	42	\$6,000.00
DT10311400411	OD-HR	1:1	ER-32	----	102	102	104	42	\$3,500.00
DT10311400421	OD-HR	1:1	ER-32	1500 PSI	102	102	110	42	\$4,500.00
DT10321400411	OD-HR	1:2	ER-32	----	102	102	104	42	\$5,000.00
DT10321400421	OD-HR	1:2	ER-32	1500 PSI	102	102	110	42	\$6,000.00
DT10341400411	OD-HR	2:1	ER-32	----	102	102	104	42	\$5,000.00
DT10341400421	OD-HR	2:1	ER-32	1500 PSI	102	102	110	42	\$6,000.00
DT10110600411	OD	1:1	KM-40	----	90	102	---	42	\$5,500.00
DT10110600421	OD	1:1	KM-40	1500 PSI	90	102	---	42	\$6,500.00
DT10310600411	OD-HR	1:1	KM-40	----	90	102	---	42	\$5,500.00
DT10310600421	OD-HR	1:1	KM-40	1500 PSI	90	102	---	42	\$6,500.00

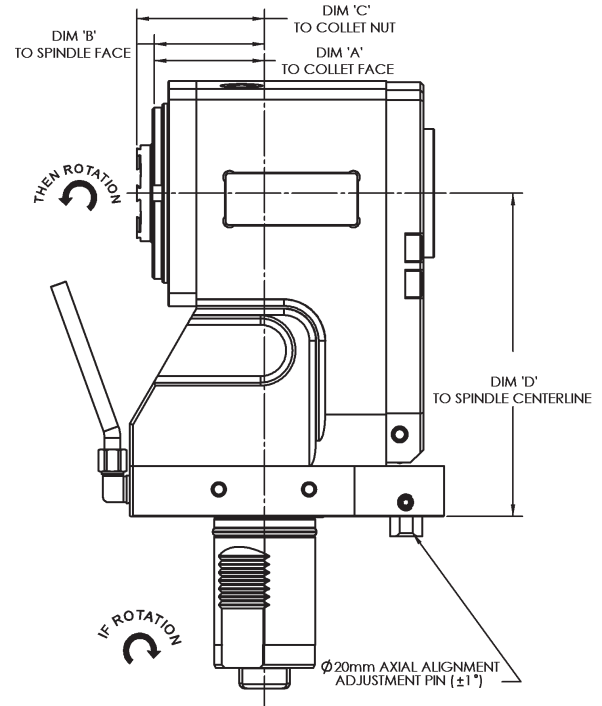


# MAZAK

## HYPER QUADREX SERIES

### HQR450M

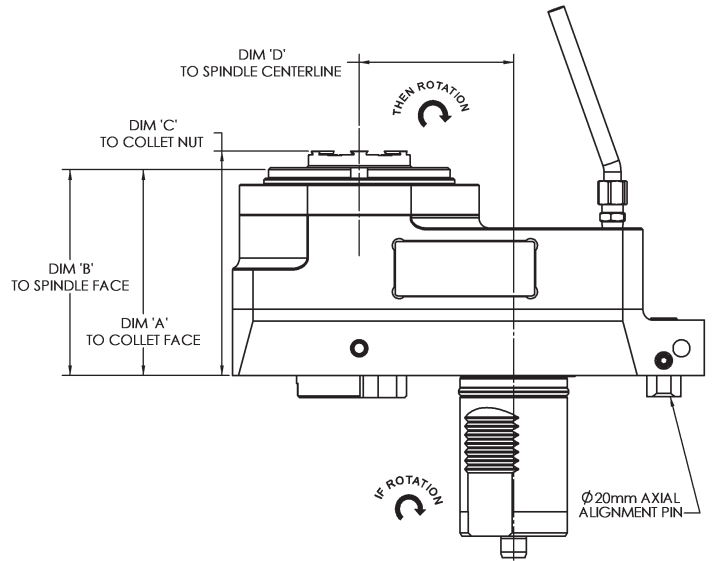
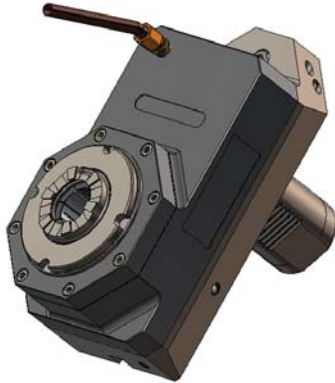
LIVE TOOLS



### RIGHT-ANGLE (HORIZONTAL)

Item Number	Tool Axis	Ratio	Spindle	Internal Coolant	A (mm)	B (mm)	C (mm)	D (mm)	List Price
DT10211500611	FACE	1:1	ER-40	----	56	56	58	160	\$4,500.00
DT10211500621	FACE	1:1	ER-40	1500 PSI	56	56	64	160	\$5,500.00
DT10221500611	FACE	1:2	ER-40	----	56	56	58	160	\$6,000.00
DT10221500621	FACE	1:2	ER-40	1500 PSI	56	56	64	160	\$7,000.00
DT10241500611	FACE	2:1	ER-40	----	56	56	58	160	\$6,000.00
DT10241500621	FACE	2:1	ER-40	1500 PSI	56	56	64	160	\$7,000.00
DT10210500611	FACE	1:1	KM-50	----	32	48	---	160	\$7,500.00
DT10210500621	FACE	1:1	KM-50	1500 PSI	32	48	---	160	\$8,500.00

### HQR450M



LIVE TOOLS

## STRAIGHT-OFFSET (VERTICAL)

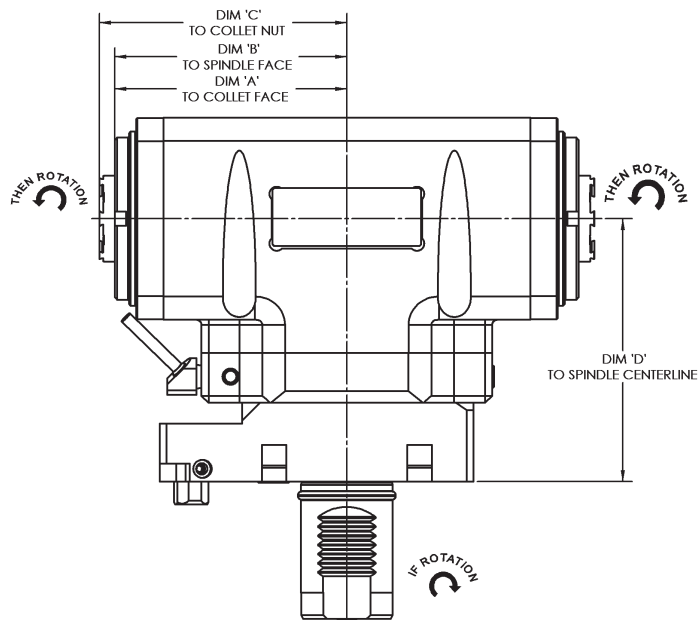
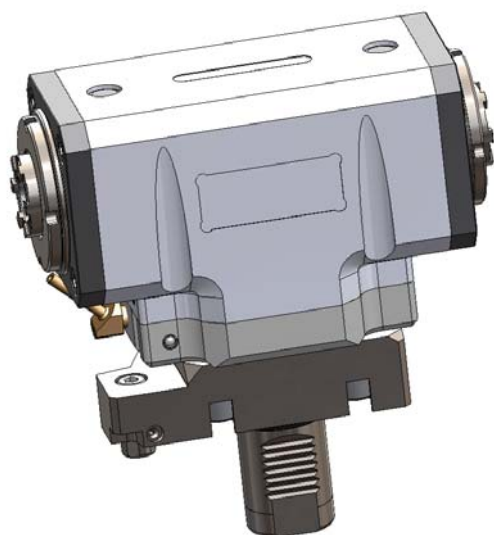
Item Number	Tool Axis	Ratio	Spindle	Internal Coolant	A (mm)	B (mm)	C (mm)	D (mm)	List Price
DT10111500611	OD	1:1	ER-40	----	96	96	99	72	\$4,500.00
DT10111500621	OD	1:1	ER-40	1500 PSI	96	96	105	72	\$5,500.00
DT10121500611	OD	1:2	ER-40	----	96	96	99	72	\$6,000.00
DT10121500621	OD	1:2	ER-40	1500 PSI	96	96	105	72	\$7,000.00
DT10141500611	OD	2:1	ER-40	----	96	96	99	72	\$6,000.00
DT10141500621	OD	2:1	ER-40	1500 PSI	96	96	105	72	\$7,000.00
DT10110500611	OD	1:1	KM-50	----	100	114	---	72	\$7,500.00
DT10110500621	OD	1:1	KM-50	1500 PSI	100	114	---	72	\$8,500.00

## HYPER QUADREX SERIES

HQR100MSY HQR150MSY

HQR200MSY

HQR450M



### RIGHT-ANGLE DUAL-HEAD (HORIZONTAL)

#### HQR100MSY HQR150MSY

Item Number	Tool Axis	Ratio	Spindle	Internal Coolant	A (mm)	B (mm)	C (mm)	D (mm)	List Price
DT10511400311	FACE-DH	1:1	ER-32	----	101	101	103	115	\$5,000.00
DT10511400321	FACE-DH	1:1	ER-32	1500 PSI	101	101	108	115	\$6,500.00

#### HQR200MSY

Item Number	Tool Axis	Ratio	Spindle	Internal Coolant	A (mm)	B (mm)	C (mm)	D (mm)	List Price
DT10511400411	FACE-DH	1:1	ER-32	----	101	101	103	130	\$5,000.00
DT10511400421	FACE-DH	1:1	ER-32	1500 PSI	101	101	108	130	\$6,500.00

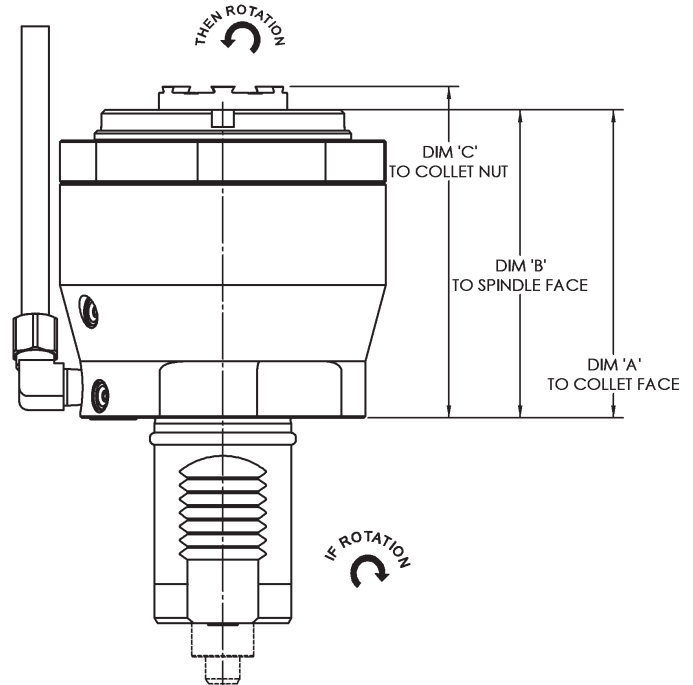


## HYPER QUADREX SERIES

HQR100MSY HQR150MSY

HQR200MSY

HQR450M



LIVE TOOLS

### STRAIGHT (VERTICAL)

#### HQR100MSY HQR150MSY

Item Number	Tool Axis	Ratio	Spindle	Internal Coolant	A (mm)	B (mm)	C (mm)	D (mm)	List Price
DT10611400311	OD	1:1	ER-32	----	64	64	66	---	\$2,000.00
DT10611400321	OD	1:1	ER-32	1500 PSI	90	90	98	---	\$3,500.00

#### HQR200MSY

Item Number	Tool Axis	Ratio	Spindle	Internal Coolant	A (mm)	B (mm)	C (mm)	D (mm)	List Price
DT10611400411	OD	1:1	ER-32	----	64	64	66	---	\$2,000.00
DT10611400421	OD	1:1	ER-32	1500 PSI	90	90	98	---	\$3,500.00

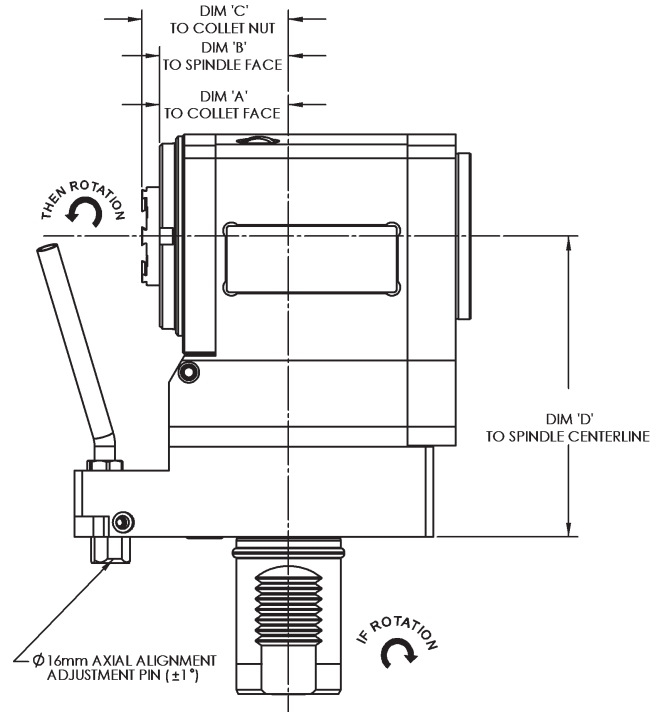
#### HQR450M

Item Number	Tool Axis	Ratio	Spindle	Internal Coolant	A (mm)	B (mm)	C (mm)	D (mm)	List Price
DT10611500511	OD	1:1	ER-40	----	78	78	81	---	\$3,000.00
DT10611500521	OD	1:1	ER-40	1500 PSI	102	102	111	---	\$4,500.00

**MULTIPLEX SERIES**

**MPX6100 (Y)**

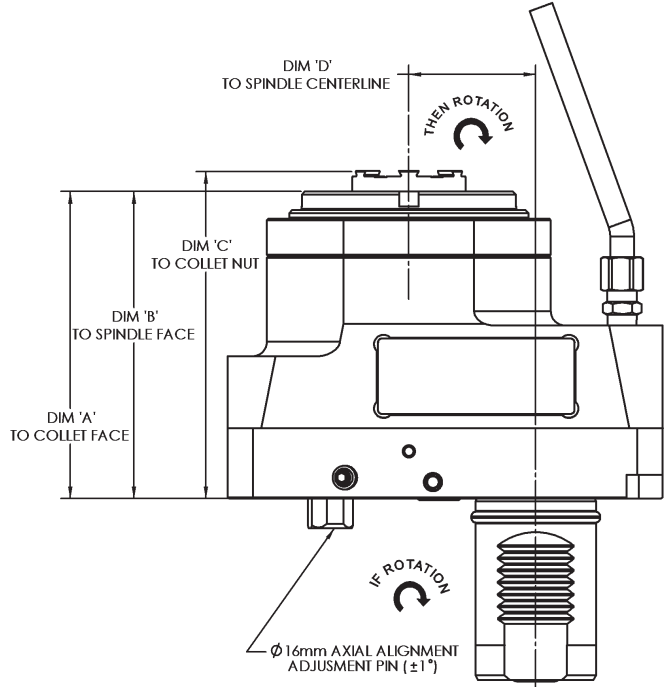
LIVE TOOLS



**RIGHT-ANGLE (HORIZONTAL)**

Item Number	Tool Axis	Ratio	Spindle	Internal Coolant	A (mm)	B (mm)	C (mm)	D (mm)	List Price
DT10211400311	FACE	1:1	ER-32	----	50	50	52	115	\$3,500.00
DT10211400321	FACE	1:1	ER-32	1500 PSI	50	50	58	115	\$4,500.00
DT10221400311	FACE	1:2	ER-32	----	50	50	52	115	\$5,000.00
DT10221400321	FACE	1:2	ER-32	1500 PSI	50	50	58	115	\$6,000.00
DT10241400311	FACE	2:1	ER-32	----	50	50	52	115	\$5,000.00
DT10241400321	FACE	2:1	ER-32	1500 PSI	50	50	58	115	\$6,000.00
DT10210600311	FACE	1:1	KM-40	----	28	40	---	115	\$5,500.00
DT10210600321	FACE	1:1	KM-40	1500 PSI	28	40	---	115	\$6,500.00

### MPX6100 (Y)



LIVE TOOLS

## STRAIGHT-OFFSET (VERTICAL)

Item Number	Tool Axis	Ratio	Spindle	Internal Coolant	A (mm)	B (mm)	C (mm)	D (mm)	List Price
DT10111400311	OD	1:1	ER-32	----	102	102	104	42	\$3,500.00
DT10111400321	OD	1:1	ER-32	1500 PSI	102	102	110	42	\$4,500.00
DT10121400311	OD	1:2	ER-32	----	102	102	104	42	\$5,000.00
DT10121400321	OD	1:2	ER-32	1500 PSI	102	102	110	42	\$6,000.00
DT10141400311	OD	2:1	ER-32	----	102	102	104	42	\$5,000.00
DT10141400321	OD	2:1	ER-32	1500 PSI	102	102	110	42	\$6,000.00
DT10110600311	OD	1:1	KM-40	----	90	102	---	42	\$5,500.00
DT10110600321	OD	1:1	KM-40	1500 PSI	90	102	---	42	\$6,500.00



# MAZAK

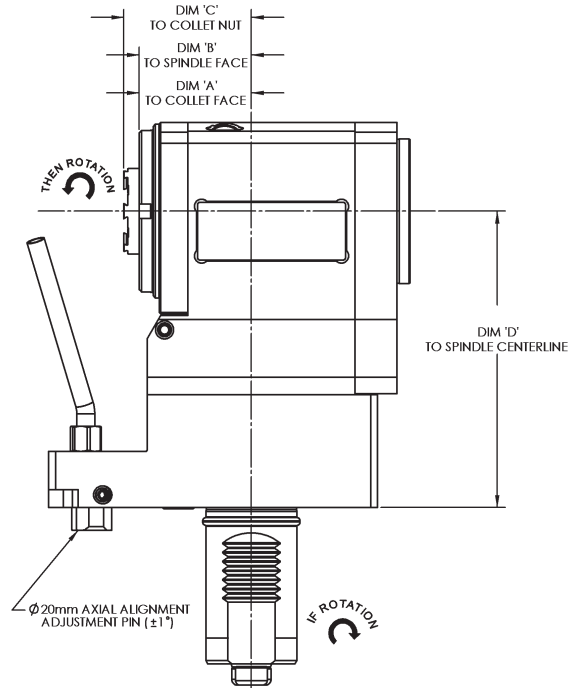
## MULTIPLEX SERIES

MPX6200 (Y)

MPX6250

MPX8200

LIVE TOOLS



### RIGHT-ANGLE (HORIZONTAL)

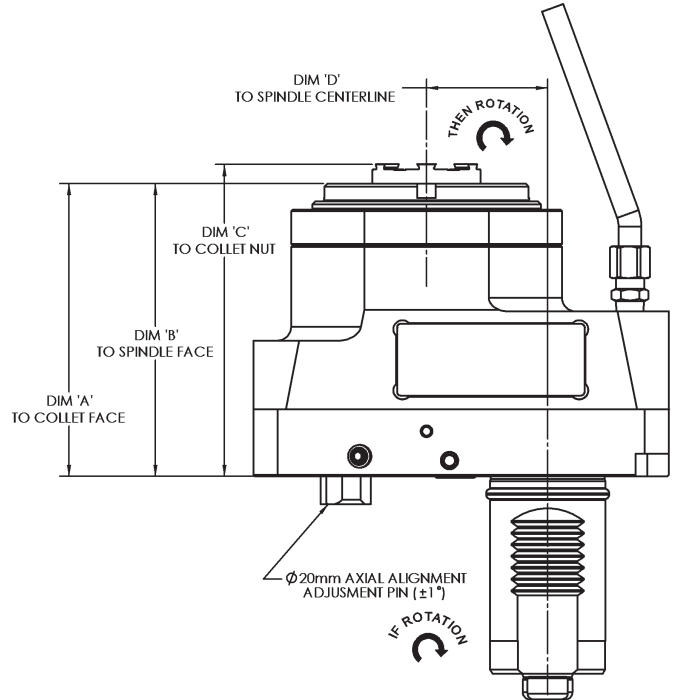
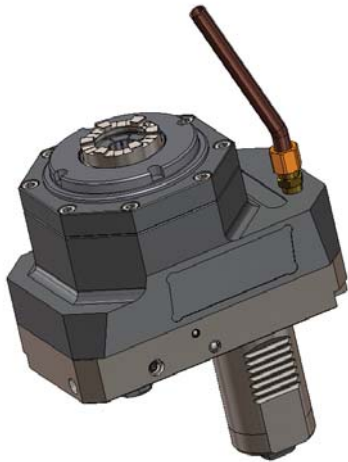
Item Number	Tool Axis	Ratio	Spindle	Internal Coolant	A (mm)	B (mm)	C (mm)	D (mm)	List Price
DT10211400411	FACE	1:1	ER-32	----	50	50	52	130	\$3,500.00
DT10211400421	FACE	1:1	ER-32	1500 PSI	50	50	58	130	\$4,500.00
DT10221400411	FACE	1:2	ER-32	----	50	50	52	130	\$5,000.00
DT10221400421	FACE	1:2	ER-32	1500 PSI	50	50	58	130	\$6,000.00
DT10241400411	FACE	2:1	ER-32	----	50	50	52	130	\$5,000.00
DT10241400421	FACE	2:1	ER-32	1500 PSI	50	50	58	130	\$6,000.00
DT10210600411	FACE	1:1	KM-40	----	28	40	---	130	\$5,500.00
DT10210600421	FACE	1:1	KM-40	1500 PSI	28	40	---	130	\$6,500.00

## MULTIPLEX SERIES

MPX6200 (Y)

MPX6250

MPX8200



LIVE TOOLS

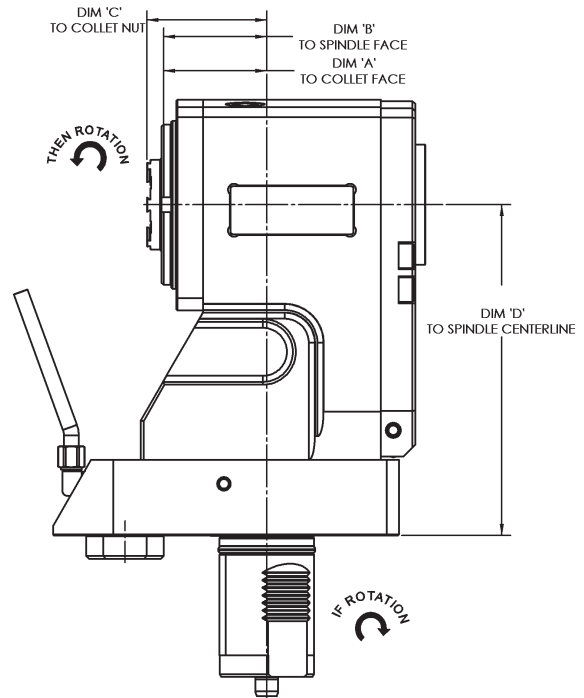
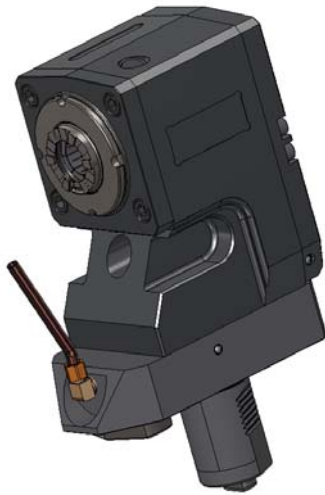
### STRAIGHT-OFFSET (VERTICAL)

Item Number	Tool Axis	Ratio	Spindle	Internal Coolant	A (mm)	B (mm)	C (mm)	D (mm)	List Price
DT10111400411	OD	1:1	ER-32	----	102	102	104	42	\$3,500.00
DT10111400421	OD	1:1	ER-32	1500 PSI	102	102	110	42	\$4,500.00
DT10121400411	OD	1:2	ER-32	----	102	102	104	42	\$5,000.00
DT10121400421	OD	1:2	ER-32	1500 PSI	102	102	110	42	\$6,000.00
DT10141400411	OD	2:1	ER-32	----	102	102	104	42	\$5,000.00
DT10141400421	OD	2:1	ER-32	1500 PSI	102	102	110	42	\$6,000.00
DT10110600411	OD	1:1	KM-40	----	90	102	---	42	\$5,500.00
DT10110600421	OD	1:1	KM-40	1500 PSI	90	102	---	42	\$6,500.00

**MULTIPLEX SERIES**

**MPX6300 (Y)**

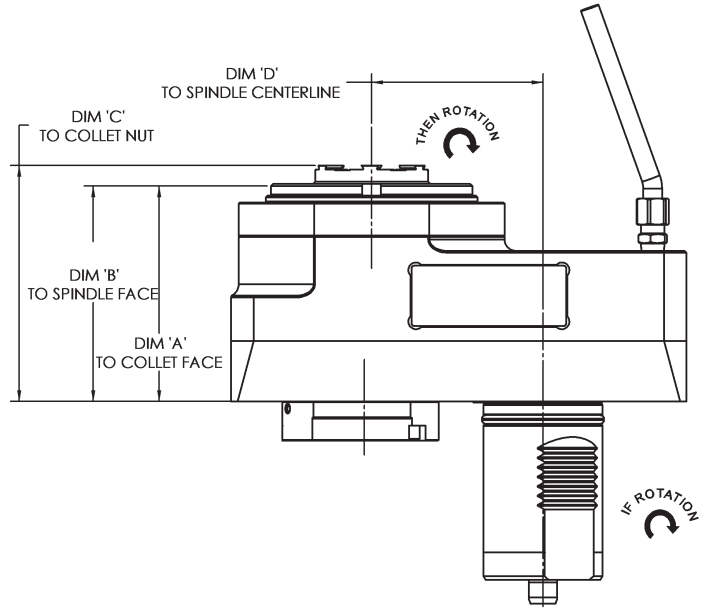
LIVE TOOLS



**RIGHT-ANGLE (HORIZONTAL)**

Item Number	Tool Axis	Ratio	Spindle	Internal Coolant	A (mm)	B (mm)	C (mm)	D (mm)	List Price
DT10211500511	FACE	1:1	ER-40	----	55	55	58	175	\$4,500.00
DT10211500521	FACE	1:1	ER-40	1500 PSI	55	55	64	175	\$5,500.00
DT10221500511	FACE	1:2	ER-40	----	55	55	58	175	\$6,000.00
DT10221500521	FACE	1:2	ER-40	1500 PSI	55	55	64	175	\$7,000.00
DT10241500511	FACE	2:1	ER-40	----	55	55	58	175	\$6,000.00
DT10241500521	FACE	2:1	ER-40	1500 PSI	55	55	64	175	\$7,000.00
DT10210500511	FACE	1:1	KM-50	----	32	48	---	175	\$7,500.00
DT10210500521	FACE	1:1	KM-50	1500 PSI	32	48	---	175	\$8,500.00

### MPX6300 (Y)



LIVE TOOLS

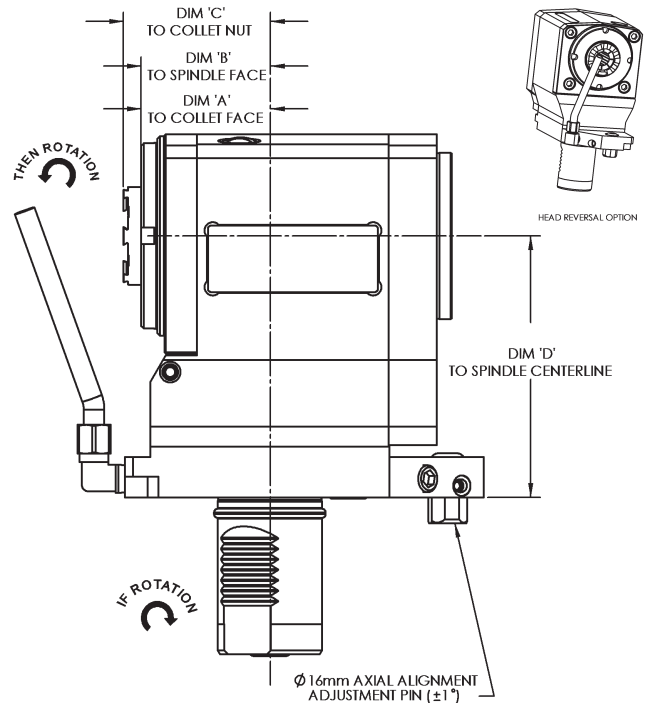
## STRAIGHT-OFFSET (VERTICAL)

Item Number	Tool Axis	Ratio	Spindle	Internal Coolant	A (mm)	B (mm)	C (mm)	D (mm)	List Price
DT10111500511	OD	1:1	ER-40	----	91	91	94	72	\$4,500.00
DT10111500521	OD	1:1	ER-40	1500 PSI	91	91	100	72	\$5,500.00
DT10121500511	OD	1:2	ER-40	----	91	91	94	72	\$6,000.00
DT10121500521	OD	1:2	ER-40	1500 PSI	91	91	100	72	\$7,000.00
DT10141500511	OD	2:1	ER-40	----	91	91	94	72	\$6,000.00
DT10141500521	OD	2:1	ER-40	1500 PSI	91	91	100	72	\$7,000.00
DT10110500511	OD	1:1	KM-50	----	93	109	---	72	\$7,500.00
DT10110500521	OD	1:1	KM-50	1500 PSI	93	109	---	72	\$8,500.00

**NEXUS QUICK TURN SERIES**

**QTN100-II M (MS - MY - MSY)**

LIVE TOOLS



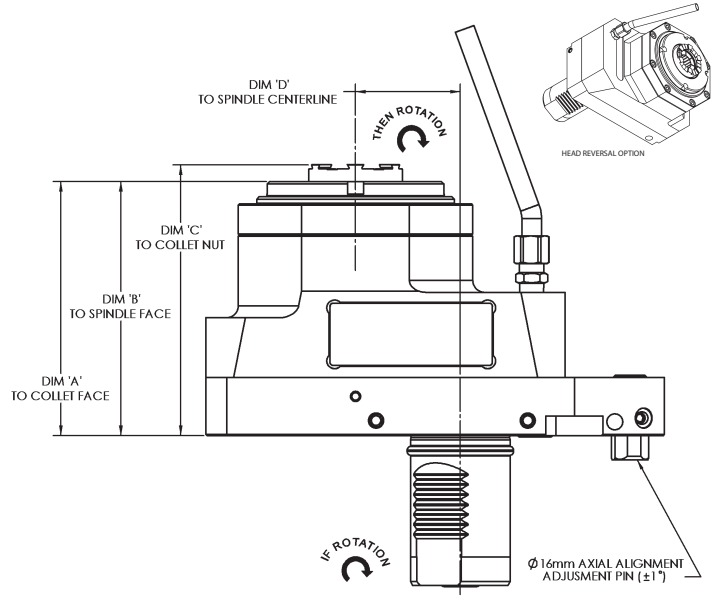
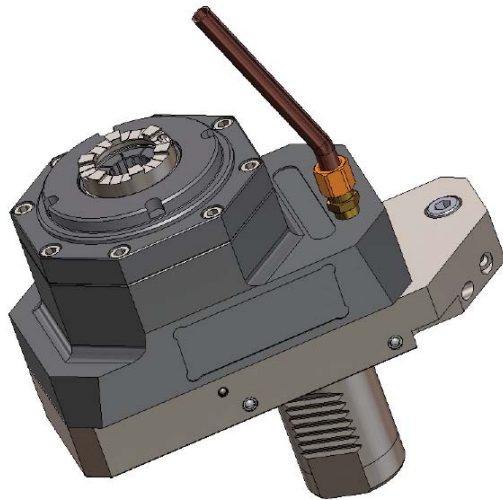
**RIGHT-ANGLE (HORIZONTAL)**

Item Number	Tool Axis	Ratio	Spindle	Internal Coolant	A (mm)	B (mm)	C (mm)	D (mm)	List Price
DT10211400111	FACE	1:1	ER-32	----	50	50	52	100	\$3,500.00
DT10211400121	FACE	1:1	ER-32	1500 PSI	50	50	58	100	\$4,500.00
DT10221400111	FACE	1:2	ER-32	----	50	50	52	100	\$5,000.00
DT10221400121	FACE	1:2	ER-32	1500 PSI	50	50	58	100	\$6,000.00
DT10241400111	FACE	2:1	ER-32	----	50	50	52	100	\$5,000.00
DT10241400121	FACE	2:1	ER-32	1500 PSI	50	50	58	100	\$6,000.00
DT10411400111	FACE-HR	1:1	ER-32	----	50	50	52	100	\$3,500.00
DT10411400121	FACE-HR	1:1	ER-32	1500 PSI	50	50	58	100	\$4,500.00
DT10421400111	FACE-HR	1:2	ER-32	----	50	50	52	100	\$5,000.00
DT10421400121	FACE-HR	1:2	ER-32	1500 PSI	50	50	58	100	\$6,000.00
DT10441400111	FACE-HR	2:1	ER-32	----	50	50	52	100	\$5,000.00
DT10441400121	FACE-HR	2:1	ER-32	1500 PSI	50	50	58	100	\$6,000.00
DT10210600111	FACE	1:1	KM-40	----	28	40	---	100	\$5,500.00
DT10210600121	FACE	1:1	KM-40	1500 PSI	28	40	---	100	\$6,500.00
DT10410600111	FACE-HR	1:1	KM-40	----	28	40	---	100	\$5,500.00
DT10410600121	FACE-HR	1:1	KM-40	1500 PSI	28	40	---	100	\$6,500.00



## NEXUS QUICK TURN SERIES

### QTN100-II M (MS - MY - MSY)



LIVE TOOLS

## STRAIGHT-OFFSET (VERTICAL)

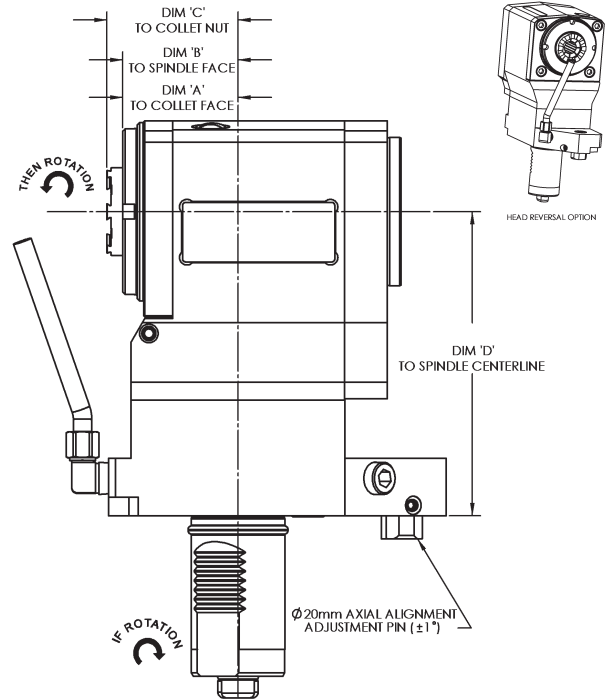
Item Number	Tool Axis	Ratio	Spindle	Internal Coolant	A (mm)	B (mm)	C (mm)	D (mm)	List Price
DT10111400111	OD	1:1	ER-32	----	102	102	104	42	\$3,500.00
DT10111400121	OD	1:1	ER-32	1500 PSI	102	102	110	42	\$4,500.00
DT10121400111	OD	1:2	ER-32	----	102	102	104	42	\$5,000.00
DT10121400121	OD	1:2	ER-32	1500 PSI	102	102	110	42	\$6,000.00
DT10141400111	OD	2:1	ER-32	----	102	102	104	42	\$5,000.00
DT10141400121	OD	2:1	ER-32	1500 PSI	102	102	110	42	\$6,000.00
DT10311400111	OD-HR	1:1	ER-32	----	102	102	104	42	\$3,500.00
DT10311400121	OD-HR	1:1	ER-32	1500 PSI	102	102	110	42	\$4,500.00
DT10321400111	OD-HR	1:2	ER-32	----	102	102	104	42	\$5,000.00
DT10321400121	OD-HR	1:2	ER-32	1500 PSI	102	102	110	42	\$6,000.00
DT10341400111	OD-HR	2:1	ER-32	----	102	102	104	42	\$5,000.00
DT10341400121	OD-HR	2:1	ER-32	1500 PSI	102	102	110	42	\$6,000.00
DT10110600111	OD	1:1	KM-40	----	90	102	---	42	\$5,500.00
DT10110600121	OD	1:1	KM-40	1500 PSI	90	102	---	42	\$6,500.00
DT10310600111	OD-HR	1:1	KM-40	----	90	102	---	42	\$5,500.00
DT10310600121	OD-HR	1:1	KM-40	1500 PSI	90	102	---	42	\$6,500.00

**NEXUS QUICK TURN SERIES**

**QTN200-II M (MS - MY - MSY)**

**QTN250-II M (MS - MY - MSY)**

LIVE TOOLS



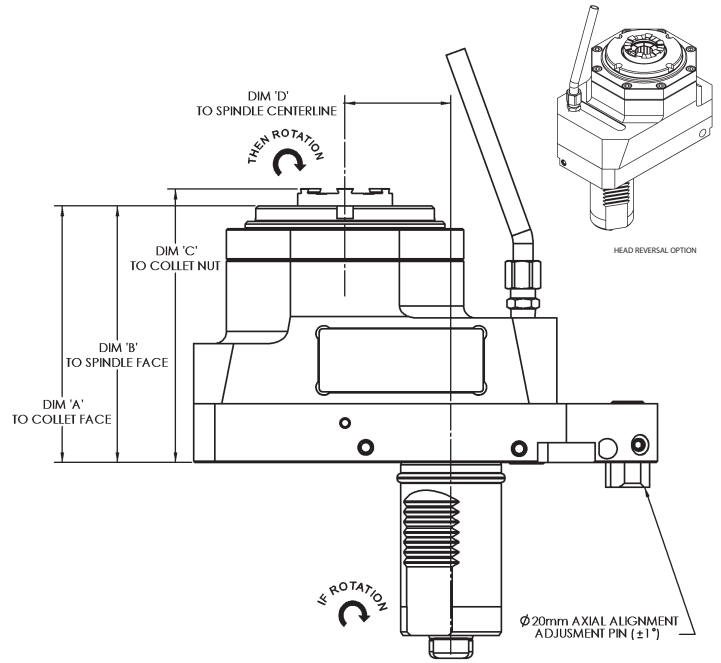
**RIGHT-ANGLE (HORIZONTAL)**

Item Number	Tool Axis	Ratio	Spindle	Internal Coolant	A (mm)	B (mm)	C (mm)	D (mm)	List Price
DT10211400211	FACE	1:1	ER-32	----	50	50	52	130	\$3,500.00
DT10211400221	FACE	1:1	ER-32	1500 PSI	50	50	58	130	\$4,500.00
DT10221400211	FACE	1:2	ER-32	----	50	50	52	130	\$5,000.00
DT10221400221	FACE	1:2	ER-32	1500 PSI	50	50	58	130	\$6,000.00
DT10241400211	FACE	2:1	ER-32	----	50	50	52	130	\$5,000.00
DT10241400221	FACE	2:1	ER-32	1500 PSI	50	50	58	130	\$6,000.00
DT10411400211	FACE-HR	1:1	ER-32	----	50	50	52	130	\$3,500.00
DT10411400221	FACE-HR	1:1	ER-32	1500 PSI	50	50	58	130	\$4,500.00
DT10421400211	FACE-HR	1:2	ER-32	----	50	50	52	130	\$5,000.00
DT10421400221	FACE-HR	1:2	ER-32	1500 PSI	50	50	58	130	\$6,000.00
DT10441400211	FACE-HR	2:1	ER-32	----	50	50	52	130	\$5,000.00
DT10441400221	FACE-HR	2:1	ER-32	1500 PSI	50	50	58	130	\$6,000.00
DT10210600211	FACE	1:1	KM-40	----	28	40	---	130	\$5,500.00
DT10210600221	FACE	1:1	KM-40	1500 PSI	28	40	---	130	\$6,500.00
DT10410600211	FACE-HR	1:1	KM-40	----	28	40	---	130	\$5,500.00
DT10410600221	FACE-HR	1:1	KM-40	1500 PSI	28	40	---	130	\$6,500.00

## NEXUS QUICK TURN SERIES

QTN200-II M (MS - MY - MSY)

QTN250-II M (MS - MY - MSY)



LIVE TOOLS

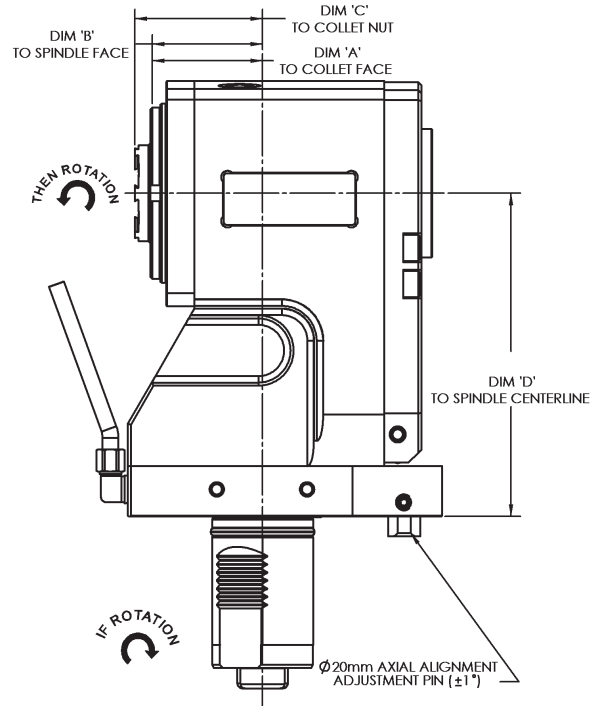
### STRAIGHT-OFFSET (VERTICAL)

Item Number	Tool Axis	Ratio	Spindle	Internal Coolant	A (mm)	B (mm)	C (mm)	D (mm)	List Price
DT10111400211	OD	1:1	ER-32	----	102	102	104	42	\$3,500.00
DT10111400221	OD	1:1	ER-32	1500 PSI	102	102	110	42	\$4,500.00
DT10121400211	OD	1:2	ER-32	----	102	102	104	42	\$5,000.00
DT10121400221	OD	1:2	ER-32	1500 PSI	102	102	110	42	\$6,000.00
DT10141400211	OD	2:1	ER-32	----	102	102	104	42	\$5,000.00
DT10141400221	OD	2:1	ER-32	1500 PSI	102	102	110	42	\$6,000.00
DT10311400211	OD-HR	1:1	ER-32	----	102	102	104	42	\$3,500.00
DT10311400221	OD-HR	1:1	ER-32	1500 PSI	102	102	110	42	\$4,500.00
DT10321400211	OD-HR	1:2	ER-32	----	102	102	104	42	\$5,000.00
DT10321400221	OD-HR	1:2	ER-32	1500 PSI	102	102	110	42	\$6,000.00
DT10341400211	OD-HR	2:1	ER-32	----	102	102	104	42	\$5,000.00
DT10341400221	OD-HR	2:1	ER-32	1500 PSI	102	102	110	42	\$6,000.00
DT10110600211	OD	1:1	KM-40	----	90	102	---	42	\$5,500.00
DT10110600221	OD	1:1	KM-40	1500 PSI	90	102	---	42	\$6,500.00
DT10310600211	OD-HR	1:1	KM-40	----	90	102	---	42	\$5,500.00
DT10310600221	OD-HR	1:1	KM-40	1500 PSI	90	102	---	42	\$6,500.00

**NEXUS QUICK TURN SERIES**

QTN300-II M      QTN350-II M (MY)  
QTN400-II M      QTN450-II M

LIVE TOOLS

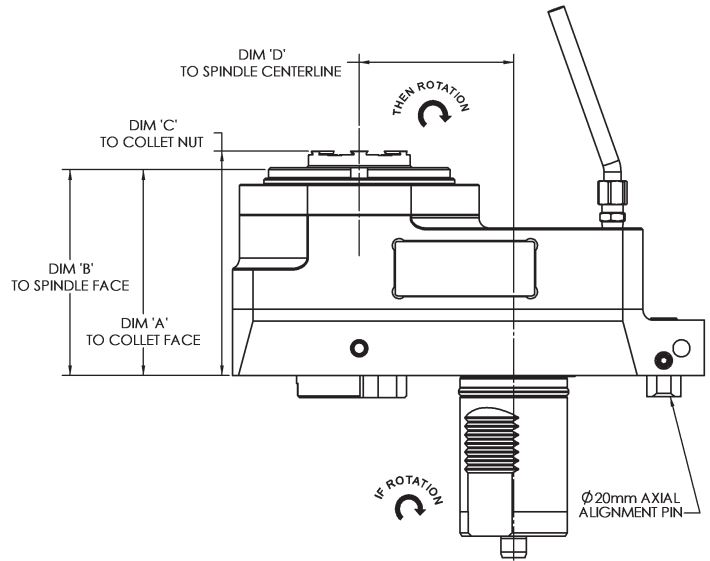
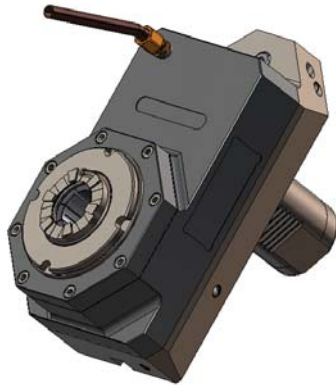


**RIGHT-ANGLE (HORIZONTAL)**

Item Number	Tool Axis	Ratio	Spindle	Internal Coolant	A (mm)	B (mm)	C (mm)	D (mm)	List Price
DT10211500611	FACE	1:1	ER-40	----	55	55	58	160	\$4,500.00
DT10211500621	FACE	1:1	ER-40	1500 PSI	55	55	64	160	\$5,500.00
DT10221500611	FACE	1:2	ER-40	----	55	55	58	160	\$6,000.00
DT10221500621	FACE	1:2	ER-40	1500 PSI	55	55	64	160	\$7,000.00
DT10241500611	FACE	2:1	ER-40	----	55	55	58	160	\$6,000.00
DT10241500621	FACE	2:1	ER-40	1500 PSI	55	55	64	160	\$7,000.00
DT10210500611	FACE	1:1	KM-50	----	32	48	---	160	\$7,500.00
DT10210500621	FACE	1:1	KM-50	1500 PSI	32	48	---	160	\$8,500.00

## NEXUS QUICK TURN SERIES

QTN300-II M    QTN350-II M (MY)  
 QTN400-II M    QTN450-II M



LIVE TOOLS

### STRAIGHT-OFFSET (VERTICAL)

Item Number	Tool Axis	Ratio	Spindle	Internal Coolant	A (mm)	B (mm)	C (mm)	D (mm)	List Price
DT10111500611	OD	1:1	ER-40	----	96	96	99	72	\$4,500.00
DT10111500621	OD	1:1	ER-40	1500 PSI	96	96	105	72	\$5,500.00
DT10121500611	OD	1:2	ER-40	----	96	96	99	72	\$6,000.00
DT10121500621	OD	1:2	ER-40	1500 PSI	96	96	105	72	\$7,000.00
DT10141500611	OD	2:1	ER-40	----	96	96	99	72	\$6,000.00
DT10141500621	OD	2:1	ER-40	1500 PSI	96	96	105	72	\$7,000.00
DT10110500611	OD	1:1	KM-50	----	99	114	---	72	\$7,500.00
DT10110500621	OD	1:1	KM-50	1500 PSI	99	114	---	72	\$8,500.00



# MAZAK

## HYPER QUADREX SERIES MULTIPLEX SERIES QUICK TURN NEXUS SERIES

**Why do over 94% of our test programs result in customer purchases....?**



*Designed, manufactured and supported in the USA for a Mazak customer by a Mazak customer.*



*Your only supplier with over 60 years of gear and bearing expertise combined with over 30 years of hydraulic expertise.*



*All tools are designed to each specific machine as to not limit your equipment's capabilities.*



*Quality high precision spindle bearings (ABEC 7 / P4 minimum) are used for performance, rigidity and durability for smooth operation and long life giving the assurance of solid performance.*



*Maximum use of each machine's turret cone for larger diameter duplex bearings set around the clamping system without interference to neighboring tools.*



*Highest quality seals and o-rings for protection against external contamination. Long-life premium grease for optimum lubrication environment.*



*Recessed spindle configurations reduces the length of moment arm for longer bearing life while maximizing tool lengths.*



*Bodies are made of high quality steels with a one piece base for maximum rigidity and wear resistance. Black oxide coated and/or melonited for a professional finish.*



*Internal and External combination coolant options. High pressure internal coolant option up to 1,500 PSI.*



*Hardened and honed right-angle spiral bevel and spur cut gears provide for long life, high strength and quiet operation.*



*Industry proven ER Tooling System for reliable and controlled machining. Wrenches Included!*



*All tools are packaged with specification sheets, operating instructions and audit-test reports.*



*Kennametal® Modular Quick-Change Tooling System for reliable and efficient tool changes.*



*48 Hour Service on repairs! We have even done them in less than one hour. We understand your urgency as we are a customer too!*

