



OKUMA

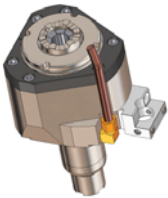
SPACE TURN EX SERIES

LB2000 EX - LB2500 EX - LB3000 EX - LB4000 EX

CAPTAIN SERIES

L370M - L370MW - L470M

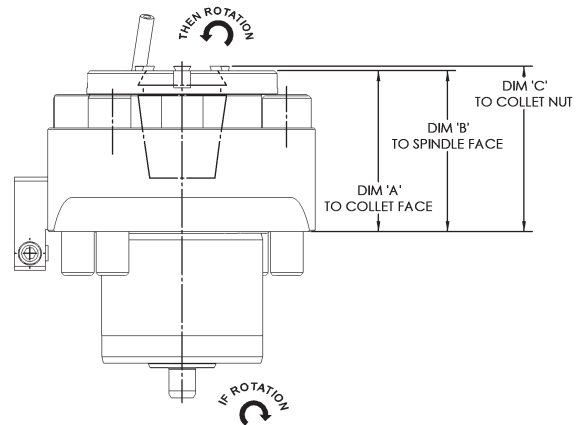
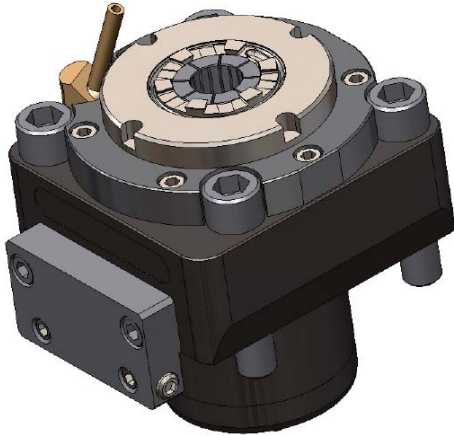
LIVE TOOLS



SPACE TURN EX SERIES

LB2000 EX - LB2500 EX - LB3000 EX - LB4000 EX

LIVE TOOLS



STRAIGHT (SIDE) LB2000 EX, LB2500 EX & LB3000 EX

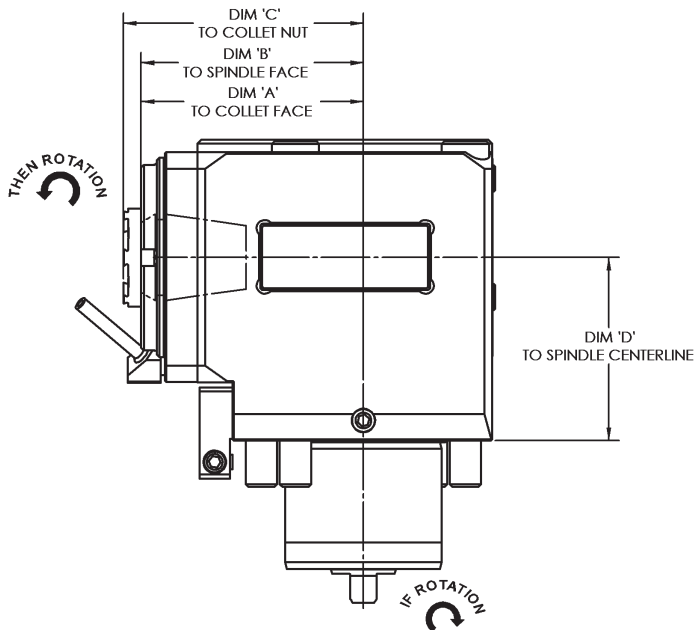
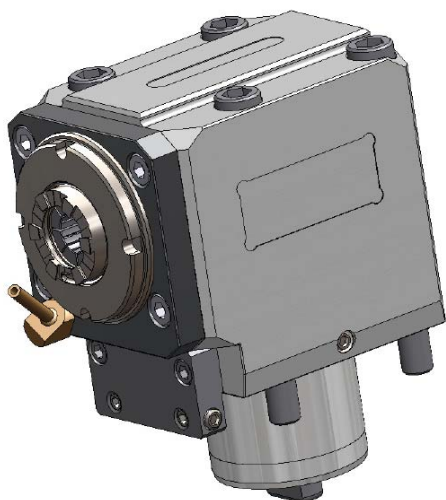
Item Number	Tool Axis	Ratio	Spindle	Internal Coolant	A (mm)	B (mm)	C (mm)	D (mm)	List Price
DT10611403311	SIDE	1:1	ER-32	----	60	60	62	---	\$2,000.00
DT10611403321	SIDE	1:1	ER-32	1500 PSI	85	85	92	---	\$3,500.00
DT10611403323	SIDE	1:1	ER-32	500 PSI	68	68	75	---	\$3,000.00

STRAIGHT (SIDE) LB4000 EX

Item Number	Tool Axis	Ratio	Spindle	Internal Coolant	A (mm)	B (mm)	C (mm)	D (mm)	List Price
DT10611503211	SIDE	1:1	ER-40	----	65	65	67	---	\$2,000.00
DT10611503221	SIDE	1:1	ER-40	1500 PSI	85	85	93	---	\$3,500.00
DT10611503223	SIDE	1:1	ER-40	500 PSI	68	68	76	---	\$3,000.00

SPACE TURN EX SERIES

LB2000 EX - LB2500 EX - LB3000 EX - LB4000 EX



LIVE TOOLS

RIGHT-ANGLE (FACE) LB2000 EX, LB2500 EX & LB3000 EX

Item Number	Tool Axis	Ratio	Spindle	Internal Coolant	A (mm)	B (mm)	C (mm)	D (mm)	List Price
DT10211403311	Face	1:1	ER-32	----	85	85	87	70	\$3,500.00
DT10211403321	Face	1:1	ER-32	1500 PSI	85	85	92	70	\$4,500.00
DT10221403311	Face	1:2	ER-32	----	85	85	87	70	\$5,000.00
DT10221403321	Face	1:2	ER-32	1500 PSI	85	85	92	70	\$6,000.00
DT10241403311	Face	2:1	ER-32	----	85	85	87	70	\$5,000.00
DT10241403321	Face	2:1	ER-32	1500 PSI	85	85	92	70	\$6,000.00

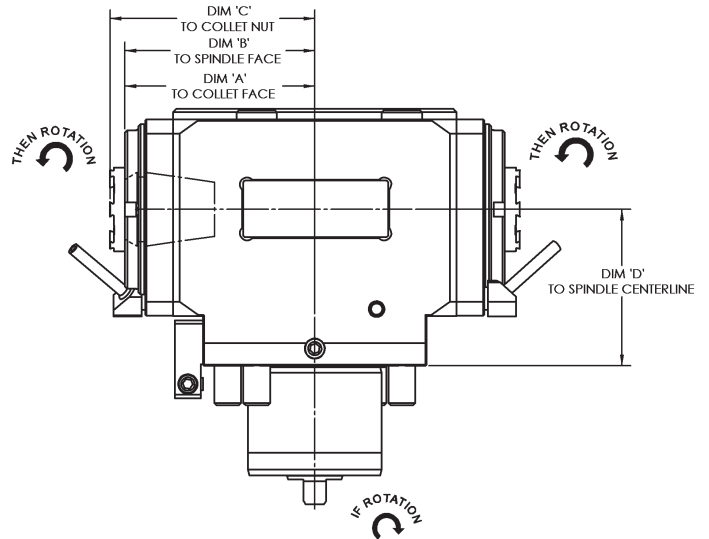
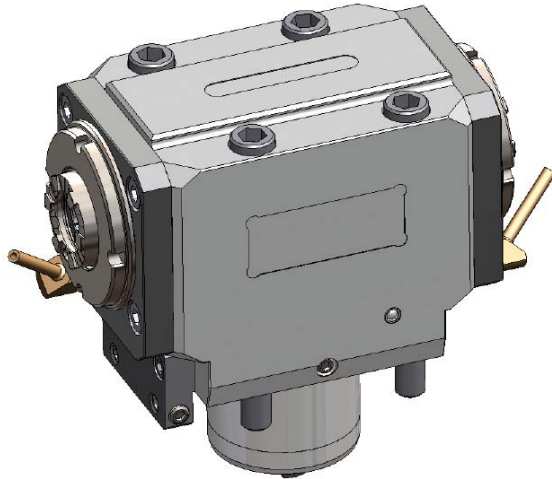
RIGHT-ANGLE (FACE) LB4000 EX

Item Number	Tool Axis	Ratio	Spindle	Internal Coolant	A (mm)	B (mm)	C (mm)	D (mm)	List Price
DT10211503211	Face	1:1	ER-40	----	95	95	98	85	\$3,500.00
DT10211503221	Face	1:1	ER-40	1500 PSI	95	95	104	85	\$4,500.00
DT10221503211	Face	1:2	ER-40	----	95	95	98	85	\$5,000.00
DT10221503221	Face	1:2	ER-40	1500 PSI	95	95	104	85	\$6,000.00
DT10241503211	Face	2:1	ER-40	----	95	95	98	85	\$5,000.00
DT10241503221	Face	2:1	ER-40	1500 PSI	95	95	104	85	\$6,000.00

SPACE TURN EX SERIES

LB2000 EX - LB2500 EX - LB3000 EX - LB4000 EX

LIVE TOOLS



RA DUAL-HEAD (FACE) LB2000 EX, LB2500EX & LB3000 EX

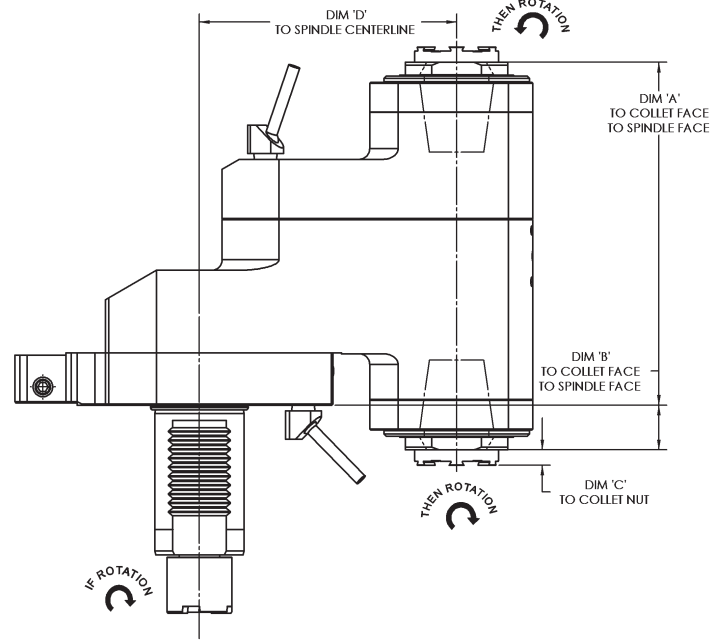
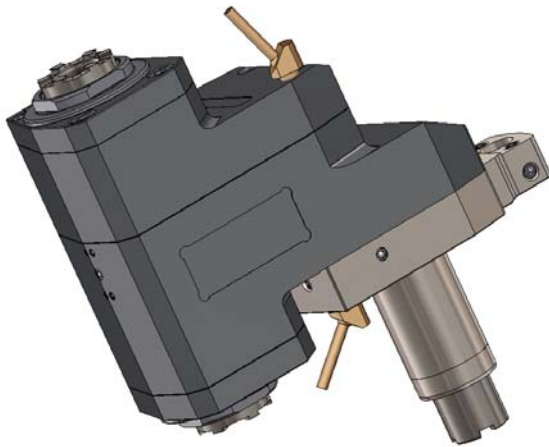
Item Number	Tool Axis	Ratio	Spindle	Internal Coolant	A (mm)	B (mm)	C (mm)	D (mm)	List Price
DT10511403311	Face-Both	1:1	ER-32	----	85	85	87	70	\$5,000.00
DT10511403321	Face-Both	1:1	ER-32	1500 PSI	85	85	92	70	\$6,500.00

RA DUAL-HEAD (FACE) LB4000 EX

Item Number	Tool Axis	Ratio	Spindle	Internal Coolant	A (mm)	B (mm)	C (mm)	D (mm)	List Price
DT10511503211	Face-Both	1:1	ER-40	----	95	95	98	85	\$5,000.00
DT10511503221	Face-Both	1:1	ER-40	1500 PSI	95	95	104	85	\$6,500.00

CAPTAIN SERIES

L370M - L370MW - L470M



LIVE TOOLS

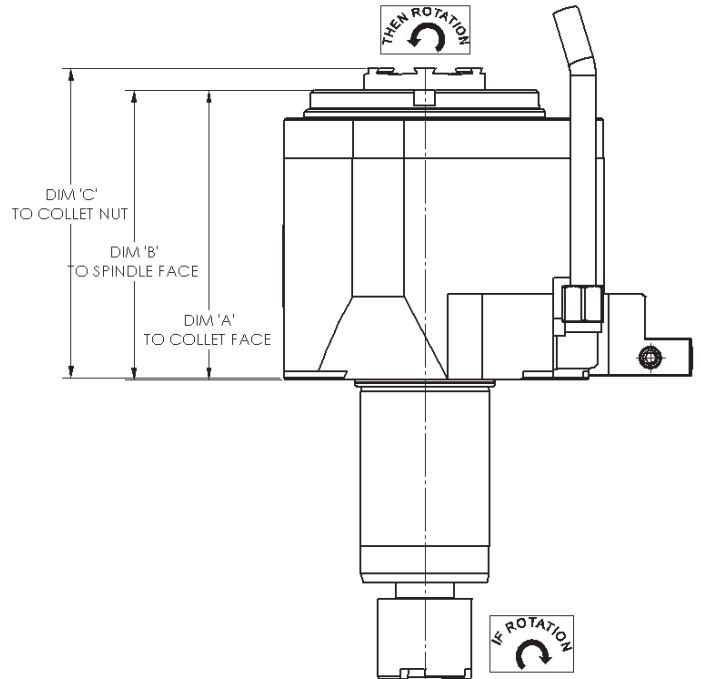
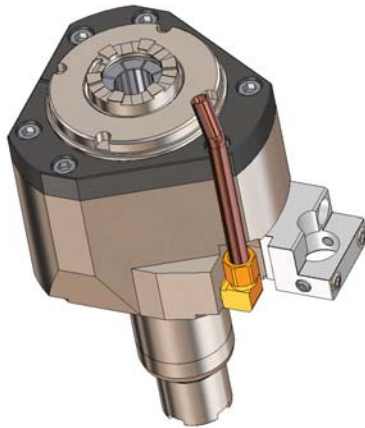
STRAIGHT-OFFSET (FACE) L370MW

Item Number	Tool Axis	Ratio	Spindle	Internal Coolant	A (mm)	B (mm)	C (mm)	D (mm)	List Price
DT10711402811	FACE-BOTH	1:1	ER-32	----	153	20	2	115	\$6,000.00
DT10711402821	FACE-BOTH	1:1	ER-32	1500 PSI	153	20	7	115	\$7,500.00

CAPTAIN SERIES

L370M - L370MW - L470M

LIVE TOOLS



STRAIGHT (FACE) L370M & L370MW

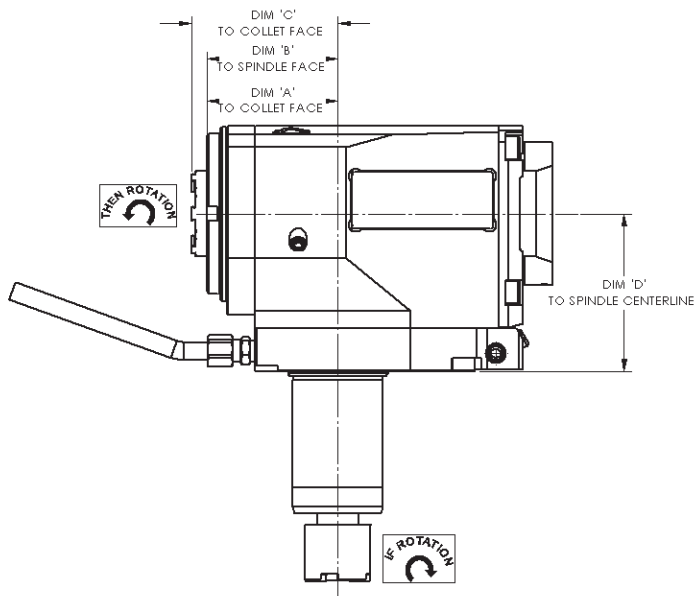
Item Number	Tool Axis	Ratio	Spindle	Internal Coolant	A (mm)	B (mm)	C (mm)	D (mm)	List Price
DT10611402811	FACE	1:1	ER-32	----	63	63	65	---	\$2,000.00
DT10611402821	FACE	1:1	ER-32	1500 PSI	90	90	97	---	\$3,500.00
DT10610602811	FACE	1:1	KM-40	----	56	68	---	---	\$4,000.00
DT10610602821	FACE	1:1	KM-40	1500 PSI	83	95	---	---	\$5,500.00

STRAIGHT (FACE) L470M

Item Number	Tool Axis	Ratio	Spindle	Internal Coolant	A (mm)	B (mm)	C (mm)	D (mm)	List Price
DT10611503011	FACE	1:1	ER-40	----	75	75	78	---	\$2,000.00
DT10611503021	FACE	1:1	ER-40	1500 PSI	100	100	109	---	\$3,500.00
DT10610603011	FACE	1:1	KM-40	----	56	68	---	---	\$4,000.00
DT10610603021	FACE	1:1	KM-40	1500 PSI	83	95	---	---	\$5,500.00

CAPTAIN SERIES

L370M - L370MW - L470M



LIVE TOOLS

RIGHT-ANGLE (SIDE) L370M & L370MW

Item Number	Tool Axis	Ratio	Spindle	Internal Coolant	A (mm)	B (mm)	C (mm)	D (mm)	List Price
DT10211402811	SIDE	1:1	ER-32	----	58	58	60	70	\$3,500.00
DT10211402821	SIDE	1:1	ER-32	1500 PSI	58	58	65	70	\$4,500.00
DT10221402811	SIDE	1:2	ER-32	----	58	58	60	70	\$5,000.00
DT10221402821	SIDE	1:2	ER-32	1500 PSI	58	58	65	70	\$6,000.00
DT10241402811	SIDE	2:1	ER-32	----	58	58	60	70	\$5,000.00
DT10241402821	SIDE	2:1	ER-32	1500 PSI	58	58	65	70	\$6,000.00
DT10210602811	SIDE	1:1	KM-40	----	37	49	---	70	\$5,500.00
DT10210602821	SIDE	1:1	KM-40	1500 PSI	37	49	---	70	\$6,500.00

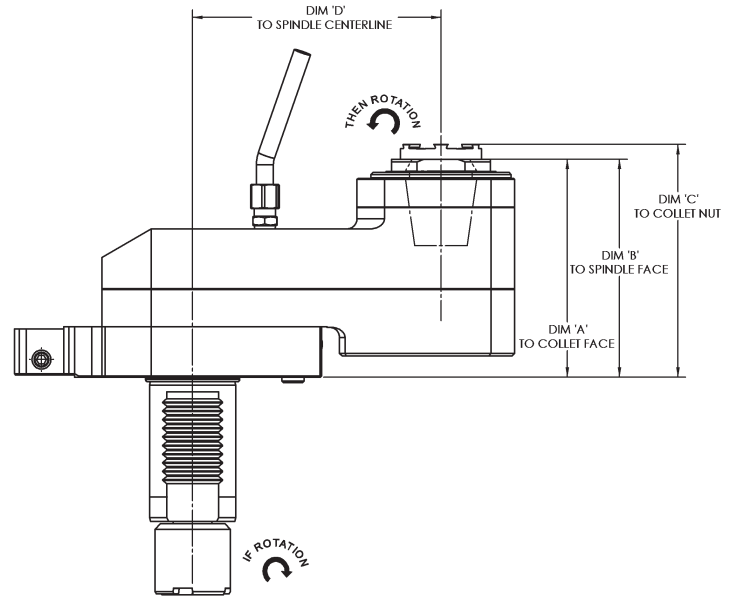
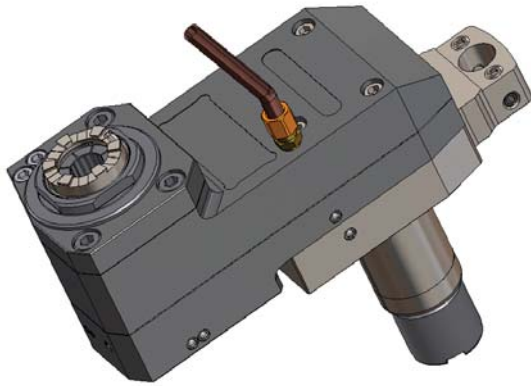
RIGHT-ANGLE (SIDE) L470M

Item Number	Tool Axis	Ratio	Spindle	Internal Coolant	A (mm)	B (mm)	C (mm)	D (mm)	List Price
DT10211503011	SIDE	1:1	ER-40	----	60	60	63	75	\$3,500.00
DT10211503021	SIDE	1:1	ER-40	1500 PSI	60	60	69	75	\$4,500.00
DT10221503011	SIDE	1:2	ER-40	----	60	60	63	75	\$5,000.00
DT10221503021	SIDE	1:2	ER-40	1500 PSI	60	60	69	75	\$6,000.00
DT10241503011	SIDE	2:1	ER-40	----	60	60	63	75	\$5,000.00
DT10241503021	SIDE	2:1	ER-40	1500 PSI	60	60	69	75	\$6,000.00
DT10210603011	SIDE	1:1	KM-40	----	37	49	---	75	\$5,500.00
DT10210603021	SIDE	1:1	KM-40	1500 PSI	37	49	---	75	\$6,500.00

CAPTAIN SERIES

L370M - L370MW - L470M

LIVE TOOLS



STRAIGHT-OFFSET (FACE) L370M & L370MW

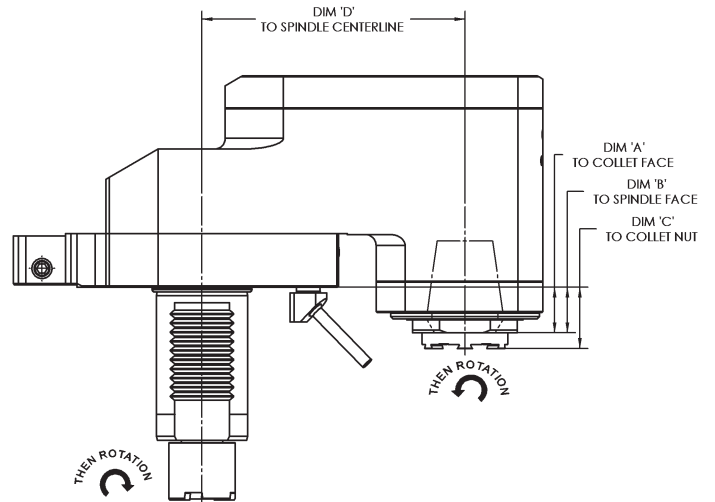
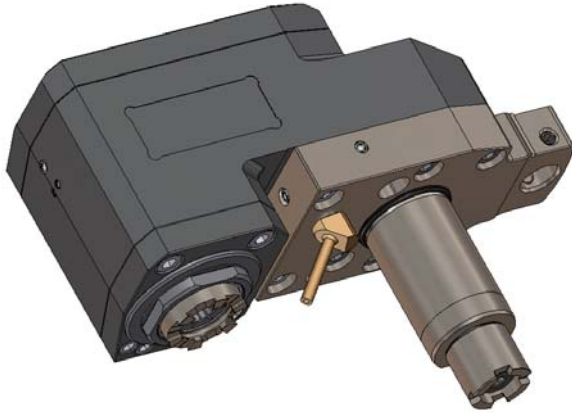
Item Number	Tool Axis	Ratio	Spindle	Internal Coolant	A (mm)	B (mm)	C (mm)	D (mm)	List Price
DT10111402811	FACE-FRONT	1:1	ER-32	----	100	100	102	115	\$4,500.00
DT10111402821	FACE-FRONT	1:1	ER-32	1500 PSI	100	100	107	115	\$5,500.00

STRAIGHT-OFFSET (FACE) L470M

Item Number	Tool Axis	Ratio	Spindle	Internal Coolant	A (mm)	B (mm)	C (mm)	D (mm)	List Price
DT10111403011	FACE-FRONT	1:1	ER-32	----	100	100	102	115	\$4,500.00
DT10111403021	FACE-FRONT	1:1	ER-32	1500 PSI	100	100	107	115	\$5,500.00

CAPTAIN SERIES

L370M - L370MW - L470M



LIVE TOOLS

STRAIGHT-OFFSET (FACE) L370MW

Item Number	Tool Axis	Ratio	Spindle	Internal Coolant	A (mm)	B (mm)	C (mm)	D (mm)	List Price
DT10811402811	FACE-BACK	1:1	ER-32	----	20	20	22	115	\$4,500.00
DT10811402821	FACE-BACK	1:1	ER-32	1500 PSI	20	20	27	115	\$5,500.00



OKUMA

SPACE TURN EX SERIES

LB2000 EX - LB2500 EX - LB3000 EX - LB4000 EX

CAPTAIN SERIES

L370M - L370MW - L470M

Why do over 94% of our test programs result in customer purchases....?

VON RUDEN *Designed, manufactured and supported in the USA for an Okuma customer by an Okuma customer.*

VON RUDEN *Your only supplier with over 60 years of gear and bearing expertise combined with over 30 years of hydraulic expertise.*

VON RUDEN *All tools are designed to each specific machine as to not limit your equipment's capabilities.*

VON RUDEN *Quality high precision spindle bearings (ABEC 7 / P4 minimum) are used for performance, rigidity and durability for smooth operation and long life giving the assurance of solid performance.*

VON RUDEN *Maximum use of each machine's turret cone for larger diameter duplex bearings set around the clamping system without interference to neighboring tools.*

VON RUDEN *Highest quality seals and o-rings for protection against external contamination. Long-life premium grease for optimum lubrication environment.*

VON RUDEN *Recessed spindle configurations reduces the length of moment arm for longer bearing life while maximizing tool lengths.*

VON RUDEN *Bodies are made of high quality steels with a one piece base for maximum rigidity and wear resistance. Black oxide coated and/or melonited for a professional finish.*

VON RUDEN *Internal and External combination coolant options. High pressure internal coolant options up to 1,500 PSI.*

VON RUDEN *Hardened and honed right-angle spiral bevel and spur cut gears provide for long life, high strength and quiet operation.*

VON RUDEN *Industry proven ER Tooling System for reliable and controlled machining. Wrenches Included!*

VON RUDEN *All tools are packaged with specification sheets, operating instructions and audit-test reports.*

VON RUDEN *Kennametal® Modular Quick-Change Tooling System for reliable and efficient tool changes.*

VON RUDEN *48 Hour Service on repairs! We have even done them in less than one hour. We understand your urgency as we are a customer too!*

