

# PARTS LIST

ITEM NO.	Default/QTY.	PART NUMBER	DESCRIPTION
1	1	16FJX-16FJX-MP-51.9"	HOSE HYD, -16 JIC COD 62 X -16 JIC CODE 62-51.9"
2	1	16MJ-16MB90	HYD, -16 SAE X -16 JIC MALE, 90DEG
3	1	16MJ-16MB	HYD FIT, -16 SAE X -16 JIC, STRAIGHT
4	1	16FJX-16FLH90-HP-34.3"	HOSE HYD, -16 JIC CODE 62 X -16 FLANGE CODE 62, 90 DEG
5	2	16SF XO	HYD FIT, 1 IN CODE 62 SPLIT FLANGE KIT
6	6	16SF O	HYD FIT, 1 IN CODE 61 SPLIT FLANGE KIT
7	2	AS-16-GP	HYD FIT, -16 CODE 61 GAGE SPACER BLOCK
8	1	16FJX-16FLH90-HP-34.8"	HOSE HYD, -16 JIC COD 62 X -16 FLANGE CODE 62
9	1	6JFX-6JFX-HP-63.3"	HOSE HYD, -6 JIC CODE 62 X -6 JIC CODE 62 - 63.3"
10	5	6MJ-6MB45	HYD FIT, -6 SAE X -6 JIC, 45 DEG
11	2	6MJ-4FP90	HYD FIT, -6 MALE SAE CODE 61 -4 FEMALE PIPE, 90 DEG
12	1	6FJX-6FJX-HP-22.7"	HOSE HYD, -6 JIC CODE 62 X -6 JIC CODE 62 - 22.7"
13	3	6MJ-6MB90	HYD FIT, -6 SAE X -6 JIC, 90 DEG
14	1	6FJX-6FJX-HP-23.7"	HOSE HYD, -6 JIC CODE 62 X -6 JIC CODE 62 - 23.7"
15	1	6FJX-6FJX-HP-57.3"	HOSE HYD, -6 JIC CODE 62 X -6 JIC CODE 62 - 57.3"
16	1	6FJX-6FJX-LP-20.3"	HOSE HYD, -6 JIC CODE 62 X -6 JIC CODE 62 - 20.3"
17	1	6MJ-6MP	HYD FIT, -6 MALE SAE X -6 MALE PIPE
18	1	6FJX-6FJX-HP-71.3"	HOSE HYD, -6 JIC CODE 62 X -6 JIC CODE 62 - 71.3"
19	2	6MJ-4MB90	HYD FIT, -6 JIC X -4 SAE, 90 DEG
20	1	12FJX-12FJX-LP-16.3"	HOSE HYD, -12 JIC CODE 62 X -12 JIC CODE 62-16.3"
21	2	12MJ-12MP	HYD FIT, -12 JIC X 3/4 NPT, STR
22	1	12MJ-10MB	HYD FIT, -12 JIC MALE X -10 SAE MALE
23	1	12FJX-12FJX-LP-22"	HOSE HYD, -12 JIC CODE 62 X -12 JIC CODE 62-22"
24	1	12MJ-10MB45	HYD FIT, -12 JIC X -10 SAE, 45DEG
25	1	16FL-16FJX-LP-19.23"	HOSE HYD, -16 FEM CODE 61 X -16 JIC CODE 61-19.23"
26	2	16MJ-16FL45	HYD FIT, -16 JIC MALE X -16 SAE FLANGE, 45 DEG
27	1	24FJX-24FL90-LP-41.37"	HOSE HYD, -24 JIC CODE 62 X -24 FLANGE, 90 DEG
28	1	24SFO	HYD FIT, 2 IN CODE 62 SPLIT FLANGE KIT
29	1	24MJ-24MB45	HYD FIT, -24 JIC MALE X -24 SAE MALE, 45 DEG
30	1	13217	HOSE, HYD - Ø2-1/2 IN, TANK TO PUMP 1 SUCTION
31	1	13225	HOSE HYD, Ø2-1/2 IN, TANK TO PUMP 2 SUCTION
32	1	6FJX-6FJX-HP-99.8"	HOSE HYD, -6 JIC CODE 62 X -6 JIC CODE 62 - 99.8"
33	1	6FJX-6FJX90-HP-23.25"	HOSE HYD, -6 JIC CODE 62 X -6 JIC CODE 62, 90 DEG
34	1	6MJ-8MB45	HYD FIT, -8 SAE X -6 JIC, 45 DEG
35	1	6FJX-6FJX-LP-27.7"	HOSE HYD, -6 JIC CODE 62 X -6 JIC CODE 62 - 27.7"
36	8	13098	CLAMP PAIR, 26.9MM
37	2	13099	TOP PLATE FOR 26.9MM CLAMP PAIR
38	8	12831	CLAMP PAIR, FOR -6 HYD HOSE
39	2	12830	CLAMP TOP PLATE, FOR -6 HYD HOSE
40	2	12825	HYD FIT, GAGE QD X 1/4 NPT MALE, 5000PSI

DWG. NO.  
13023

SHEET  
1 OF 2  
REV  
A

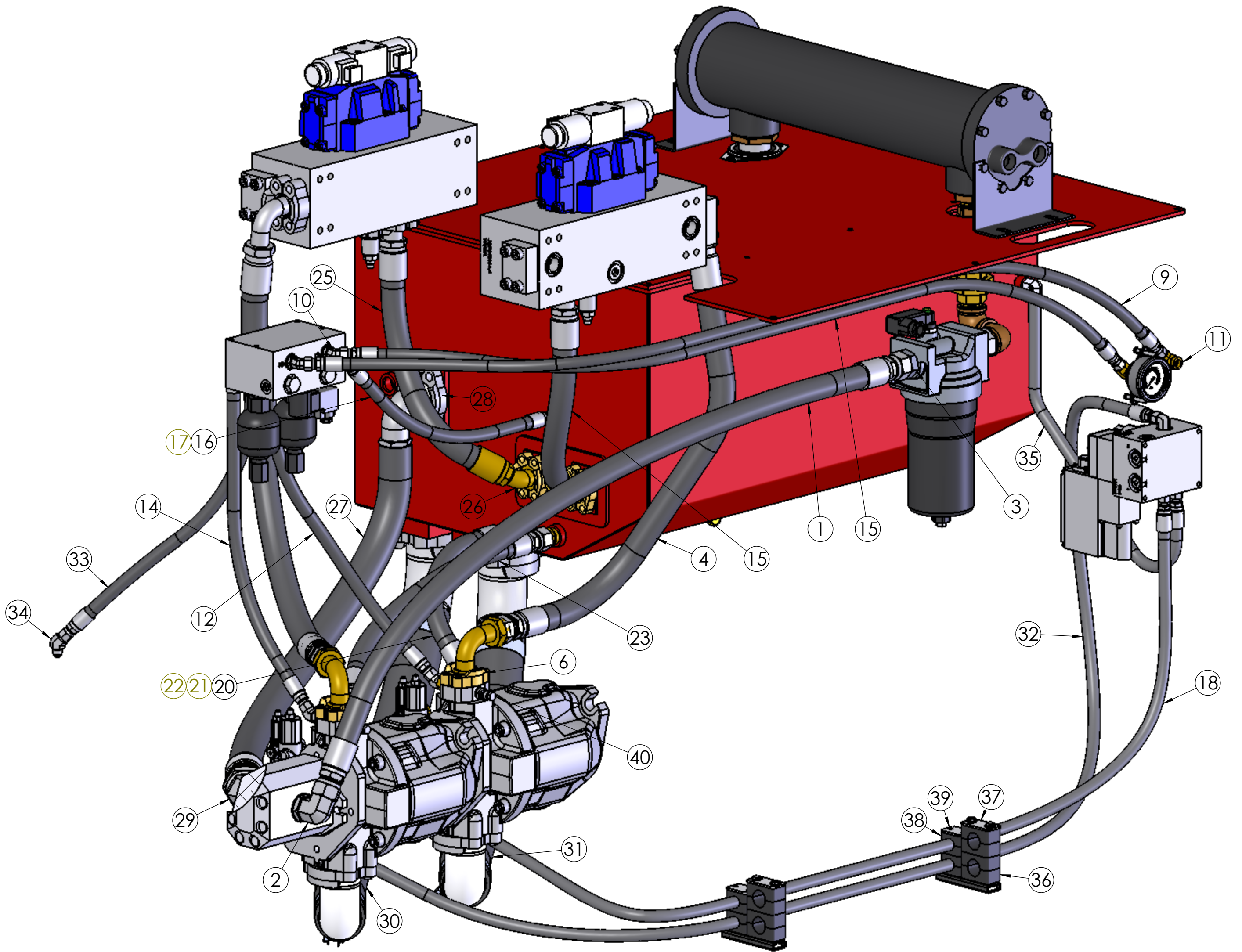


309 5TH AVENUE NW PHONE: 651-294-8600  
NEW BRIGHTON, MN 55112 FAX: 651-294-8620  
EMAIL: INFO@ACCUSTREAM.COM  
WEB: WWW.ACCUSTREAM.COM

**HIGHLY CONFIDENTIAL  
PROPRIETARY INFORMATION**

TITLE:  
AS-60100 HYD HOSE AND FITTINGS LIST

ALL DATA AND INFORMATION ON THIS  
DOCUMENT IS FOR THE SOLE USE OF  
ACCUSTREAM AND ITS LICENSEES AND  
MAY NOT BE USED WITHOUT PERMISSION



DWG. NO.  
13023

SHEET  
2 OF 2  
REV  
A



309 5TH AVENUE NW PHONE: 651-294-8600  
NEW BRIGHTON, MN 55112 FAX: 651-294-8620  
EMAIL: INFO@ACCUSTREAM.COM  
WEB: WWW.ACCUSTREAM.COM

**HIGHLY CONFIDENTIAL  
PROPRIETARY INFORMATION**

TITLE:  
AS-60100 HYD HOSE AND FITTINGS LIST

ALL DATA AND INFORMATION ON THIS DOCUMENT IS FOR THE SOLE USE OF ACCUSTREAM AND ITS LICENSEES AND MAY NOT BE USED WITHOUT PERMISSION