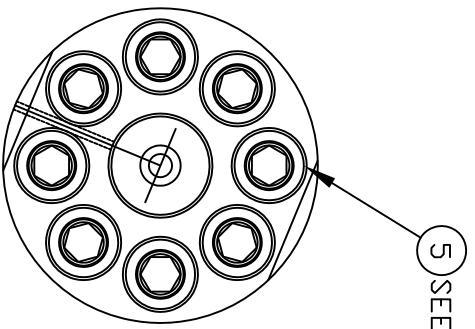
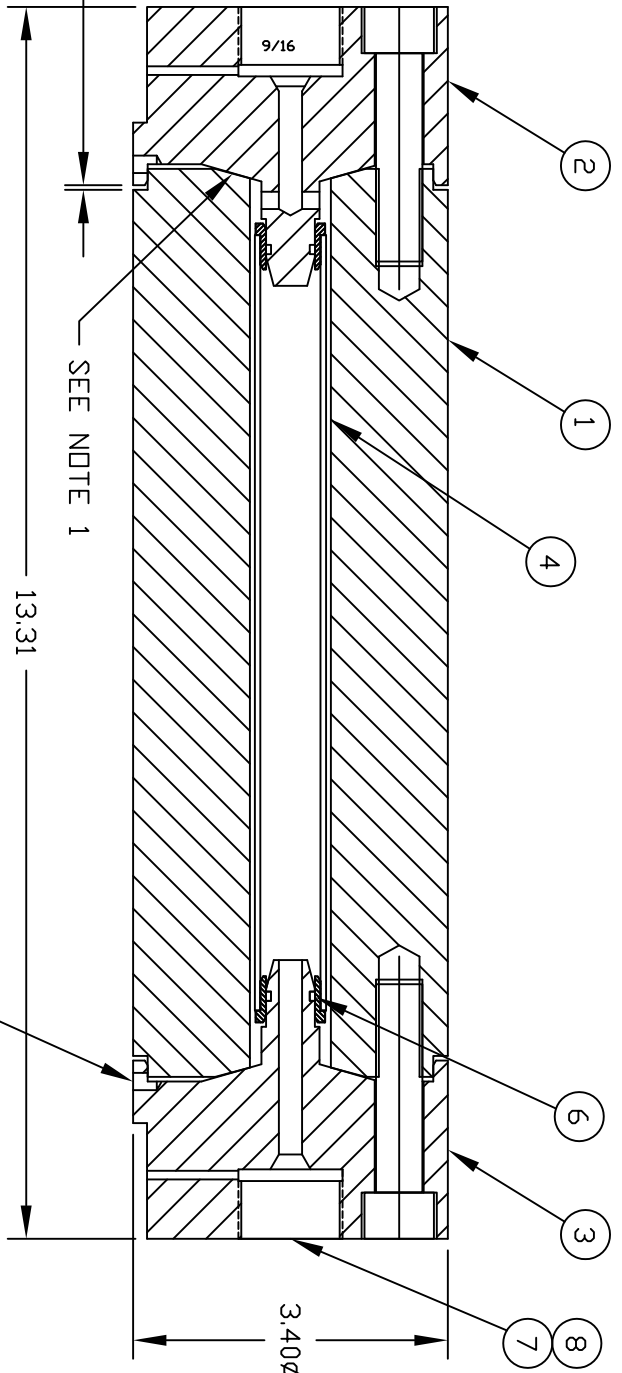


REV.	DESCRIPTION	DATE



5 SEE NOTE 2



SEE NOTE 2

SEE NOTE 1

13.31

3.40 $\phi$

WEEP HOLES ON BOTTOM

- NOTES:
1. APPLY BLUE GOOP TO CONTACT SURFACES.
  2. APPLY LITHIUM GREASE TO THREADS AND UNDER HEADS OF CAP SCREWS. TORQUE TO 60 FT-LBS WHILE MAINTAINING EQUAL GAP BETWEEN CAP AND HOUSING.

FILE NAME

HIGHLY CONFIDENTIAL  
PROPRIETARY INFORMATION

ALL DATA AND INFORMATION ON THIS DOCUMENT IS FOR THE SOLE USE OF FETTECH INC. AND ITS LICENSEES AND MAY NOT BE USED WITHOUT PERMISSION

BREAK AND DEBURR  
ALL EDGES .015 MAX  
UNLESS OTHERWISE NOTED

**AccuStream**  
waterjet products

AccuStream, Inc.  
309 5th Avenue NW  
New Brighton, MN 55112  
E-Mail: info@accustream.com

Phone: 651-294-8600  
Fax: 651-294-8620

DATE 8/27/09

DATE DATE DATE

CHK'D. APP'D.

MATERIAL SEE ABOVE

HARDNESS

8/27/09

DATE DATE DATE

DATE DATE DATE

TITLE: 9/16 60K  
FILTER ASSY

SHEET 1 OF 1

SCALE

FINISH 64/

DWG NO. 13285

REV A

# Parts List



Phone: 651-294-8600  
www.accustream.com  
sales@accustream.com

**Part No. : 13285**

**Description: 9/16 60k High Flow Filter Assy**

**Revision: A**

---

<u>Item</u>	<u>Qty</u>	<u>U/M</u>	<u>Part No.</u>	<u>Assy</u>	<u>Description</u>
1	1	EA	13286	N	9/16 HP Filter Housing
2	1	EA	13287	N	9/16 HP Filter Inlet Cap
3	1	EA	13288	N	9/16 HP Filter Outlet Cap
4	1	EA	13222	N	Filter Assy, .77od x 8.62
5	16	EA	1/2-20 X 2-1/4	N	SHCS GR8 YZ
6	2	EA	11679-012	N	ORING, 70 DURO, -012
7	2	EA	13158-60-9	N	9/16" HP GLAND
8	2	EA	13157-60-9	N	9/16" HP COLLAR

---