

# Parts List



Phone: 651-294-8600  
www.accustream.com  
sales@accustream.com

**Part No. : 12590**

**Description: Calypso Short Block Assembly**

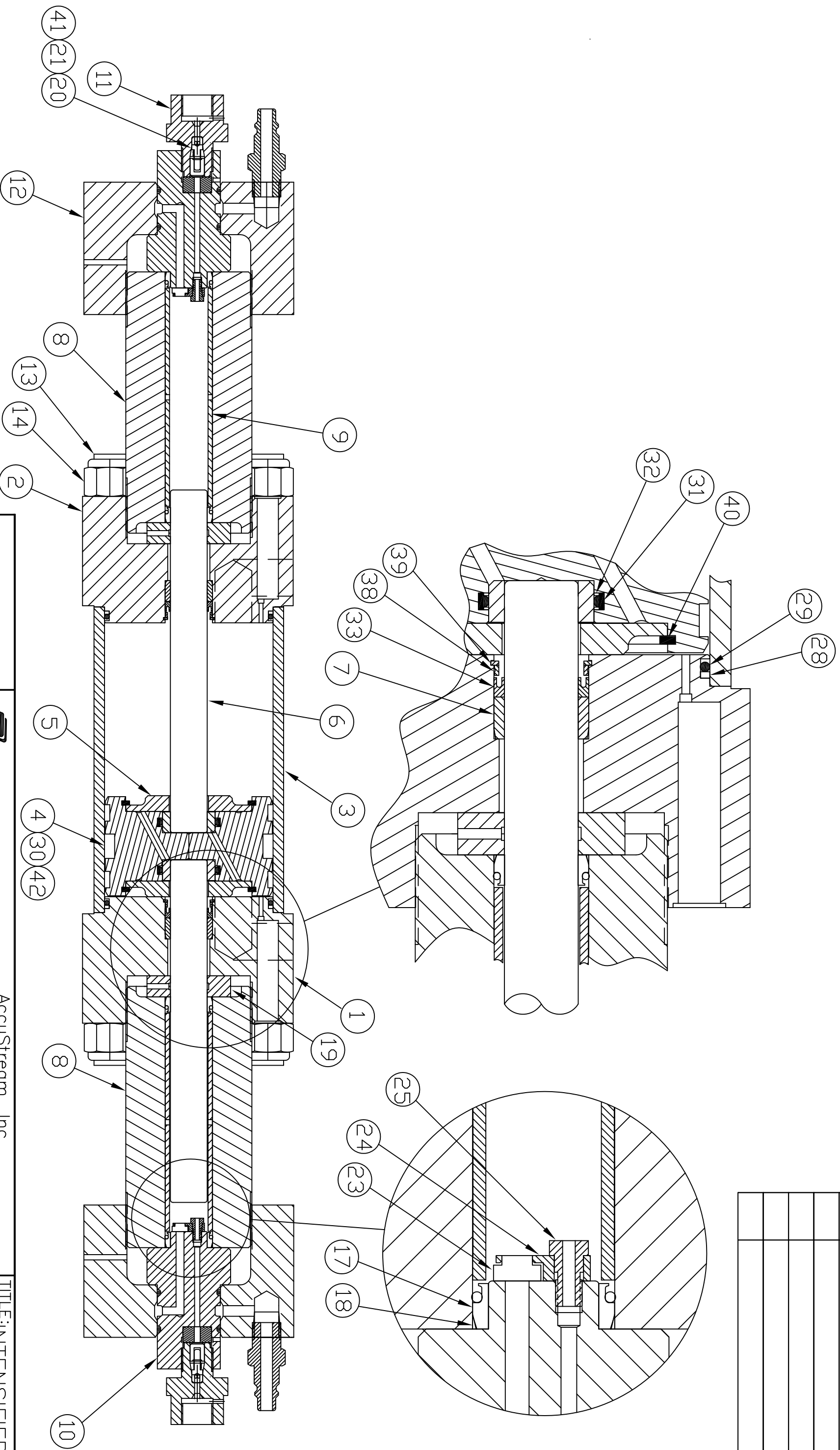
## Revision:

---

<u>Item</u>	<u>Qty</u>	<u>U/M</u>	<u>Part No.</u>	<u>Assy</u>	<u>Description</u>
1	1	EA	12362	N	FL Short Block/KMTCV
2	2	EA	12378	N	Actuator Assy Electronic Shift
3	2	EA	12821	N	SHIFT SENSOR ASSY, FL EL SHIFT

---

REV	DESCRIPTION	DATE



NOTES: USE 4 3/8-16 X 2.5 SHCS TO ATTACH MANIFOLD TO INTENSIFIER.

FILE NAME

HIGHLY CONFIDENTIAL  
 PROPERTY INFORMATION

ALL DATA AND INFORMATION ON THIS DOCUMENT IS FOR THE SOLE USE OF ACCUSTREAM AND ITS LICENSEES AND MAY NOT BE USED WITHOUT PERMISSION UNLESS OTHERWISE NOTED

AccuStream, Inc.  
 309 5th Avenue NW  
 New Brighton, MN 55112  
 Phone: 651-294-8600  
 Fax: 651-294-8620  
 email: info@accustream.com

AccuStream, Inc.  
 WaterJet Products  
 © AccuStream, Inc. 2008

TITLE: INTENSIFIER ASSY  
 FL W/KMT CV

BREAK AND DEBURR  
 ALL EDGES .015 MAX  
 UNLESS OTHERWISE NOTED

-TOLERANCES-  
 UNLESS OTHERWISE NOTED  
 DIMENSIONS IN INCHES  
 1 Place Decimal ± .05  
 2 Place Decimal ± .015  
 3 Place Decimal ± .005  
 Angles ± 1°

MATERIAL SEE PL  
 HARDNESS

SHEET 1 OF 2  
 SCALE  
 FINISH 64/  
 REV A

DWG NO.  
**12362**



## Parts List

PART NO: 12362

DESC: INTENSIFIER ASSEMBLY

FL SHORT BLOCK + KMT CV

ITM	QTY	P/N	DESCRIPTION
1	1	11432	RIGHT END BELL ASSY, 60KSI
2	1	11433	LEFT END BELL ASSY, 60KSI
3	1	12599	LOW PRESSURE CYLINDER
4	1	12349	HYDRAULIC PISTON
5	2	11437	PLUNGER RETAINER
6	2	11309	PLUNGER ASSY
7	REF	11434	PLUNGER BEARING
8	2	11117	HIGH PRESSURE CYLINDER
9	2	11365	SEAL SLEEVE
10	2	11115	CHECK VALVE BODY
11	2	12363	OUTLET BODY
12	2	11420	HIGH PRESSURE END CAP
13	4	11471	TIE ROD
14	8	11472	HEX NUT 3/4-16 GR8 NYLOCK
17	4	11076	HIGH PRESSURE SEAL W/ ORING
18	4	11077	SEAL BACK-UP HOOP
19	2	11134	BRONZE BACK-UP
20	2	11330	POPPET SPRING
21	2	11265	OUTLET POPPET
22	2	11230	INSERT
23	2	11229	INLET POPPET
24	2	11232	INLET POPPET HOUSING
25	2	11233	RETAINING SCREW
28	2	12366	O-RING BACKUP, POLYTEMP
29	2	-240	O-RING 70 BUNA
30	1	12365	PISTON SEAL, CAPPED T SEAL
31	2	12367	T-SEAL, ROD
32	4	12368	N9002 BACK-UP
33	2	12369	ROD SEAL
34	4	-125	70 BUNA ORING
35	2	-023	90 BUNA ORING (NOT SHOWN) MANIFOLD TO END BELL
38	2	11468	SPACER, ROD SEAL
39	2	12370	SNAP RING
40	2	12371	SNAP RING
41	2	11315	POPPET GUIDE
42	2	12364	WEAR RING

# Parts List



Phone: 651-294-8600  
www.accustream.com  
sales@accustream.com

**Part No. : 11135**

**Description: HP Seal Kit, 60K**

**Revision: A**

---

<u>Item</u>	<u>Qty</u>	<u>U/M</u>	<u>Part No.</u>	<u>Assy</u>	<u>Description</u>
1	4	EA	11077	N	Hoop for .875, JE
2	4	EA	11076	N	HP Seal .875 ,
3	2	EA	11134	N	Bronze Backup - Flow
4	1	EA	11447	N	5 Gram High Vacuum Grease

---

# Parts List



Phone: 651-294-8600  
www.accustream.com  
sales@accustream.com

**Part No. : 12656**

**Description: Check Valve Repair Kit-FL/KMT**

## Revision:

---

Item	Qty	U/M	Part No.	Assy	Description
1	1	EA	11229	N	Inlet Poppet
2	1	EA	11230	N	Insert
3	1	EA	11232	N	Inlet Poppet Housing
4	1	EA	11233	N	Retaining Screw
5	1	EA	11315	N	HP POPPET GUIDE - SLIV
6	1	EA	11265	N	High Pressure Poppet- SLIV
7	1	EA	11330	N	Compression Spring-HP-SLIV
8	2	EA	11679-125	N	ORING, 70 DURO, -125

---