



COMPLETE METALWORKING SOLUTIONS

(800) 991-4225

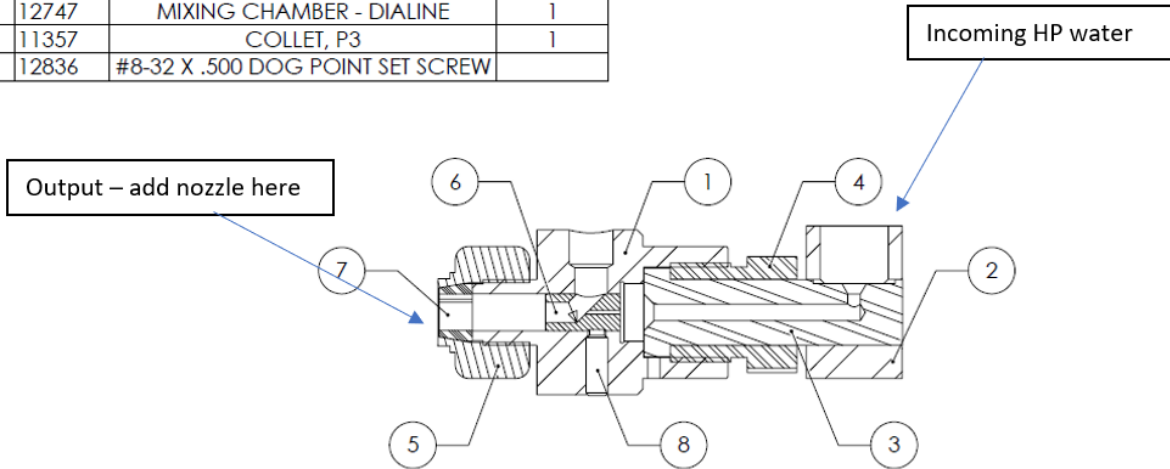
www.ahbinc.com

ISO Certified

customerservice@ahbinc.com

ITEM NO.	PART NUMBER	DESCRIPTION	QTY.
1	14911	.281 DIALINE SMALL NUT	1
2	12935	INLET COLLAR RA DIALINE	1
3	12934	INLET CONNECTOR RA DIALINE	1
4	12936	INLET GLAND NUT RA DIALINE	1
5	14361	NUT FOR RA DIALINE 1/2-20 THD	1
6	12747	MIXING CHAMBER - DIALINE	1
7	11357	COLLET, P3	1
8	12836	#8-32 X .500 DOG POINT SET SCREW	

REVISIONS	
REV.	DESCRIPTION
A	RELEASED IN SOLIDWORKS



(800) 991-4225

www.ahbinc.com • customerservice@ahbinc.com

ISO Certified