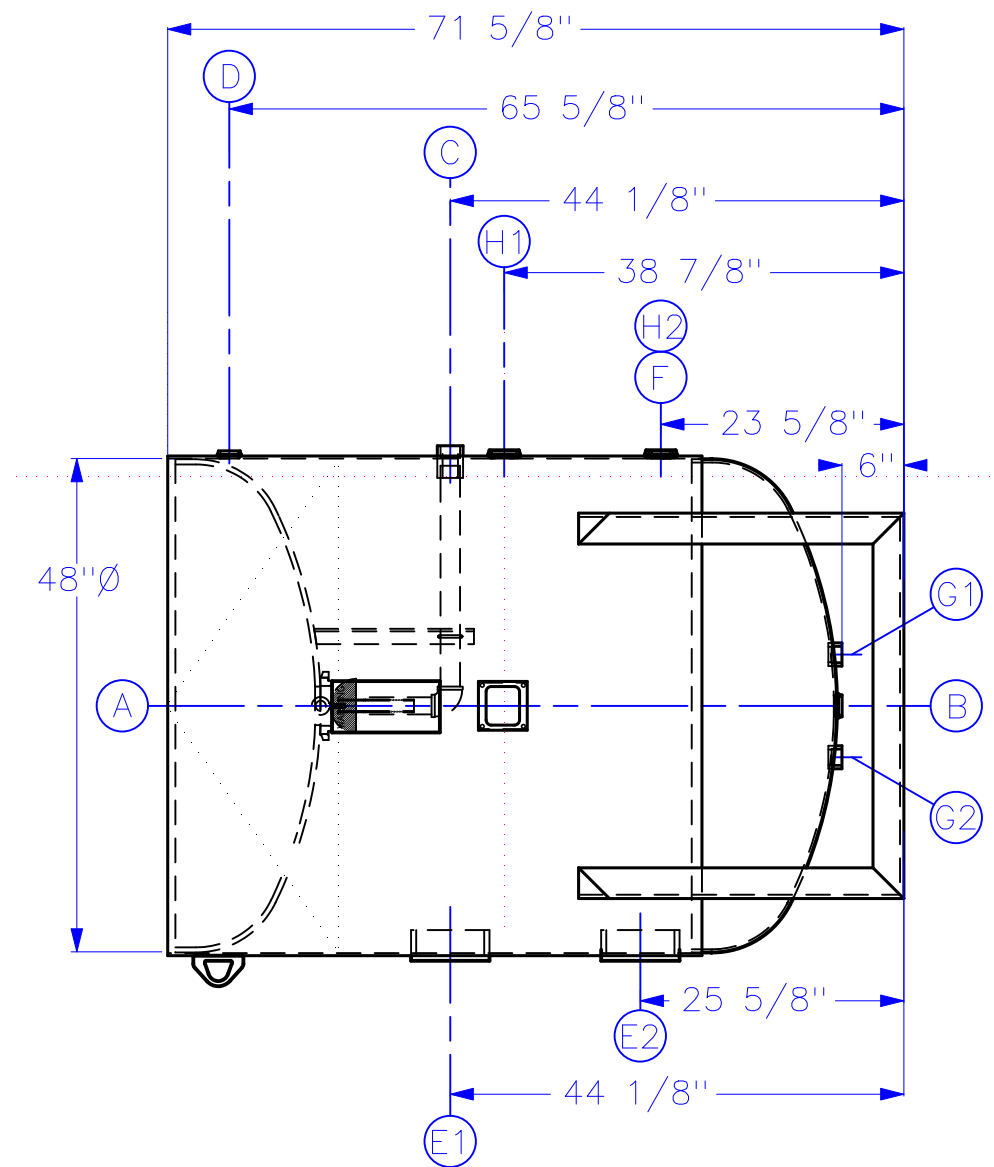


ORIENTATION VIEW



ELEVATION VIEW

A	MEDIA INLET	3 3/4"
B	MEDIA OUTLET	1 1/4" TANK FLNG
C	AIR INLET	1 1/2" FULL CPLG
D	BLOWDOWN	1 1/4" TANK FLNG
E1-2	HANDWAY	6" x 8"
F	LEVEL SENSOR	1 1/4" TANK FLNG
G1-2	MEDIA OUTLET	1 1/4" HALF CPLG
H1-2	SIGHT GLASS	2" TANK FLNG

8548-000-08
50 C.F. 3-OUTLET VESSEL

PROPRIETARY INFORMATION

DESIGN INFORMATION CONTAINED HEREIN IS PROPRIETARY AND CONFIDENTIAL AND THE EXCLUSIVE PROPERTY OF AXIOM MANUFACTURING, INC. NO PORTION OF ANY DESIGN INFORMATION CONTAINED HEREIN MAY BE USED BY, OR DISCLOSED TO UNAUTHORIZED PERSONNEL WITHOUT THE EXPRESSED WRITTEN CONSENT OF AXIOM MANUFACTURING, INC.

AXIOM MANUFACTURING, INC.

EXCLUSIVE MANUFACTURER OF SCHMIDT® PRODUCTS