

Waterjet Replacement Parts Catalog

Replacement Parts for:

Flow™ • KMT™ • Jet Edge® • Omax® • Waterjet Service, Inc. (WSI)



CYCLONE
ABRASIVE REMOVAL SYSTEM



NOW
FEATURING
ABRASIVE
REMOVAL
SYSTEMS
& PUMPS!



iP60-100S
INTENSIFIER PUMP



*Supplying parts for leading water jet equipment.
Helping customers reduce downtime and increase productivity.
Providing exceptional personal service.*

USA/Canada: 763.497.8749 | Toll Free: 1.888.497.8749

www.chukarwaterjet.com

St. Michael, Minnesota 55376 USA

Table of Contents

Cyclone Abrasive Removal System	New in 2011!!	Page 2
Chukar iP60-100S Intensifier Pump	New in 2011!!	Page 3
Waterjet Bricks		Page 4
HP Tubing & Stainless Steel Fittings*		
Adapters, Elbows, Tees, Etc...		Page 5
Replacement Parts for Bystronic Equipment		
UHP Pump Parts		Page 7
Check Valve Parts		Page 7
On/Off Valve & Cutting Head Parts		Page 8
Nozzles		Page 8
Replacement Parts for Flow™ International Equipment		
UHP Pump Parts		Page 9
Check Valve Parts		Page 12
Bleed Down Parts		Page 14
On/Off Valve & Cutting Head Parts		Page 15
Nozzles (Focusing Tubes)		Page 20
Orifices		Page 22
Swivel Parts		Page 23
Miscellaneous		Page 25
Replacement Parts for KMT Waterjet Systems™/ IR Equipment		
UHP Pump		Page 27
Check Valve Parts (Seal Head)		Page 29
On/Off Valve & Cutting Head Parts		Page 31
Nozzles (Focusing Tubes)		Page 32
Orifices		Page 33
Swivels		Page 34
Replacement Parts for Jet Edge®, Inc. Equipment		
1" Intensifier Pump Parts		Page 35
1" Check Valve Repair Parts		Page 38
UHP Bleed Down Parts		Page 39
7/8" Intensifier Pump Parts		Page 41
7/8" Check Valve Repair Parts		Page 42
Permalign II Cutting Head/Cutting Head Parts		Page 44
Why Permalign II? Information page added		Page 45
Dual Pressure Valve		Page 48
Nozzles (Focusing Tubes)		Page 50
Orifices		Page 51
Swivels		Page 55
Mobile Equipment (36Kpsi and 55Kpsi Jet Edge Pumps & Accessories) New in 2011!!		Page 60-65
Replacement Parts for Omax® Corporation Equipment		
UHP Pump Parts		Page 66
On/Off Valve & Cutting Head Parts		Page 66
Nozzles (Focusing Tubes); Orifices		Page 67-68
Replacement Parts for Waterjet Service, Inc. (WSI) Equipment		
UHP Pump Parts		Page 70
Check Valve Part		Page 71
Bleed Down Parts; On/Off Valve & Cutting Head Parts		Page 73
Nozzles (Focusing Tubes); Orifices		Page 74-75
Shipping of Parts Orders		Page 76
Customer Order Information		Page 77
Order Form		Page 78
Credit Application		Page 79

***High pressure tubing and fittings are for use on all UHP waterjet systems.**



Cyclone Abrasive Removal System

Specifications

- 1 yard hopper, 1 yard abrasive bags
- Filtered and dry compressed shop air, 80-90 psi, 14 cfm at 85 psi
- 60 gpm maximum water flow rate
- Only 25 sq. ft. required floor space
- Removes up to 10 lbs of abrasive per minute
- Gravity-return overflow from the abrasive holding tank

Advantages

- Operates unattended
- Can be custom sized for use on any waterjet tank
- No machine down-time required to remove abrasive
- Easy to set up and operate. You can be removing abrasives within hours of receiving the system
- The only moving parts in contact with the abrasive slurry are the two check valves at the bottom of the pump. There are no expensive parts that have to be replaced due to abrasive wear

Options

- Attachments can be used to remove abrasives from a waterjet tank that is full of used abrasives
- An agitation and suction plumbing system can be placed in an empty catch tank to keep it clean and keep up with abrasive use



1.888.497.8749 www.chukarwaterjet.com sales@chukarwaterjet.com



www.chukarwaterjet.com

iP60-100S Intensifier Pump
Single Intensifier



MADE IN THE
USA

Construction

- Heavy gauge sheet metal covers
- Rugged all-steel welded framework
- Hinged cover and removable access panels for convenient machine inspection and maintenance
- Integral hydraulic reservoir
- Optional Sound Insulation Package
- NEMA 12/13 rated electrical enclosure

Electrical Components

- High efficiency TEFC motor
- 1,500 or 1,800 nominal motor speed (rpm)
- Wye-Delta soft start with disconnect
- Programmable Logic Controller (PLC) for operation and diagnostics
- Electronically shifted intensifiers
- Safety shutdown systems
- Automatic safety pressure bleed-down valve
- Axial piston, variable displacement, pressure-compensated hydraulic pump
- Thermostatically controlled cooling system
- 0.5 gallon (1.9 liter) high pressure attenuator
- In-line UHP Water Filter to 5 Micron
- UHP safety shielded tubing
- Liquid-filled pressure gauges

Physical Size

- Length: 86 in (218 cm)
- Width: 40 in (102 cm)
- Height: 55 in (140 cm)
- Approximate Weight with Fluid: 4,600 lbs. (2087 kg)

Electric Motor

- Motor Output: 100 hp (75 kw)
- Motor Type: High Efficiency TEFC electric motor
- Full load amps @ 460vac: (60Hz) 119
- Full load amps @ 230vac: (60Hz) 238
- Full load amps @ 380vac: (50Hz) 147

Intensifier

- Type: Single piston, dual plunger, reciprocating
- Number of Intensifiers: 1
- Rated Pressure: 60,000 psi (4,100 bar)
- Intensification Ratio: 19:1
- Flow Rate: 2.0 gpm (7.6 lpm)
- Maximum Rated Orifice Size: .021 in (0.53 mm)



Low-Pressure Water/Intensification Water

- Type: Pretreated, <100 TDS, PH 6-8, Silica <15PPM
- Supply Requirements: 4.0 gpm @ 20 psi (1.4 bar) min. / 75°F (24°C) max
- Filtration: 10, 1, .45 Micron

Coolant Water

- Maximum Temperature: 70°F (21°C)
- Minimum: 10.0 gpm (0-37.9 lpm) @ Minimum 30 psi (2.1 bar)
- Ability to Remove: 97,000 BTU's / Hour
- Heat Exchanger: Braised Plate

Hydraulics

- Reservoir Capacity: 60 gallons (230 liters)
- Filtration: 10 Micron
- Bladder type accumulators

Environmental

- Ambient Room Temperature: 50°-100°F (10°-37°C)
- Relative Humidity: Noncondensing, Maximum 95% @ 100°F

Rev. 7/29/2009

Specifications Subject to Change

1.888.497.8749 www.chukarwaterjet.com sales@chukarwaterjet.com



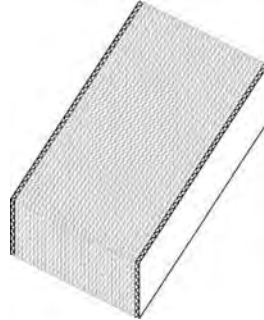
www.chukarwaterjet.com

CHUKAR WATERJET

WATERJET BRICKS NOW AVAILABLE

4" x 6" x 48", Black or Natural, \$29.95 Each Quantity (1-48)

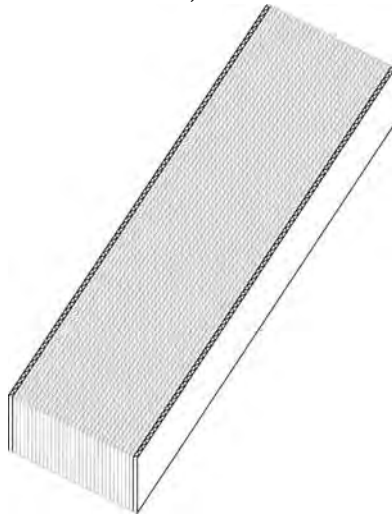
4" x 6" x 48", Black or Natural, \$27.95 Each Quantity 48 +



CHUKAR PART NUMBER 10-09-00001

4" x 6" x 96", Black or Natural, \$59.95 Each Quantity (1-48)

4" x 6" x 96", Black or Natural, \$57.95 Each Quantity 48 +



CHUKAR PART NUMBER 10-09-00002

- Shipping costs are not included in the price.
- All shipments are F.O.B. Shipping Point.
- Chukar Waterjet will make every effort to stock Waterjet Bricks for your order but if they are not in stock when you place your order the lead time may be 3-4 weeks.
- Other sizes are available

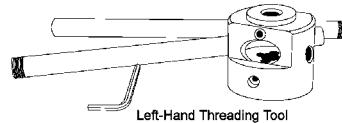
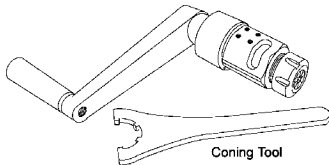


HP Tubing and Tools

Chukar P/N	Description	Replaces	Price
10-08-25309	Tubing, 1/4 304 SST (Fatigue Proof) (price per inch)		\$1.25
10-08-25127	Tubing, 3/8 304 SST (Fatigue Proof) (price per inch)		\$1.83
10-08-25308	Tubing, 9/16 304 SST (Fatigue Proof) (price per inch)		\$2.63

Call us for Coned & Threaded H/P Nipples, Whips, etc...

Chukar P/N	Description	Replaces	Price
06-08-P3259	1/4" Coning Tool		\$324.27
06-08-P3250	1/4" Threading Tool		\$209.45
06-08-P3260	3/8" Coning Tool		\$324.27
06-08-P3251	3/8" Threading Tool		\$209.45
06-08-P3261	9/16" Coning Tool		\$410.06
06-08-P3252	9/16" Threading Tool		\$209.45



06-08-P1400	1/4" Bending Tool		\$93.19
06-08-P1401	3/8" Bending Tool		\$100.81

* 9/16" Bending Tool Not Available

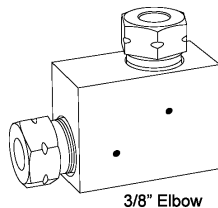
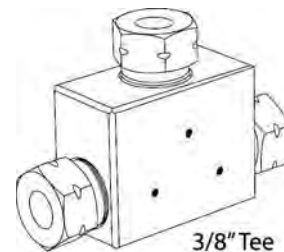
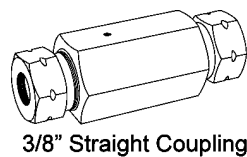
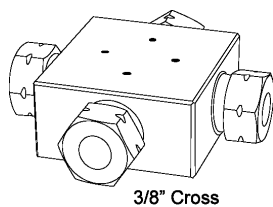
Stainless Steel Fittings 60,000 PSI

Chukar P/N	Description	Replaces	Price
10-08-5746	1/4 M x 3/8 F Adapter		\$57.07
10-08-26261	3/8 F x 1/4 M Reducer		\$74.08
10-08-26257	9/16 F x 3/8 F Reducer		\$98.80
10-08-26218	3/8 M x 1/4 F Adapter		\$62.49
10-08-25304	9/16 M x 1/4 F Adapter		\$70.56
10-08-26225	9/16 M x 3/8 F Adapter		\$81.64
10-08-26209	Valve, Hand Shut-Off, 1/4 Straight		\$213.95
10-08-27044	Valve, Hand Shut-Off, 3/8 Straight		\$224.95
10-08-26232	Valve, Hand Shut-Off, 9/16 Straight		\$270.05



Stainless Steel Fittings 60,000 PSI

Chukar P/N	Description	Replaces	Price
10-08-26259	Coupling, Straight 1/4		\$60.47
10-08-25349	Coupling, Straight 3/8		\$64.68
10-08-25693	Coupling, Straight 9/16		\$102.80
10-08-26256	Cross, 3/8		\$117.37
10-08-25310	Cross, 9/16		\$181.41
10-08-26239	Elbow, 1/4		\$58.76
10-08-26253	Elbow, 3/8		\$80.08
10-08-25301	Elbow, 9/16		\$126.99
10-08-26217	Nut & Collar Assembly Gland, 1/4		\$12.30
10-08-26247	Nut & Collar Assembly Gland, 3/8		\$18.14
10-08-26210	Nut & Collar Assembly Gland, 9/16		\$38.28
10-08-26224	Tee 1/4		\$104.82
10-08-25669	Tee 3/8		\$96.14
10-08-25302	Tee 9/16		\$155.62
10-08-27630	Plug, 1/4		\$8.87
10-08-27629	Plug, 3/8		\$11.60
10-08-27631	Plug, 9/16		\$17.94
10-08-29616	Cone, 3/8		\$12.21
10-08-28445	Cone, 9/16		\$15.62



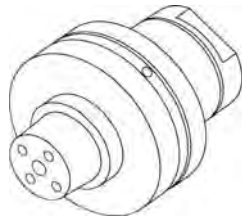
Bystronic Equipment

UHP Pump Parts

Chukar P/N	Description	Replaces	Price
02-01-00001	Cylinder, High Pressure		\$1308.00
02-01-00002	Cylinder Cap, High Pressure		\$879.00
02-01-00003	HP Seal Backup/Spacer		\$9.00
02-01-00004	Quad Ring, HP Cylinder		\$2.90
02-01-00005	HP Seal		\$8.85

Check Valve Parts

Chukar P/N	Description	Replaces	Price
02-02-00001	Check Valve Body		\$389.00

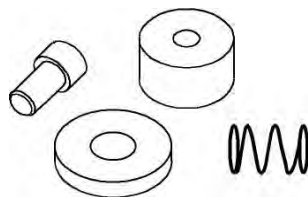


Check Valve Body
02-02-00001

02-02-00002	Check Valve Outlet Body		\$158.10
-------------	-------------------------	--	----------

Check Valve Parts Kit

Chukar P/N	Description	Replaces	Price
02-02-00003	Check Valve Repair Kit		\$90.00
02-02-00004	Outlet Seat		\$28.00
02-02-00005	Outlet Poppet		\$20.00
02-02-00006	Inlet Poppet Disk		\$30.40
02-02-00007	Inlet Poppet Screw		\$17.00
02-02-00008	Compression Spring		\$6.59



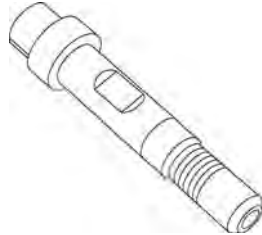
Check Valve Repair Kit
02-02-00003



Bystronic Equipment

Valve & Cutting Head Parts

Chukar P/N	Description	Replaces	Price
02-04-00006	Nozzle Body Extension Tube		\$179.00



Nozzle Body Extension Tube
02-04-00006

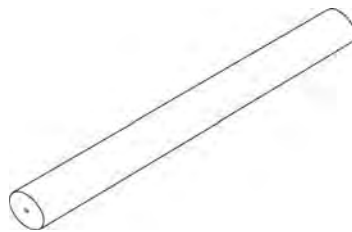
02-04-00007	Mixing Chamber		\$97.60
02-04-00008	Cover, Collision Sensor		\$19.30

On/Off Valve Parts

Chukar P/N	Description	Replaces	Price
02-04-00001	On/Off Body		\$298.00
02-04-00002	On/Off Needle	90000304-3	\$47.00
02-04-00003	On/Off Seat	90000291-2	\$28.00
02-04-00004	Seal, On/Off		\$20.00
02-04-00005	Backup, On/Off		\$42.00

Nozzles (Focusing Tubes) .249" OD

Chukar P/N	Description	Replaces	Price
02-05-50030	3" Long Life Focusing Tube (.030 ID)		\$85.00



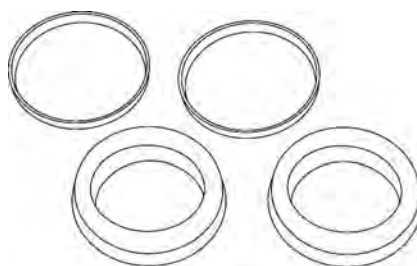
*UHP Tubing and Fittings are found on pages 5 and 6



Flow™ International Equipment

UHP Pump Parts Kits

Chukar P/N	Description	Replaces	Price
06-01-50025	LP Seal Kit, 60K	B-1163-1	\$39.75
06-01-50026	LP Seal Kit, ESL (w/ceramic Seal), 60K	010641-1	\$60.00
06-01-50084	LP Seal Kit, 40K	B-1163-2	\$39.75
06-01-50027	High Pressure Seal Kit 40K	0011971	\$98.10
06-01-50028	Seal-Plunger, High Pressure, 1-1/16" (4 ea per kit)	C5282-1	\$8.85
06-01-50029	Hoop-Seal, Plunger, 1-1/16" (4 ea per kit)	B1693-1	\$8.70
06-01-50030	O-Ring, High Pressure (4 ea per kit)	B8075-122	\$3.00
06-01-50031	Food Grade Lubricant 1/4 oz. (1 each per Kit)	A-4689	\$2.50
06-01-50032	Ring-Backup, Plunger, 1-1/16" (2 each per kit)	B-1465-2	\$31.50
06-01-50033	High Pressure Seal Kit 40K (No Backup Rings)		\$76.10
06-01-50028	Seal-Plunger, High Pressure 1-1/16 (4 ea per kit)	C-5282-1	\$8.85
06-01-50029	Hoop-Seal, Plunger, 1-1/16" (4 ea per kit)	B-1693-1	\$8.70
06-01-50030	O-Ring, High Pressure (4 ea per kit)	B-8075-122	\$3.00
06-01-50031	Food Grade Lubricant 1/4 oz. (1 each per Kit)	A-4689	\$2.50
06-01-50034	Platinum Seal Kit High Pressure 60K	001198-1	\$98.10
06-01-50035	Seal-Plunger, High Pressure, 7/8" (4 ea per kit)	004406-1	\$8.85
06-01-50036	Hoop-Seal, Plunger, 7/8" (4 ea per kit)	004407-1	\$8.70
06-01-50037	Ring-Backup, Plunger 7/8" (2 ea per kit)	B-1465-1	\$31.50
06-01-50038	O-Ring, High Pressure (4 ea per kit)	B-8075-119	\$2.00
06-01-50031	Food Grade Lubricant 1/4 oz. (1 ea per kit)	A-4689	\$2.50
06-01-50091	Platinum Seal Kit, Color Matched	001198-1	\$98.10
06-01-50039	Platinum Seal Kit High Pressure 60K (No Backup Rings)		\$76.10
06-01-50035	Seal-Plunger, High Pressure 7/8" (4 ea per kit)	004406-1	\$8.85
06-01-50036	Hoop-Seal, Plunger 7/8" (4 ea per kit)	004407-1	\$8.70
06-01-50038	O-Ring, High Pressure (4 ea per kit)	B-8075-119	\$2.00
06-01-50031	Food Grade Lubricant 1/4 oz. (1 ea per kit)	A-4689	\$2.50
06-01-50092	Platinum Seal Kit w/o BU Rings, Color Matched		\$76.10



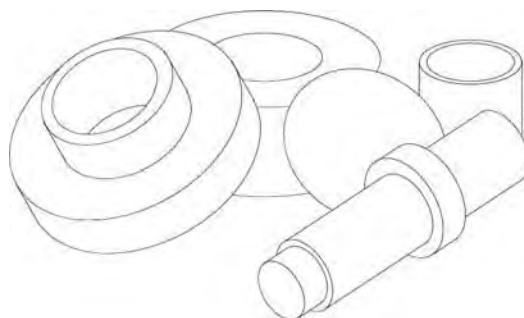
High Pressure Seal Kit



Flow™ International Equipment

UHP Pump Parts Kits

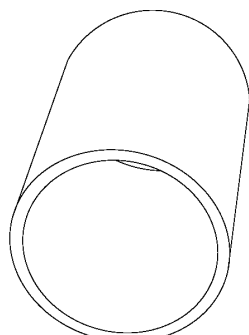
Chukar P/N	Description	Replaces	Price
06-01-50042	High Pressure Seal Tool KIT	B-2291-1	\$192.00
06-01-50043	Seal Ring Seal Tool	B-2484-1	\$55.30
06-01-50044	Valve Body Seal Tool	B-1868-1	\$45.10
06-01-50045	Hoop Sleeve Seal Tool	B-1867-1	\$45.10
06-01-50046	Plunger Seal Tool	B-1866-1	\$80.15
06-01-50041	Plate Seal Tool		\$7.00



High Pressure Seal Tool Kit 06-01-50042

UHP Pump Parts

Chukar P/N	Description	Replaces	Price
06-01-50017	Cylinder, High Pressure, 55K	007038-3	\$648.65
06-01-50093	Cylinder, High Pressure, 40k	007038-2	\$648.65
06-01-50003	Low Pressure Cylinder	C-1000-1	\$185.64



Low Pressure Cylinder
06-01-50003



High Pressure Cylinder, 55K
06-01-50017



Flow™ International Equipment

UHP Pump Parts

Chukar P/N	Description	Replaces	Price
06-01-50071	Intensifier, Mechanical Shift		\$12,199.00
06-01-50072	Intensifier Assembly – 110 Volt, Long Block		\$12,199.00
06-01-50014	Long Block, Intensifier Assembly		\$12,199.00
06-01-50008	Short Block, Intensifier Assembly	010558-30	\$10,000.00
06-01-50002	End Cap, High Pressure Cylinder, Intensifier	321276	\$543.20
06-01-50012	Right End Bell, Intensifier, HO	007303-1	\$1,585.00
06-01-50013	Left End Bell, Intensifier, HO	007303-2	\$1,585.00
06-01-50086	Intensifier End Bell Spacer	010276-1	\$12.00
06-01-50087	LP Seal for Ceramic Plunger *use w/ 06-01-50086	A-11275	\$15.60
06-01-50016	60K Ceramic Plunger Assembly	010253-1	\$850.00
06-01-50007	Hydraulic Valve Body	007290-1	\$1,042.08
06-01-50009	Piston, Low Pressure, HO	007026-1	\$299.00
06-01-50010	Retainer, Plunger, Piston, Low Pressure, C93 ESL	007029-1	\$90.67
06-01-50011	Assembly Tie Rod, Intensifier with Insert		\$72.93
06-01-50005	Bushing, Guide, End Bell	B-1040-2	\$16.00
06-01-50006	Spacer Seal, End Bell	010276-1	\$10.67
06-01-50015	Sleeve, Seal Backup	B-1002-2	\$82.00
06-01-50018	Shift Pin-Intensifier .082 Dia.	B-1008-2	\$10.25
06-01-50098	Steel Mechanical Shift Pin	002226-1	\$10.25
06-01-50088	Mechanical Shift Valve/Pilot Valve Assy	A-11215-A-9183	\$842.50
06-01-50019	Directional Control "Shifter" Valve Assy (Spool)	C-2743-1	\$562.40
06-01-50020	Pilot Valve Assembly Manual Shift	006869-1	\$304.30
06-01-50022	Manual Cable Guide Right	C-5461-1	\$340.00
06-01-50023	Manual Cable Guide Left	C-5462-1	\$340.00
06-01-50024	Shift Pin, H.O. Intensifier	B-1611-1	\$10.25
06-01-50066	Directional Control Pilot Valve	A-10544	\$460.00
06-01-50067	Directional Control /Electric Valve Assy.		\$791.00
06-01-50068	Snap Ring 3.182 X .91 Plain	A-0270-300	\$4.22
06-01-50069	HP End Assembly, Flow		\$1,875.56
06-01-50070	Center Section Ceramic Seal Assembly	010253-1	\$5,317.90
06-01-50089	60k Piston Assy *Includes 06-01-50025 LP Seal Kit	010561-1	\$2055.00
06-01-50090	Snap Ring, LP Seal, 40K	A0264-131	\$2.00



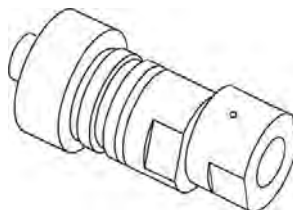
Flow™ International Equipment

UHP Pump Parts

Chukar P/N	Description	Replaces	Price
06-01-50073	Male Quick Disconnect Nipple	A-0821-2	\$5.30
06-01-50074	Quick Coupling Nipple Assembly	004345-1	\$13.08
06-01-50075	Female Quick Disconnect, 3/8" Hose	A-0820-2	\$15.50
06-01-50076	High Pressure Cylinder, 55K (Eagle)	011049-1	\$306.36
06-01-50077	Ceramic Plunger Assembly, 55K (Eagle)	011045-1	\$404.30
06-01-50078	Cartridge - Relief, Pressure		\$73.00
06-01-50079	Split Pin - Shifting		\$40.00
06-01-50080	Plunger - Actuating		\$187.00
06-01-50081	Spring Compression (Inner Spring)	A-1713	\$5.00
06-01-50082	Spring Compression (Outer Spring)		\$9.00
06-01-50083	Tool – Wrench, Girth, Cylinder		\$600.00
06-01-50094	Back Up Ring	A-0276-124	\$1.00
06-01-50099	Spanner Wrench		\$33.22

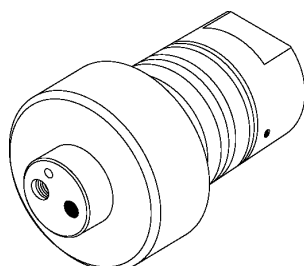
Check Valve Parts

Chukar P/N	Description	Replaces	Price
06-02-50012	Check Valve Assembly, 60K Assembly	010559-3	\$522.92



**Check Valve Assembly, 60 K Assemblies
06-02-500012**

06-02-50001	Check Valve Body, Main 55K	004383-3	\$312.75
06-02-50011	Check Valve Body, Main 40K	004383-2	\$312.75



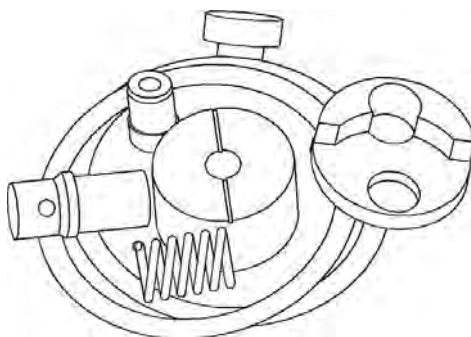
Check Valve Body, Main 55K



Flow™ International Equipment

Check Valve Parts Kit

Chukar P/N	Description	Replaces	Price
06-02-50003	Outlet Body, Check Valve Assembly	C1313-1	\$158.10
06-02-50016	O-Ring	A-0275-023	\$1.00
06-02-50004	Check Valve Repair KIT	010642-1 / 015866	\$84.55
06-02-50002	Outlet Insert for 60 K Check Valve (1 ea. /Kit)	004382-1	\$18.25
06-02-50005	Check Valve Outlet Poppet (1 ea. /Kit)	005917-1	\$19.40
06-02-50006	Check Valve Poppet Cap (1 ea. /Kit)	010564-1	\$29.00
06-02-50007	Poppet-Inlet Check Hi Pressure Poppet (1 ea. /Kit)	002078-1	\$9.70
06-02-50008	Check Valve Inlet Poppet Cap Bolt	004380-1	\$16.98
06-02-50009	O-Ring (2 each per kit)	A0275-125	\$1.00
06-02-50010	Compression Spring (1 each per Kit)	A-1606	\$2.90



H.O. Check Valve Repair Kit

06-02-50004

06-02-50015	Platinum Check Valve Repair Kit*		\$134.50
06-02-50002	Outlet Insert for 60 K Check Valve (1 ea. /Kit)	004382-1	\$18.25
06-02-50013	Platinum Check Valve Outlet Poppet *		\$42.00
06-02-50006	Check Valve Poppet Cap (1 ea. /Kit)	010564-1	\$29.00
06-02-50014	Platinum Check Valve Inlet Poppet*		\$32.00
06-02-50008	Check Valve Inlet Poppet Cap Bolt	004380-1	\$16.98
06-02-50009	O-Ring (2 each per kit)	A0275-125	\$1.00
06-02-50010	Compression Spring (1 each per Kit)	A-1606	\$2.90

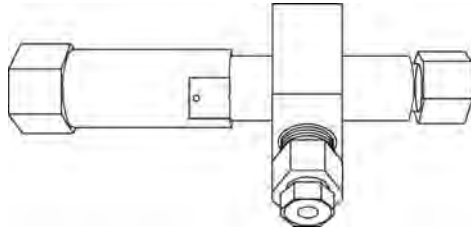
*The inlet and outlet poppets for the Platinum Kit have undergone processes that greatly extend their life.



Flow™ International Equipment

Bleed Down Parts

Chukar P/N	Description	Replaces	Price
06-03-50015	Bleed Down Valve Assy	C-5841-1	\$875.00
06-03-50001	Bleed Down Body-High Pressure	001822-1	\$249.00
06-03-50002	Bleed Down, Seal Install Tool		\$26.66



Bleed Down Valve Assembly

06-03-50015

Bleed Down Parts Kits

06-03-50003	Bleed Down Valve Repair Kit, High Pressure	004694-1	\$95.25
06-03-50004	Seal-High Pressure Bleed Down	B-5701-02	\$16.00
06-03-50005	Stem-High Pressure Bleed Down	B-5702-1	\$24.00
06-03-50006	Seat-High Pressure Bleed Down	B-5703-1	\$38.00
06-03-50007	Hoop, Seal-High Pressure Bleed Down	B-5723-1	\$9.50
06-03-50008	Bushing, Seal-High Pressure Bleed Down	B-5700-1	\$19.00
06-03-50009	O-Ring 3/16 x 5/16 x 1/16 Bleed Down	A-0275-008	\$1.00
06-03-50010	O-Ring 5/8 x 13/16 x 3/32 Bleed Down	A-0275-114	\$1.00
06-03-50011	Backup Ring Bleed Down	A-0276-014	\$1.00
06-03-50012	O-Ring .644 x .087 Bleed Down		\$1.00
06-03-50013	Seal .125 x .406 x .085 Bleed Down	A-4241	\$4.00
06-03-50014	O-Ring .924 x .116 Bleed Down		\$1.00



Bleed Down Valve Repair Kit,
High Pressure

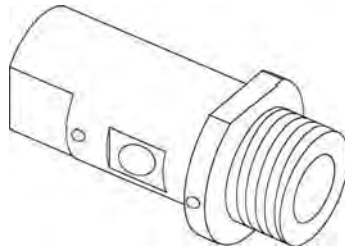
06-03-50003



Flow™ International Equipment

High Pressure On/Off Valve Assembly – Standard Valve Body 2.4” O.A.L.

Chukar P/N	Description	Replaces	Price
06-04-50047	On/Off Valve Assembly, Standard Body 2.4” OAL		\$318.50
06-04-50005	Standard Flow Body Valve, On/Off, NC, H/P, Std. Body 2.4” OAL	006143-1	\$230.00

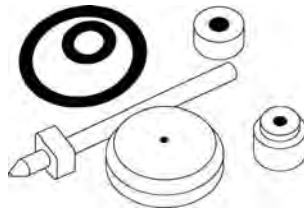


Body Valve, On/Off, NC, HP, Std. Body 2.4” OAL

06-05-50005

High Pressure On/Off Valve Parts Kit - Standard Valve Body 2.4” O.A.L.

Chukar P/N	Description	Replaces	Price
06-04-50014	On/Off Repair Kit, Standard Body 2.4” OAL	001959-1	\$88.50
06-04-50007	Poppet Seat, On/Off Valve	006933-1	\$21.00
06-04-50015	Seal-UHMW Needle	001328-1	\$9.00
06-04-50016	Needle, On/Off Valve	006934-1	\$60.00
06-04-50017	Ring, Backup Seal	001337-1	\$10.00
06-04-50018	O-Ring	A-0275-014	\$1.00
06-04-50035	O-Ring 1/8” x 1/4” x 1 1/16”		\$1.00



Repair Kit, Std. Valve Body 2.4” OAL

06-04-50014

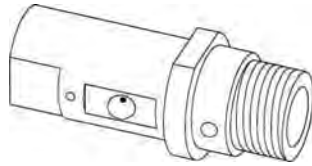
06-04-50061	On/Off Repair Kit, Std. Body, Yellow Seal	001959-1	\$88.50
06-04-50063	Yellow Seal – UHMW Needle	001328-1	\$30.00
06-04-50033	High Pressure Valve Repair Tool Kit	B-5913/5914-1	\$36.00



Flow™ International Equipment

High Pressure On/Off Valve Assembly - Long Valve Body 2.83" O.A.L.

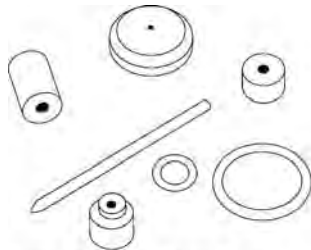
Chukar P/N	Description	Replaces	Price
06-04-50046	On/Off Valve Assembly, Long Body 2.83" OAL		\$385.00
	Flow Version II		
06-04-50003	Body, Valve, On/Off, Long Style 2.83" OAL	010104-1	\$289.55



Body, Valve, On/Off, Long Style 2.83" OAL
06-04-50003

High Pressure On/Off Valve Parts Kit - Long Valve Body 2.83" O.A.L.

Chukar P/N	Description	Replaces	Price
06-04-50019	On/Off Repair Kit, Long Body 2.83" OAL	010200-1	\$103.80
06-04-50020	Bushing, Guide, On/Off Valve	003838-1	\$22.00
06-04-50021	Seal, High Pressure, Valve	003831-1	\$14.00
06-04-50022	Needle High Pressure Valve	010105-1	\$38.00
06-04-50023	Hoop, Ring, Backup, Seal	003832-1	\$23.00
06-04-50007	Poppet Seat	006933-1	\$21.00
06-04-50024	O-Ring Seal	B8075-008	\$1.00
06-04-50018	O-Ring	A-0275-014	\$1.00



High Pressure Valve Assembly
Repair Kit, Insta 2

06-04-50019

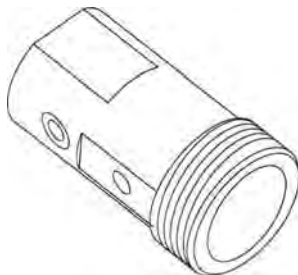
06-04-50062	On/Off Repair Kit, Long Body, Yellow Seal	010200-1	\$103.80
06-04-50034	High Pressure Valve Repair Tool Kit (Long Body)		\$36.00



Flow™ International Equipment

High Pressure On/Off Valve Assembly – Mini/Dynamic

Chukar P/N	Description	Replaces	Price
06-04-50037	On/Off Valve Assembly, Mini/Dynamic		\$329.75
06-04-50038	Flow Mini/Dynamic Body-On/Off Valve, Dynamic, Flow	710866-1	\$249.65



Body-On/Off Valve, Mini/Dynamic, Flow

06-04-50038

Chukar P/N	Description	Replaces	Price
06-04-50036	Repair Kit, Mini On/Off Valve	711484-1	\$94.50
06-04-50035	O-Ring 1/8" x 1/4" x 1/16"		\$1.00
06-04-50039	On/Off Valve Seal, Dynamic		\$16.00
06-04-50040	On/Off Guide Needle, Dynamic		\$20.00
06-04-50041	On/Off Valve Backup Ring, Dynamic		\$19.00
06-04-50042	On/Off Valve Needle, Dynamic		\$35.00
06-04-50043	On/Off Valve Poppet Seat, Dynamic		\$21.00
06-04-50044	O-Ring 1/2" X 5.8" X 1/16"		\$1.00



Repair Kit, Mini On/Off Valve

06-04-50036

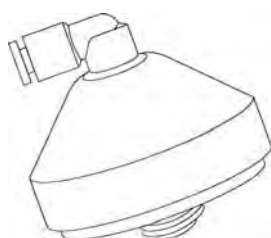
06-04-50049	Mini On/Off Installation Tool		\$41.91
-------------	-------------------------------	--	---------



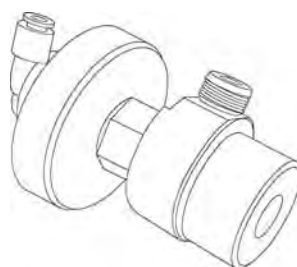
Flow™ International Equipment

High Pressure On/Off Valve Parts Kit

Chukar P/N	Description	Replaces	Price
06-04-50053	Gland, 60k Mini Valve	710867-1	\$91.22
06-04-50054	Collar, 60k Mini Valve, Mounting	710868-1	\$46.56
06-04-50055	Collar, 60k, Water Body, Mini Valve	710869-1	\$41.55
06-04-50056	Assembly, 60k, Mini Actuator Flow Dynamic	710875-1	\$449.00
06-04-50060	Mini-Valve Assembly, 60K	710870-1	\$1298.00



Assembly, 60k, Mini Actuator
06-04-50056



Mini Valve Assembly, 60k
06-04-50060

High Pressure On/Off Valve & Cutting Head Parts

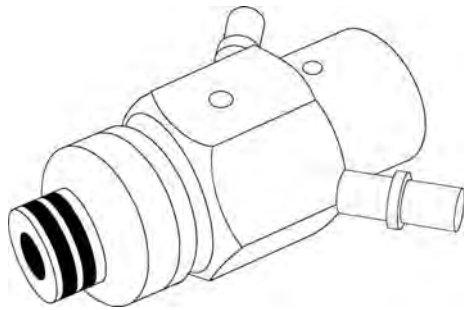
Chukar P/N	Description	Replaces	Price
06-04-50001	Mixing Chamber Paser I & II		\$31.50
06-04-62129	Nozzle Body Extension Tube 5" O.A.L.		\$257.25
06-04-50057	Nozzle Body, Mini Precision, ECL	017257-1	\$169.20
06-04-50067	Nozzle Body, Water Only	006145-1	\$375.00
06-04-50059	Retainer, Nozzle, Water Only	006146-1	\$80.75
06-04-50002	Nozzle Body Extension Tube 4.33" OAL	001995-1	\$257.25
06-04-50045	Extension Tube, Paser ECL Plus 4.3" OAL	014196-1	\$267.00
06-04-50048	Weep Tube, Type II Long Body	003845-1	\$23.00
06-04-50004	Body, On/Off Actuator Valve, NC, High Pressure		\$66.60
06-04-50072	Body, Actuator Head		\$123.50
06-04-50073	Endcap, Ext Body, Actuator Head		\$56.70
06-04-50074	Piston, Actuator Head		\$61.07
06-04-50012	Actuator Assembly Complete	003859-1	\$1,095.00
06-04-50013	Actuator Assembly - On/Off	001323-1	\$449.00
06-04-IWPK6010	Actuator Rebuild Kit DP3000		\$103.00
06-04-10073	Actuating Plunger	B-1007-1	\$107.00



Flow™ International Equipment

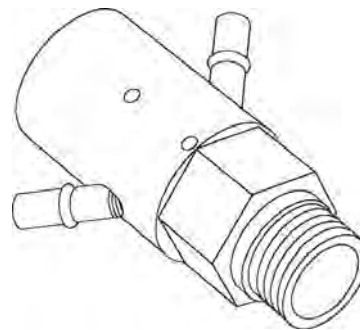
High Pressure On/Off Valve & Cutting Head Parts

Chukar P/N	Description	Replaces	Price
06-04-50050	Paser III Head Assembly	009940-1	\$225.00
06-04-50051	Paser III Head Body	009513-1	\$195.00
06-04-50065	Paser ECL Plus Head Assembly	014197-1	\$272.00
06-04-50064	Paser ECL Plus Head Body	014192-1	\$217.00



PASER III Head Assembly

06-04-50050



Paser ECL Plus Head Assembly

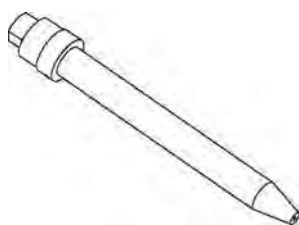
06-04-50061

Chukar P/N	Description	Replaces	Price
06-04-50075	ECL Dynamic Mixing Chamber	017364-1	\$304.00
06-04-50076	Actuator Assembly, Long Body	003840-1	\$449.00
06-04-50077	Collet, Paser ECL Plus	710806-1	\$74.00
06-04-50006	Retainer, Seal Valve On/Off	001112-1	\$30.15
06-04-50008	Mounting Collar	001327-1	\$184.00
06-04-50009	Clamp Nut, Mixing Tube Paser 3	009939-1	\$56.70
06-04-50010	P3 Retainer Collet-UHMW (Black)	009941-1	\$4.94
06-04-50011	Collet-UHMW P3-.250 (Red)		\$6.30
06-04-62113	Dehazer, Splash Shield, DP2000, straight .085 wall		\$4.85
06-04-61113	Dehazer, Splash Shield, DP3000, tapered .125 wall		\$4.85
06-04-50058	Blast Disc, ECL	711933-1	\$3.00
06-04-50066	Steel Mechanical Shift Pin, .092 Diameter	002226-1	\$10.25
06-04-10115-168	Metering Disk, Flow Mini-Hopper		\$9.36
06-04-10115-196	Metering Disk, Flow Mini-Hopper		\$9.36
06-04-10115-206	Metering Disk, Flow Mini-Hopper		\$9.36
06-04-10115-246	Metering Disk, Flow Mini-Hopper		\$9.36

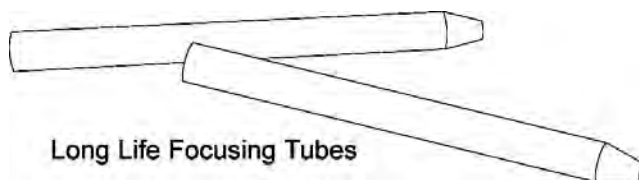


Flow™ International Equipment

Nozzles (Focusing Tubes) .281" Dia. O.D.



ECL Plus Focusing Tube



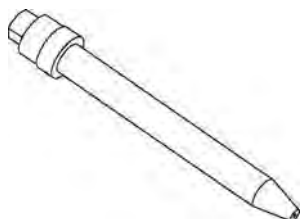
Long Life Focusing Tubes

Chukar P/N	Description	Replaces	Price
3" Length Focusing Tubes			
06-05-50001	3" Long Life Focusing Tube (.020 ID)	010460-20-30	\$85.00
06-05-50001-ECL	3" Paser III ECL Plus Focusing Tube (.020 ID)	014214-20-30	\$95.00
06-05-50002	3" Long Life Focusing Tube (.030 ID)	010460-30-30	\$85.00
06-05-50002-ECL	3" Paser III ECL Plus Focusing Tube (.030 ID)	014214-30-30	\$95.00
06-05-50003	3" Long Life Focusing Tube (.035 ID)	010460-35-30	\$85.00
06-05-50004	3" Long Life Focusing Tube (.040 ID)	010460-40-30	\$85.00
06-05-50004-ECL	3" Paser III ECL Plus Focusing Tube (.040 ID)	014214-40-30	\$95.00
06-05-50005	3" Long Life Focusing Tube (.050 ID)	010460-50-30	\$85.00
06-05-50055	3" Long Life Focusing Tube (.055 ID)	010460-55-30	\$85.00
06-05-50000	Tool, Flow Style 3" Focusing Tube		\$28.75
4" Length Focusing Tubes			
06-05-50003-4M/L	4" Long Life Focusing Tube (.030 ID)	010460-30-40	\$95.00
06-05-50002-ECLXL	4" Paser III ECL Plus Focusing Tube (.030 ID)	014214-30-40	\$105.00
06-05-50004-4M/L	4" Long Life Focusing Tube (.040 ID)	010460-40-40	\$95.00
06-05-50004-ECLXL	4" Paser III ECL Plus Focusing Tube (.040 ID)	014214-40-40	\$105.00
06-05-50005-4M/L	4" Long Life Focusing Tube (.050 ID)	010460-50-40	\$95.00
06-05-50005-ECLXL	4" Paser III ECL Plus Focusing Tube (.050 ID)	014214-50-40	\$105.00
06-05-50000-4	Tool, Flow Style 4" Focusing Tube		\$28.75

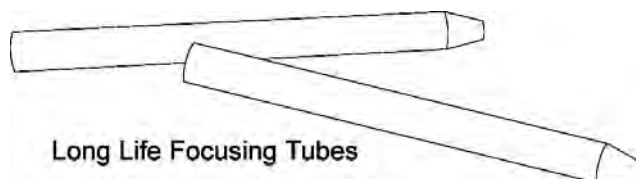


Flow™ International Equipment

**ULTRAMANT GOLD LONG LIFE Nozzles (Focusing Tubes) .281" O.D. 20%
Longer life than Standard Long Life Nozzle**



ECL Plus Focusing Tube



Long Life Focusing Tubes

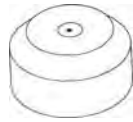
Chukar P/N	Description	Replaces	Price
3" Length Ultramant Gold Focusing Tubes			
06-05-50020-LL	3" Ultramant Gold Long Life Focusing Tube (.020 ID)	010460-20-30	\$119.00
06-05-50020-ECLLL	3" Ultramant Gold ECL L/L Focusing Tube (.020 ID)	014194-20-30	\$129.00
06-05-50030-LL	3" Ultramant Gold Long Life Focusing Tube (.030 ID)	010460-30-30	\$119.00
06-05-50030-ECLLL	3" Ultramant Gold ECL LL Focusing Tube (.030 ID)	014194-30-30	\$129.00
06-05-50035-LL	3" Ultramant Gold Long Life Focusing Tube (.035 ID)	010460-35-30	\$119.00
06-05-50040-LL	3" Ultramant Gold Long Life Focusing Tube (.040 ID)	010460-40-30	\$119.00
06-05-50040-ECLLL	3" Ultramant Gold ECL LL Focusing Tube (.040 ID)	014194-40-30	\$129.00
4" Length Ultramant Gold Focusing Tubes			
06-05-50030-LLXL	4" Ultramant Gold LL Focusing Tube (.030 ID)	010460-30-40	\$129.00
06-05-50030-ECLLL-XL	4" Ultramant Gold ECL LL Focusing Tube (.030 ID)	014194-30-40	\$139.00
06-05-50040-LLXL	4" Ultramant Gold LL Focusing Tube (.040 ID)	010460-40-40	\$129.00
06-05-50040-ECLLL-XL	4" Ultramant Gold ECL LL Focusing Tube (.040 ID)	014194-40-40	\$139.00



Flow™ International Equipment

Orifices

Chukar P/N	Description	Replaces	Price
06-06-50087-xxx	Diamond Orifice, 87K Sizes: .010", .012", .015"	015849-xx	\$359.00



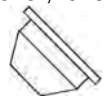
Diamond Orifice, 87K

06-06-50001	Sapphire orifice Paser I & II Sizes: .006", .007", .008", .009", .010", .011", .012", .013", .014", .015", .016", .018", .024"	001821-xx	\$13.50
06-06-50014	Ruby orifice Paser I & II Sizes: .005", .006", .008", .010", .011", .012", .013", .014", .015", .016"	001821-xx	\$13.50
06-06-50006	Diamond orifice Paser I & II Sizes: .007", .008", .010", .011", .012", .013", .014", .015", .016"	D-5070-xx	\$299.00



Paser I & II Orifice Assembly

06-06-50002	Sapphire orifice for ECL Head or Paser III Sizes: .007", .008", .010", .011", .012", .013", .014", .015", .016", .018"	014201-xx	\$14.50
06-06-50003	Ruby orifice for ECL Head or Paser III Sizes: .005", .007", .010", .011", .012", .013", .014", .015", .016", .018"	014201-xx	\$14.50
06-06-50008	Diamond orifice for ECL Head or Paser III Sizes: .007", .013", .014", .015", .016"	014155-xx	\$359.00



ECL or Paser III Orifice Assembly

06-06-50004-xxx	Sapphire orifice Paser III Sizes: .006", .007", .008", .009", .010", .011", .012", .013", .014", .015", .016", .018", .020", .024"	009519-xx	\$14.25
06-06-50005-xxx	Ruby orifice Paser III Sizes: .005", .006", .007", .008", .009", .010", .012", .013", .014", .016"	009519-xx	\$14.25
06-06-50007-xxx	Diamond orifice Paser III Sizes: .005", .007", .008", .009", .010", .011", .012", .013", .014", .015", .016", .020"	014155-xx	\$359.00



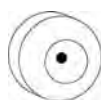
Paser III Orifice Assembly



Flow™ International Equipment

Orifices

Chukar P/N	Description	Replaces	Price
06-06-50012-xxx	Sapphire orifice- Low Mass -Water Sizes: .003", .005", .006", .007", .008", .009", .010", .012", .014"	003788-xx	\$13.50
06-06-50013-xxx	Ruby orifice- Low Mass -Water Sizes: .003", .005", .006", .007", .008", .009", .010", .012", .014"	003788-xx	\$13.50
06-06-50011-xxx	Diamond orifice- Low Mass -Water Sizes: .003", .005", .006", .007", .008", .009", .010", .012", .014"	003788-xx	\$299.00



Low Mass Orifice Assembly

06-06-50010-xxx	Insert – Orifice, Sapphire, (Use in DP-3000 only) Sizes: .007", .010", .012", .013"		\$30.00
-----------------	--	--	---------

Swivel Parts Kits

Chukar P/N	Description	Replaces	Price
06-07-50031	Major Rebuild for 3/8" Swivel Single Axis, 90 Degree	007117-1	\$228.80
06-07-50032	Minor Rebuild Kit for 3/8" Swivel Single Axis, 90 Degree	007718-1	\$49.90



Major Rebuild for 3/8" Swivel Kit
06-07-50031



Minor Rebuild for 3/8" Swivel Kit
06-07-50032



Flow™ International Equipment

Swivel Parts Kits

Chukar P/N	Description	Replaces	Price
06-07-50008	Major Swivel Rebuild Kit 3/8"		\$57.00
06-07-50013	Ring - Back Up, Seal, 3/8" Swivel	B-1789-1	\$9.00
06-07-50012	Hoop - Seal, Swivel, 3/8"	B1790-1	\$15.00
06-07-50011	Seal-HP, Swivel, 3/8"	B-1791-2	\$22.50

*Also includes Bearing Needle, O-Rings, Shaft Seal, and Thrust Washer not sold separately.

06-07-50009	Minor Swivel Rebuild Kit 3/8"		\$33.75
06-07-50013	Ring - Back Up, Seal, 3/8" Swivel	B-1789-1	\$9.00
06-07-50012	Hoop - Seal, Swivel, 3/8"	B1790-1	\$15.00
06-07-50011	Seal-HP, Swivel, 3/8"	B-1791-2	\$22.50

* Also includes O-Rings not sold separately.

06-07-50023	3/8" Inline Swivel Seal Kit		\$107.02
06-07-50013	Ring - Back Up, Seal, 3/8" Swivel	B-1789-1	\$9.00
06-07-50012	Hoop - Seal, Swivel, 3/8"	B-1790-1	\$15.00
06-07-50011	Seal-HP, Swivel, 3/8"	B-1791-2	\$22.50
06-07-50034	Radial Thrust Bearing		\$64.67

*Also includes O-Rings, Bushing, and Swivel Shaft Seal not sold separately.

06-07-50017	1/4" Single Acting Swivel Seal Kit	B-7447-1	\$77.00
06-07-50012	Hoop - Seal, Swivel, 3/8"	B1790-1	\$15.00
06-07-50011	Seal-HP, Swivel, 3/8"	B-1791-2	\$22.50
06-07-50021	Backup Ring, Seal, 1/4" Parallel	B-5694-1	\$15.50

*Also includes O-Rings not sold separately.

06-07-K1051	1/4" Inline and Dual Axis Swivel Repair Kit	B-5910-1	\$54.20
06-07-50012	Hoop - Seal, Swivel, 3/8"	B1790-1	\$15.00

*Also includes Seal, Bearing, Bearing Washer, and O-Rings not sold separately.

Swivel Parts

Chukar P/N	Description	Replaces	Price
06-07-50029	1/4" Body, Swivel, Dual Axis, 90 degree	B-5724-1	\$476.00
06-07-50030	1/4" Dual Axis 90 degree Swivel Assembly	B-5725-1	\$1324.05



Flow™ International Equipment

Swivel Parts

Chukar P/N	Description	Replaces	Price
06-07-12544	1/4" Inline Swivel Body Assembly	C5490-1	\$768.00
06-07-50014	1/4" Inline Swivel Body	C-5500-1	\$255.00
06-07-50015	1/4" Inline Swivel Shaft	B-5491-1	\$116.40
06-07-50016	3/8" Swivel Mounted in Bearing Assy	B5816-1	\$875.75
06-07-50001	3/8" HP Swivel Body, Bearing Mounted	C-2503-1	\$268.75
06-07-50026	3/8" Body, Swivel, Single Axis, 90 degree	010138-1	\$292.00
06-07-50005	Swivel Body Assembly, 3/8 High Pressure	C-2515-1	\$667.10
06-07-50027	3/8" Single Axis 90 degree Swivel Assembly	010143-1	\$873.00
06-07-50028	3/8" Inline Swivel Body Assembly	010140-1	\$958.40
06-07-50033	3/8" Inline Swivel Body	010133-1	\$482.00
06-07-50004	3/8" Swivel Shaft (Chukar Style)	B-1792-1	\$234.40
06-07-50024	3/8" Swivel Shaft (Updated Flow Style)	007116-1	\$194.00
06-07-50002	Cap, Swivel	B-5031-1	\$69.30
06-07-50006	Bearing Block, Swivel Body	B-5793-1	\$171.83
06-07-50018	O-Ring 7/32 X 11/32 X 1/16	B-8075-009	\$1.00
06-07-50022	Spacer, Seal, 1/4" Parallel Swivel	B-7163-1	\$23.00
06-07-50025	3/8" Swivel Nut	010139-1	\$73.70
06-07-50035	3/8" HP Swivel Seal Nut	B-1788-1	\$45.41
06-07-50010	Swivel Seal Installation Tool	B-2817-1	\$168.18
06-07-50036	1/4" F x 3/8" M Adapter	A-0792-1	\$52.36
06-07-50037	3/8" F x 9/16" M Adapter		\$56.14
06-07-50038	3/8" F x 1/4" M Adapter	A-1267	\$49.20

Miscellaneous Parts and Accessories

Chukar P/N	Description	Replaces	Price
06-08-50001	Yellow Goop Anti-Seize, 1 oz.		\$5.85
06-08-50002	Blue Goop Anti-Seize Compound 1 oz.	A-2185	\$9.85



Flow™ International Equipment

Miscellaneous Parts and Accessories / Filters

*Absolute Filters – No particles go through * Nominal Filters – Minimal particles go through

Chukar P/N	Description	Replaces	Price
06-08-50011	0.5 Micron-20" Filter	A00562-1	\$30.00
06-08-50012	0.5 Micron-10" Filter		\$6.30
06-08-50007	Polyfine 0.45 Micron-10" Filter *Absolute*	A-1449	\$54.00
06-08-50003	1 Micron-20" Filter	A00562-2	\$12.30
06-08-50004	10 Micron-20" Filter		\$12.30
06-08-50005	1 Micron-10" Filter		\$6.30
06-08-50014	1 Micron – 10" Filter *Absolute*	A-1555	\$30.00
06-08-50006	10 Micron-10" Filter	A-1453	\$6.30
06-08-50008	Food Grade Lubricant 1 OZ.		\$7.00
06-08-50009	Filter Element - Hp, Inline		\$25.05
06-08-50010	Filter, 0.35 Micron, 10" L		\$28.84

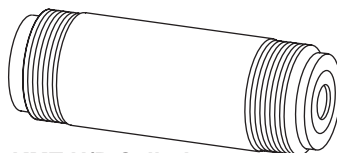
*UHP Tubing and Fittings are found on pages 5 and 6



KMT Waterjet Systems™/ IR Equipment

UHP Pump Parts

Chukar P/N	Description	Replaces	Price
09-01-00001	HP Cylinder, SL4	5059712 (49839426)	\$1025.00
09-01-00026	HP Cylinder Body, SLIV+, SL-V	05144647	\$1375.00
09-01-00028	HP Cylinder Body, SL-V, 75S and 100S	80076797	\$1550.00
09-01-00045	Hydraulic Cylinder Head, SL-IV, SL-V	05034772	\$680.00
09-01-00017	Sealing Head for SL-II	10097871	\$500.00
09-01-00020	Spacer-HP Cylinder (1.312 X .87) SLII	A3069 / 49894041	\$150.00
09-01-00048	HP Cylinder Nut		\$515.60



KMT H/P Cylinder

UHP Pump Part Kits

Chukar P/N	Description	Replaces	Price
09-01-00005	Seal Assembly-Seal Kit, SLIV (Intensifier, both sides)	5115977 (49839939)	\$150.00



Seal Assembly-Seal Kit, SL-IV, Both Sides
09-01-00005

09-01-00031	High Pressure Seal Kit, SLII	05115993	\$64.00
09-01-00046	HP Seal Kit for SL-V, 75/100S w/ one piece BU		\$80.00
09-01-00032	Dynamic H/P Seals w one piece B/U, SL-V	05149703	\$80.00



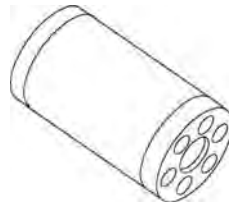
Dynamic H/P Seals w/one piece B/U, SL-V
09-01-00032



KMT Waterjet Systems™/ IR Equipment

UHP Pump Parts

Chukar P/N	Description	Replaces	Price
09-01-00006	Cylinder Housing, HP, SLII,	10097822	\$1,875.00



**Cylinder Housing, HP, SLII, KMT
09-01-00006**

09-01-00002	Seal Assembly-Seal Head-Static	10110393 (49839624)	\$32.00
09-01-00003	Seal Assembly Head-Dynamic	5123385 (49839798)	\$61.90
09-01-00004	O-Ring for Seal Assembly (1-9/16x1-3/4x3/32)	5049853	\$1.00
09-01-00007	Ball, 304 S/S Grade 100, 440c	10086288	\$1.75
09-01-00008	Back Up Ring (w/pilot) (.480)	10188233	\$16.00
09-01-00009	Snap Ring-Internal 1.62 SLII	10081438	\$1.50
09-01-00010	Ball Retainer, .1875 SLII	49894132	\$7.00
09-01-00011	Spring Retainer, .258od SLII Inlet	49894108	\$16.00
09-01-00012	Retainer Spring .258od SLII Outlet	49894165	\$22.00
09-01-00013	Screw-SHCS 3/4-16 X 1 3/4, Black SLII	10099752	\$2.90
09-01-00014	Screw-SHCS 5/8-11 X 1 3/4 Black SLII	95013694	\$4.00
09-01-00015	Seal Assembly-1.38 X .875	10178614	\$43.35
09-01-00016	Seal Assembly 1.38 X 875	10144590	\$23.20
09-01-00018	Seal-HP Check Valve, (602 X .26) SLII	49894074	\$2.00
09-01-00019	Seat-Ball Check (.624 X .125) SLII	49894082	\$21.60
09-01-00022	Seal Head Seat (SLIII)	10107902	\$30.00
09-01-00023	Check Valve Adapter (SLIII)	10107910	\$288.00
09-01-00024	HP Seal SLIII / SLIV	05027172	\$43.00
09-01-00025	Ring-Back Up, Brass, Seal Dynamic		\$24.00
09-01-00027	Spacer-Head, Sealing Plunger	05144696	\$11.00
09-01-00029	Spacer-Head, Sealing Plunger	5144597	\$8.00
09-01-00030	Flange Retaining Ring	05034798	\$4.00
09-01-00039	Seal-Tapered, Dynamic HP, SLIV		\$12.00
09-01-00040	Seal-Dynamic, HP SLIV, KMT		\$12.00



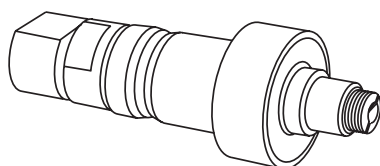
KMT Waterjet Systems™/ IR Equipment

UHP Pump Parts

Chukar P/N	Description	Replaces	Price
09-01-00041	Ring-Back Up, Brass, Seal Dynamic		\$24.00
09-01-00042	Ring-Back Up, Seal, HP, SLIV/V		\$7.00
09-01-00043	Hydraulic Cartridge Kit, SL4, SL4+, SL5	80084759	\$15.00
09-01-00044	Bushing Retainer Flange	05007786	\$117.00
06-01-50051	O-Ring Hydraulic Head	10075000	\$1.00
06-01-50048	Backup Ring	05034855	\$1.00
09-01-P2038	O-Ring	10074920	\$1.00
09-01-00044	Bushing Retainer Flange	05007786	\$117.00

Check Valve (Seal Head) Assembly

Chukar P/N	Description	Replaces	Price
09-02-00001	Assembly, Seal Head SLIV, 7/8"	5116769 (49839772)	\$865.00
09-02-00017	Assembly, Seal Head, SLIV+, 7/8"	51446882	\$995.00
09-02-00018	Assembly, Seal Head, Plunger, 7/8", SL-V	80072349	\$995.00
09-02-00026	Assembly, Seal Head, Plunger, 1 – 1/8", SL-V	80072341	\$1,136.00
09-02-00002	Sealing Head for SL-IV	10106417 (49839418)	\$545.00
09-02-00019	Sealing Head Body SL-V 75S, 100S	80071293	\$820.00
09-02-00027	Sealing Head, SL-V, 100D,	49834039	\$715.00
09-02-00016	Body-Valve, Check, SL-IV+,	05144357	\$788.00



KMT Seal Head Assembly

Check Valve (Seal Head) Parts Kits

Chukar P/N	Description	Replaces	Price
09-02-00014	Seal Assembly-LP Hydr Crtrg, Face Seal	5130091	\$142.40
09-02-00029	Seal Assy- Hydraulic Crtrg, SL-V Short	80086622	\$110.00
09-02-00030	Hydraulic Cartridge Kit, SL-V Short		\$14.00



KMT Waterjet Systems™/ IR Equipment

Check Valve (Seal Head) Parts Kits

Chukar P/N	Description	Replaces	Price
09-02-00012	Seal Head Assembly Repair Kit SLIV	80074057	\$129.50
09-02-00003	Inlet Poppet SLIV	10107894/05144662	\$18.75
09-02-00005	Seat-Seal Head or Insert Valve Check Outlet	5112768 (49839475)	\$26.00
09-02-00006	Poppet -HP Check Valve	5116561 (49839400)	\$40.00
09-02-00008	O-Ring for Seal Assembly	5049853 (No Change)	\$2.00
09-02-00009	Compression Spring (.687x.024x.563)	49884562	\$5.00
09-02-00010	Spring, Compression 18-8sst	05147863	\$2.00
09-02-00011	Guide Pin	5116751	\$40.00



Seal head Kit SL-IV

Chukar P/N	Description	Replaces	Price
09-02-00013	Sealing Head Outlet Valve Kit	5133335	\$100.00
09-02-00005	Seat-Seal Head or Insert Valve Check Outlet	5112768 (49839475)	\$26.00
09-02-00006	Poppet -HP Check Valve	5116561 (49839400)	\$40.00
09-02-00010	Spring, Compression 18-8sst	05147863	\$2.00
09-02-00011	Guide Pin	5116751	\$40.00
09-02-00028	Kit-Valve, Check, Major, Head, Seal		\$168.00
09-02-00021	Sealing Head Outlet Poppet, 75S, 100S		\$52.00
09-02-00022	Sealing Head Outlet Poppet Guide Pin	05116777	\$47.00
09-02-00023	Outlet Poppet Seat, 75S and 100S Sealing Head		\$37.00
09-02-00024	Sealing Head Inlet Poppet	5119680	\$49.80
09-02-00025	Sealing Head Poppet Retainer	5119698	\$50.00
09-02-00010	Spring, Compression 18-8sst	05147863	\$2.00



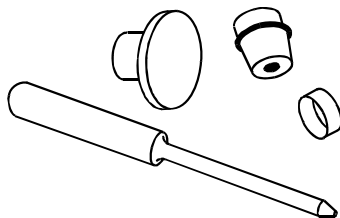
KMT Waterjet Systems™/ IR Equipment

Check Valve (Seal Head) Parts Kits

Chukar P/N	Description	Replaces	Price
09-02-00020	Sealing Head Gland Nut, 75S, 100S	05116595	\$190.00
09-02-00004	Gland-Seal Head	5116777 (49839467)	\$165.00
09-02-00015	Spring Guide (SLIII)	5012331	\$82.00
09-02-00007	Retainer Poppet	10118552 (49839483)	\$48.00

On/Off Valve Parts Kit

Chukar P/N	Description	Replaces	Price
09-04-00002	On/Off Valve Repair Kit - I/R/KMT	05116017/05116025	\$116.00
09-04-00003	Valve Stem	BV901184 (49839442)	\$58.00
09-04-00004	Valve Seat	10178697 (49839459)	\$31.00
09-04-00005	Valve Seal (includes, seal, o-ring, & hoop)	10178978 (49839616)	\$20.00
09-04-00023	O-Ring 5/64" x 13/64" x 1/16"		\$1.00
09-04-00025	On/Off Valve Repair Kit, Yellow Seal	05116025	\$116.00



KMT Valve Repair Kit

Valve & Cutting Head Parts

Chukar P/N	Description	Replaces	Price
09-04-00006	Body On/Off Valve H.P.	10189181	\$350.00
09-04-00008	Abrasive Insert .030	5076955	\$135.00
09-04-00009	Abrasive Insert .043	05135827	\$135.00
09-04-00010	Nut-Nozzle,	5116009	\$78.00
09-04-00011	Spacer-Ring, Backup, Valve, On/Off	10187250	\$20.00



KMT Waterjet Systems™/ IR Equipment

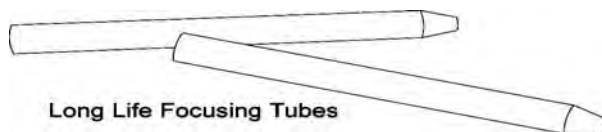
On/Off Valve Parts

Chukar P/N	Description	Replaces	Price
09-04-00001	Nozzle Tube 3/8" Diameter, X 6.00 Lg.	10138428 (49839749)	\$188.50
09-04-31237	Nozzle Tube 3/8" Diameter x 8.00 Lg.	10138444	\$207.34



Nozzle Tube 3/8" Diameter x 6.00 Length

09-04-00012	Nozzle Tube, HP Connector	10138584	\$201.60
09-04-00013	O-Ring, 3/8" X 5/8" X 1/8"	10074227	\$2.00
09-04-00014	O-Ring, 5/64" X 13/64" X 1/16"	49895584	\$2.00
09-04-00015	O-Ring, 7/16 X 9/16 X 1/16 Polyurethane	5081526	\$1.25
09-04-00016	O-Ring 3/4 X 5/8 X 1/16 Polyurethane	5092887	\$3.00
09-04-00017	O-Ring 3/8 X 1/2 X 1/16 Polyurethane	5081518	\$1.25
09-04-00018	Body-Valve, Quick-Release, On/Off, HP	05147624	\$230.00
09-04-00019	6" Ext Tube – Quick Release		\$248.00
09-04-00020	O-ring Kit, KMT Abrasive Head Autoline		\$3.00
09-04-00021	Assembly, Actuator, NC, KMT	10177855	\$495.00
09-04-00022	Assembly, Actuator, NO, KMT	10189553	\$495.00



Long Life Focusing Tubes

Nozzles (Focusing Tubes) .371" Dia. O.D.

Chukar P/N	Description	Replaces	Price
09-05-50020	3" Long Life Focusing Tube (.020 ID)		\$85.00
09-05-50030	3" Long Life Focusing Tube (.030 ID)	49837933	\$85.00
09-05-50040	3" Long Life Focusing Tube (.040 ID)	49837941	\$85.00
09-05-50045	3" Long Life Focusing Tube (.045 ID)		\$85.00
09-05-50050	3" Long Life Focusing Tube (.050 ID)		\$85.00
09-05-50060	3" Long Life Focusing Tube (.060 ID)		\$102.00

Ultramant Gold Long Life Nozzles (Focusing Tubes) .371" Dia. O.D.

20% Longer life than Standard Long Life Nozzle

09-05-50030LL	3" Ultramant Gold Long Life Focusing Tubes (.030 ID)		\$119.00
09-05-50040LL	3" Ultramant Gold Long Life Focusing Tubes (.040 ID)		\$119.00



KMT Waterjet Systems™/ IR Equipment

Orifices

Chukar P/N	Description	Replaces	Price
09-06-50001-XXX	Sapphire Orifice - Long Stem (Water Only) Sizes: .004", .005", .006", .007", .008", .009", .010", .011", .012", .013", .014", .015", .016", .018", .026" Call for Special Sizes	A22600-Xxx	\$14.50
09-06-50003-Xxx	Ruby Orifice - Long Stem (Water Only) Sizes: .004", .005", .006", .007", .008", .009", .010", .011", .012", .013", .014", .015", .016" Call for Special Sizes	A22600-Xxx	\$14.50
09-06-50005-Xxx	Diamond Orifice – Long Stem (Water Only) Sizes: .004", .005", .006", .007", .008", .010", .011", .012", .013", .014", .015", .016" Call for Special Sizes	A22600-Xxx	\$299.00



Long Stem Orifice Assembly

09-06-50002-XXX	Sapphire Orifice – Autoline Sizes: .005", .006", .007", .008", .009", .010", .011", .012", .013", .014", .015", .016", .018" Call for Special Sizes	05109-Xxx	\$14.50
09-06-50002-Rxx	Ruby Orifice – Autoline Sizes: .005", .006", .007", .008", .009", .010", .011", .012", .013", .014", .015", .016", Call for Special Sizes	05109-Xxx	\$14.50
09-06-50004-Xxx	Diamond Orifice – Autoline Sizes: .004", .005", .006", .007", .008", .009", .010", .011", .012", .013", .014", .015", .016", .017", .018", .020" Call for Special Sizes	05109-Xxx	\$299.00



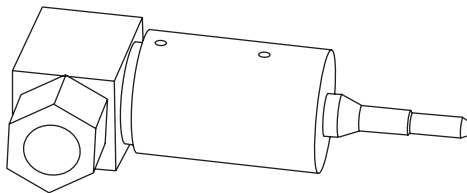
Autoline Orifice Assembly



KMT Waterjet Systems™/ IR Equipment

Swivels

Chukar P/N	Description	Replaces	Price
09-07-00001	Swivel Joint-90 Deg Single .25 M/F	CJ201288 (49839780)	\$1247.00
09-07-00002	Swivel Joint-90 Deg Single .25 F/F	CJ218188 (49839905)	\$1247.00



KMT Swivel M/F

Swivel Parts Kits

Chukar P/N	Description	Replaces	Price
09-07-00003	Swivel Joint Rebuild Kit	5116009 (No Change)	\$72.54
09-07-00004	Shaft, Swivel, 90 Degree, 1/4"	49869491	\$341.00
09-07-00005	Bushing-Shaft, Joint, Swivel, 90		\$67.75
09-07-00006	Cap-Swivel, 90 Deg, 1/4" M/F		\$190.00
09-07-00007	Body-Swivel, 90 Degree, 1/4"	49839525	\$575.00
09-07-00008	Cap-Swivel, 90 Deg, 1/4" , F/F		\$190.00
09-07-00009	Shaft, Swivel, 90 Degree, 1/4"	49839434/90960021	\$341.00

Miscellaneous Parts and Accessories

Chukar P/N	Description	Replaces	Price
09-08-00001	Double Cone Plug	10079291	\$12.00

*UHP Tubing and Fittings are found on pages 5 and 6



Jet Edge® Equipment

Intensifier Pumps

1 Inch UHP Pump Parts Kits

Chukar P/N	Description	Replaces	Price
10-01-00003	KIT, High Pressure “Water” Seal for 1” Plunger	N/A	\$110.52
10-01-35572	(4) Hoop, Backup 1”	35572	\$11.88 ea
10-01-35574	(4) Seal Assembly High Pressure 1”	35574	\$15.75 ea
10-01-00004	KIT, High Pressure “Water” Seal for 1” Plunger		
With Backup Ring		\$169.52	
10-01-35572	(4) Hoop, Backup 1”	35572	\$11.88 ea
10-01-35574	(4) Seal Assembly High Pressure 1”	35574	\$15.75 ea
10-01-101914	(2) Consumable Backup Disk	101914	\$29.50 ea
10-01-102420	KIT, Conversion, Backup Disk 1”	102420	\$150.00
10-01 101913	(1) Backup Ring 1”	101913	\$74.00
10-01-101914	(1) Consumable Backup Disk 1”	101914	\$29.50
10-01-25953	(1) Seal, Rod, Hydraulic 1”	25953	\$4.75
10-01-26471	(1) O-Ring	26471	\$1.00
10-01-26472	(1) Ring, Parbak, Backup	26472	\$1.00
10-01-35572	(2) Hoop, Backup 1”	35572	\$11.88 ea
10-01-35574	(2) Seal Assembly, High Pressure 1”	35574	\$15.75 ea

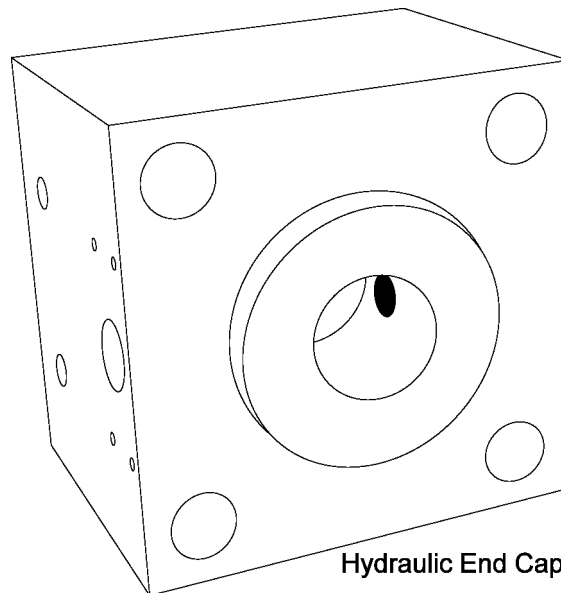


Jet Edge® Equipment

Intensifier Pumps

1 Inch UHP Pump Parts

Chukar P/N	Description	Replaces	Price
10-01-65065	1" Intensifier Assembly	65065	\$14,500.00
10-01-55566	Piston	55566	\$260.52
10-01-27602	Piston Seal Assembly	27602	\$101.20
10-01-25001	Wear Ring	25001	\$5.29
10-01-45005	Hydraulic Cylinder Tube	45005	\$206.25
10-01-45690	Plunger Coupler	45690	\$302.50
10-01-45003	Plunger Retainer	45003	\$132.69
10-01-35565	Plunger 1"	35565	\$2250.00
10-01-27339	Set Screw Cone Point 5/16"-18X1/2"	27339	\$2.50
10-01-55360	Hydraulic End Cap	55360	\$1292.50
10-01-35567	Bearing Sleeve	35567	\$245.50
10-01-25953	Seal, Rod	25953	\$4.75
10-01-26471	O-Ring	26471	\$1.00
10-01-36006	Tie-Rod	36006	\$249.21
10-01-101913	Backup Ring	101913	\$74.00



Hydraulic End Cap

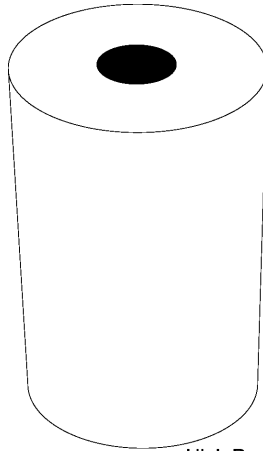


Jet Edge® Equipment

Intensifier Pumps

1 Inch UHP Pump Parts

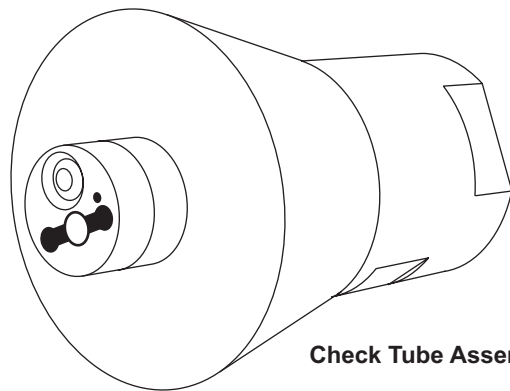
Chukar P/N	Description	Replaces	Price
10-01-101914	Consumable Backup Rings	101914	\$29.50
10-01-35574	High Pressure Seal	35574	\$15.75
10-01-35572	Hoop	35572	\$11.88
10-01-35576	Tube, Backup	35576	\$116.60
10-01-106882	High Pressure Cylinder	106882	\$700.00
10-01-45691	End Cap, High Pressure	45691	\$728.75
10-01-25947	O-Ring	25947	\$1.00
10-01-26472	Backup Ring	26472	\$1.00



High Pressure Cylinder

1 Inch UHP Check Valve Repair Parts Kits

Chukar P/N	Description	Replaces	Price
10-02-105027	Check Tube Assembly Complete 1" Plunger	105027	\$570.00
10-02-104874	(1) Tube, Check 1"	104874	\$530.00
10-02-104047	(1) Low Pressure Poppet (Inlet Poppet)	104047	\$28.50
10-02-104431	(1) Screw, ¼-28 UNF, Hollow	104431	\$10.45
10-02-105023	(1) Assembly, Housing, Poppet 1"	105023	\$48.00



Check Tube Assembly



Jet Edge® Equipment

Intensifier Pumps

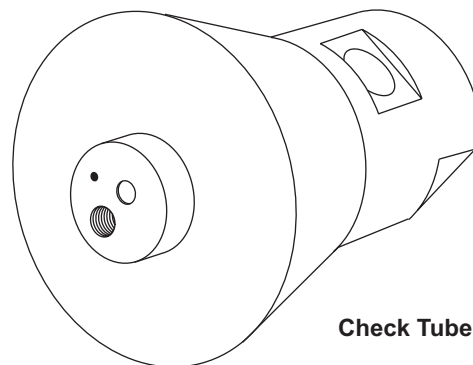
1 Inch UHP Check Valve Repair Parts Kits

Chukar P/N	Description	Replaces	Price
10-02-00001	KIT: 1" Check Valve Repair		\$122.00
10-02-104431	(1) Screw, Check Tube ¼-28 UNF, Hollow	104431	\$10.45
10-02-35662	(1) High Pressure Poppet	35662	\$25.13
10-02-25648	(1) High Pressure Poppet Spring	25648	\$2.50
10-02-35367	(1) High Pressure Seat	35367	\$15.38
10-02-105023	(1) Assembly, L/P Housing, Poppet 1"	105023	\$48.00
10-02-104047	(1) Low Pressure Poppet (Inlet Poppet)	104047	\$28.50

Intensifier Pumps

1 Inch UHP Check Valve Repair Parts

Chukar P/N	Description	Replaces	Price
10-02-35697	Body Poppet	35697	\$117.50
10-02-35662	Poppet	35662	\$25.13
10-02-35367	Seat, Check	35367	\$15.38
10-02-25648	Spring Check	25648	\$2.50
10-02-104047	Low Pressure Poppet, Inlet Poppet	104047	\$28.50
10-02-45009	Coupling, Gland	45009	\$69.88
10-02-104874	Tube, Check 1"	104874	\$530.00
10-02-105023	Assembly, L/P Housing, Poppet 1"	105023	\$48.00
10-02-104431	Screw, Check Tube ¼-28 UNF, Hollow	104431	\$10.45

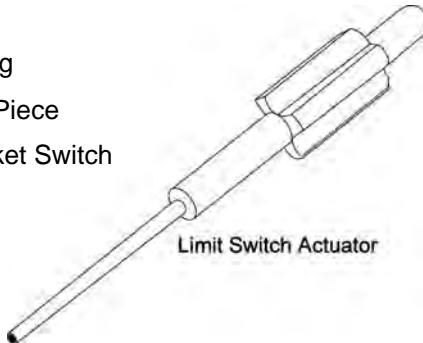


Jet Edge® Equipment

Intensifier Pumps

1 Inch UHP Actuator Assembly Parts

Chukar P/N	Description	Replaces	Price
10-01-25003	Ring Backup	25003	\$3.00
10-01-25002	O-Ring	25002	\$3.00
10-01-36008	Actuator, Limit Switch	36008	\$186.02
10-01-25009	O-Ring	25009	\$1.00
10-01-25007	O-Ring	25007	\$1.00
10-01-25008	Backup Ring	25008	\$1.00
10-01-25011	Spring; Die	25011	\$4.62
10-01-35006	Cap, Actuator	35006	\$88.42
10-01-35008	Washer, Spring	35008	\$7.62
10-01-35512	Collar, Set, 1-Piece	35512	\$40.70
10-01-35577	Actuator Bracket Switch	35577	\$49.28



UHP Bleed Down Valve

Chukar P/N	Description	Replaces	Price
10-03-56114	Assembly, Bleed-Down Valve III	56114	\$1,157.00

UHP Bleed Down Parts Kit

Chukar P/N	Description	Replaces	Price
10-04-104497	KIT, Repair, Bleed Down Valve III / OmniJet III	104497	\$52.00
10-03-36826	(1) Seat, OmniJet II & III, Bleed Down II & III	36826	\$15.00
10-03-101843	(1) Needle, OmniJet III, Bleed Down III	101843	\$13.50
10-03-37135	(1) Seal, OmniJet III, Bleed Down III	37135	\$8.75
10-03-37136	(1) Bearing, Needle, OmniJet III, Bleed Down III	37136	\$16.50

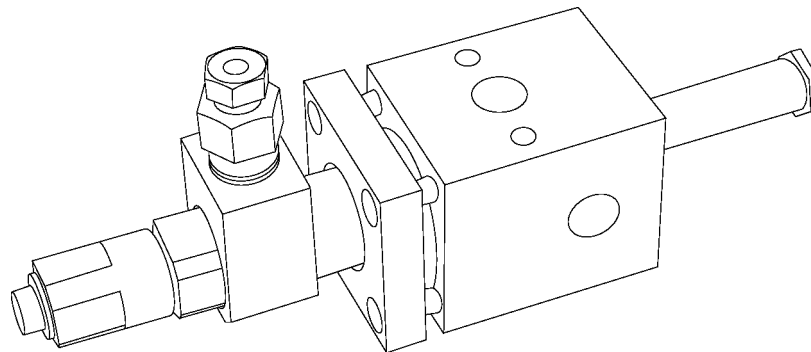


Jet Edge® Equipment

Intensifier Pumps

UHP Bleed Down Parts

Chukar P/N	Description	Replaces	Price
10-03-36878	Adaptor Nut	36878	\$102.18
10-03-36826	Seat, OmniJet II	36826	\$15.00
10-03-46627	Valve Body OmniJet II	46627	\$119.00
10-03-101843	Needle, (New Style)	101843	\$13.50
10-03-37135	Seal, OmniJet III	37135	\$8.75
10-03-37136	Bearing, Needle	37136	\$16.50
10-03-46376	Screw, Seal Backup	46376	\$102.11
10-03-36880	Ring, Valve Mount	36880	\$107.58
10-03-46377	Piston Housing	46377	\$290.13
10-03-28598	Seal, Piston	28598	\$5.07
10-03-36881	Piston Actuator	36881	\$58.91
10-03-36884	Collar, Inlet Water	36884	\$76.67
10-08-26218	Adaptor, 3/8" M x 1/4" F	26218	\$62.49
10-03-27538	Valve, Solenoid OP Directional Control	27538	\$127.19
10-03-27665	Solenoid Connector	27665	\$9.83
10-03-27600	Coil, Solenoid 120 VAC	27600	\$76.60
10-03-27601	Coil, Solenoid 24 VDC	27601	\$60.39
10-03-36919	Diffuser	36919	\$48.00
10-03-36873	Tool, Seal	36873	\$28.00



Bleed Down Valve III



Jet Edge® Equipment

Intensifier Pumps

7/8 Inch UHP Pump Parts Kits

Chukar P/N	Description	Replaces	Price
10-01-00001	KIT, High Pressure “Water” Seal for 7/8” Plunger		\$109.60
10-01-35364	(4) 35364 Hoop, Backup 7/8”	35364	\$12.40 ea
10-01-35373	(4) 35373 Seal Assembly, High Pressure 7/8”	35373	\$15.00 ea
10-01-00002	KIT, High Pressure “Water” Seal for 7/8” Plunger with Back up Ring		\$168.60
10-01-35364	(4) 35364 Hoop, Backup 7/8”	35364	\$12.40 ea
10-01-35373	(4) 35373 Seal Assembly, High Pressure 7/8”	35373	\$15.00 ea
10-01-101912	(2) 101912 Consumables Backup Disk	101912	\$29.50 ea
10-01-102419	KIT, Conversion, Backup Disk 7/8”	102419	\$150.00
10-01-101911	(1) Backup Ring 7/8”	101911	\$74.00
10-01-101912	(1) Consumable Backup Disk 7/8”	101912	\$29.50
10-01-25954	(1) Seal, Rod Hydraulic 7/8”	25954	\$4.85
10-01-26471	(1) O-Ring	26471	\$1.00
10-01-26472	(1) Ring, Parbak, Backup	26472	\$1.00
10-01-35364	(2) Hoop, Backup 7/8”	35364	\$12.40 ea
10-01-35373	(2) Seal Assembly, High Pressure 7/8”	35373	\$15.00 ea

7/8 Inch UHP Pump Parts

Chukar P/N	Description	Replaces	Price
10-01-65015	7/8” Intensifier Assembly	65015	\$14,200.00
10-01-45390	Piston	45390	\$335.78
10-01-27603	Piston Seal Assembly	27603	\$150.37
10-01-25948	Wear Ring	25948	\$7.25
10-01-35564	Hydraulic Cylinder Tube	35564	\$165.00
10-01-45392	Plunger Coupler	45392	\$343.75
10-01-45393	Plunger Retainer	45393	\$224.68
10-01-35566	Plunger 7/8”	35566	\$1950.00
10-01-27605	SetScrew Cone Point 5/16” -18X1/2”	27605	\$2.50
10-01-55219	Hydraulic End Cap	55219	\$1,526.25

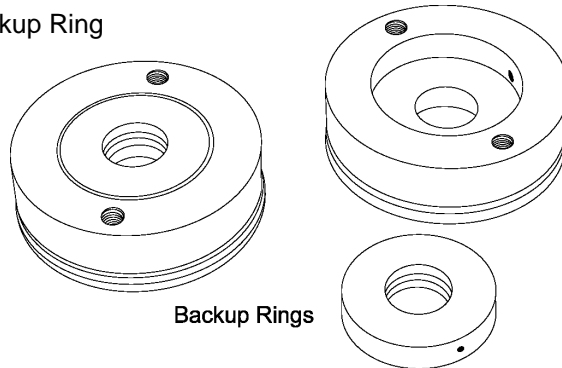


Jet Edge® Equipment

Intensifier Pumps

7/8 Inch UHP Pump Parts

Chukar P/N	Description	Replaces	Price
10-01-35568	Bearing Sleeve	35568	\$299.44
10-01-25954	Seal, Rod	25954	\$4.85
10-01-26471	O-Ring	26471	\$1.00
10-01-35569	Tie-Rod	35569	\$205.15
10-01-101911	Backup Ring	101911	\$74.00
10-01-101912	Consumable Backup Rings	101912	\$29.50
10-01-35364	Hoop, Backup 7/8"	35364	\$12.40
10-01-35373	Seal Assembly, High Pressure 7/8"	35373	\$15.00
10-01-35363	Tube, Backup	35363	\$100.00
10-01-45395	High Pressure Cylinder	45395	\$550.00
10-01-45727	End Cap, High Pressure	45727	\$759.00
10-01-25947	O-Ring	25947	\$1.00
10-01-26472	Backup Ring	26472	\$1.00



7/8 Inch UHP Check Valve Parts Kits

Chukar P/N	Description	Replaces	Price
10-02-105026	Check Tube Assembly Complete 7/8" Plunger	105026	\$570.00
10-02-104877	(1) Tube, Check 7/8"	104877	\$530.00
10-02-104047	(1) Low Pressure Poppet (Inlet Poppet)	104047	\$28.50
10-02-104431	(1) Screw, Check Tube 1/4-28 UNF, Hollow	104431	\$10.45
10-02-105021	(1) Assembly, Housing, Poppet 7/8"	105021	\$48.00

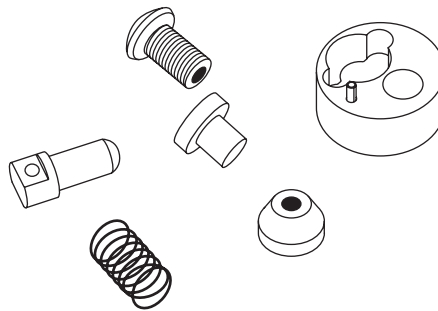


Jet Edge® Equipment

Intensifier Pumps

7/8 Inch UHP Check Valve Parts Kits

Chukar P/N	Description	Replaces	Price
10-02-00002	KIT, 7/8" Check Valve Repair		\$117.00
10-02-104431	(1) Screw, Check Tube ¼-28 UNF, Hollow	104431	\$10.45
10-02-35662	(1) High Pressure Poppet	35662	\$25.13
10-02-25648	(1) High Pressure Poppet Spring	25648	\$2.50
10-02-35367	(1) High Pressure Seat	35367	\$15.38
10-02-105021	(1) Assembly, Housing, Poppet 7/8"	105021	\$48.00
10-02-104047	(1) Low Pressure Poppet (Inlet Poppet)	104047	\$28.50



Jet Edge Check Valve Parts

7/8 Inch UHP Check Valve Parts

Chukar P/N	Description	Replaces	Price
10-02-35697	Body Poppet	35697	\$117.50
10-02-35662	Poppet	35662	\$25.13
10-02-35367	Seat, Check	35367	\$15.38
10-02-25648	Spring Check	25648	\$2.50
10-02-104047	Low Pressure Poppet (Inlet Poppet)	104047	\$28.50
10-02-45009	Coupling, Gland	45009	\$69.88
10-02-104877	Tube, Check 7/8"	104877	\$530.00
10-02-105021	Assembly, Housing, Poppet 7/8"	105021	\$48.00
10-02-104431	Screw, Check Tube ¼-28 UNF, Hollow	104431	\$10.45

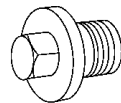


Jet Edge® Equipment

Intensifier Pumps

7/8 Inch UHP Actuator Assembly Parts

Chukar P/N	Description	Replaces	Price
10-01-25950	Ring Backup	25950	\$3.00
10-01-25951	O-Ring	25951	\$3.00
10-01-35575	Actuator, Limit Switch	35575	\$195.32
10-01-25009	O-Ring	25009	\$1.00
10-01-25007	O-Ring	25007	\$1.00
10-01-25008	Backup Ring	25008	\$1.00
10-01-25011	Spring; Die	25011	\$4.62
10-01-35006	Cap, Actuator	35006	\$88.42
10-01-35008	Washer, Spring	35008	\$7.62
10-01-35512	Collar, Set, 1-Piece	35512	\$36.27
10-01-35577	Actuator Bracket Switch	35577	\$49.28



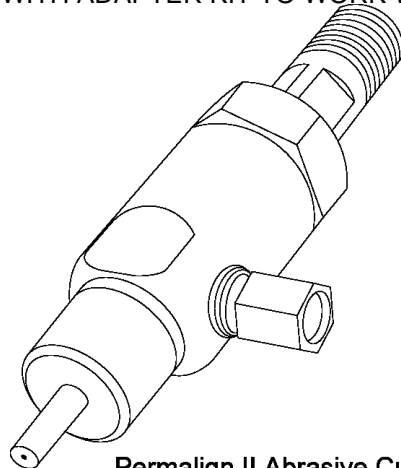
Actuator Cap

Permalign II-B Abrasive Cutting Head

Chukar P/N	Description	Replaces	Price
10-04-100150	Permalign II Abrasive Head, J/E Direct Replacement	100150	\$498.00
10-04-102812	Permalign II Abrasive Head, w/Flow Adapter	102812	\$598.00
10-04-104420	Permalign II Abrasive Head, w/KMT Adapter	104420	\$698.00

Permalign II Abrasive Cutting Head

ALSO SOLD WITH ADAPTER KIT TO WORK WITH YOUR FLOW OR KMT MACHINE



Permalign II Abrasive Cutting Head



Jet Edge® Equipment

Why Permalign II?

- **Guaranteed Alignment!!**
 - Ability to run a diamond orifice that provides perfect alignment due to the single bore size of the body. This aligns the nozzle to the orifice mount in a single machine operation.
- **Diamonds guaranteed for 500 hours against defects.**
 - Average life is 1200 hours or more.
- **Allows the use of ruby or sapphires in the same body.**
 - Allows you to change just the orifice mount when switching orifice sizes or if you have blown an orifice.
- **Replaceable Mixing Chamber that lasts about 600 hours or more!!**
 - You don't have to send out the entire head for maintenance.
- **Simple to use. Timesaving.**
- **Patented design reduces overall maintenance and operational costs.**
 - As much as \$1873.00 less in 4000 test runs.

Permalign II-B Abrasive Cutting Head Orifices

Chukar P/N	Description *	Replaces	Price
10-06-100159-xxx	Sapphire, 0.003~0.020 inch size range	100159-xxx	\$18.00
10-06-100158-xxx	Diamond, 0.003~0.020 inch size range	100158-xxx	\$425.00
10-06-101526-xxx	Ruby, 0.003~0.030 inch size range	101526-xxx	\$18.00



Abrasive Cutting
Head Orifice

* The last three digits of the part number specify the orifice size. For example; Part number 10-06-100159-012 is a sapphire orifice with a 0.012 inch opening



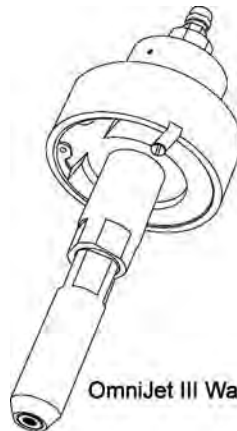
Jet Edge® Equipment

Permalign II-B Abrasive Cutting Head Parts

Chukar P/N	Description	Replaces	Price
10-04-100151	Adaptor, X-Type	100151	\$150.00
10-04-100152	Gland, X-Type	100152	\$55.62
10-04-102900	Body, X-Type Cutting Head Compression	102900	\$218.10
10-04-100155	Mixing Chamber, X-Type	100155	\$77.25
10-04-103033	Cap, Compression Locking Body X-Type	103033	\$25.95
10-04-100157	Inlet, X-Type	100157	\$37.50
10-05-36384	Nozzle, .045 X 2 X .250 Standard. (T)	36384	\$57.66
10-06-100159012	Orifice Assembly, Permalign II	100159012	\$18.00
10-04-103032	Collar Compression Locking, Body X-Type	103032	\$4.85
10-04-29683	Pierce Shield	29683	\$14.43

OmniJet III Waterjet Cutting Head

Chukar P/N	Description	Replaces	Price
10-04-56022	OmniJet III Assembly	56022	\$1,200.00



OmniJet III Waterjet Cutting Head

OmniJet III Waterjet Cutting Head Parts

Chukar P/N	Description	Replaces	Price
10-04-46338	Housing, Cylinder OmniJet III	46338	\$342.02
10-04-36825	Shaft, Cylinder, OmniJet III	36825	\$159.76
10-04-28520	Bearing, Rod OmniJet III	28520	\$61.19
10-03-37136	Bearing, Needle	37136	\$16.50
10-04-28555	Spring, Die	28555	\$21.12
10-04-36829	Piston, OmniJet III	36829	\$149.05
10-04-46337	End Cap, Cylinder OmniJet III	46337	\$372.51



Jet Edge® Equipment

OmniJet III Waterjet Cutting Head Parts (continued)

Chukar P/N	Description	Replaces	Price
10-04-28521	Key, OmniJet III	28521	\$15.18
10-04-45793012	O-Ring	45793012	\$1.00
10-04-45793008	O-Ring	45793008	\$1.00
10-04-28596	Label	28596	\$5.50
10-04-28556	Retaining Ring	28556	\$33.44
10-04-45793149	O-Ring	45793149	\$1.00
10-03-46627	Valve Body OmniJet III	46627	\$119.00
10-04-100289	Connector, Poly Tite, 1/8 MPT x 1/4 OD M	100289	\$2.93
10-03-37135	Seal, OmniJet III/Bleed Down III	37135	\$8.75

OmniJet III Waterjet Cutting Head Parts

Chukar P/N	Description	Replaces	Price
10-03-101843	Needle, OmniJet III/Bleed Down Valve III	101843	\$13.50
10-03-36826	Seat, OmniJet II III/Bleed Down II III	36826	\$15.00
10-04-36827	Mount, Orifice, OmniJet III	36827	\$325.09
10-04-28557	Vent, Breather, 1/8 "NPT	28557	\$2.20
10-06-36874008	Orifice Assembly, Water, 7/16-20 Threaded	36874008	\$24.00
10-04-28579	Seal, Piston, OmniJet III	28579	\$28.68
10-08-26218	Nozzle Adaptor, 3/8" M x 1/4" F	26218	\$62.49
10-04-100285	Tubing, White Polyethylene, 1/4" ID (Per FT)	100285	\$0.95



Jet Edge® Equipment

Dual Pressure Valve

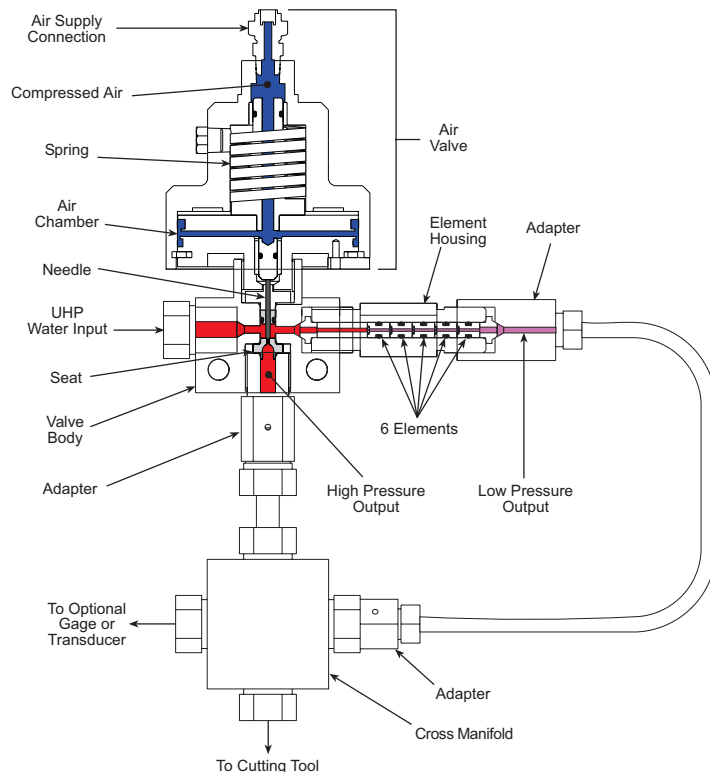
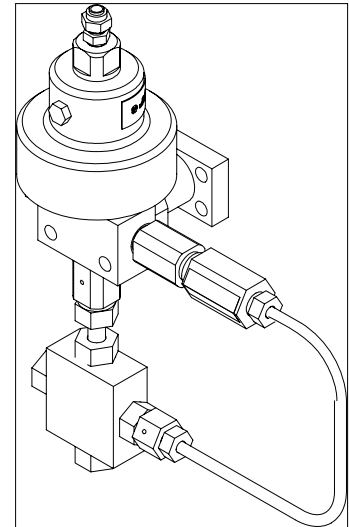
Chukar P/N	Description	Replaces	Price
10-04-100872	Dual Pressure Valve Assembly	100872	\$3000.00

The patented Jet Edge Dual Pressure Valve is a remotely mounted valve that allows waterjet operators to control water pressure independently of the intensifier pump. This enables operators to run one or more tables or cutting stations at various pressures. In low-pressure piercing applications, the Dual Pressure Valve can increase productivity by allowing operators to reduce and raise water pressure without having to wait for the intensifier pump to drop to the lower pressure or rise to the higher pressure.

Low pressure is used for piercing hard materials such as ceramics, glass, or laminates without fracturing the material. When piercing is complete, high pressure is selected for cutting.

The Jet Edge Dual Pressure Valve will operate with any manufacturer's pump, cutting head, or cutting system, and is fully configurable for pressure change ratios. Connection points are standard 60,000 psi-type. The Dual Pressure Valve is pneumatically operated and must be used in conjunction with another normally closed on/off valve or cutting head.

When compressed air is applied to the air valve the full output of the intensifier pump is sent to the waterjet. When the compressed air is removed, the UHP water is routed through a series of elements that reduce the water pressure to the waterjet.



LOW PRESSURE PIERCING

Adding a Dual Pressure Valve to your Waterjet System

Order the Dual Pressure Valve Assembly (Part Number: 10-04-100872).
Complete as shown for \$3000.00

To determine the orifice element(s) needed for a specific cutting /cleaning application you will need to know the following:

- 1).The system pressure
- 2).The desired low pressure
- 3). The orifice size in the waterjet(s)

With this information we can assist you with orifice sizing for your Dual Pressure Valve. Depending on the lower pressure necessary you will need from one to six orifice assemblies.

Part Numbers:	10-06-102814-xxx	Sapphire	\$72.93/each
	10-06-104834-xxx	Ruby	\$80.00/each

Upon receipt, mount the valve assembly in a suitable location, ideally within 60” of the on/off valve cutting head assembly on the motion control system. A mounting plate is provided.

Connect the air supply line to the air inlet. You will need to install a manual pneumatic switch or pneumatic solenoid if the air supply will be operated by controller program.

Remove the UHP supply line from the existing cutting head assembly and connect it to the Dual Pressure Valve. An additional UHP supply line from the Dual Pressure Valve to the existing cutting head assembly will be required.



Jet Edge® Equipment

Nozzles (Focusing Tubes)

Standard Life

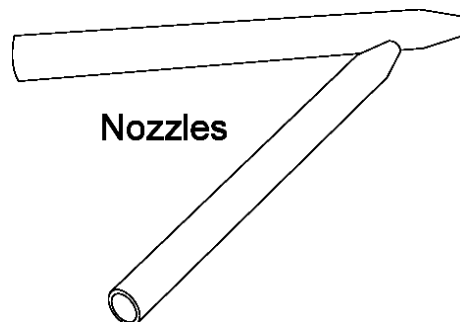
Chukar P/N	Description	Replaces	Price
10-05-36419	2.0 x 0.035 x 0.25 in (50.8 x 0.889 x 6.35 mm)	36419	\$30.00
10-05-36384	2.0 x 0.045 x 0.25 in (50.8 x 1.143 x 6.35 mm)	36384	\$57.66
10-05-36504	3.0 x 0.065 x 0.25 in (76.2 x 1.651 x 6.35 mm)	36504	\$84.81

Mid Life

Chukar P/N	Description	Replaces	Price
10-05-30647	.250 x .030 x 3.0 in, L.L Nozzle	30647	\$85.00
10-05-30648	.250 x .040 x 3.0 in, L.L Nozzle	30648	\$85.00
10-05-30649	.250 x .045 x 3.0 in, L.L Nozzle	30649	\$85.00

Long Life

Chukar P/N	Description	Replaces	Price
10-05-36780	1.5 x 0.020 x 0.25 in (38.1 x 0.508 x 6.35 mm) (RT100)	36780	\$85.00
10-05-36781	2.0 x 0.030 x 0.25 in (50.8 x 0.762 x 6.35 mm) (RT100)	36781	\$85.00
10-05-36937	3.0 x 0.030 x 0.25 in (76.2 x 0.762 x 6.35 mm) (RT100)	36937	\$85.00
10-05-101159	3.0 x 0.040 x 0.25 in (76.2 x 1.016 x 6.35 mm) (RT100)	101159	\$85.00
10-05-36769	3.0 x 0.045 x 0.25 in (76.2 x 1.143 x 6.35 mm) (RT100)	36769	\$85.00
10-05-103813	3.0 x 0.045 x 0.25 in (76.2 x 1.143 x 6.35 mm) (RT500)	103813	\$185.00
10-05-104522	4.0 x 0.030 x 0.25 in (101.6 x 0.762 x 6.35mm) (RT100)	104522	\$125.00
10-05-104518	4.0 x 0.040 x 0.25 in (101.6 x 1.016 x 6.35mm) (RT100)	104518	\$125.00
10-05-37261	4.0 x 0.045 x 0.25 in (101.6 x 1.143 x 6.35mm) (RT100)	37261	\$125.00



Jet Edge® Equipment

Orifices *

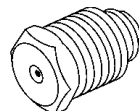
Dual Pressure Valve Only

Chukar P/N	Description	Replaces	Price
10-06-102814-xxx	Orifice, Sapphire	102814-xxx	\$72.93
10-06-104834-xxx	Orifice, Ruby	104834-xxx	\$80.00

Water Only Style

Chukar P/N	Description	Replaces	Price
10-06-100546-004	Orifice, Water, 7/16-20 Threaded, Sapphire, High Performance	100546-004	\$38.50
10-06-100546-005	Orifice, Water, 7/16-20 Threaded, Sapphire, High Performance	100546-005	\$38.50
10-06-100546-006	Orifice, Water, 7/16-20 Threaded, Sapphire, High Performance	100546-006	\$38.50
10-06-100546-007	Orifice, Water, 7/16-20 Threaded, Sapphire, High Performance	100546-007	\$38.50
10-06-100546-008	Orifice, Water, 7/16-20 Threaded, Sapphire, High Performance	100546-008	\$38.50
10-06-100546-009	Orifice, Water, 7/16-20 Threaded, Sapphire, High Performance	100546-009	\$38.50
10-06-100546-010	Orifice, Water, 7/16-20 Threaded, Sapphire, High Performance	100546-010	\$38.50
10-06-100546-011	Orifice, Water, 7/16-20 Threaded, Sapphire, High Performance	100546-011	\$38.50
10-06-100546-012	Orifice, Water, 7/16-20 Threaded, Sapphire, High Performance	100546-012	\$38.50
10-06-100546-013	Orifice, Water, 7/16-20 Threaded, Sapphire, High Performance	100546-013	\$38.50
10-06-100546-014	Orifice, Water, 7/16-20 Threaded, Sapphire, High Performance	100546-014	\$38.50
10-06-100546-015	Orifice, Water, 7/16-20 Threaded, Sapphire, High Performance	100546-015	\$38.50
10-06-100546-016	Orifice, Water, 7/16-20 Threaded, Sapphire, High Performance	100546-016	\$38.50
10-06-100546-018	Orifice, Water, 7/16-20 Threaded, Sapphire, High Performance	100546-018	\$38.50
10-06-100546-020	Orifice, Water, 7/16-20 Threaded, Sapphire, High Performance	100546-020	\$38.50
10-06-100546-024	Orifice, Water, 7/16-20 Threaded, Sapphire, High Performance	100546-024	\$38.50
10-06-100546-027	Orifice, Water, 7/16-20 Threaded, Sapphire, High Performance	100546-027	\$38.50
10-06-100546-030	Orifice, Water, 7/16-20 Threaded, Sapphire, High Performance	100546-030	\$38.50
10-06-100546-038	Orifice, Water, 7/16-20 Threaded, Sapphire, High Performance	100546-038	\$103.55
10-06-100546-040	Orifice, Water, 7/16-20 Threaded, Sapphire, High Performance	100546-040	\$103.55

• High cohesive style orifice (also called high performance) produces a longer water stream core for cutting thicker Materials. It requires a box end wrench to install it.



High Performance
Water Only Orifice



Jet Edge® Equipment



Hex Head Orifice

Orifices *

Water Only Style

Chukar P/N	Description	Replaces	Price
10-06-36874-003	Orifice Assembly, Water, 7/16-20 Threaded, Sapphire	36874-003	\$24.00
10-06-36874-004	Orifice Assembly, Water, 7/16-20 Threaded, Sapphire	36874-004	\$24.00
10-06-36874-005	Orifice Assembly, Water, 7/16-20 Threaded, Sapphire	36874-005	\$24.00
10-06-36874-006	Orifice Assembly, Water, 7/16-20 Threaded, Sapphire	36874-006	\$24.00
10-06-36874-007	Orifice Assembly, Water, 7/16-20 Threaded, Sapphire	36874-007	\$24.00
10-06-36874-008	Orifice Assembly, Water, 7/16-20 Threaded, Sapphire	36874-008	\$24.00
10-06-36874-009	Orifice Assembly, Water, 7/16-20 Threaded, Sapphire	36874-009	\$24.00
10-06-36874-010	Orifice Assembly, Water, 7/16-20 Threaded, Sapphire	36874-010	\$24.00
10-06-36874-011	Orifice Assembly, Water, 7/16-20 Threaded, Sapphire	36874-011	\$24.00
10-06-36874-012	Orifice Assembly, Water, 7/16-20 Threaded, Sapphire	36874-012	\$24.00
10-06-36874-013	Orifice Assembly, Water, 7/16-20 Threaded, Sapphire	36874-013	\$24.00
10-06-36874-014	Orifice Assembly, Water, 7/16-20 Threaded, Sapphire	36874-014	\$24.00
10-06-36874-015	Orifice Assembly, Water, 7/16-20 Threaded, Sapphire	36874-015	\$24.00
10-06-36874-016	Orifice Assembly, Water, 7/16-20 Threaded, Sapphire	36874-016	\$24.00
10-06-36874-020	Orifice Assembly, Water, 7/16-20 Threaded, Sapphire	36874-020	\$24.00
10-06-37111-021	Orifice Assembly, Water, 7/16-20 Threaded, Sapphire	37111-021	\$38.00
10-06-37111-023	Orifice Assembly, Water, 7/16-20 Threaded, Sapphire	37111-023	\$38.00
10-06-37111-024	Orifice Assembly, Water, 7/16-20 Threaded, Sapphire	37111-024	\$38.00
10-06-37111-027	Orifice Assembly, Water, 7/16-20 Threaded, Sapphire	37111-027	\$38.00
10-06-37111-030	Orifice Assembly, Water, 7/16-20 Threaded, Sapphire	37111-030	\$38.00
10-06-37111-032	Orifice Assembly, Water, 7/16-20 Threaded, Sapphire	37111-032	\$38.00
10-06-37111-034	Orifice Assembly, Water, 7/16-20 Threaded, Sapphire	37111-034	\$38.00
10-06-37111-036	Orifice Assembly, Water, 7/16-20 Threaded, Sapphire	37111-036	\$38.00
10-06-37111-038	Orifice Assembly, Water, 7/16-20 Threaded, Sapphire	37111-038	\$38.00

- The water style orifice is general purpose orifice. It requires a hex wrench (Allen Wrench) to install it.



Jet Edge® Equipment

Orifices *

Water Only Style

Chukar P/N	Description	Replaces	Price
10-06-37111-040	Orifice Assembly, Water, 7/16-20 Threaded, Sapphire	37111-040	\$38.00
10-06-37111-042	Orifice Assembly, Water, 7/16-20 Threaded, Sapphire	37111-042	\$38.00
10-06-37205-004	Orifice Assembly, Water, 7/16-20 Threaded, Diamond	37205-004	\$475.00
10-06-37205-005	Orifice Assembly, Water, 7/16-20 Threaded, Diamond	37205-005	\$475.00
10-06-37205-006	Orifice Assembly, Water, 7/16-20 Threaded, Diamond	37205-006	\$475.00
10-06-37205-007	Orifice Assembly, Water, 7/16-20 Threaded, Diamond	37205-007	\$475.00
10-06-37205-008	Orifice Assembly, Water, 7/16-20 Threaded, Diamond	37205-008	\$475.00
10-06-37205-010	Orifice Assembly, Water, 7/16-20 Threaded, Diamond	37205-010	\$475.00
10-06-37205-013	Orifice Assembly, Water, 7/16-20 Threaded, Diamond	37205-013	\$475.00
10-06-37205-015	Orifice Assembly, Water, 7/16-20 Threaded, Diamond	37205-015	\$475.00



Abrasive Cutting Head Orifice

Abrasive Style

Chukar P/N	Description	Replaces	Price
10-06-100159-003	Orifice Assembly, Permalign II, Sapphire	100159-003	\$18.00
10-06-100159-004	Orifice Assembly, Permalign II, Sapphire	100159-004	\$18.00
10-06-100159-005	Orifice Assembly, Permalign II, Sapphire	100159-005	\$18.00
10-06-100159-006	Orifice Assembly, Permalign II, Sapphire	100159-006	\$18.00
10-06-100159-007	Orifice Assembly, Permalign II, Sapphire	100159-007	\$18.00
10-06-100159-008	Orifice Assembly, Permalign II, Sapphire	100159-008	\$18.00
10-06-100159-009	Orifice Assembly, Permalign II, Sapphire	100159-009	\$18.00
10-06-100159-010	Orifice Assembly, Permalign II, Sapphire	100159-010	\$18.00
10-06-100159-011	Orifice Assembly, Permalign II, Sapphire	100159-011	\$18.00
10-06-100159-012	Orifice Assembly, Permalign II, Sapphire	100159-012	\$18.00
10-06-100159-013	Orifice Assembly, Permalign II, Sapphire	100159-013	\$18.00
10-06-100159-014	Orifice Assembly, Permalign II, Sapphire	100159-014	\$18.00
10-06-100159-015	Orifice Assembly, Permalign II, Sapphire	100159-015	\$18.00
10-06-100159-016	Orifice Assembly, Permalign II, Sapphire	100159-016	\$18.00

• The abrasive button style orifice is required for the Permalign abrasive cutting head.



Jet Edge® Equipment

Orifices*



Abrasive Cutting
Head Orifice

Abrasive Style

Chukar P/N	Description	Replaces	Price
10-06-100159-018	Orifice Assembly, Permalign II, Sapphire	100159-018	\$18.00
10-06-100159-020	Orifice Assembly, Permalign II, Sapphire	100159-020	\$18.00
10-06-100159-023	Orifice Assembly, Permalign II, Sapphire	100159-023	\$18.00
10-06-100159-024	Orifice Assembly, Permalign II, Sapphire	100159-024	\$18.00
10-06-100159-027	Orifice Assembly, Permalign II, Sapphire	100159-027	\$18.00
10-06-100159-030	Orifice Assembly, Permalign II, Sapphire	100159-030	\$18.00
10-06-100159-032	Orifice Assembly, Permalign II, Sapphire	100159-032	\$18.00
10-06-100159-036	Orifice Assembly, Permalign II, Sapphire	100159-036	\$18.00
10-06-100158-010	Orifice Assembly, Permalign II, Diamond	100158-010	\$425.00
10-06-100158-011	Orifice Assembly, Permalign II, Diamond	100158-011	\$425.00
10-06-100158-012	Orifice Assembly, Permalign II, Diamond	100158-012	\$425.00
10-06-100158-013	Orifice Assembly, Permalign II, Diamond	100158-013	\$425.00
10-06-100158-014	Orifice Assembly, Permalign II, Diamond	100158-014	\$425.00
10-06-100158-015	Orifice Assembly, Permalign II, Diamond	100158-015	\$425.00
10-06-100158-016	Orifice Assembly, Permalign II, Diamond	100158-016	\$425.00
10-06-101526-003	Orifice Assembly, Permalign II, Ruby	101526-003	\$18.00
10-06-101526-004	Orifice Assembly, Permalign II, Ruby	101526-004	\$18.00
10-06-101526-005	Orifice Assembly, Permalign II, Ruby	101526-005	\$18.00
10-06-101526-006	Orifice Assembly, Permalign II, Ruby	101526-006	\$18.00
10-06-101526-007	Orifice Assembly, Permalign II, Ruby	101526-007	\$18.00
10-06-101526-008	Orifice Assembly, Permalign II, Ruby	101526-008	\$18.00
10-06-101526-009	Orifice Assembly, Permalign II, Ruby	101526-009	\$18.00
10-06-101526-010	Orifice Assembly, Permalign II, Ruby	101526-010	\$18.00
10-06-101526-011	Orifice Assembly, Permalign II, Ruby	101526-011	\$18.00
10-06-101526-012	Orifice Assembly, Permalign II, Ruby	101526-012	\$18.00
10-06-101526-013	Orifice Assembly, Permalign II, Ruby	101526-013	\$18.00
10-06-101526-014	Orifice Assembly, Permalign II, Ruby	101526-014	\$18.00

- The abrasive button style orifice is required for the Permalign abrasive cutting head.



Jet Edge® Equipment

Orifices *

Abrasive Style

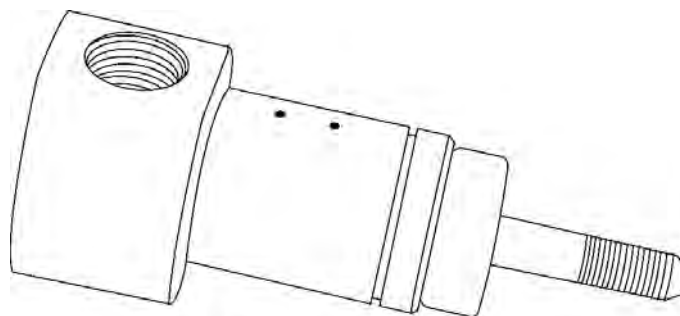
Chukar P/N	Description	Replaces	Price
10-06-101526-015	Orifice Assembly, Permalign II, Ruby	101526-015	\$18.00
10-06-101526-016	Orifice Assembly, Permalign II, Ruby	101526-016	\$18.00
10-06-101526-018	Orifice Assembly, Permalign II, Ruby	101526-018	\$18.00
10-06-101526-020	Orifice Assembly, Permalign II, Ruby	101526-020	\$18.00
10-06-101526-023	Orifice Assembly, Permalign II, Ruby	101526-023	\$18.00
10-06-101526-024	Orifice Assembly, Permalign II, Ruby	101526-024	\$18.00
10-06-101526-027	Orifice Assembly, Permalign II, Ruby	101526-027	\$18.00
10-06-101526-030	Orifice Assembly, Permalign II, Ruby	101526-030	\$18.00

• An orifice is available with a sapphire, ruby, or a diamond single crystal synthetic crystal. The sapphire and ruby composites have the same characteristics. The diamond orifice has a longer life than the other composites.

High Pressure Swivels

3/8" High Rail Swivel

Chukar P/N	Description	Replaces	Price
10-07-2026	Swivel Assembly, 3/8" High Pressure High Rail Table	2026	\$700.00



High Pressure Swivel

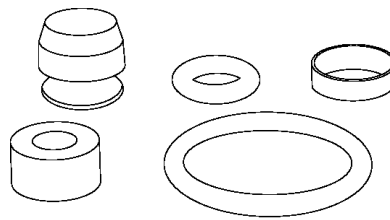


Jet Edge® Equipment

High Pressure Swivels

3/8" High Rail Swivel Repair Kits

Chukar P/N	Description	Replaces	Price
10-07-K1019	KIT, Repair, 3/8" High Rail, Swivel, Major	K1019	\$60.00
10-07-45887-017	(1) O-Ring	45887-017	\$2.50
10-07-5674	(1) Seal-Oil 3/8" Shaft x 5/8" Housing	5674	\$7.45
10-07-5675	(2) Bearing-Race, Washer, Thrust	5675	\$1.75 ea
10-07-5676	(1) Bearing-Thrust, Roller	5676	\$4.15
10-07-2025	(1) Ring, Backup, Seal 3/8" Swivel	2025	\$27.58
10-07-2024	(1) Hoop, Seal, Swivel 3/8	2024	\$38.01
10-07-2023	(1) Body-Seal, Swivel 3/8	2023	\$33.74
10-07-45887-009	(1) O-Ring	45887-009	\$2.50
10-07-K1031	KIT, Repair, 3/8" High Rail, Swivel, Minor	K1031	\$48.00
10-07-45887-009	(1) O-Ring	45887-009	\$2.50
10-07-2023	(1) Body-Seal, Swivel 3/8	2023	\$33.74
10-07-2024	(1) Hoop, Seal, Swivel 3/8	2024	\$38.01
10-07-2025	(1) Ring, Backup Seal, 3/8 Swivel	2025	\$27.58
10-07-45887-017	(1) O-Ring	45887-017	\$2.50



High Pressure Swivel Repair Kit



Jet Edge® Equipment

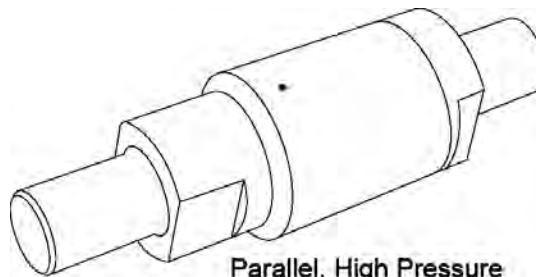
High Pressure Swivels

Replacement Parts for High Rail Swivel

Chukar P/N	Description	Replaces	Price
10-07-1453	Body-Swivel, Bearing Mount 3/8	1453	\$448.00
10-07-1456	Shaft-Swivel, 3/8	1456	\$238.00
10-07-1454	Cap-Swivel, Bearing Mount 3/8	1454	\$108.50
10-07-1455	Nut-Seal, Swivel, Bearing Mount 3/8	1455	\$77.00
10-07-2023	Body-Seal, Swivel 3/8	2023	\$33.74
10-07-2024	Seal, Hoop (Swivel)	2024	\$38.01
10-07-2025	Ring, Backup Seal, 3/8 Swivel	2025	\$27.58
10-07-45887-009	O-Ring	45887-009	\$2.50
10-07-45887-017	O-Ring	45887-017	\$2.50
10-07-5675	Bearing-Race, Washer, Thrust	5675	\$1.75
10-07-5676	Bearing-Thrust, Roller	5676	\$4.15
10-07-5674	Seal-Oil, 3/8 Shaft x 5/8 Housing	5674	\$7.45
10-07-5677	Bearing-Oilite, Bushing .375 X .75LG	5677	\$2.20

High Pressure Swivel Assemblies

Chukar P/N	Description	Replaces	Price
10-07-45526	Swivel Assembly, 3/8" High Pressure Right Angle	45526	\$925.00
10-07-45527	Swivel Assembly, 3/8" High Pressure Parallel	45527	\$925.00
10-07-46694	Swivel Assembly, 3/8" High Pressure Straight	46694	\$1,250.00



Parallel, High Pressure Swivel Assembly



Jet Edge® Equipment

High Pressure Swivels

3/8" High Pressure Swivel Repair Kits

Chukar P/N	Description	Replaces	Price
10-07-26183	KIT, Repair, 3/8" High Pressure Swivel, Seal	26183	\$92.00
10-07-35797	(1) Seal, Swivel	35797	\$40.00
10-07-35801	(1) Ring, Backup	35801	\$24.90
10-07-26180	(1) O-Ring	26180	\$1.00
10-07-26181	(1) O-Ring	26181	\$1.00
10-07-35800	(1) Washer, Backup	35800	\$16.50
10-07-26184	KIT, Swivel Tool, 3/8" High Pressure	26184	\$267.27
(10-07-35811)	(1) Tool, Seal Insert, Sleeve	35811	
(10-07-35812)	(1) Tool, Seal Insert, Rod	35812	
(10-07-35813)	(1) Tool, Seal Retainer Swivels	35813	

Replacement Parts for 3/8" High Pressure Swivels

Chukar P/N	Description	Replaces	Price
10-07-45528	3/8 " Right Angle and Straight Body	45528	\$374.69
10-07-45530	Retainer, Seal	45530	\$119.76
10-07-45531	Body Nut, 3/8 "Swivel	45531	\$105.18
10-07-45532	Swivel Tube, 3/8 "Swivel	45532	\$325.00
10-07-35797	Seal, Swivel	35797	\$40.00
10-07-35798	Ring, Backup, Swivel	35798	\$30.19
10-07-26177	Bearing, Sealed Roller	26177	\$18.34
10-07-26178	Bearing, Thrust	26178	\$4.64
10-07-26179	Washer, Thrust	26179	\$2.00
10-07-26180	O-Ring	26180	\$1.00
10-07-26181	O-Ring	26181	\$1.00



Jet Edge® Equipment

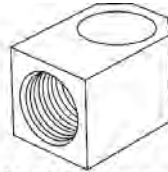
High Pressure Swivels

Replacement Parts for 3/8" High Pressure Swivels

Chukar P/N	Description	Replaces	Price
10-07-35801	Ring, Backup	35801	\$24.90
10-07-35800	Washer, Backup	35800	\$16.50
10-07-26183	Seal Kit, Swivel	26183	\$97.85
10-07-26184	Swivel Tool Kit	26184	\$267.27
10-07-45529	Body, 3/8" Swivel, Parallel	45529	\$448.00
10-07-35799	Elbow, 3/8" High Pressure	35799	\$176.00
10-07-46695	Shaft, Swivel, 3/8" HP	46695	\$528.00
10-07-37218	Flange Mount, Straight Swivel	37218	\$321.50
10-08-26247	Gland, 3/8"	26247	\$18.14
10-07-45533	Collar, Flange	45533	\$175.00
10-08-26230	Gland Nut, 3/8"	26230	\$30.58



Swivel Seal Kit



3/8" High Pressure Elbow

tubing and Fittings

*UHP Tubing and Fittings are found on pages 5 and 6

Chukar P/N	Description	Replaces	Price
10-08-28600	1/4" Tubing (price per foot)	28600	\$2.53
10-08-25671	3/8" Tubing (price per foot)	25671	\$3.00
10-08-28601	9/16" Tubing (price per foot)	28601	\$3.80

Miscellaneous Parts and Accessories

Chukar P/N	Description	Replaces	Price
10-08-105517	Garnet Bags for used abrasive	105517	\$29.50

Any reference to the original manufacturer's name and part number is for identification purposes only.
 Jet Edge® is a registered trademark claimed by Jet Edge, Inc.



Jet Edge® Equipment

Mobile Pumps and Accessories

Recommended Mobile Spare Parts

36-250 Mobile Intensifier Pump (36K Only)

Chukar P/N	Description	Quantity	Price
10-01-35013	High Pressure Seal	8	\$28.78
10-01-35014	Seal Backup Ring	8	\$16.78
10-01-37450	Cylinder, Backup Ring	1	\$217.25
10-01-35011	High Pressure Poppet	1	\$61.19
10-01-35010	Low Pressure Poppet	1	\$33.08
10-01-25013	Check Spring	1	\$3.15
10-01-35012	Check Seat	1	\$36.27
10-01-30119	8-32 x 1/2" Capscrew	1	\$3.50
10-01-25750	Precision Lube	2	\$9.99
10-01-25011	Die Spring	1	\$4.62
10-01-25007	O-Ring	1	\$1.00
10-01-25008	Backup Ring	1	\$1.00
10-01-25006	Rod Seal	2	\$35.71
10-01-25005	Retaining Ring	2	\$5.00
10-01-25003	Backup Ring	1	\$3.00

UHP Tools (36K Only)

Chukar P/N	Description	Quantity	Price
10-08-36873	Seal Insertion Tool	1	\$28.00
10-08-28588	Tool Set, Soft Punches	1	\$61.60
10-08-35127	Tool, Seal, Mandrel	1	\$266.75
10-08-36201	Tool, Seal, Ring	1	\$270.88
10-08-35767	Tool, Seal, Cap	1	\$244.75
10-08-28523	Lapping Plate	1	\$683.32
10-08-29686	Lapping Compound	1	\$39.60
10-08-29524	Lapping Paper	8	\$4.10
10-08-25750	Thread Locking Anti-Seize	5	\$9.99
10-08-27687	Check Tube Thread Locking Kit	1	\$56.24
10-08-28339	HP Component Lubricant	1	\$20.97
10-08-28599	Charging & Gauge Kit	1	\$374.62



Jet Edge® Equipment

Mobile Pumps and Accessories

Recommended Mobile Spare Parts

55-260 Mobile Intensifier Pump (55K Only)

Chukar P/N	Description	Quantity	Price
10-01-35574	HP Seal Assembly 1"	8	\$15.75
10-01-35572	Hoop, Backup 1"	8	\$11.88
10-01-101914	Consumable Backup Disc 1"	2	\$29.50
10-01-35662	HP Poppet	1	\$25.13
10-01-104047	Inlet Poppet	1	\$28.50
10-02-25648	Check Spring	1	\$2.50
10-01-35367	Seat	1	\$15.38
10-01-104431	Screw 1/4-28 UNF	1	\$10.45
10-01-25750	Precision Lube	2	\$9.99
10-01-25011	Spring	1	\$4.62
10-01-25007	Actuator O-Ring	1	\$1.00
10-01-25008	Actuator Cap O-Ring	1	\$1.00
10-01-25953	Rod Seal	2	\$4.75
10-01-26471	O-Ring	2	\$1.00
10-01-26472	Backup Ring	2	\$1.00
10-01-101913	Backup Ring	1	\$74.00

UHP Tools (55K Only)

Chukar P/N	Description	Quantity	Price
10-08-36873	Seal Insertion Tool	1	\$28.00
10-08-28588	Tool Set, Soft Punches	1	\$61.60
10-08-36202	Tool, Seal, Mandrel	1	\$158.13
10-08-36201	Tool, Seal, Ring	1	\$270.88
10-08-35767	Tool, Seal, Cap	1	\$244.75
10-08-28523	Lapping Plate	1	\$683.32
10-08-29686	Lapping Compound	1	\$39.60
10-08-29524	Lapping Paper	8	\$4.10
10-08-25750	Thread Locking Anti-Seize	5	\$9.99
10-08-28339	HP Component Lubricant	1	\$20.97
10-08-28599	Charging & Gauge Kit	1	\$374.62



Jet Edge® Equipment

Mobile Pumps and Accessories

Recommended Mobile Spare Parts

Low Pressure Water System (36K and 55K)

Chukar P/N	Description	Quantity	Price
10-08-25147	1.0 Micron Water Filter	6	\$10.60
10-08-102600	0.5 Micron Water Filter	6	\$69.08
10-08-45793-241	Water Filter O-Ring	4	\$2.00

High Pressure Water System (36K and 55K)

Chukar P/N	Description	Quantity	Price
10-08-27630	1/4" HP Plug	1	\$8.87
10-08-27629	3/8" HP Plug	1	\$11.60
10-08-27631	9/16" HP Plug	1	\$17.94
10-03-102597	Rupture Disc	2	\$139.26

Engine LT 10-C

Chukar P/N	Description	Quantity	Price
10-08-28093	Coolant Filter	1	\$18.06
10-08-28014	Engine Oil Filter	1	\$60.88
10-08-28094	Fuel Filter	2	\$8.51
10-08-25-050345	Alternator Belt	1	\$35.62
10-08-25-080465	Fan Belt	1	\$71.78

Bleed Down Valve (36K and 55K)

Chukar P/N	Description	Quantity	Price
10-03-36826	Seat	1	\$15.00
10-03-101843	Needle	1	\$13.50
10-03-37136	Needle Bearing	1	\$16.50
10-03-37135	Seal	1	\$8.75
10-03-36873	Seal Tool	1	\$28.00
10-03-28339	HP Lubricant	1	\$20.97



Jet Edge® Equipment

Mobile Pumps and Accessories

Recommended Mobile Spare Parts

Hydraulic System (36K and 55K)

Chukar P/N	Description	Quantity	Price
10-08-27713	Hydraulic Filter Element	1	\$83.60
10-08-29859	O-Ring, Filter Element	1	\$1.03
10-08-29680	Kit, O-Ring, Valve	1	\$9.00
10-08-29681	Kit, O-Ring, Pilot Valve	1	\$6.00
10-08-29682	Kit, O-Ring, Hydraulic Valve	1	\$13.00
10-08-45793-147	O-Ring, Hydraulic Pump	1	\$1.00

Gyra Jet Assembly (36K and 55K)

Chukar P/N	Description	Quantity	Price
10-01-36943	Shaft Seal	3	\$35.00
10-01-29201	Drive Belt	3	\$6.35
10-01-46730	Backup Disc, Seal, Swivel	1	\$220.00
10-01-102569	H/F Needle Bearing	1	\$41.80
10-01-102567	H/F Seal	2	\$71.28
10-01-102566	H/F Needle	1	\$45.00
10-01-102568	H/F Seat	1	\$39.60
10-01-30657	Needle Bearing	1	\$5.00
10-01-29203	Shaft Seal	2	\$5.30
10-01-30338	Seal Button	4	\$2.94
10-06-47012-xxxHCNA	Orifice Retainer	16	\$24.00

55k Deckblaster (36K and 55K)

Chukar P/N	Description	Quantity	Price
10-01-28567	Swivel Drive Belt	1	\$19.47
10-01-102714	H/F Valve Seat	1	\$80.16
10-01-102712	H/F Valve Needle	1	\$225.00
10-01-46187	H/F Valve H/P Seal	1	\$40.73
10-01-36630	H/F Valve Backup Ring	1	\$43.18
10-01-46454	Swivel Seal	4	\$48.73
10-06-47012-xxx	Orifice Retainer	16	\$24.00
10-01-30338	Button, Manifold Orifice Mount	8	\$2.94



Jet Edge® Equipment

Mobile Pumps and Accessories

Recommended Mobile Spare Parts

High Flow Abrasive Cutting Head (36K and 55K)

Chukar P/N	Description	Quantity	Price
10-07-45887-012	O-Ring	2	\$2.50
10-04-27350	Backup, O-Ring	2	\$9.00
10-06-36388-xxx	Orifice Assembly, Permalign I	6	\$24.00
10-01-45793-010	O-Ring	2	\$1.00
10-04-36389	Modified Screw (8-32 UNC)	1	\$10.73
10-04-27349	Tube, Feed	1	\$111.47
10-04-45962	Body, Mobile Abrasive Head	1	\$572.00
10-01-45793-012	O-Ring	2	\$1.00
10-04-36352	Collet	2	\$165.22
10-05-36353	Nozzle, .095 x 4 x .375	6	\$113.85
10-04-36351	Nut, Collet Mobile Abrasive Head	1	\$95.98
NI	6-32 x 1/2" SST Screw	1	\$1.00
10-01-45793-016	O-Ring	4	\$1.00
10-04-36350	Mixing Chamber, High Flow Permalign I	2	\$307.23

Permalign II Abrasive Cutting Head (36K and 55K)

Chukar P/N	Description	Quantity	Price
10-04-28588	Dowel Kit	1	\$61.60
10-05-36782	3.0" x 0.065" LL Nozzle	6	\$85.00
10-06-100159-020	.020 Sapphire Orifice	6	\$18.00
10-06-100159-023	.023 Sapphire Orifice	6	\$18.00
10-04-100155	Mixing Chamber	2	\$77.25
10-04-29683	Pierce Shield	4	\$14.43
10-05-37592	4.0" x .065" LL Nozzle	6	\$125.00



Jet Edge® Equipment

Mobile Pumps and Accessories

Recommended Mobile Spare Parts

Tumble Box (36K and 55K)

Chukar P/N	Description	Quantity	Price
10-04-102566	Needle	2	\$45.00
10-04-102567	Seal Assembly	2	\$71.28
10-04-102568	H/F Seat	2	\$39.60
10-04-102569	H/F Needle Bearing	2	\$41.80
10-04-28579	Piston Seal	1	\$28.68
10-04-45793-008	O-Ring	1	\$1.00
10-04-45793-149	O-Ring	1	\$1.00
10-04-45793-012	O-Ring	1	\$1.00

Ultra Lite Lance Assembly (36K and 55K)

Chukar P/N	Description	Quantity	Price
10-01-35925	Poppet Stem	1	\$379.50
10-01-26550	Collet	1	\$203.50
10-01-46038	High Pressure Seal	2	\$15.21
10-01-35944	Seal Backup Ring	1	\$51.70
10-01-35927	Poppet Sleeve	1	\$199.38
10-01-25299	Poppet Spring	1	\$7.04
10-01-35935	Poppet Pull-Off Pin	1	\$15.13
10-01-35926	Poppet	1	\$173.25
10-01-36062	Poppet Seat	1	\$76.73
10-01-35990	Trigger Seal	1	\$9.03



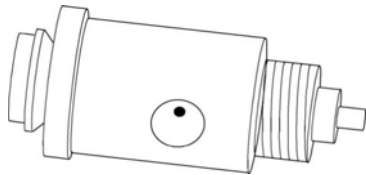
Omax® Equipment

UHP Pump Parts

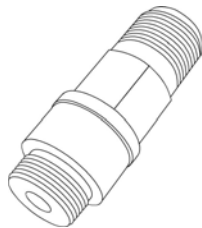
Chukar P/N	Description	Replaces	Price
15-01-00001	Ceramic Plunger Assembly for 2040 Triplex		\$390.00
15-01-00002	Plunger End Seal Replacement Kit	WA1008	\$25.00

On/Off Valve Body Assembly

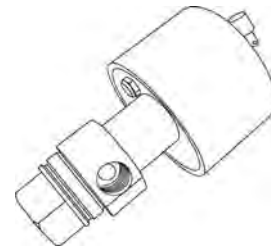
Chukar P/N	Description	Replaces	Price
15-04-00015	On/Off Valve Assy, Integrated	301501	\$830.30
15-04-00016	On/Off Valve Assy w/ Inlet Body, Integrated *Includes 15-04-00015 and 15-04-00010*		\$980.30
15-04-00010	Inlet Body, Maxjet 5	303279	\$150.00
15-04-00007	On/Off Valve Body Assembly		\$284.00
15-04-00006	On/Off Valve Body, Integrated	301477	\$179.00



On/Off Valve Body Assembly
15-04-00007



Inlet Body, Maxjet 5
15-04-00010



On/Off Valve Assembly, Integrated
15-04-00015

15-04-00009	Actuator Assembly, Normally Open	301801	\$283.00
-------------	----------------------------------	--------	----------

Valve & Cutting Head Parts Kits

Chukar P/N	Description	Replaces	Price
15-04-00001	Kit, Valve, On/Off, Omax Integrated	301927	\$105.00
15-04-00002	On/Off Valve Needle		\$39.00
15-04-00003	On/Off Valve Seat	301478	\$50.00
15-04-00004	On/Off Valve Backup Ring	300977	\$21.00
15-04-00005	On/Off Valve Seal	302094	\$13.00



On/Off Valve Repair Kit
15-04-00001



Omax® Equipment

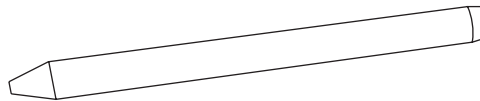
Valve & Cutting Head Parts

Chukar P/N	Description	Replaces	Price
15-04-00011	Fitting Ring (Mounting Collar)	300669	\$70.00
15-04-00012	Set Screw *Included in 15-04-00011	201935	\$14.70
15-04-00013	Acorn Nut *Included in 15-04-00011	201936	\$6.00
15-04-00014	Valve Gland Nut	301476	\$72.00
15-04-00008	Maxjet 5 Kit *Includes Final Filter, O-Ring, .014 Sapphire Orifice	304352-14	\$32.00

Nozzles (Focusing Tubes) .314" Dia. O.D.

Chukar P/N	Description	Replaces	Price
		<u>301667-XX or 300766-XX</u>	
15-05-50020	4" LONG LIFE FOCUSING TUBES (.020 ID)		\$95.00
15-05-50030	4" LONG LIFE FOCUSING TUBES (.030 ID) *		\$95.00
15-05-50040	4" LONG LIFE FOCUSING TUBES (.040 ID)		\$95.00
15-05-50030LL	ULTRAMANT GOLD Long Life Focusing Tubes (.030 ID)		\$129.00
15-05-50040LL	ULTRAMANT GOLD Long Life Focusing Tubes (.040 ID)		\$129.00

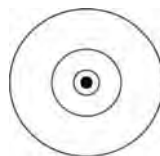
*MAXJET 5 Recommended



OMAX Nozzle .314" x 4"

Orifices

Chukar P/N	Description	Replaces	Price
15-03-40011	Sapphire Orifice Dump Valve, Omax, size .011	Dump Valve	\$45.00
15-03-40012	Sapphire Orifice Dump Valve, Omax, size .012	Dump Valve	\$45.00
15-03-40013	Sapphire Orifice Dump Valve, Omax, size .013	Dump Valve	\$45.00
15-03-40014	Sapphire Orifice Dump Valve, Omax, size .014	Dump Valve	\$45.00



Maxjet 4 Dump Valve Orifice Assembly

15-03-400xx



Omax® Equipment

Orifices

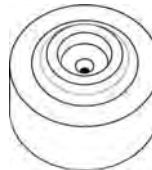
Chukar P/N	Description	Replaces	Price
Maxjet 4 Orifice Assembly			
15-06-50012	Sapphire Orifice Assy – Maxjet 4 Size .012”	<u>301965-XX</u>	\$45.00
15-06-50013	Sapphire Orifice Assy – Maxjet 4 Size .013”		\$45.00
15-06-50014	Sapphire Orifice Assy – Maxjet 4 Size .014”		\$45.00
	Call for Special Sizes		



Maxjet 4 Orifice Assembly
15-06-500xx

Pre-Maxjet 4 Orifice Assembly

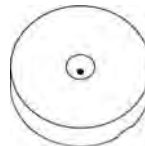
15-06-30001-xxx	Sapphire Orifice Pre Maxjet 4 Sizes: .010", .011", .012", .013", .014", .015	<u>300150-XX</u>	\$32.00
15-06-30001-Rxx	Ruby Orifice Pre Maxjet 4 Sizes: .014	<u>300150-XX</u>	\$32.00



Pre-Maxjet 4 Orifice
15-06-30001-xxx

Maxjet 5 Orifice Assembly

15-06-30002-xxx	Sapphire Orifice Maxjet 5 Sizes .005", .010", .012", .013", .014" *	<u>303281-XX</u>	\$24.00
15-06-30002-Rxx	Ruby Orifice Maxjet 5 Sizes .005", .010", .012", .013", .014" *	<u>303281-XX</u>	\$24.00
15-06-30002-Dxx	Diamond Orifice Maxjet 5 Sizes .005", .010", .012", .013", .014"*, Call for Special Sizes	<u>303408-XX</u>	\$299.00



Maxjet 5 Orifice
15-06-30002-xxx

*MAXJET 5 Recommend



Omax® Equipment

Miscellaneous Parts and Accessories

Chukar P/N	Description	Replaces	Price
15-06-30003	Carbide Mixing Disc .020 – MJ5	303566	\$28.00
15-06-30004	Carbide Mixing Disc .040 – MJ5		\$28.00
15-08-00001	Final Filter w/ O-Ring	304351	\$8.25

*UHP Tubing and Fittings are found on pages 5 and 6



Waterjet Service, Inc. (WSI) Equipment

UHP Pump Parts

Chukar P/N	Description	Replaces	Price
23-01-00001	Cylinder, 55K	WA1006	\$933.00

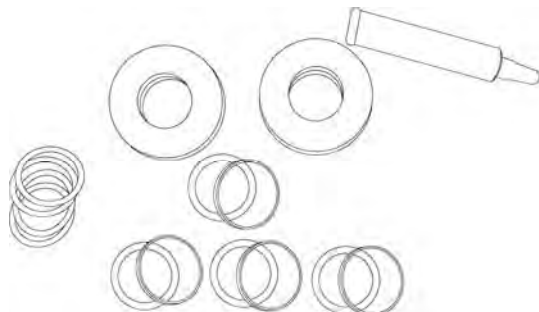


Cylinder, 55K
23-01-00001

23-01-00001s	H.P. Cylinder, 55k WSI with Shiny Finish	WA1006s	\$933.00
23-01-00006	HP, Cylinder, 55K WSI 30HP Pump	WB1006	\$933.00
23-01-00002	Backup Ring	WA1009	\$31.50
23-01-00007	Spacer, Cylinder, 8"	WB1013	\$120.44
23-01-00008	Spacer, Cylinder, 10"	WA1013	\$120.44
23-01-00009	Booster Pump, CC, WSI	WA6035A	\$193.33
23-01-73202	Proximity Switch	WS1016	\$490.46
23-01-00010	Hydraulic Bushing	WS1010	\$47.00
23-01-00011	Seal Assembly, HP, Blue	WA1008	\$17.50

UHP Pump Part Kits

Chukar P/N	Description	Replaces	Price
23-01-00003	HP Seal Kit with BU Rings – WS Pump 55K *Includes 2 Backup Rings, 4 Hoop-Seals, 4 O-Rings, 4 Seal Plungers, ¼ oz. Food Grade Lubricant	WS1020	\$98.10
23-01-00012	HP Seal Kit with BU Rings – Color Matched	WS1020	\$98.10
23-01-00004	HP Seal Kit without BU Rings – WS Pump 55K	WS1020	\$76.10
23-01-00005	High Pressure Seal Kit – WA Pump 55K	WA1050	\$98.10



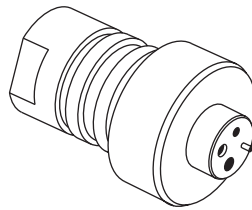
23-01-00003
HP Seal Kit



Waterjet Service, Inc. (WSI) Equipment

Check Valve Parts

Chukar P/N	Description	Replaces	Price
23-02-00019	Check Valve Assembly	WS20006	\$404.85
23-02-00001	Check Valve Body	WA1011	\$312.75
23-02-00017	Check Valve Adapter (Outlet Body)	WA1020	\$158.10



WSI Check Valve Body

23-02-00001

Check Valve Parts Kits

Chukar P/N	Description	Replaces	Price
23-02-00015	Check Valve Repair Kit – WS2006 CV Assy	WA1033	\$125.60
23-02-00012	Check Valve Outlet Insert	WS1024	\$25.00
23-02-00002	Check Valve Ball Retainer	WS1023	\$31.00
23-02-00013	Check Valve Poppet Guide Screw (not sold separately)	WA1034	\$48.50
23-02-00009	Check Valve Inlet LP Poppet	WA1028	\$18.30
23-02-00014	Locating Pin	WA1036	\$1.00
23-02-00006	O-Ring	WA1023	\$1.00
23-02-00010	Compression Spring	WA1029	\$2.90
23-02-00005	Check Valve Ball (1)	WS1022	\$2.90



Check Valve Repair Kit

23-02-00015



Waterjet Service, Inc. (WSI) Equipment

Check Valve Part Kits

Chukar P/N	Description	Replaces	Price
23-02-00004	Check Valve Rep Kit WSI WS 60K	WS1021	\$109.00
23-02-00012	Check Valve Outlet Insert	WS1024	\$25.00
23-02-00002	Check Valve Ball Retainer	WS1023	\$31.00
23-02-00003	Ball Guide, Check Valve Screw (not sold separately)	WS1019	\$37.22
23-02-00006	O-Ring (2)	WA1023	\$1.00
23-02-00014	Locating Pin	WA1036	\$1.00
23-02-00010	Compression Spring	WA1029	\$2.90
23-02-00005	Check Valve Ball (2)	WS1022	\$2.90



Check Valve Rep Kit WSI WS 60K
23-02-00004

23-02-00011	Check Valve Repair Kit WSI WA 60k	WA1051	\$109.00
23-02-00018	Check Valve Outlet Insert	WA1027	\$18.25
23-02-00007	Check Valve Outlet Poppet	WA1026	\$19.40
23-02-00013	Check Valve Poppet Guide Screw (not sold separately)	WA1034	\$48.50
23-02-00009	Check Valve Inlet LP Poppet	WA1028	\$18.30
23-02-00014	Locating Pin	WA1036	\$1.00
23-02-00006	O-Ring (2)	WA1023	\$1.00
23-02-00010	Compression Spring	WA1029	\$2.90



Check Valve Repair Kit



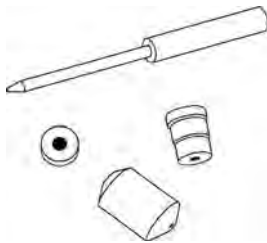
Waterjet Service, Inc. (WSI) Equipment

Check Valve Part Kits

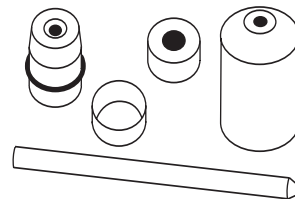
Chukar P/N	Description	Replaces	Price
23-02-00020	Check Valve Repair Kit, Minor	WA1021	\$33.00
23-02-00012	Check Valve Outlet Insert	WS1024	\$25.00
23-02-00014	Locating Pin	WA1036	\$1.00
23-02-00006	O-Ring (2 ea.)	WA1023	\$1.00
23-02-00005	Check Valve Ball (2 ea.)	WS1022	\$2.90
23-02-00021	Check Valve Repair Kit, Minor, w/o Pin		\$32.00
23-02-00012	Check Valve Outlet Insert	WS1024	\$25.00
23-02-00006	O-Ring (2 ea.)	WA1023	\$1.00
23-02-00005	Check Valve Ball (2 ea.)	WS1022	\$2.90

Bleed Down Valve Part Kits

Chukar P/N	Description	Replaces	Price
23-03-00001	Bleed Down Repair Kit		\$99.50
23-04-00010	On/Off Valve Seal Assy	VLV1005	\$20.00
23-04-00003	Seat; On/Off	VLV1004	\$27.00
23-04-00004	Backup Ring; On/Off	VLV1006	\$10.00
23-04-00009	On/Off Valve Stem Needle, N/O	VLV-BV901184	\$58.00
23-03-00002	Bleed Down Repair Kit, Yellow Seal		\$102.80
23-03-00003	Bleed Down Repair Kit w/o BU Rings		\$89.50



Bleed Down Repair Kit
23-02-00001



WSI Valve Repair Kit
23-04-00005



Waterjet Service, Inc. (WSI) Equipment

On/Off Valve Part Kits

Chukar P/N	Description	Replaces	Price
23-04-00005	On/Off Repair Kit w/Stem	VLV1010	\$88.50
23-04-00010	On/Off Valve Seal Assy	VLV1005	\$20.00
23-04-00003	Seat; On/Off	VLV1004	\$27.00
23-04-00002	Stem/Needle Valve; On/Off	VLV1003	\$38.00
23-04-00004	Backup Ring; On/Off	VLV1006	\$10.00
23-04-00011	On/Off Repair Kit, Yellow Seal w/o Backup Ring		\$78.50
23-04-00012	On/Off Repair Kit, Yellow Seal & Bronze Hoop		\$88.50

On/Off Valve Parts

Chukar P/N	Description	Replaces	Price
23-04-00006	On/Off Valve Body	VLV1001	\$442.90
23-04-00007	Actuator Assembly, Normally Closed	VLV1002	\$590.00
23-04-00008	Actuator Assembly, Normally Open		\$445.00
23-04-00009	Valve Stem, N/O, On/Off Valve		\$58.00
23-04-00014	Actuator Spring		\$12.00
23-04-00015	Solenoid Valve, 110 VAC	WM1007	\$44.00
23-04-00016	Extension Tube Adapter, 9/16" Tubing End	VLV-NTD6	\$76.65
23-04-00017	Disc	WA1032	\$40.00

Nozzles (Focusing Tubes) .281" Dia. O.D.

Chukar P/N	3" Length Focusing Tubes	Price
06-05-50001	3" Long Life Focusing Tube (.020 ID)	\$85.00
06-05-50002	3" Long Life Focusing Tube (.030 ID)	\$85.00
06-05-50003	3" Long Life Focusing Tube (.035 ID)	\$85.00
06-05-50004	3" Long Life Focusing Tube (.040 ID)	\$85.00
06-05-50005	3" Long Life Focusing Tube (.050 ID)	\$85.00

Chukar P/N	4" Length Focusing Tubes	Price
06-05-50003-4 M/L	4" Long Life Focusing Tube (.030 ID)	\$95.00
06-05-50004-4M/L	4" Long Life Focusing Tube (.040 ID)	\$95.00
06-05-50005-4/M/L	4" Long Life Focusing Tube (.050 ID)	\$95.00

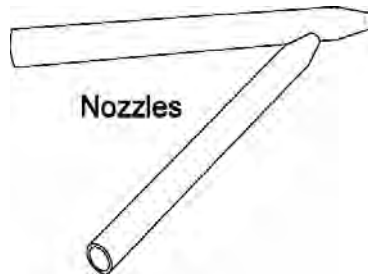


Waterjet Service, Inc. (WSI) Equipment

Ultramant Gold Long Life (Focusing Tubes) .281" Dia.O.D.

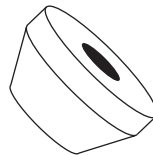
20% Longer life than Standard Long Life Nozzle

Chukar P/N	Description	Replaces	Price
3" Length Ultramant Gold Focusing Tubes			
06-05-50020-LL	3" Ultramant Gold Long Life Focusing Tube (.020 ID)		\$119.00
06-05-50030-LL	3" Ultramant Gold Long Life Focusing Tube (.030 ID)		\$119.00
06-05-50035-LL	3" Ultramant Gold Long Life Focusing Tube (.035 ID)		\$119.00
06-05-50040-LL	3" Ultramant Gold Long Life Focusing Tube (.040 ID)		\$119.00
4" Length Ultramant Gold Focusing Tubes			
06-05-50030-LLXL	4" Ultramant Gold LL Focusing Tube (.030 ID)	010460-30-40	\$129.00
06-05-50040-LLXL	4" Ultramant Gold LL Focusing Tube (.040 ID)	010460-40-40	\$129.00



Orifices

Chukar P/N	Description	Price
06-06-50004	Sapphire orifice WSI for x Sizes: .006", .007", .008", .009", .010", .011", .012", .013", .014", .015", .016", .018", .020", .024" Call for Special Sizes	\$14.25
06-06-50005	Ruby orifice WSI for x Sizes: .005", .006", .007", .008", .009", .010", .012", .013", .014", .016" Call for Special Sizes	\$14.25
06-06-50007	Diamond orifice WSI for x Sizes: .005", .007", .008", .009", .010", .011", .012", .013", .014", .015", .016, .020 Call for Special Sizes	\$359.00



WSI Orifice

*UHP Tubing and Fittings are found on pages 5 and 6



Shipping of Parts Orders

Parts Delivery

All parts orders are entered and shipped from Chukar Waterjet, Inc. the same day. Backorders or order placed late in the day will ship the next day. Orders are shipped F.O.B. Chukar Waterjet, Inc., St. Michael, MN. Please let us know how you would like your order shipped, i.e. UPS, FedEx, ground, air, collect, and please include your account number. All larger items will be shipped via a freight carrier selected for the destination, unless otherwise arranged. All items will be sent prepay and add unless a collect account number is supplied. Shipping insurance is added only at the customer's request.

Backorders

If we are unable to fill a parts order we will backorder the parts and send the available portion of the order. If it is determined the backordered items are not required, please advise Chukar Waterjet immediately. We will send the backordered parts as soon as possible via standard UPS, unless advised differently by customer. If customer would like the status of any parts on backorder, please call. We will do our best to give current and complete information. Please specify at the time of ordering if it is required that shipment be sent complete.

Returning Parts / Warranty

If it is necessary to return parts to Chukar Waterjet, whether for warranty or for restock, a completed Warranty / Parts

Return form must accompany all items. All returns must be shipped **prepaid** by sender. **All items shipped to Chukar**

Waterjet collect will incur a \$50.00 handling fee. If the parts are being returned for warranty, please enter the shipping amount in the space provided on the claim form. All warranty considerations must be returned to Chukar Waterjet within 30 days from the date the replacements are sent or the claim may be void.

Restocking Fee

Parts returned to Chukar Waterjet within 90 days of purchase will incur a restocking fee of 15% of the purchase price. Any parts returned beyond this time will be handled on an individual basis.



Customer Order Information

Requesting Quote

When requesting a quote it is important to include the following information:

1. Company name, address, and contact person
Contact Information
Phone
Fax
E-Mail
2. Part Number(s)
3. Quantity
4. Description
5. Date parts are required

Please fax, e-mail, or call us for a parts quote.

Placing Parts Orders

Customer orders may be placed in the following ways:

Fax: 763-497-8701 24 HOURS
Phone: 1-888-497-8749 or 763-497-8749 8:00am ~ 4:30pm
E-mail: sales@chukarwaterjet.com
Mail: Chukar Waterjet, Inc.
12070 43rd St. NE
St. Michael, MN 55376-8427 USA

When placing an order it is important to include complete information. The following information is required:

1. Part number, description, and quantity. Note: If you are unable to provide a part number we will require the equipment model number and serial number.
2. Company name, address, contact person, and phone number
3. Purchase order number
4. Address where parts are to be shipped
5. Date parts are required. All parts will be send UPS Ground prepaid, rounded to the nearest dollar, unless another carrier is specified.





Parts Order # _____

QUALITY WATERJET REPLACEMENT PARTS

PAGE: _____

DATE: _____

CUSTOMER #: _____

COMPANY NAME: _____

PERSON PLACING ORDER: _____

STREET ADDRESS: _____

CITY: _____ STATE: _____ ZIP CODE: _____

PHONE: _____ FAX: _____ EMAIL: _____

PURCHASE ORDER #: _____ TAX EXEMPT: _____

SHIPPING: UPS GROUND OTHER: _____ DATE REQUIRED: _____

SHIP TO ADDRESS (If different from above): _____

SHIP TO CONTACT PERSON: _____ PHONE: _____

PAYMENT: Acct. # _____ CC# _____ Exp: _____ Code: _____

PART NUMBER	Qty	DESCRIPTION	Each	Total
All prices subject to change without notice. Contact Chukar Waterjet, Inc. to verify prices.			Parts Total	
			(Does not include shipping/tax)	





CREDIT APPLICATION

DATE _____

BUSINESS NAME _____

STREET ADDRESS _____

CITY _____ STATE _____ ZIP _____

PHONE _____ FAX _____

WEB ADDRESS _____

CHECK ONE: INDIVIDUAL PARTNERSHIP CORPORATION

FULL NAME OF OWNER(S) HOME ADDRESS FOR PARTNERSHIP OR INDIVIDUAL
(or authorized officer(s) of corporation)

FEDERAL TAX NUMBER FOR CORPORATION _____

TYPE OF BUSINESS _____ DATE STARTED _____

FORMER BUSINESS _____ LOCATION _____

TRADE REFERENCES:

NAME	CITY/STATE	PHONE NO.	ACCOUNT NO.
_____	_____	(____) _____	_____
_____	_____	(____) _____	_____
_____	_____	(____) _____	_____

NAME OF BANK _____

STREET ADDRESS _____

CITY _____ STATE _____ ZIP _____

PHONE (____) _____ ACCOUNT NO. _____

Applicant's signature attests financial responsibility, ability and willingness to pay our invoices on receipt of statement.

BUSINESS NAME _____

BY _____ TITLE _____







Fax: 763-497-8701 24 HOURS

Phone: 1-888-497-8749 or 763-497-8749 8:00 am - 4:30 pm

Email: sales@chukarwaterjet.com

Chukar Waterjet, Inc.

12070 43rd St. NE

St. Michael, MN 55376-8427 USA