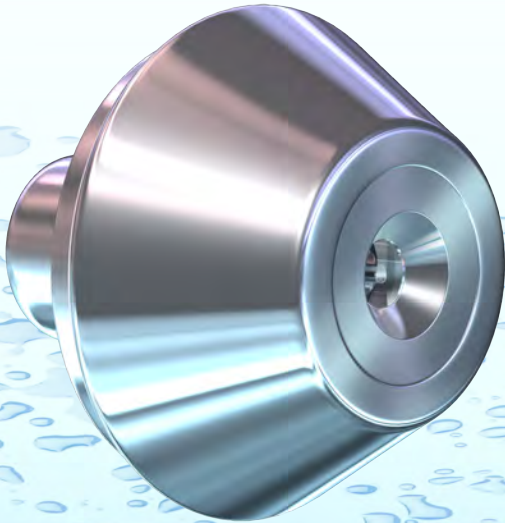
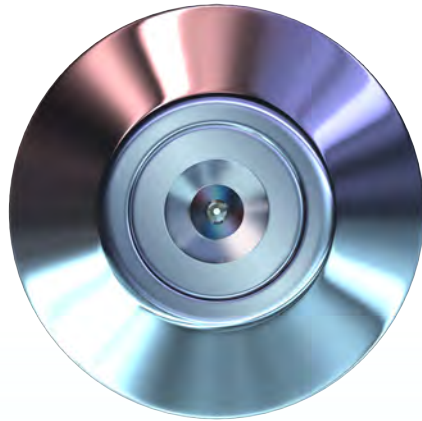
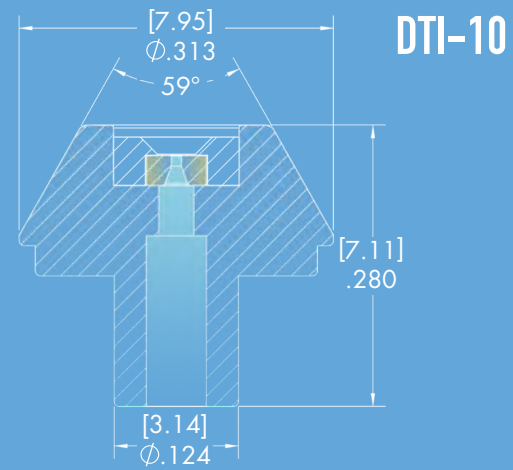


# DIAMOND ORIFICES

## DTI-10

SIMILAR TO THE FOLLOWING  
AUTOLINE



## PART NUMBERS & STANDARD SIZES

DTI PART #	inch	mm
DA-10-04	.004	0,10
DA-10-05	.005	0,13
DA-10-06	.006	0,15
DA-10-07	.007	0,18
DA-10-08	.008	0,20
DA-10-09	.009	0,23
DA-10-10	.010	0,25
DA-10-11	.011	0,28
DA-10-12	.012	0,30
DA-10-13	.013	0,33
DA-10-14	.014	0,35
DA-10-15	.015	0,38
DA-10-16	.016	0,40
DA-10-17	.017	0,43
DA-10-18	.018	0,45

Orifice retained with aerospace grade titanium for maximum strength and reliability. Additional orifice sizes and mount specifications available upon request.

## PROTECT YOUR INVESTMENT

To prevent orifice plugging and increase the lifetime of your dti CORE™ diamond, use a dti Diamond Guard Filter. For more information see page 11 of dti™ catalogue.

