



slice²

SLIM LINE INTEGRAL CARTRIDGE EDUCTOR

- ◆ 360° abrasive inlet rotation
- ◆ MAXIMIZED wear life
- ◆ GREATER cutting speeds
- ◆ PRECISION multi-axis cutting
- ◆ SUPERIOR edge quality
- ◆ OPTIMIZED jet stream alignment
- ◆ dti CORE™ Diamond inside

AHB

TOOLING & MACHINERY

COMPLETE METALWORKING SOLUTIONS

(800) 991-4225

www.ahbinc.com

ISO Certified

customerservice@ahbinc.com

SLICE2 THE SLIM LINE INTEGRAL CARTRIDGE EDUCTOR

FROM THE TRUSTED WORLD LEADERS

in orifice technology, came the successful SLICE Cutting head, engineered by implementing the most elite cutting head technologies in the industry with a lightweight, versatile design and new features never before seen in the waterjet community.

NOW, dti™ brings you SLICE2, the accomplishment of NEW intelligently refined attributes derived from countless hours of real world cutting and integrated with the most acclaimed features of the original SLICE. SLICE2's precision engineering, combines accuracy, reliability and speed with the demand for versatility and durability.

NEW ENHANCEMENTS

HIGH PRESSURE OPTIONS 1

Optional Roctec 500 mixing chamber upgrade boosts maximum protection and wear resistance in extreme high pressure applications as well as typical cutting applications.

New external design adds significant robustness throughout the entire cutting head for noticeable durability and strength while still maintaining the slim line design.

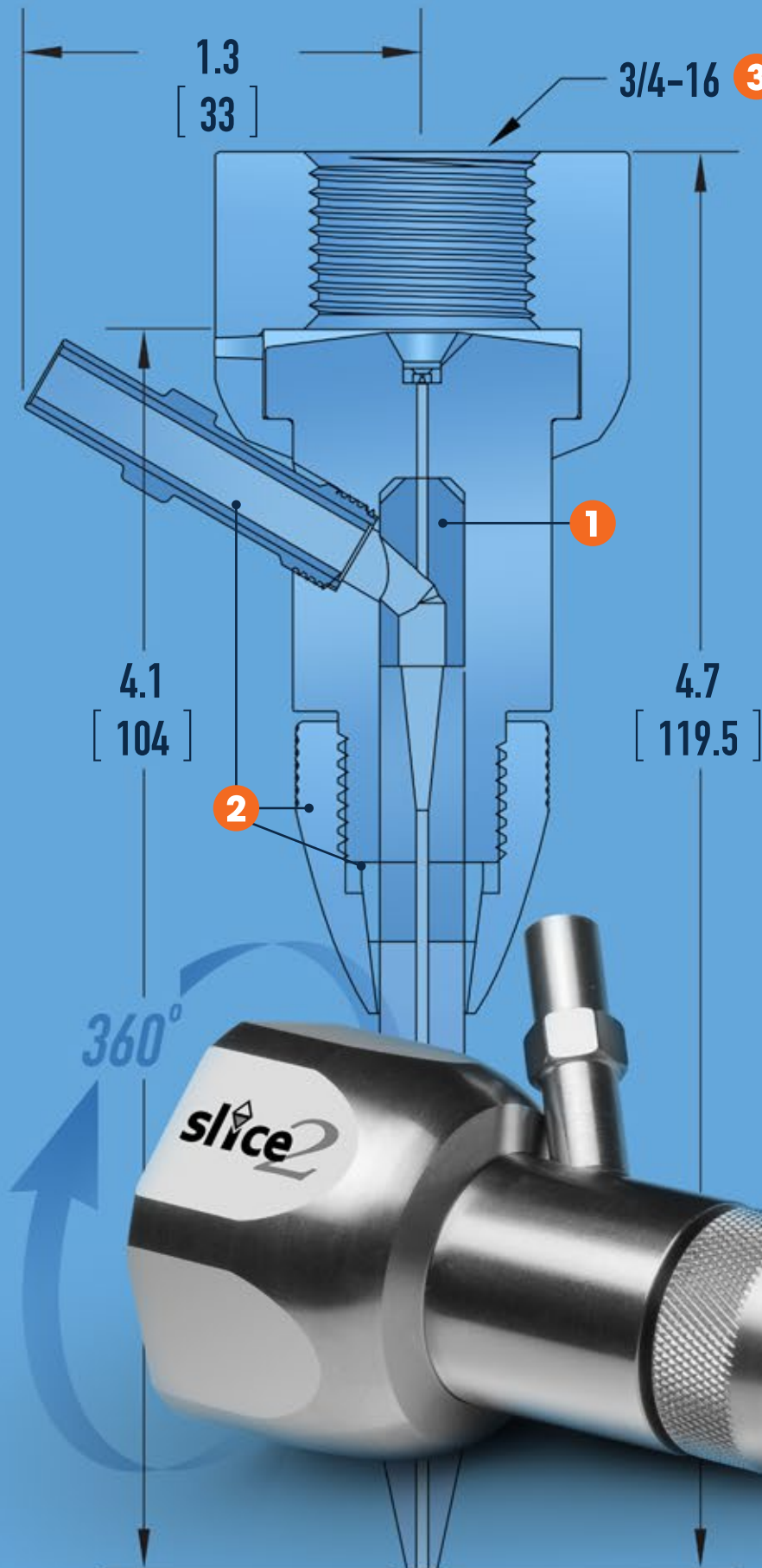
PART REPLACEMENT OPTIONS 2

For added versatility, the enhanced SLICE2 design allows for easy replacement of the abrasive inlet, collet and mixing tube clamp nut.

INCREASED ADAPTABILITY 3

Due to the larger, more robust outside geometry, SLICE2 is now adaptable to an even wider range of waterjet systems worldwide.

Diagram shown with 3/4-16. Additional styles are available.



ABRASIVE INLET

- ◆ 360° abrasive inlet rotation, makes SLICE2 the first cutting head design in the industry engineered to align with any abrasive tube location.
- ◆ With the ability to pivot 360 degrees, cutting head replacements have never been easier.
- ◆ 30° Abrasive inlet angle, designed for efficiency in abrasive entrainment and versatility with multi-axis cutting systems.

INTERNAL GEOMETRY

- ◆ Enhanced internal design with wear resistant, carbide insert maximizes particle entrainment into the jet stream to ensure optimized abrasive usage and long life.
- ◆ Mixing chamber, engineered to accelerate garnet particles to their highest velocity, for superior cut quality and the fastest cutting speeds.
- ◆ PACT™ Technology (Precision Aligned Cartridge Technology) is a revolutionary technology that ensures true alignment of the jet stream from the integral orifice through the entire cutting head assembly. This extends focusing tube life and maximizes energy on the material being cut, to reduce scrapped material and increase uptime.

SLIM LINE DESIGN

- ◆ Sleek, compact external geometry and lightweight design, built for closer head placement and easy adaptability to a variety of motion systems.
- ◆ Slim line design and incredibly tight tolerances make SLICE2 the best choice for multi-axis, steep angle cutting.

dti CORE™ Diamond

- ◆ Every SLICE2 is equipped with the #1 diamond orifice in the world, as chosen by the leading original equipment manufacturers, top distributors and their customers throughout the waterjet cutting industry.
- ◆ The dti CORE™ Diamond ensures perfect alignment every time and boasts an impressive average life of over 1,000 hours.
- ◆ dti CORE™ INSIDE guarantees American made quality, expert engineering, trusted reliability, and proven performance.



dti CORE™ INSIDE

- ◆ Each SLICE2 is equipped with a premium dti CORE™ Diamond ensuring reliability and performance that can only be provided with use of a REAL diamond and its inherently superior resistance to wear.
- ◆ With the revolutionary PACT technology built in, the dti CORE™ Diamond is integral to the cutting head, ensuring 0% chance for misalignment.
- ◆ SLICE2's perfectly aligned, integral diamond and slim line design combine superior cutting head performance with simple to use technology for easy install, use and replacement, all at an economical price point.

OTHER

- ◆ Cutting head designs that do not incorporate a dti CORE™ Diamond create unnecessary downtime, leading to higher cost and lower productivity due to repetitive demand for replacement.
- ◆ With standard drop-in style orifice assemblies, debris as small as a single garnet particle can obstruct the assembly and cause jet stream misalignment resulting in premature nozzle wear and decreased cutting performance.
- ◆ Other designs require constant monitoring and frequent maintenance to replace worn orifices and other cutting head components, in turn creating opportunity for misalignment, lower productivity and higher cost.



SLICE2 ACCESSORIES

ADDED VERSATILITY

With the newly enhanced SLICE2, it is now possible to order the cutting head configurations and accessories perfect for your operation. SLICE2's ability to adapt to an even wider range of waterjet systems worldwide allows for greater versatility in ordering and ensures the cutting head will meet your specific needs.



DA-ABR-01
Abrasive Inlet



D-NUT-18
Mixing Tube Clamp Nut



D-COL-11
Collet



DA-GRD-01
Splash Guard



MA-FIL-03
Diamond Guard Assembly

M-FIL-01
Diamond Guard Filter

M-ADP-06
Diamond Guard Adapter



D-GRD-02
Splash Guard 2

For Additional Diamond Guard Housing Options, see dti™ Catalogue

dti™ is a manufacturer of orifices and cutting heads for OEMs and distributors only. To place an order, contact your waterjet supplier or contact us for your nearest authorized dealer.

1043-A Kaiser Rd SW, Olympia, WA 98512

CHOOSE YOUR SLICE2

CUSTOMIZE YOUR ORDER

Insert your thread style and size

SLC2- X - X X

SLC2- X - X X -R5

With Roctec® 500 Mixing Chamber

■ R (Right) or L (Left)

■ Orifice Size

- ◆ Standard orifice size range: 0.008"-0.018"
- ◆ Fits with standard .281" or 7.14mm nozzle (nozzle not included)



DA-GRD-02
Splash Guard shown
with SLICE2