

FACILITY REQUIREMENTS	
MAIN SYSTEM	
AIR	538 L/MIN (19SCFM) @ 6.9-8.3 BAR (100-120 PSI) FOR Z-AXIS END EFFECTOR ADDITIONAL 538 L/MIN (19 SCFM) INTERMITTENT REQUIRED PER Z-AXIS END EFFECTOR FOR (OPTIONAL) ULTRAPIERCE VACCUM ASSIST
WATER	7.6 L/MIN (2 GPM) @ 4.1 BAR (60 PSI)
CATCHER	
DRAIN	1" NPT GRAVITY DRAIN
ABRASIVE BULK TRANSFER (ABT)	
AIR	SEE ABT PRE-INSTALL DRAWING FOR REQUIREMENTS
PUMP	
AIR	SEE PUMP PRE-INSTALL DRAWING FOR REQUIREMENTS
WATER	
POWER	
ELECTRICAL REQUIREMENTS	
3-PHASE VOLTAGE/FREQUENCY	MAIN CIRCUIT BREAKER SIZE
480 VAC - 60 HZ	20 AMPS
400 VAC - 50 HZ	20 AMPS

NOTES:

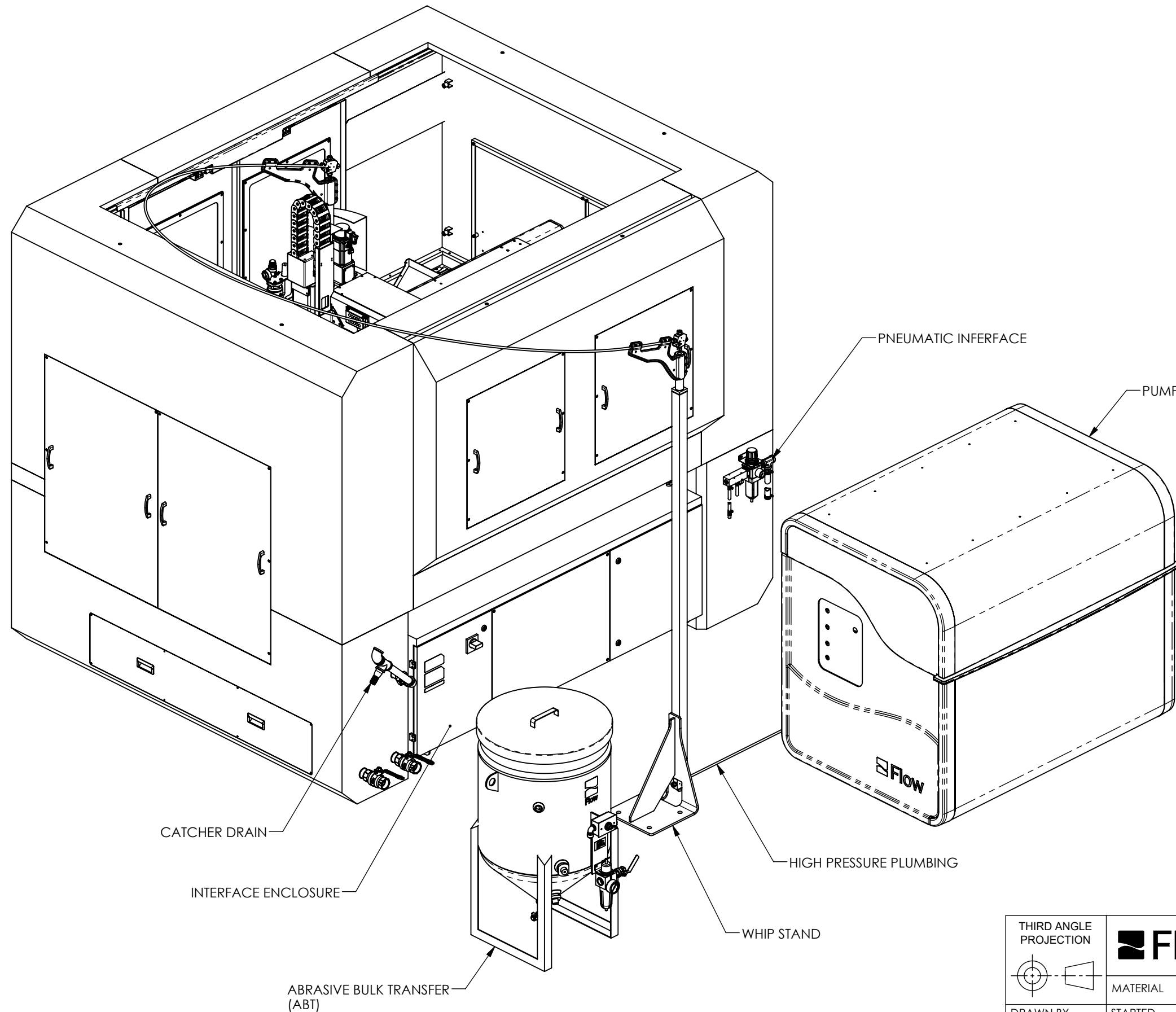
- [101] RECOMMENDED CLEARANCE FOR MACHINE ACCESS AND MAINTENANCE IS 1000 MM (39"). ACTUAL DISTANCE TO BE DETERMINED BY LOCAL CODES/REGULATIONS.
- [102] SEE PUMP PRE-INSTALL DRAWING FOR SIZE AND REQUIREMENTS.
- [103] UTILITY DROPS FOR AIR, WATER, AND POWER LOCATIONS ARE APPROXIMATED. IF EQUIPPED WITH LIGHT CURTAINS, DROPS MUST NOT INTERFERE WITH CURTAIN SIGNAL.
- [104] LOCATION SHOWN FOR REFERENCE. ABT CAN BE LOCATED WITHIN CABLE AND HOSE LIMITS. EXTENSION KITS ARE AVAILABLE FOR ALTERNATE LOCATIONS IF REQUIRED. SEE ABT PRE-INSTALL DRAWING FOR SIZE AND REQUIREMENTS.
- [106] RECOMMENDED CLEARANCE ON ALL SIDES OF THE ABT IS 1000 MM (39").
- 107. FOUNDATION PAD TO BE A MINIMUM OF 610 MM (24") LARGER THAN CATCHER AND MAIN SYSTEM BASES. PAD TO BE MONOLITHIC SLAB, FREE OF CONSTRUCTION JOINTS OR CRACKS. OVERALL FLATNESS TO BE +/- 13 MM (1/2").
- [108] UTILITY DROP FOR MACHINE POWER. REQUIRED ONLY WHEN USING A CUSTOMER-SUPPLIED HIGH-PRESSURE PUMP.

DIMENSIONS ARE IN MILLIMETERS.
DIMENSIONS IN BRACKETS ARE IN INCHES.

LEGEND

- ⊕ UTILITY DROP
- ⊖ MACHINE HOME

THIRD ANGLE PROJECTION			THIS DRAWING IS THE PROPERTY OF FLOW INTERNATIONAL CORPORATION AND IS NOT TO BE COPIED OR REPRODUCED WITHOUT THE WRITTEN CONSENT OF FLOW INTERNATIONAL CORPORATION.		
	MATERIAL				
DRAWN BY R. MANN	STARTED 9/27/2022	ENG C. WAKEFIELD	EST WEIGHT N/A	MODELED IN SOLIDWORKS	
TITLE PRE-INSTALL;M200C;1313					
REVISION A	SCALE 1:40	BASE PART NUMBER	063462		1 OF 2



UNCONTROLLED COPY. USER IS RESPONSIBLE FOR VERIFYING THE CURRENT REVISION LEVEL.

THIRD ANGLE PROJECTION 				THIS DRAWING IS THE PROPERTY OF FLOW INTERNATIONAL CORPORATION AND IS NOT TO BE COPIED OR REPRODUCED WITHOUT THE WRITTEN CONSENT OF FLOW INTERNATIONAL CORPORATION.	
DRAWN BY R. MANN		STARTED 9/27/2022	ENG C. WAKEFIELD	EST WEIGHT N/A	MODELED IN SOLIDWORKS
TITLE PRE-INSTALL;M200C;1313					
REVISION A	SCALE 1:20	BASE PART NUMBER	063462		2 OF 2