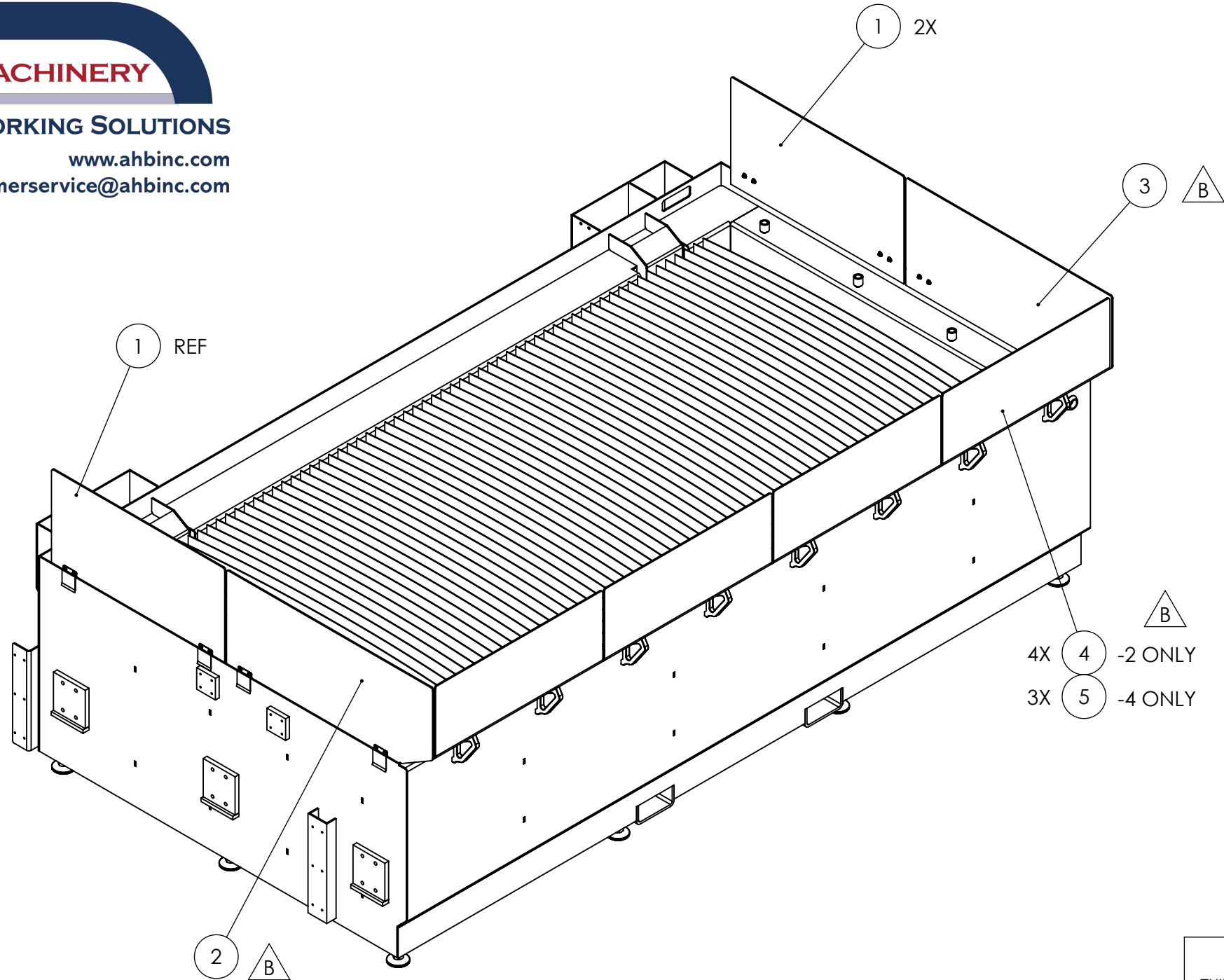




**COMPLETE METALWORKING SOLUTIONS**  
 (800) 991-4225 www.ahbinc.com  
 ISO Certified customerservice@ahbinc.com

ITEM NO.	-4	-2	U/M	PART NUMBER	DESCRIPTION
1	2	2	EA	059806-2	SHIELD ASSY;CATCHER;M300;STR
2	1	1	EA	059929-2	SHIELD ASSY;CATCHER;M300;STR
3	1	1	EA	059930-2	SHIELD ASSY;CATCHER;M300;STR
4	-	4	EA	060812-1	SHIELD ASSY;CATCHER;M300;FRONT
5	3	-	EA	060812-2	SHIELD ASSY;CATCHER;M300;FRONT



ENGINEERING REFERENCE	
PART NUMBER	TANK SIZE
059985-2	3M WIDE X 1.5M LONG
059985-4	2M WIDE X 1.5M LONG

THIRD ANGLE PROJECTION	THIS DRAWING IS THE PROPERTY OF TOPS WATERJET CO. AND IS NOT TO BE COPIED OR REPRODUCED WITHOUT THE WRITTEN CONSENT OF TOPS WATERJET CO.			
	LEGACY PART NUMBER	N/A		
	MATERIAL	SEE BOM		
DRAWN BY FOLIAGE	STARTED 11/21/2016	ENG J.HOPKINS	EST WEIGHT EA	MODELED IN SOLIDWORKS
TITLE SPRAY CONTAINMENT KIT				
REVISION B	SCALE 1:20	BASE PART NUMBER	059985	1 OF 1