

 **Flow**

Mach 200
Waterjet Series

AHB

TOOLING & MACHINERY, INC.

COMPLETE METALWORKING SOLUTIONS

(800) 991-4225

www.ahbinc.com

ISO Certified

customerservice@ahbinc.com



Mach 200

elevate expectations.

Mach 200:

VALUE + PERFORMANCE.

1 POWERFUL WATERJET SOLUTION

Uniquely flexible and practical, the Mach 200 waterjet is specifically engineered to deliver value, reliability, and performance. Easily cut materials from stone to carbon fiber, and simple 2D designs to complex bevels -- all with capabilities often reserved for elite waterjet systems, at an unparalleled price.

Reliable performance. Incredible value. **Elevate expectations.**

Pump Selection

Select from a wide array of industry leading pump technology. As the only manufacturer of both Intensifier and Direct Drive pumps, we have the right pump for every application.

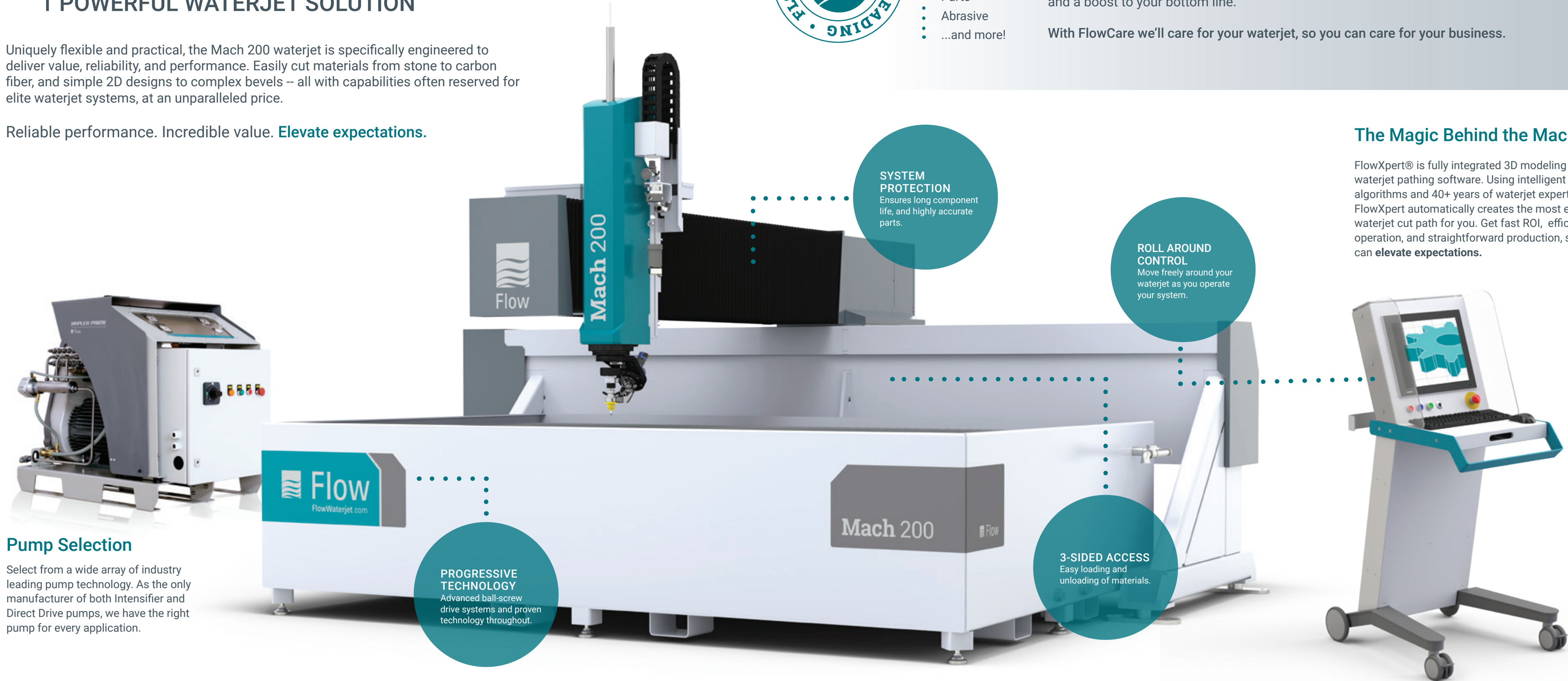


- Technology
- Support
- Training
- Service
- Parts
- Abrasive
- ...and more!

Maximize your uptime and profits with  **FlowCare**

With FlowCare, our customers are set up for success from the start; from training to service, technical expertise to genuine parts, and everything in-between. Get confidence in your uptime and a boost to your bottom line.

With FlowCare we'll care for your waterjet, so you can care for your business.



SYSTEM PROTECTION
Ensures long component life, and highly accurate parts.

ROLL AROUND CONTROL
Move freely around your waterjet as you operate your system.

3-SIDED ACCESS
Easy loading and unloading of materials.

PROGRESSIVE TECHNOLOGY
Advanced ball-screw drive systems and proven technology throughout.

The Magic Behind the Machine

FlowXpert® is fully integrated 3D modeling and waterjet pathing software. Using intelligent algorithms and 40+ years of waterjet expertise, FlowXpert automatically creates the most efficient waterjet cut path for you. Get fast ROI, efficient operation, and straightforward production, so you can **elevate expectations.**

State-of-the-art Cutting Technology

From 2D to multi-axis cutting, Flow technology provides the highest accuracy, fastest cut part.

Other cutting head options available.



 EXCLUSIVE

Pivot+ Waterjet

Multi-axis, taper compensation cutting with accuracy and flexibility.



 PATENTED

UltraPierce™

Vacuum Assist for piercing of brittle and laminated materials.

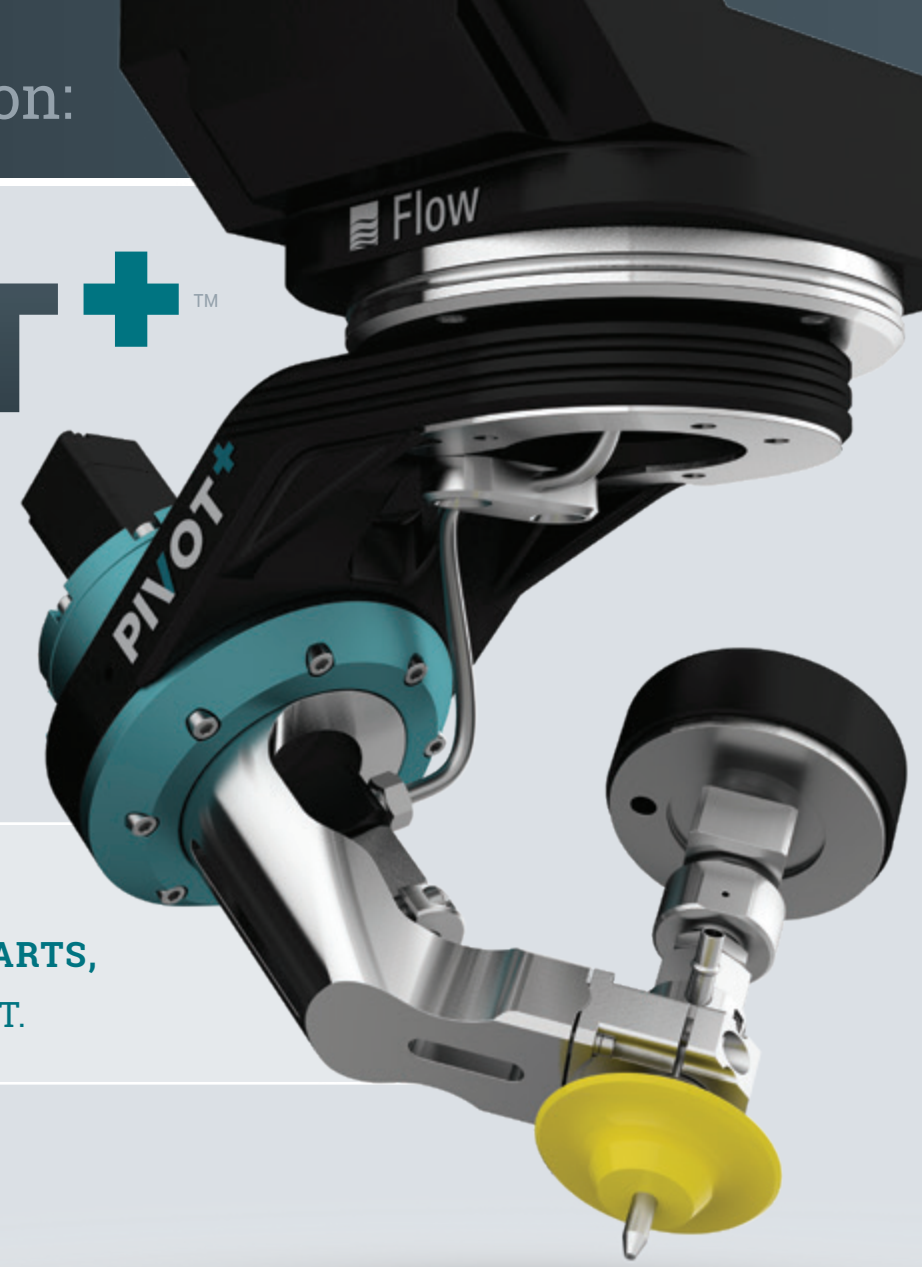
The New Dimension:

PIVOT+™

Waterjet

only on the Mach 200

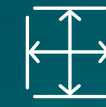
CUT FLAT STOCK, BEVEL, AND DIVERSE GEOMETRY PARTS, ALL WITH PIVOT+ WATERJET.



Multi-axis cutting solution with taper compensation – **up to 60 degrees** for bevel cutting



Exceptional throughput with high speed wrist motion up to **120 RPM**



Compact design delivers maximum cutting area



Fast set-up and calibration

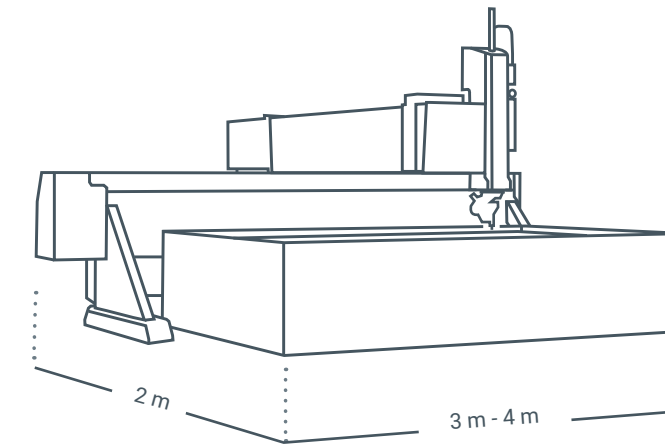


Robust, **durable** construction with IP67 rating



Designed by Flow cutting technology **experts**

Mach 200

elevate expectations.


SPECIFICATIONS & CONFIGURATIONS

Linear Straightness Accuracy	→ ± 0.095 mm/m
Rapid Traverse Maximum	→ 10 m/min
Acceleration	→ 0.05 g
Repeatability	→ 0.051 mm
Ballbar Circularity	→ ± 0.095 mm
Z-Axis Travel	→ 203 mm
Base	→ 3 m, 4 m
Bridge	→ 2 m

ANCILLARY OPTIONS & ACCESSORIES

Service Packages
 FlowPath™
 FlowNest®
 FlowXpert®
 FlowCut™
 Paser CF900 Continuous Feed Hopper
 UltraPierce™ Vacuum Assist
 Spray Containment Shields

UNITED STATES & CANADA
 23500 64th Avenue South
 Kent, Washington 98032 USA
 Tel: 253-850-3500
 TOLL-FREE: 800-446-3569
 Fax: 253-813-3285
 info@flowcorp.com
 FlowWaterjet.com

CENTRAL AMERICA, SOUTH AMERICA,
 MEXICO & CARIBBEAN
 Tel: +55-11-3616-2820
 flowlatino@flowcorp.com

EUROPE, MIDDLE EAST & AFRICA
 Tel: +49 (0) 6151 3095-0
 info-germany@flowcorp.com

TAIWAN, CHINA, KOREA, SOUTHEAST
 ASIA, AUSTRALIA & NEW ZEALAND
 Tel: +86-21-5438-2222
 sales.fh@flowcorp.com

JAPAN
 Tel: +81-3-5789-5920
 fjp@flowcorp.com