

# Main Components

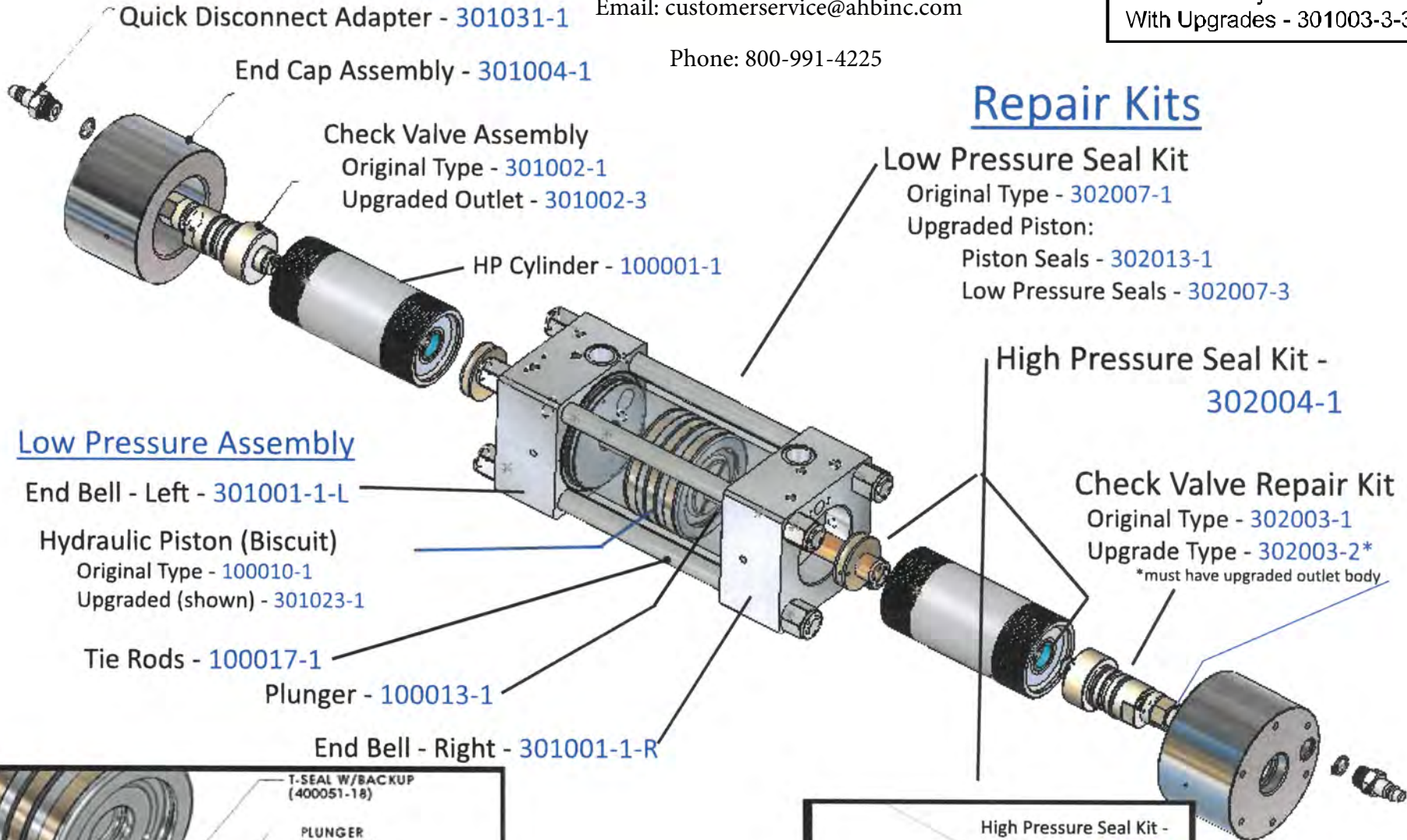
## High Pressure Assembly



Email: customerservice@ahbinc.com

Phone: 800-991-4225

**Intensifier Components**  
for  
Basic Style - 301003-1  
With Upgrades - 301003-3-3-HL



## Low Pressure Assembly

End Bell - Left - 301001-1-L

Hydraulic Piston (Biscuit)  
Original Type - 100010-1  
Upgraded (shown) - 301023-1

Tie Rods - 100017-1

Plunger - 100013-1

End Bell - Right - 301001-1-R

