

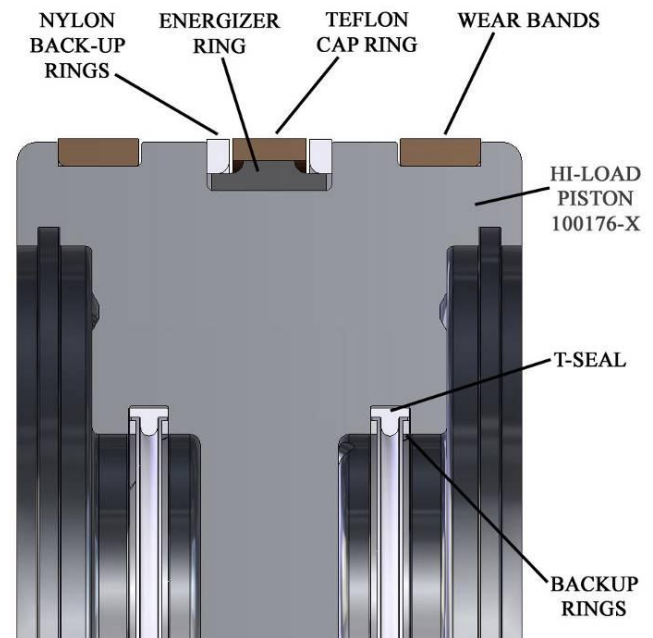
Old Flow Piston



H2O Jet Hi-Load Piston

HI-LOAD PISTON, 301023-1, 301023-2

- Teflon Wear Band reduces friction and improves alignment.
- Superior life compared to the competitors old O-Ring design.
- Wear Bands and Cap Ring eliminate the tilting and rocking of the Piston, reducing wear on the hydraulic cylinder.
- Teflon material reduces friction, improving life of the seals and hydraulic cylinder.



CERAMIC PLUNGER, 100013-1, 100013-2

- Solid one piece design eliminates the possibility of traditional metal band from separating.
- Mirror smooth finish increases seal and plunger life.



Flow Ceramic Plunger



H2O Jet Ceramic Plunger



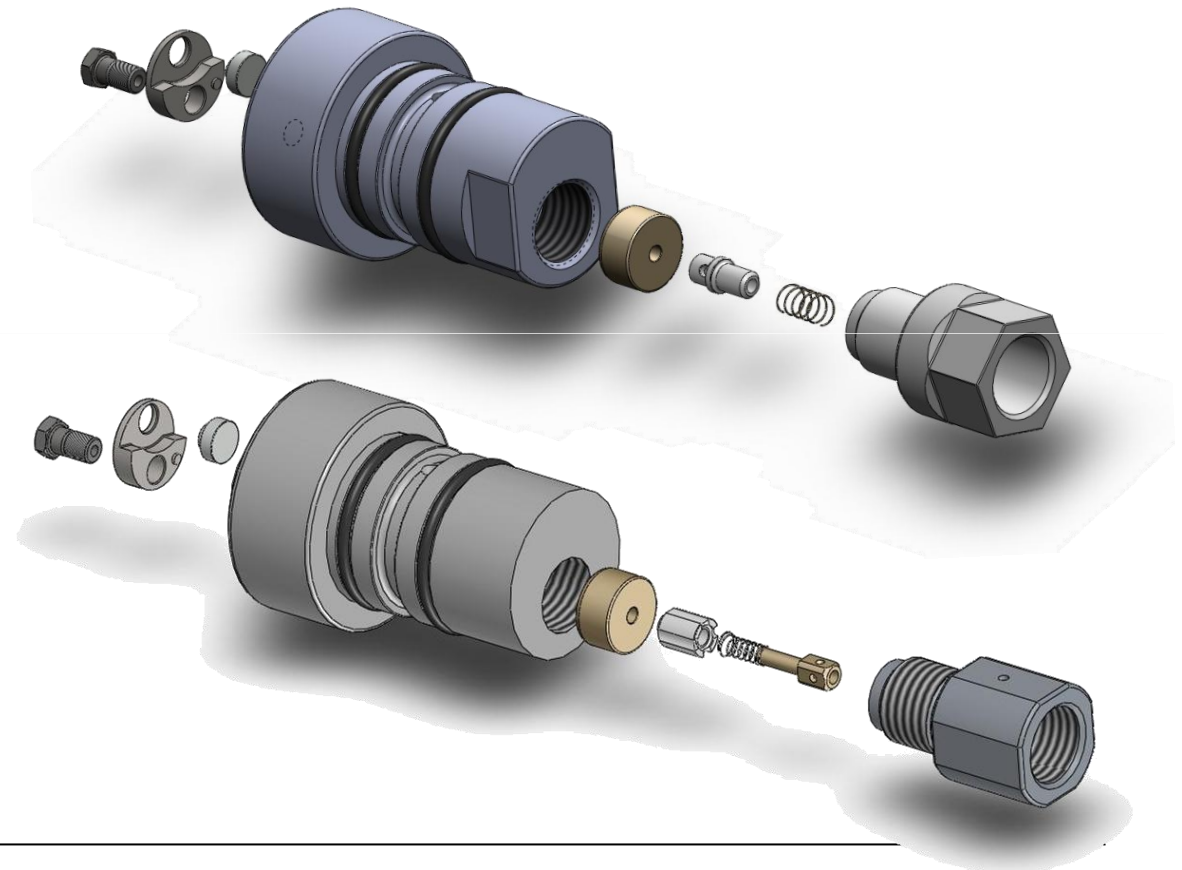
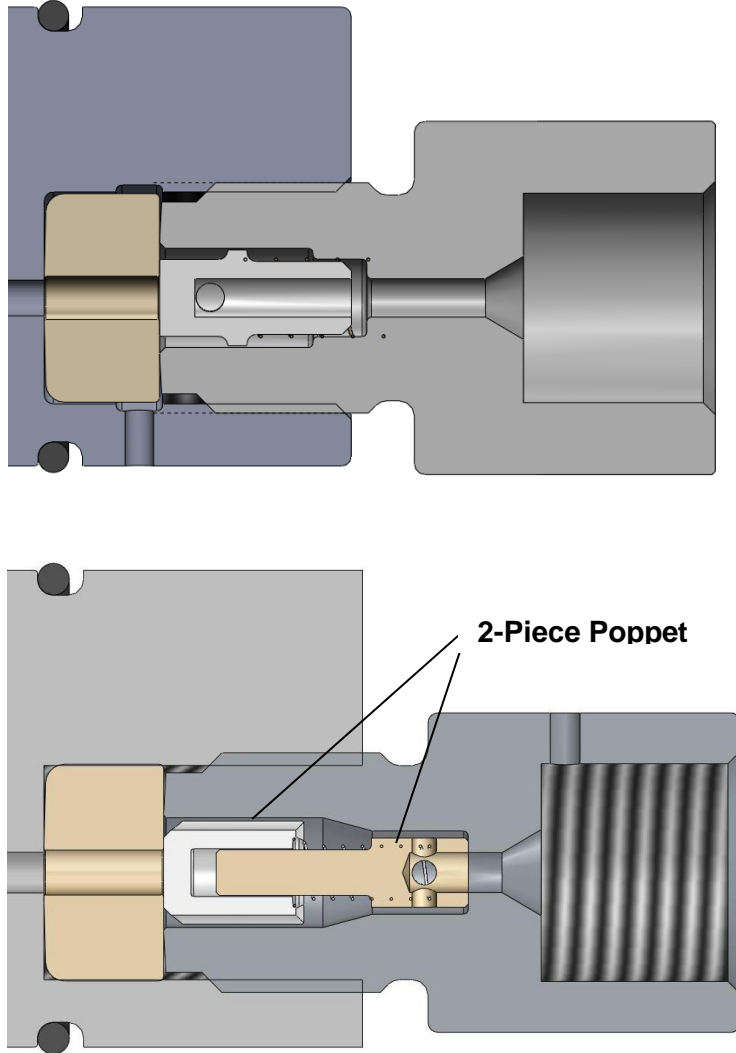
HP CYLINDER, 100001-1, 100001-2

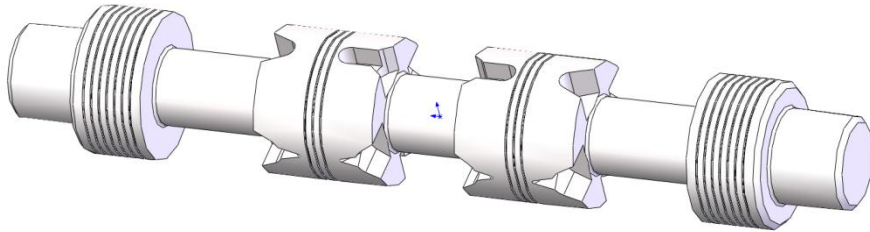
- H2O Jet's proprietary design eliminates the famous "13 thread failure" in the competitors design.
- Proprietary process significantly increases the fatigue life.
- Solid-Lubricant coated threads reduce the chances of seizing or galling.



CHECK VALVE, H2O 2 PIECE POPPET, 301002-3, 301002-4

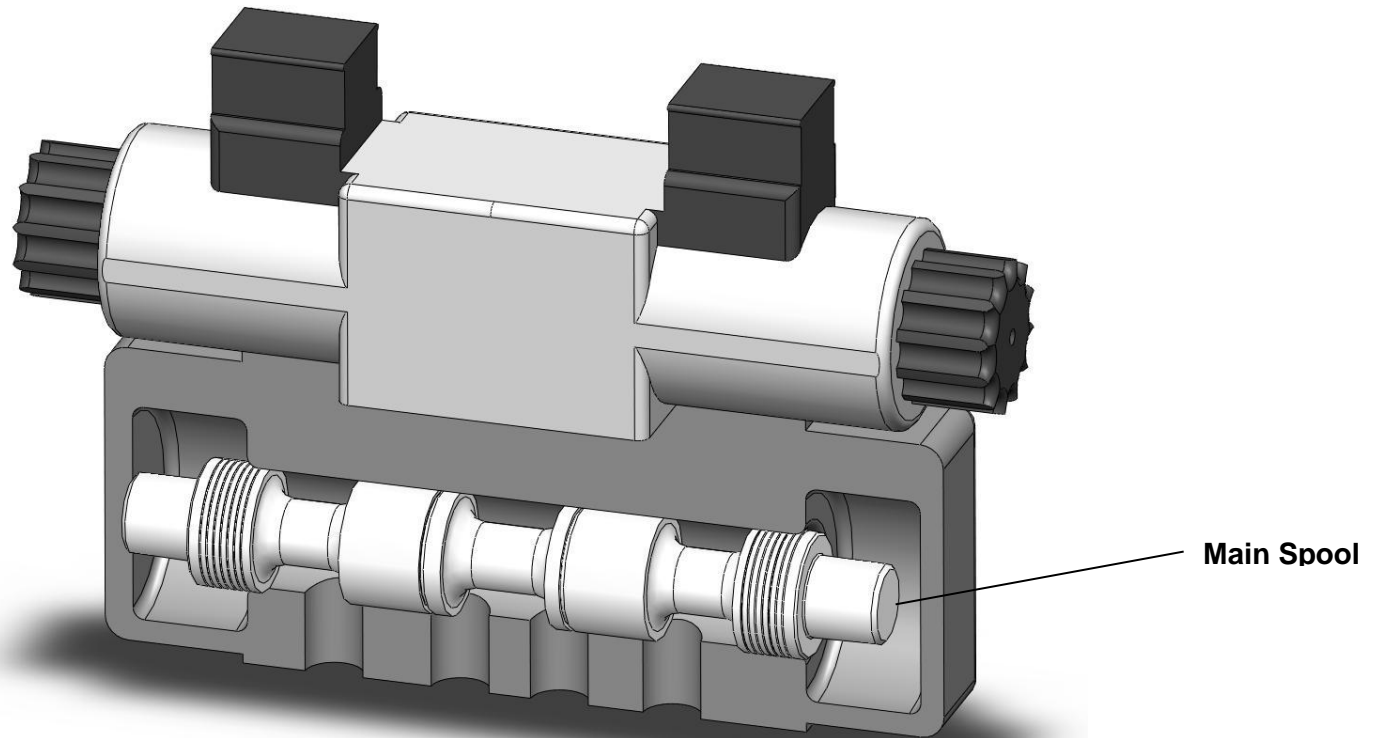
- Unique two-piece poppet design provides smoother shifting between strokes.
- Reduces pressure drop between intensifier strokes.
- Proven and reliable design reduced downtime.





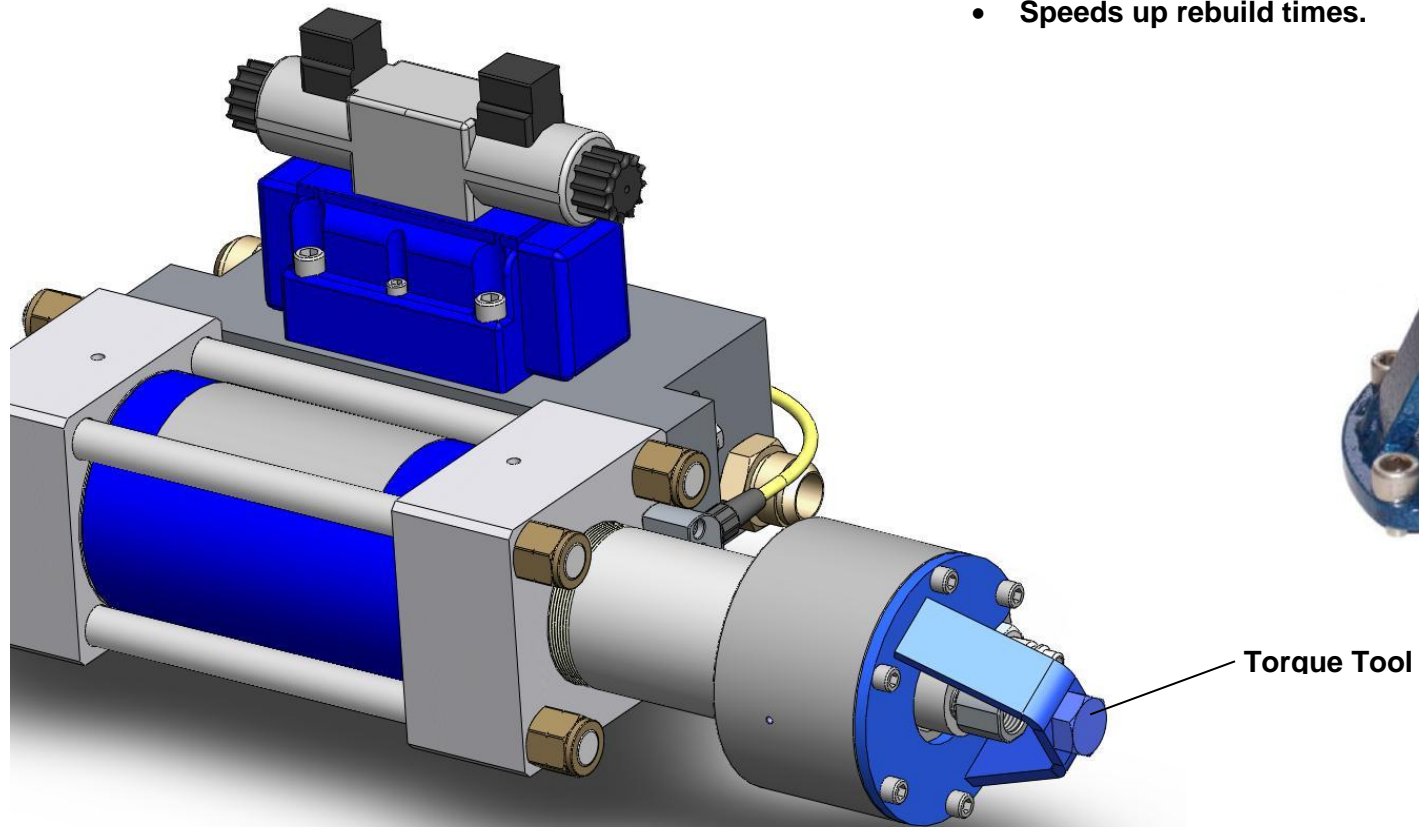
SHIFT VALVE, ELECTRONIC – 301018-2

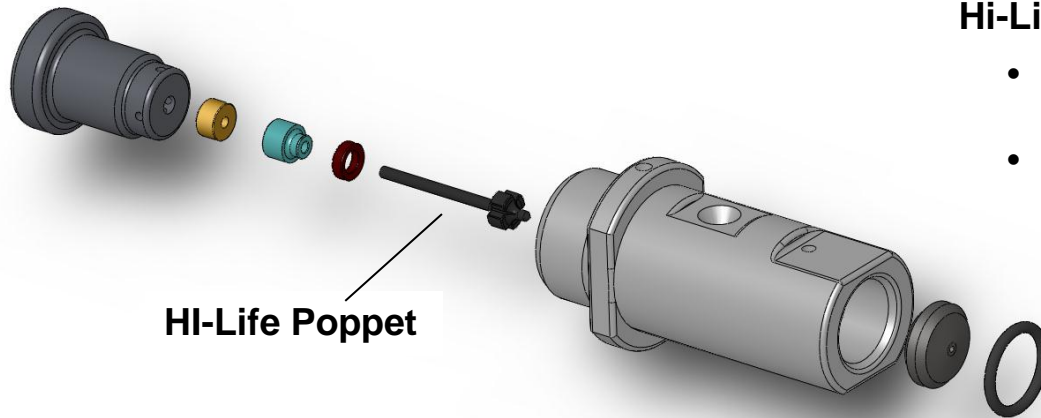
- H2O Jet uses a custom main spool to provide significantly improved shift response.
- Provides smoother shifting than the competitor.
- Reduces pressure drop between intensifier strokes.



TORQUE TOOL, END CAP – 301041-1

- Provides a method of torquing the end cap to a specific value during each rebuild.
- Eliminates the inconsistent torque problems of the old “Spanner and Hammer” method that the competitor uses.
- Speeds up rebuild times.





Hi-Life On/Off Valve Kit – 302001-5

- Proprietary Anti-Friction Wear Coating significantly increases Poppet life.
- Precision tolerancing reduces down time.



Standard Kit



Hi-Life Kit

Bleed Down Valve Repair Kit – 302008-1

- Increased poppet end diameter for improved performance.
- Increased stiffness reduces poppet bending.
- Helps keep poppet centered for improved life.



Flow Poppet



H2O Jet Poppet

