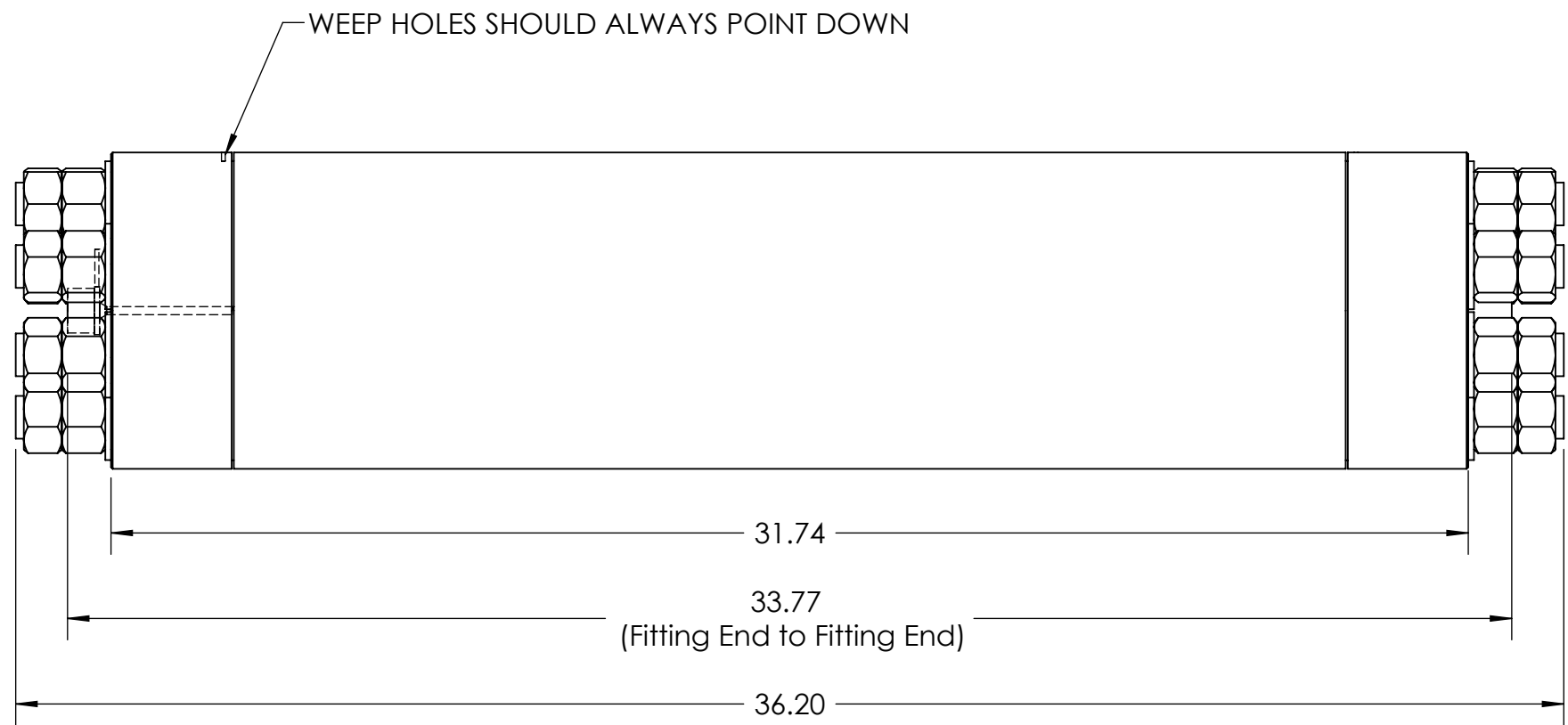
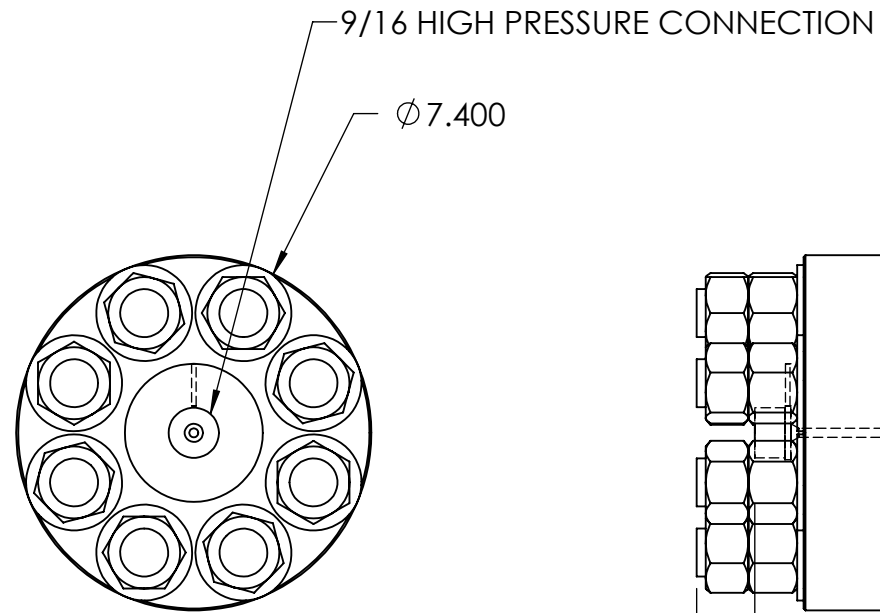


REVISIONS			
REV.	DESCRIPTION	DATE	APPROVED
D		1/17/2011	



NOTE:
THIS ASSEMBLY IS NOT SERVICEABLE BY THE END USER.
PLEASE CONTACT ACCUSTREAM IF SERVICE IS NECESSARY.

HIGHLY CONFIDENTIAL PROPRIETARY INFORMATION			ACCUSTREAM, INC. 309 5TH AVENUE NW PHONE: 651-294-8600 NEW BRIGHTON, MN 55112 FAX: 651-294-8620 EMAIL: INFO@ACCUSTREAM.COM WEB: WWW.ACCUSTREAM.COM		TITLE: ATTENUATOR ASSEMBLY, 2 LITER																
	ALL DATA AND INFORMATION ON THIS DOCUMENT IS FOR THE SOLE USE OF ACCUSTREAM AND ITS LICENSEES AND MAY NOT BE USED WITHOUT PERMISSION	-TOLERANCES- UNLESS OTHERWISE SPECIFIED DIMENSIONS IN INCHES ANGULAR: MACH ± 1 BEND ± 1 ONE PLACE DECIMAL ± .05 TWO PLACE DECIMAL ± .015 THREE PLACE DECIMAL ± .005	<table border="1"> <tr> <td>NAME</td> <td>DATE</td> <td>MATERIAL</td> </tr> <tr> <td>DRAWN CJV</td> <td>8/24/04</td> <td>SEE PARTS LIST</td> </tr> <tr> <td>CHECKED EJC</td> <td>8/24/07</td> <td>HARDNESS</td> </tr> <tr> <td>ENG APPR. EJC</td> <td>8/24/07</td> <td>WEIGHT 363.64</td> </tr> </table>	NAME	DATE	MATERIAL	DRAWN CJV	8/24/04	SEE PARTS LIST	CHECKED EJC	8/24/07	HARDNESS	ENG APPR. EJC	8/24/07	WEIGHT 363.64	<table border="1"> <tr> <td>SHEET 1 OF 1</td> <td>SCALE: 1:4</td> <td>FINISH</td> </tr> <tr> <td>SIZE B</td> <td>DWG. NO. 11595</td> <td>REV D</td> </tr> </table>	SHEET 1 OF 1	SCALE: 1:4	FINISH	SIZE B	DWG. NO. 11595
NAME	DATE	MATERIAL																			
DRAWN CJV	8/24/04	SEE PARTS LIST																			
CHECKED EJC	8/24/07	HARDNESS																			
ENG APPR. EJC	8/24/07	WEIGHT 363.64																			
SHEET 1 OF 1	SCALE: 1:4	FINISH																			
SIZE B	DWG. NO. 11595	REV D																			