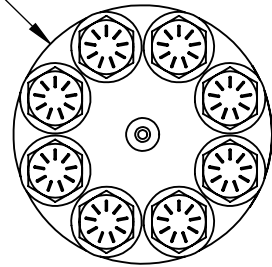
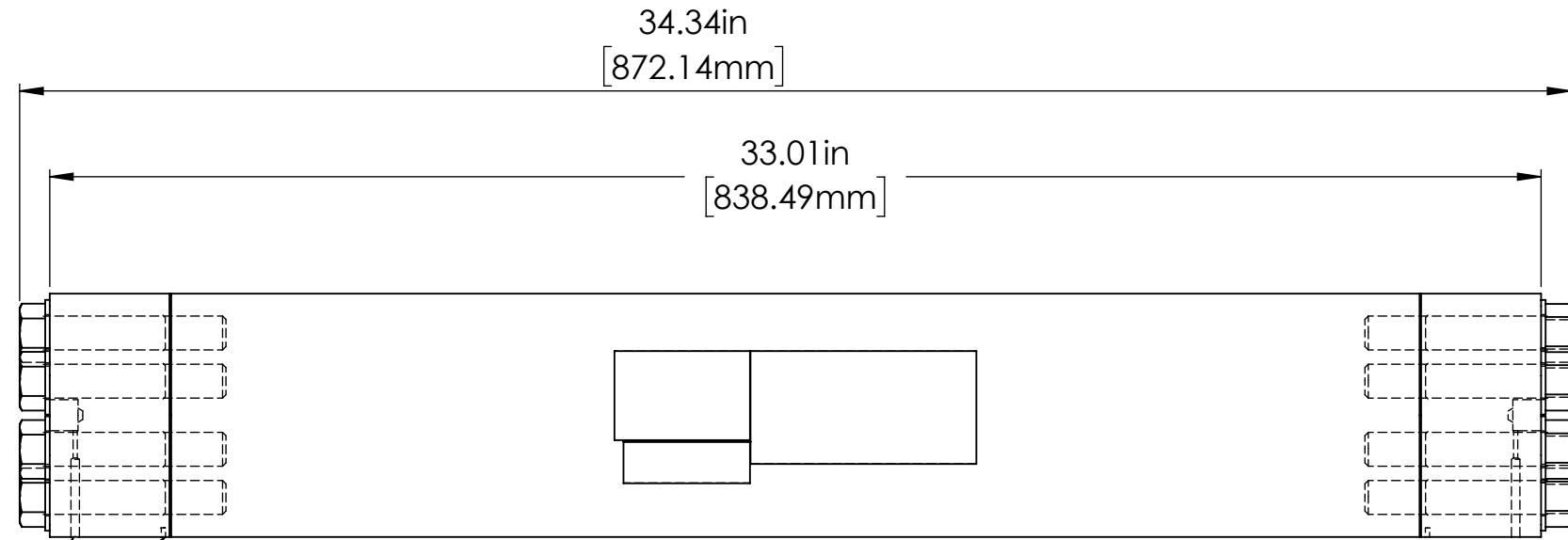


Ø 5.39in  
[136.78mm]



WEEP HOLES SHOULD ALWAYS POINT DOWN



NOTES:  
1. THIS ASSEMBLY IS NOT SERVICEABLE BY THE END USER,  
PLEASE CONTACT ACCUSTREAM IF SERVICE IS NECESSARY

<p><b>HIGHLY CONFIDENTIAL PROPRIETARY INFORMATION</b></p>	<p><i>Hypertherm</i> 309 5TH AVENUE NW PHONE: 651-294-8600 NEW BRIGHTON, MN 55112 FAX: 651-294-8620 EMAIL: WATERJET@HYPERTHERM.COM WEB: WWW.HYPERTHERM.COM</p>			<p>TITLE: ATTEN ASSY:1 LITER</p>																						
	<p>THIS DRAWING AND ALL INFORMATION CONTAINED THEREON IS CONSIDERED PROPRIETARY AND MAY NOT BE USED FOR MANUFACTURING OR FABRICATION PURPOSES WITHOUT PERMISSION FROM HYPERTHERM, INC.</p>	<p>-TOLERANCES- UNLESS OTHERWISE SPECIFIED DIMENSIONS IN INCHES ANGULAR: MACH ± 1 BEND ± 1 ONE PLACE DECIMAL ± .05 TWO PLACE DECIMAL ± .015 THREE PLACE DECIMAL ± .005 BREAK AND DEBURR ALL EDGES .015 MAX</p>	<table border="1"> <tr> <td></td> <td>NAME</td> <td>DATE</td> <td>MATERIAL</td> </tr> <tr> <td>DRAWN</td> <td>EJC</td> <td>11/2/06</td> <td>SEE PARTS LIST</td> </tr> <tr> <td>CHECKED</td> <td></td> <td></td> <td>HARDNESS</td> </tr> <tr> <td>ENG APPR.</td> <td></td> <td></td> <td>WEIGHT 196.99</td> </tr> </table>		NAME	DATE	MATERIAL	DRAWN	EJC	11/2/06	SEE PARTS LIST	CHECKED			HARDNESS	ENG APPR.			WEIGHT 196.99	<table border="1"> <tr> <td>SHEET 1 OF 1</td> <td>SCALE: 1:4</td> <td>FINISH</td> </tr> </table>	SHEET 1 OF 1	SCALE: 1:4	FINISH	<table border="1"> <tr> <td>SIZE <b>B</b></td> <td>DWG. NO. <b>1-12280 INSTALL DWG</b></td> <td>REV <b>C</b></td> </tr> </table>	SIZE <b>B</b>	DWG. NO. <b>1-12280 INSTALL DWG</b>
	NAME	DATE	MATERIAL																							
DRAWN	EJC	11/2/06	SEE PARTS LIST																							
CHECKED			HARDNESS																							
ENG APPR.			WEIGHT 196.99																							
SHEET 1 OF 1	SCALE: 1:4	FINISH																								
SIZE <b>B</b>	DWG. NO. <b>1-12280 INSTALL DWG</b>	REV <b>C</b>																								

