



## Attenuator guard

for HyPrecision 60S and 75S pumps without redundant intensifiers



Installation guide

809630 | Revision 1 | English



# ***Attenuator guard***

## **Installation guide**

809630  
Revision 1

English  
Original Instructions

June 2016

Hypertherm Inc.  
Hanover, NH 03755 USA  
[www.hypertherm.com](http://www.hypertherm.com)

**Hypertherm Inc.**

Etna Road, P.O. Box 5010  
Hanover, NH 03755 USA  
603-643-3441 Tel (Main Office)  
603-643-5352 Fax (All Departments)  
info@hypertherm.com (Main Office Email)  
**800-643-9878 Tel (Technical Service)**  
technical.service@hypertherm.com (Technical Service Email)  
**800-737-2978 Tel (Customer Service)**  
customer.service@hypertherm.com (Customer Service Email)  
**866-643-7711 Tel (Return Materials Authorization)**  
**877-371-2876 Fax (Return Materials Authorization)**  
return.materials@hypertherm.com (RMA email)

**Hypertherm Plasmatechnik GmbH**

Sophie-Scholl-Platz 5  
63452 Hanau  
Germany  
00 800 33 24 97 37 Tel  
00 800 49 73 73 29 Fax

**Hypertherm (Singapore) Pte Ltd.**

82 Genting Lane  
Media Centre  
Annexe Block #A01-01  
Singapore 349567, Republic of Singapore  
65 6841 2489 Tel  
65 6841 2490 Fax  
Marketing.asia@hypertherm.com (Marketing Email)  
TechSupportAPAC@hypertherm.com (Technical Service Email)

**Hypertherm Japan Ltd.**

Level 9, Edobori Center Building  
2-1-1 Edobori, Nishi-ku  
Osaka 550-0002 Japan  
81 6 6225 1183 Tel  
81 6 6225 1184 Fax  
HTJapan.info@hypertherm.com (Main Office Email)  
TechSupportAPAC@hypertherm.com (Technical Service Email)

**Hypertherm Korea Branch**

#3904. APEC-ro 17. Heaundae-gu. Busan.  
Korea 48060  
82 (0)51 747 0358 Tel  
82 (0)51 701 0358 Fax  
Marketing.korea@hypertherm.com (Marketing Email)  
TechSupportAPAC@hypertherm.com (Technical Service Email)

**Hypertherm Europe B.V.**

Vaartveld 9  
4704 SE  
Roosendaal, Nederland  
31 165 596907 Tel  
31 165 596901 Fax  
31 165 596908 Tel (Marketing)  
**31 165 596900 Tel (Technical Service)**  
**00 800 4973 7843 Tel (Technical Service)**

**Hypertherm (Shanghai) Trading Co., Ltd.**

B301, 495 ShangZhong Road  
Shanghai, 200231  
PR China  
86-21-80231122 Tel  
86-21-80231120 Fax

**Hypertherm Brasil Ltda.**

Rua Bras Cubas, 231 – Jardim Maia  
Guarulhos, SP – Brasil  
CEP 07115-030  
55 11 2409 2636 Tel  
55 11 2408 0462 Fax

**Hypertherm México, S.A. de C.V.**

Avenida Toluca No. 444, Anexo 1,  
Colonia Olivar de los Padres  
Delegación Álvaro Obregón  
México, D.F. C.P. 01780  
52 55 5681 8109 Tel  
52 55 5683 2127 Fax

## Section 1

### Product description

---

This guard is designed to be used on a 2-liter Hypertherm or AccuStream attenuator.

The attenuator guard is intended to keep personnel safe from studs or end caps, which can become projectiles if the attenuator fails.

### Specifications

2-liter attenuator	181.44 kg (400 lb)
Attenuator guard	99.06 cm × 22.2 cm × 18.26 cm (39 in × 8-3/4 in × 7-3/16 in)
	25.85 kg (57 lb)



## Section 2

### Installation






---

Hypertherm products are designed and manufactured with a commitment to continuous quality control and safety. Contact a Hypertherm Technical Service Associate for information and support regarding the installation and repair of this equipment.

**These installation instructions are for HyPrecision 60S and 75S pumps without redundant intensifiers.**

**For HyPrecision 100D pumps, 150D pumps, and 60S and 75S pumps with redundant intensifiers, refer to 809640 Attenuator guard installation guide for HyPrecision 100D, 150D, and 60S and 75S pumps with redundant intensifiers.**

### Safety

	Refer to the instruction manual. Read and understand all of the safety guidelines in this manual.
 <b>DANGER</b>	Dangerous voltage To reduce the risk of serious injuries or death, wear approved protection and follow safety recommendations when working with electricity.
 <b>WARNING</b>	Personal protective equipment is recommended. Failure to wear personal protective equipment can result in injuries or death.
 <b>WARNING</b>	A person who works on deenergized machinery may be seriously injured or killed if the machinery is reenergized without permission. All workers must respect lock-out and tag-out devices. Only the person who applies a hazardous energy control device should remove it. All workers in an area where energy-control procedures are used must receive training regarding the energy-control procedure and the prohibition against removing a lock out-tag out device.
	Keep the work area clean and free of fluid spills.

## Installation

### Unpack the guard

Make sure that these items are included:

- Attenuator guard
- Attenuator guard strap kit

The attenuator guard strap kit contains:

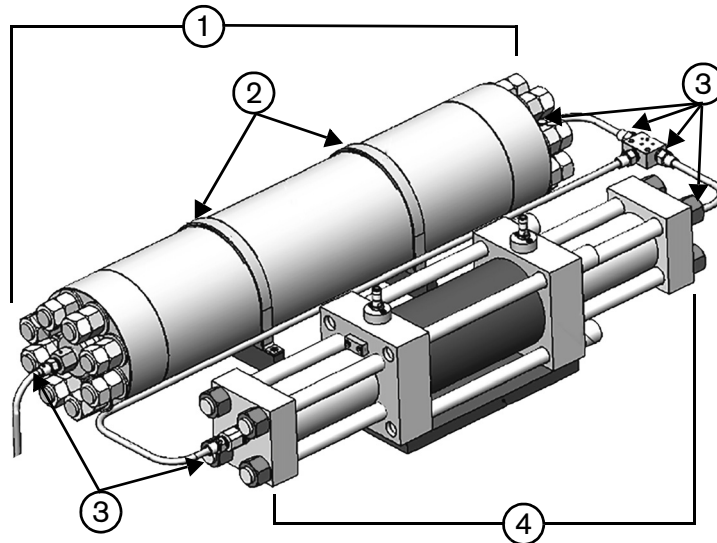
- ❑ 2 guard straps
- ❑ 4 adhesive-backed rubber pads
- ❑ 3/8-inch wrench
- ❑ Attenuator guard installation guide

Make sure that the equipment was not damaged during shipping. If the equipment is damaged, a claim must be filed with the carrier. Report shortages or damages to the OEM or to Hypertherm Waterjet within 10 days of receipt of the equipment.

### Install the guard



Disconnect and lock out or tag out the electrical main and relieve all water and hydraulic pressure from the pump before installing this equipment.



- 1 Attenuator
- 2 Attenuator straps

- 3 High-pressure water fittings and tubing
- 4 Intensifier



#### Required parts, tools, and materials

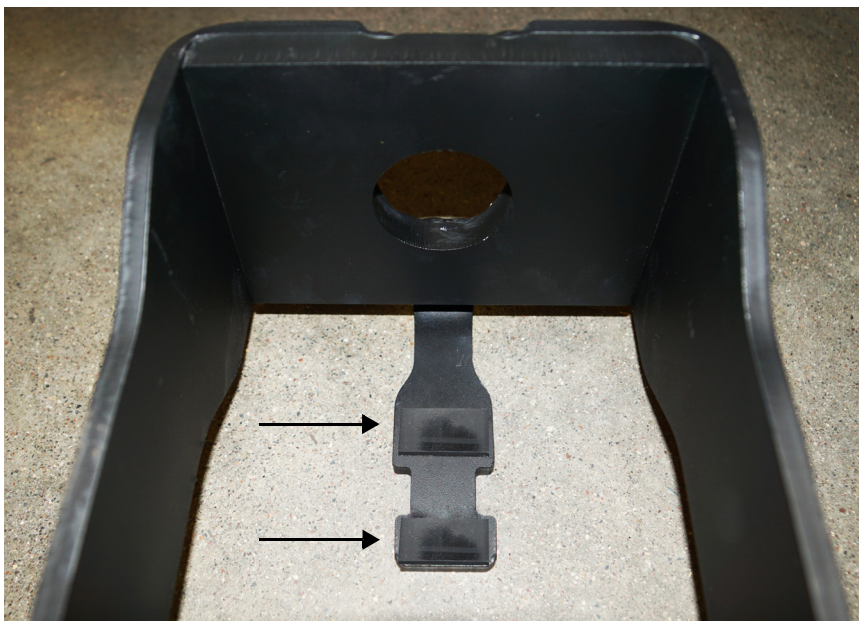
Attenuator guard strap kit (included with the guard)

High-pressure antiseize lubricant such as Blue Goop or AccuGoop

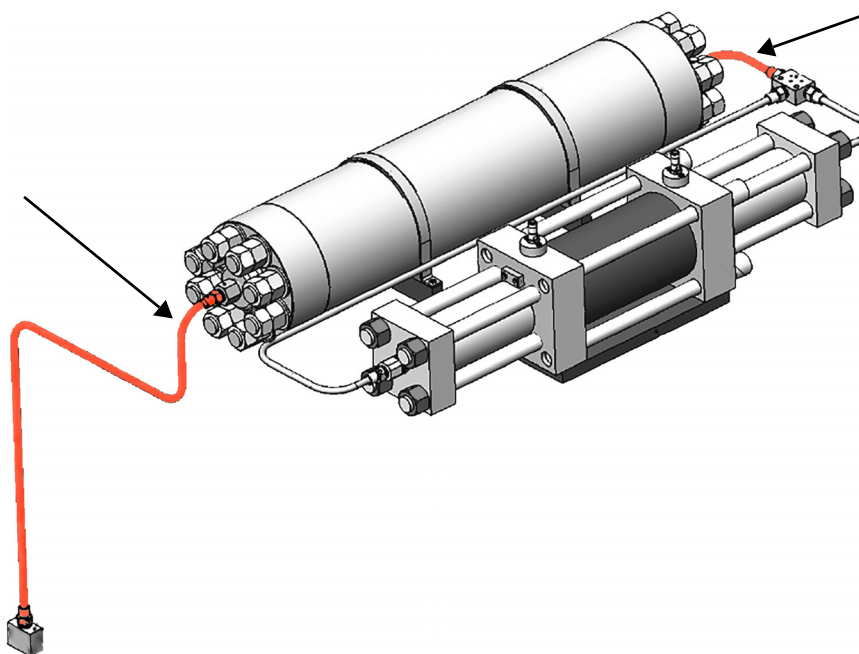
13/16-inch open-ended wrench



1. Put the adhesive-backed rubber pads on the tabs on both ends of the attenuator guard.



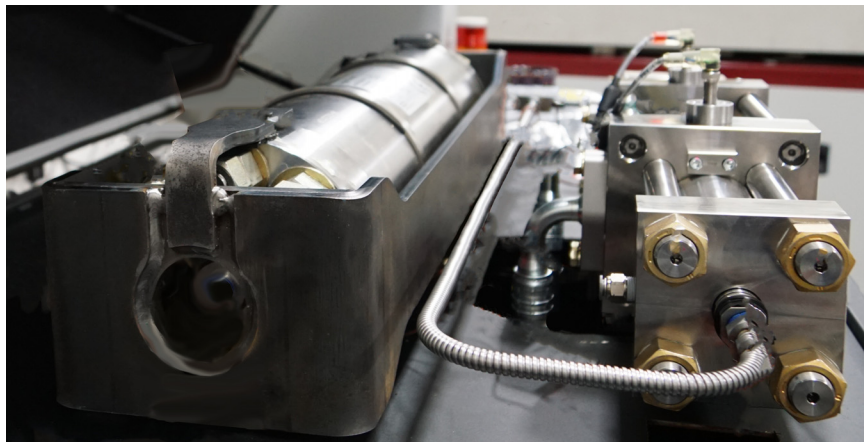
2. Disconnect the high-pressure tubing from both ends of the attenuator. The tubing and connections are indicated in red.



## Installation

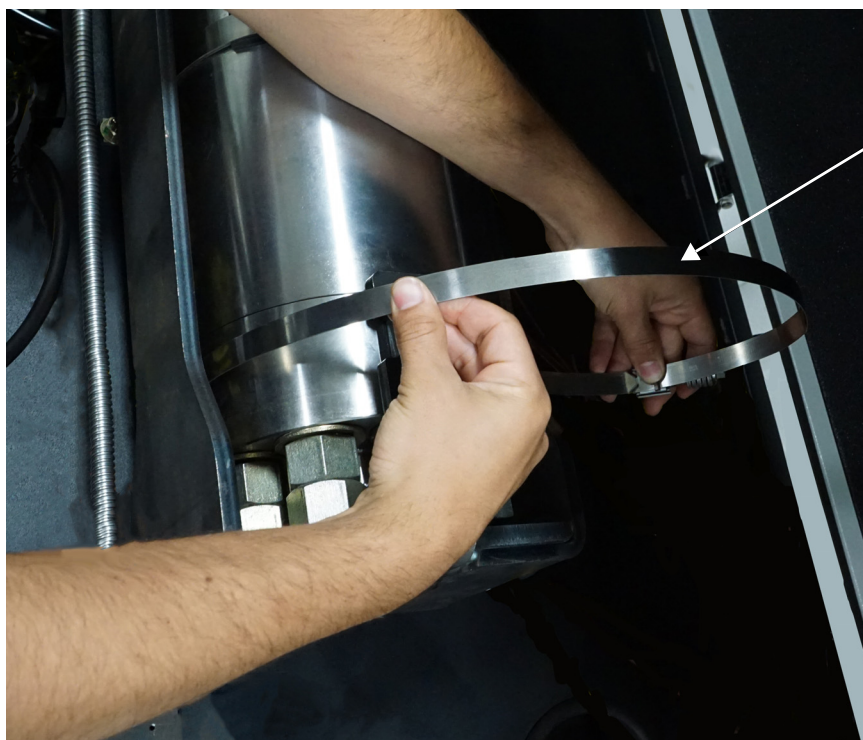
---

3. Use 2 people to put the guard over the attenuator.



### Install the guard straps

1. Push the end of the guard strap between the guard and the attenuator and up the other side between the guard and the attenuator.



Guard strap

- Put the end of the guard strap into the end of the bolt drive.



Bolt drive

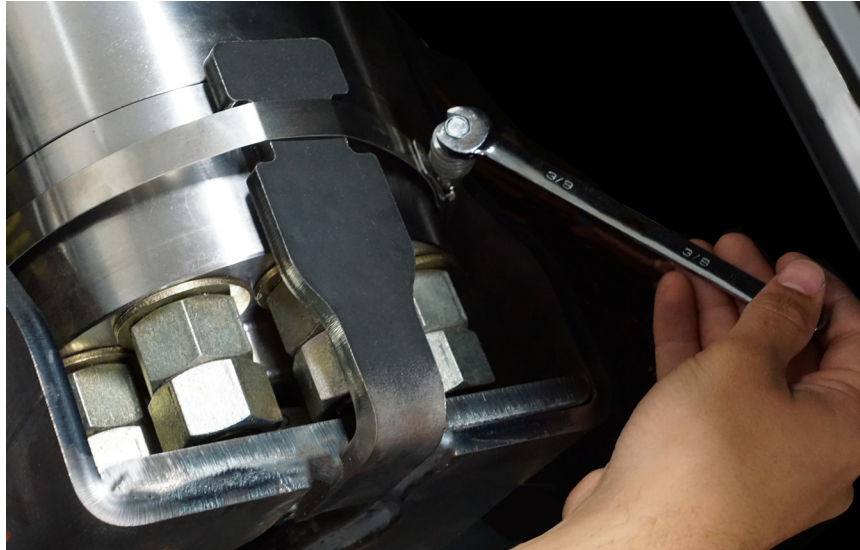
- Turn the bolt on the guard strap to tighten it.
- Put the guard strap over the tab on the attenuator guard.



## Installation

---

5. Tighten the bolt.





6. Connect the high-pressure tubing to the attenuator. Torque the connectors to 68 N·m (50 lbf·ft).



Put high-pressure antiseize lubricant on the threads of the high-pressure connectors.

7. Turn ON the pump in cooling mode. Monitor for leaks. Identify the source of a leak and repair the problem.

 <b>WARNING</b>	Use a piece of cardboard or other solid material to find leaks when the pump is operating. Do not use hands, cloth, paper, or towels.
 <b>WARNING</b>	Do not repair a leak with high-pressure water in the system. Discharge all high-pressure water before working on this equipment.

## Section 3

### Parts lists

---

Genuine Hypertherm parts are the factory-recommended replacement parts for this pump. The Hypertherm warranty might not cover damage caused by using nongenuine Hypertherm parts.

To order parts, contact the original equipment manufacturer (OEM) or Hypertherm Inc. with the part numbers and quantities.

Hypertherm Waterjet  
305 2nd Ave NW, Suite 115  
New Brighton, MN 55112 USA  
+1 866-566-7099  
+1 651-294-8620 fax

Quantity refers to the number of units included with each part number.

#### 16320 2-liter attenuator guard assembly kit

Part number	Description	Quantity
16308	Guard strap	2
16309	Adhesive-backed rubber pad	4
16322	3/8-inch wrench	1
809630	Attenuator guard installation guide for HyPrecision 60S and 75S pumps without redundant intensifiers	1

## Parts lists

---

### Other parts

#### Lubricants

Part number	Description
11111	Blue Goop high-pressure antiseize lubricant
11448	AccuGoop food-grade high-pressure antiseize lubricant

HyPrecision and Hypertherm are trademarks of Hypertherm Inc. and may be registered in the United States and other countries. All other trademarks are the property of their respective holders. © 2016 Hypertherm Inc.