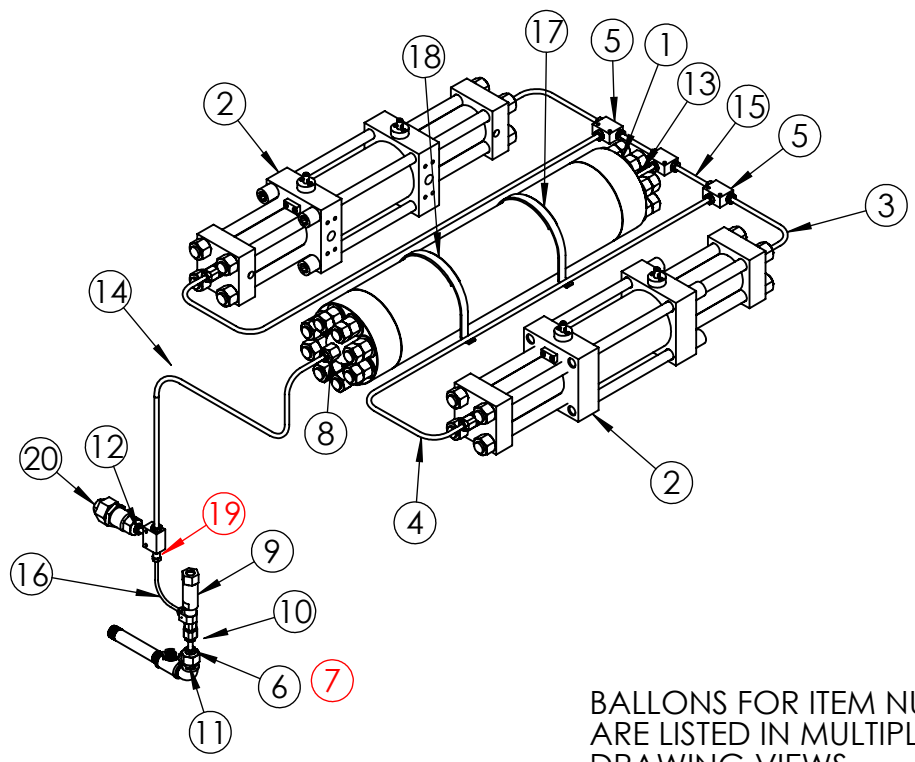
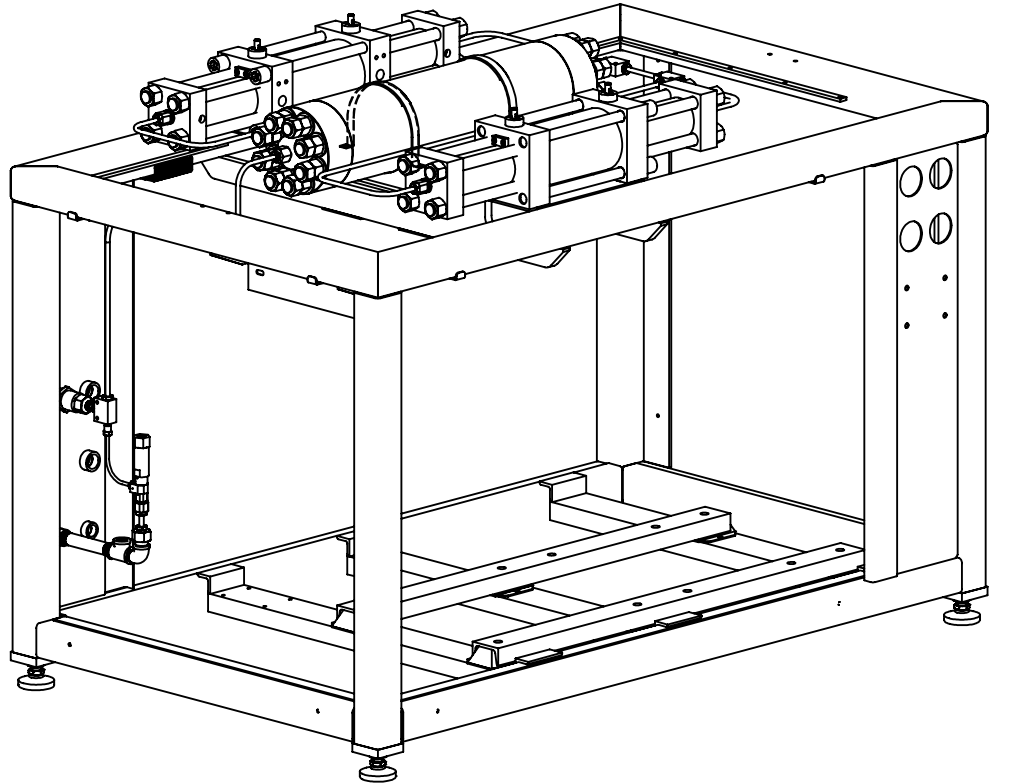
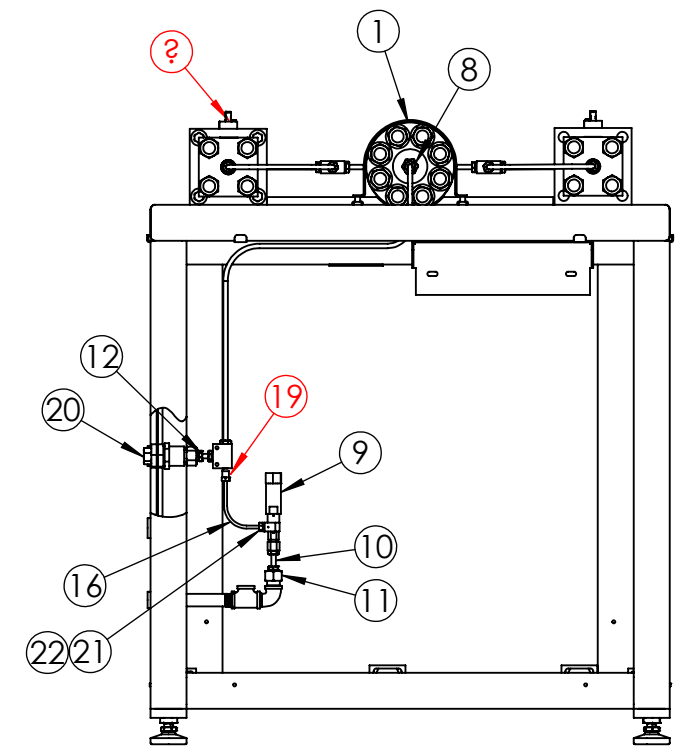
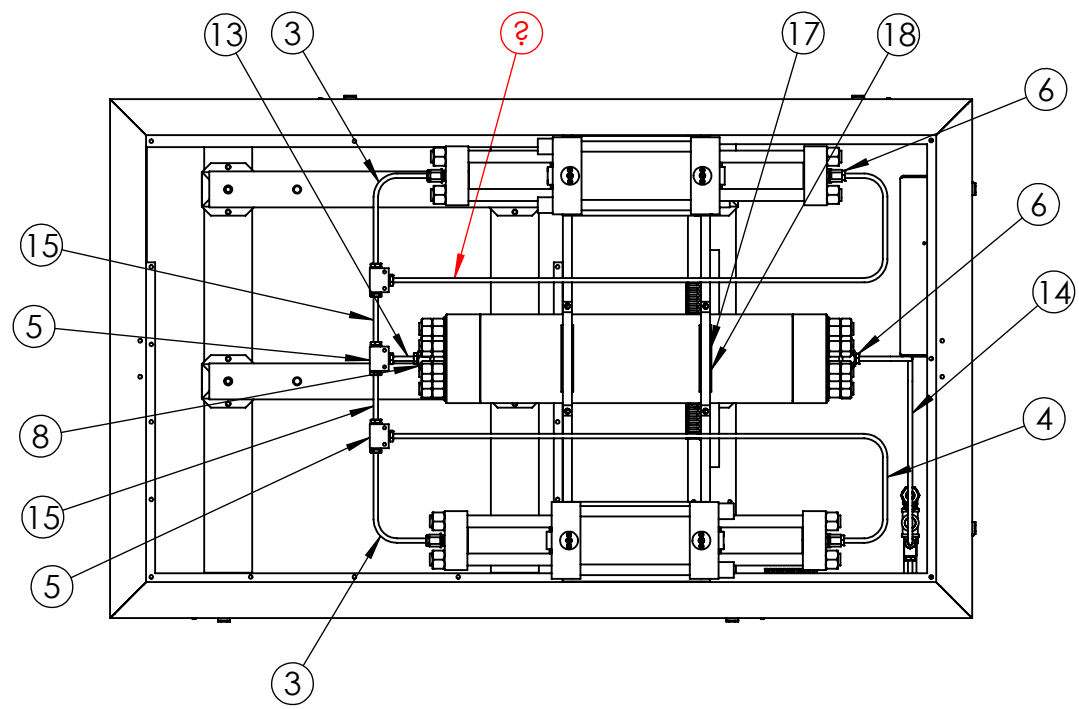



ITEM NO.	PART NUMBER	DESCRIPTION	HIGH PRESSURE WATER ASSEMBLY/QTY.
1	11595	ATTENUATOR ASSEMBLY, 2 LITER	1
2	11501	AS-SERIES INTENSIFIER ASSEMBLY	2
3	12197-2	3/8 HP TUBE, "L" INTENSIFIER OUTPUT	2
4	12197-3	3/8 HP TUBE, "U" INTENSIFIER OUTPUT	2
5	13163-60-6	3/8" HP TEE	4
6	13158-60-6	3/8" HP GLAND	8
7	13157-60-6	3/8" HP COLLAR	8
8	13162-60-6F9M	Adapter 3/8" F to 9/16" M	2
9	12941	BLEED DOWN VALVE ASSEMBLY	1
10	13168-60-6-3	3/8" NIPPLE, 3" LONG	1
11	12039	ADAPTER 3/4 NPT M X 3/8 HP F	2
12	12037	3/8 X 3 HP NIPPLE	1
13	12040	3/8 X 3.45 "NIPPLE"	1
14	13117	3/8 HP TUBE, 100HP ATTENUATOR OUTPUT	1
15	13191	3/8HP NIPPLE X 5.81 IN LONG	2
16	12036	TUBE, 1/4" BDV	1
17	11746	ATTENUATOR STRAPS	2
18	12017	ATTENUATOR STRAP PAD	4
19	13162-60-4F6M	1/4" FEMALE TO 3/8" MALE ADAPTER	1
20	13162-60-9-B	9/16 HP BULKHEAD FITTING	1
21	13158-60-4	1/4" HP GLAND	2
22	13157-60-4	1/4" HP COLLAR	2
32	12377	DESC	6

REVISIONS			
REV.	DESCRIPTION	DATE	APPROVED
A	RELEASED IN SOLID WORKS	1/9/2009	T.J.W.

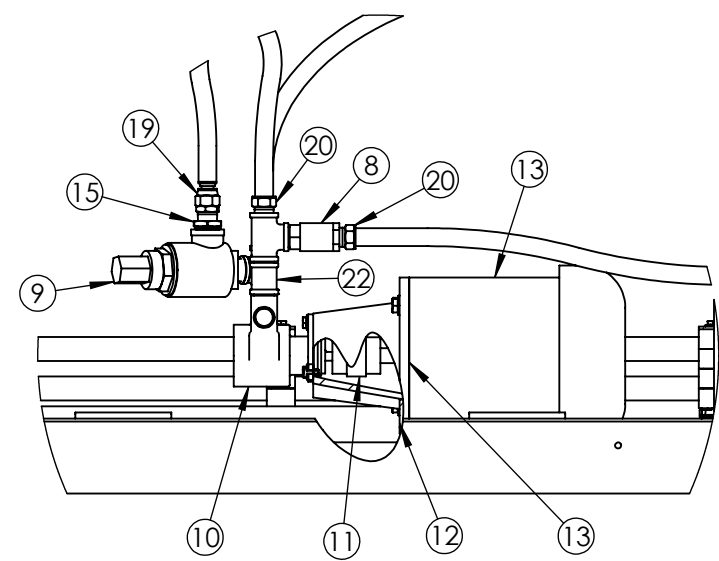


BALLONS FOR ITEM NUMBERS ARE LISTED IN MULTIPLE DRAWING VIEWS.

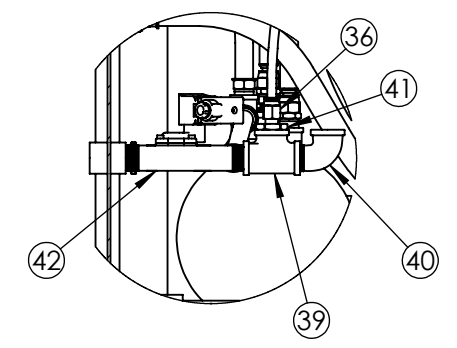
HIGHLY CONFIDENTIAL PROPRIETARY INFORMATION <small>ALL DATA AND INFORMATION ON THIS DOCUMENT IS FOR THE SOLE USE OF ACCUSTREAM AND ITS LICENSEES AND MAY NOT BE USED WITHOUT PERMISSION</small>	 Cut with confidence®			ACCUSTREAM, INC. 309 5TH AVENUE NW PHONE: 651-294-8600 NEW BRIGHTON, MN 55112 FAX: 651-294-8620 EMAIL: INFO@ACCUSTREAM.COM WEB: WWW.ACCUSTREAM.COM		TITLE:																				
	BREAK AND DEBURR ALL EDGES .015 MAX	-TOLERANCES- UNLESS OTHERWISE SPECIFIED DIMENSIONS IN INCHES ANGULAR: MACH ± 1 BEND ± 1 ONE PLACE DECIMAL ± .05 TWO PLACE DECIMAL ± .015 THREE PLACE DECIMAL ± .005	<table border="1"> <tr> <th></th> <th>NAME</th> <th>DATE</th> <th>MATERIAL</th> </tr> <tr> <td>DRAWN</td> <td>T.J.W.</td> <td>1/28/09</td> <td>SEE PARTS LIST</td> </tr> <tr> <td>CHECKED</td> <td>-</td> <td>-</td> <td>HARDNESS</td> </tr> <tr> <td>ENG APPR.</td> <td>-</td> <td>-</td> <td>WEIGHT</td> </tr> </table>		NAME	DATE	MATERIAL	DRAWN	T.J.W.	1/28/09	SEE PARTS LIST	CHECKED	-	-	HARDNESS	ENG APPR.	-	-	WEIGHT	<table border="1"> <tr> <td>SHEET 1 OF 1</td> <td>SCALE: 1:16</td> <td>FINISH</td> </tr> </table>	SHEET 1 OF 1	SCALE: 1:16	FINISH	<table border="1"> <tr> <td>SIZE B</td> <td>DWG. NO. 13020</td> <td>REV A</td> </tr> </table>	SIZE B	DWG. NO. 13020
	NAME	DATE	MATERIAL																							
DRAWN	T.J.W.	1/28/09	SEE PARTS LIST																							
CHECKED	-	-	HARDNESS																							
ENG APPR.	-	-	WEIGHT																							
SHEET 1 OF 1	SCALE: 1:16	FINISH																								
SIZE B	DWG. NO. 13020	REV A																								

ITEM NO.	PART NUMBER	DESCRIPTION	ASSEMBLY QTY.
1	11835	ACCUMULATOR, WATER	1
2	11829	WATER FILTER HOUSING	3
3	11107	WATER FILTER, 10 MICRON, 10IN	1
4	11106	WATER FILTER, 1 MICRON, 10IN	1
5	11105	WATER FILTER, 0.45 MICRON, 10IN	1
6	12614	1/2 NPT 2-WAY 24VDC BRASS VALVE	2
7	11836	WATER MODULATING VALVE AND WELL	1
8	12060	1/2IN NPT CHECK VALVE	1
9	12061	1/2IN NPT RELIEF VALVE	1
10	12297	BOOST PUMP 240GPH	1
11	12058	BOOST PUMP COUPLING	1
12	12059	BOOST PUMP ADDAPTER	1
13	12928	MOTOR, 3/4 HP 1800 RPM, C-FACE WITH FEET	1
14	11832	0-160 PSE STINLESS STEEL PRESSURE GAGE	2
15	34X12RBB	PIPE FITTING, 3/4 X 1/2 NPT BUSHING	2
16	12RBSL	PIPE FITTING, 1/2 NPT STREET ELBOW	5
17	12XCRBN	PIPE FITTING, 1/2 NPT CLOSE NIPPLE, BRASS	12
18	12650	PIPE FITTING, 1/2 NPT X 1/2 45 FLARE, BRASS	5
19	12652	HOSE FIT, 1/2 JIC X 1/2 HOSEBARB, BRASS	9
20	12653	HOSE FIT, 1/2 NPT X 1/2 HOSE BARB, BRASS	10
21	12RBT	PIPE FITTING; 1/2 NPT TEE	6
22	12RBC	PIPE FITTING, 1/2 NPT COUPLING, BRASS	1
23	1X12RBB	PIPE FITTING, 1 IN X 1/2 NPT BUSHING, BRASS	1
24	12X14RBB	PIPE FITTING, 1/2 X 1/4 NPT BUSHING, BRASS	4
25	12X112RBN	1/2 NPT X 1-1/2 BRASS NIPPLE	2
26	12X2RBN	1/2 X 2 NPT NIPPLE, BRASS	3
27	12RBX	PIPE FITTING, 1/2 NPT CROSS, BRASS	1
28	11767	PRESSURE SWITCH, INLET WATER	1
29	11845	TUBE FITTING; 1/4 NPT X 1/4 TUBE, STRAIGHT, PUSH T	2
30	12053	TUBE FITTING; 1/4 NPT FEMALE X 1/4 TUBE, ELBO, PU	2
31	11840	1/4 OD TUBE, BLACK POLY	14
32	34X12RBR	PIPE FITTING, 3/4 X 1/2 REDUCING COUPLING, BRASS	1
33	12651	PIPE FITTING, 3/8 NPT X 1/2 45 FLARE	4
34	11841	1/2 250PSI WATER HOSE	20
35	11842	TUBE FITTING; 1/4 NPT X 3/8 TUBE, ELBOW, PUSH TO C	1
36	12529	TUBE FITTING; 1/4 NPT X 3/8 TUBE, STRAIGHT, PUSH T	1
37	11839	3/8 OD TUBE, BLACK POLY	3
38	12404	1/2 NPT MALE X 1/2 NPT F BALL VALVE	2
39	34RBT	PIPE FITTING, 3/4 NPT TEE, BRASS	1
40	34RBSL	PIPE FITTING, 3/4 NPT STREET ELBOW, BRASS	1
41	34X14RBB	PIPE FITTING, 3/4 X 1/4 NPT BUSHING, BRASS	1
42	34X512RBN	PIPE FITTING, 3/4 NPT X 5.5 NIPPLE, BRASS	1
43	12RBU	PIPE FITTING, 1/2 NPT PIPE UNION, BRASS	1
44	12068	BALL VALVE, BRASS, 1/2 NPT FEMALE/FEMALE	1
45	34RBL	PIPE FITTING, 3/4 NPT ELBOW, BRASS	2
46	13202	3/4 250 PSI WATER HOSE	24
47	13127	HOSE BARB 3/4JIC X 3/4" HOSE BARB	2
48	13128	HOSE BARB 1/2"NPT X 3/4" HOSE BARB	2
49	34X2RBN	3/4 NPT X 2 IN BRASS NIPPLE	2
50	13206	C - RAIL NUT, 1/4"	12
51	13207	C-RAIL, HOSE CLAMPS 4.25 IN	2
52	13208	C-RAIL, HOSE CLAMPS 2.375 IN	2

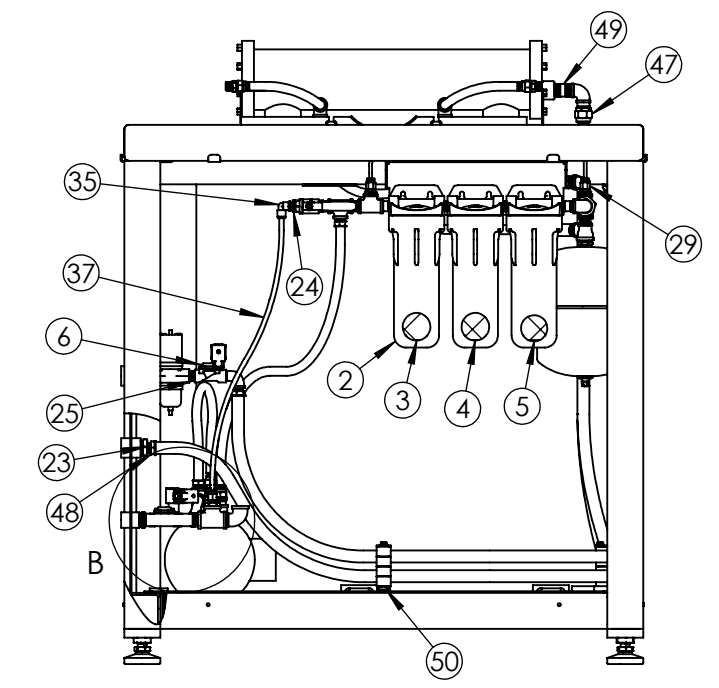
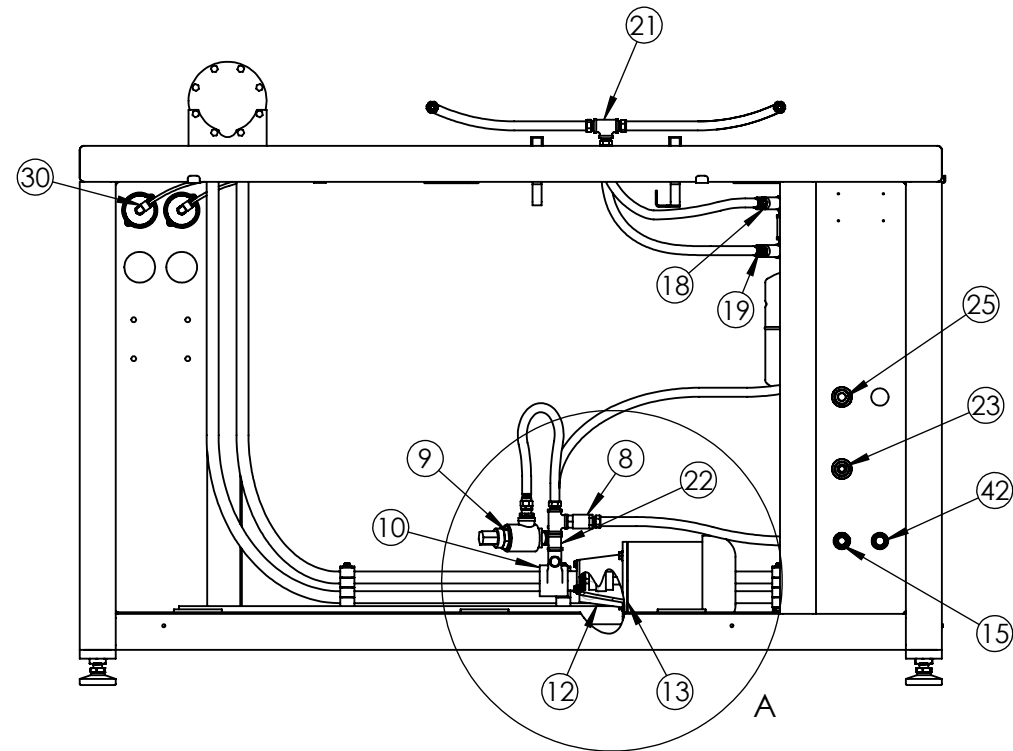
REVISIONS			
REV.	DESCRIPTION	DATE	APPROVED
A	RELEASED IN SOLID WORKS	1/8/2009	T.J.W.



DETAIL A
SCALE 1 : 8

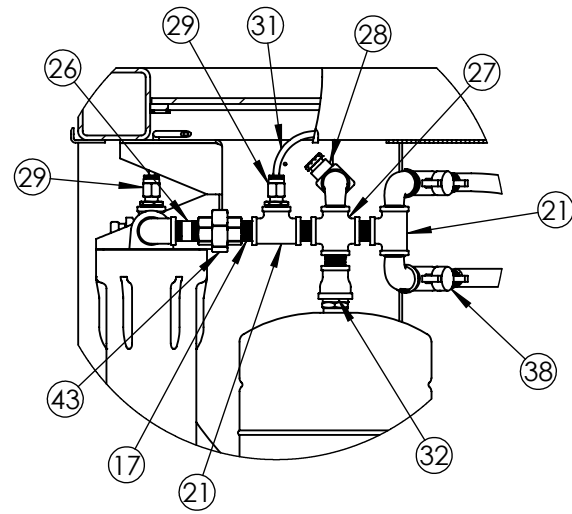


DETAIL B
SCALE 1 : 8

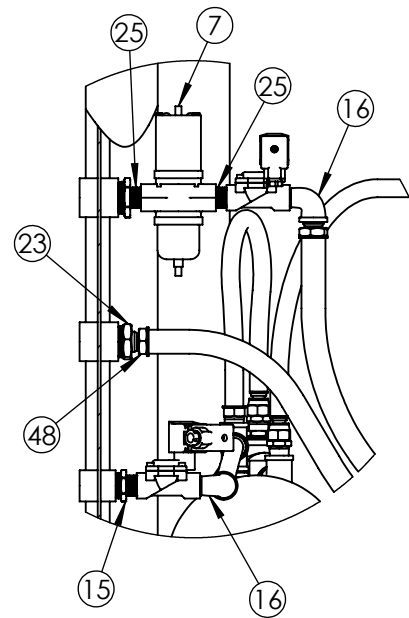
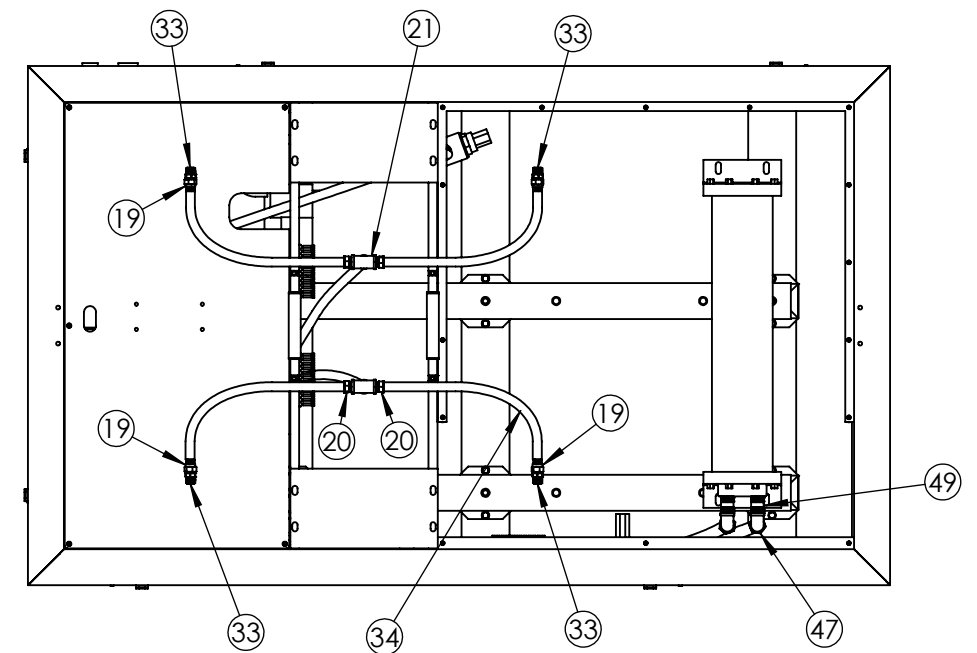
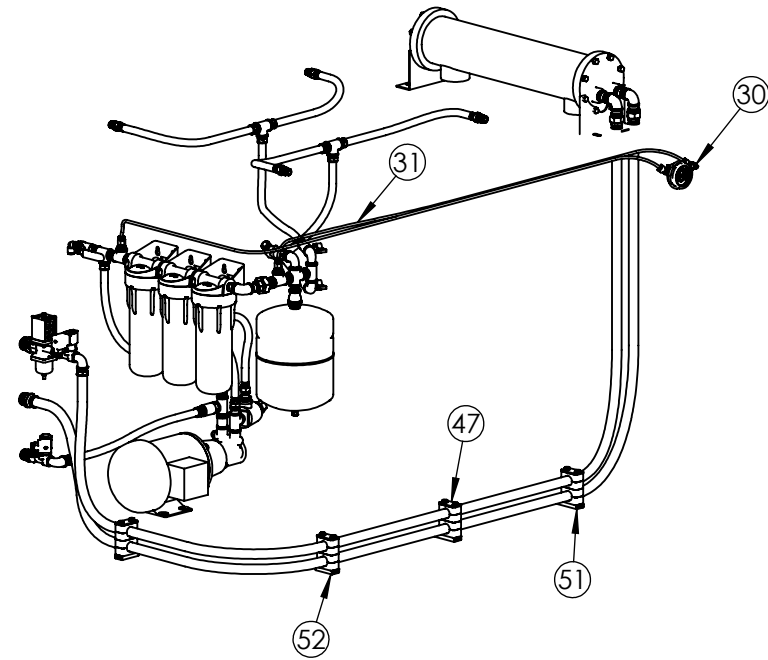


BALLOON ITEM NO. CALLED OUT IN MULTIPLE VIEWS.

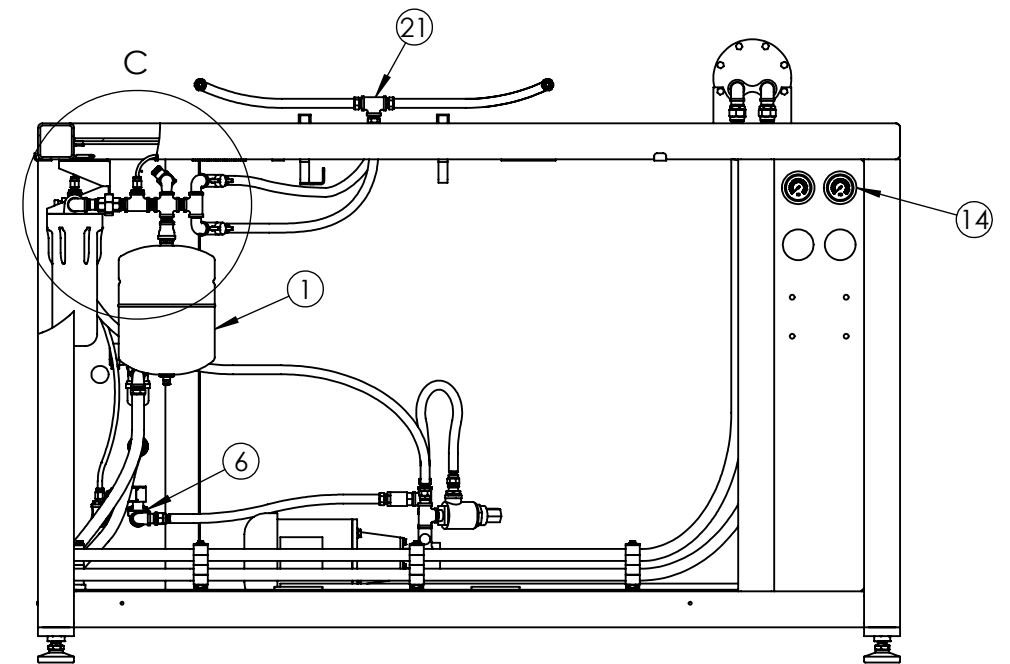
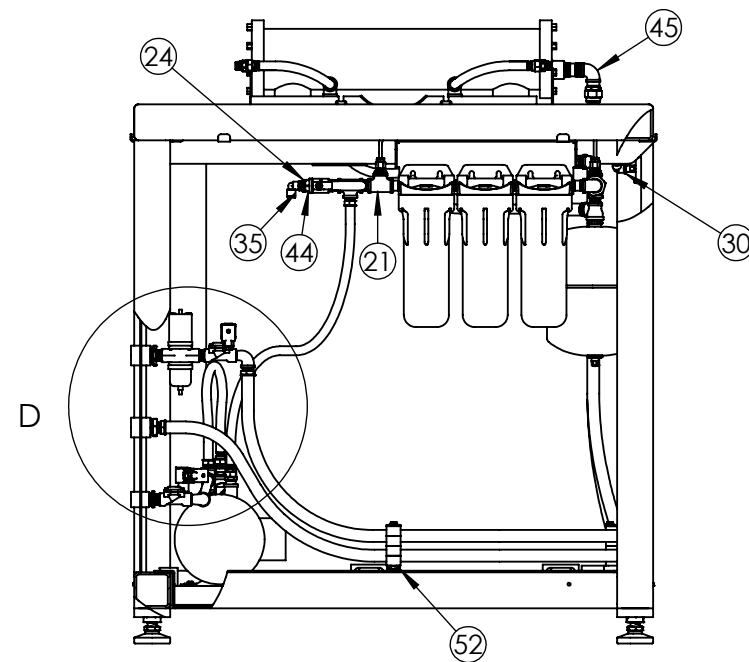
HIGHLY CONFIDENTIAL PROPRIETARY INFORMATION	ACCUSTREAM, INC. 309 5TH AVENUE NW PHONE: 651-294-8600 NEW BRIGHTON, MN 55112 FAX: 651-294-8620 EMAIL: INFO@ACCUSTREAM.COM WEB: WWW.ACCUSTREAM.COM			TITLE:				
	ALL DATA AND INFORMATION ON THIS DOCUMENT IS FOR THE SOLE USE OF ACCUSTREAM AND ITS LICENSEES AND MAY NOT BE USED WITHOUT PERMISSION BREAK AND DEBURR ALL EDGES .015 MAX	-TOLERANCES- UNLESS OTHERWISE SPECIFIED DIMENSIONS IN INCHES ANGULAR: MACH ± 1 BEND ± 1 ONE PLACE DECIMAL ± .05 TWO PLACE DECIMAL ± .015 THREE PLACE DECIMAL ± .005	NAME	DATE	MATERIAL	SHEET 1 OF 2	SCALE: 1:16	FINISH
			DRAWN	T.J.W.	1/21/2009			
		CHECKED	-	-	HARDNESS	SIZE B	DWG. NO. 13021	REV A
		ENG APPR.	-	-	WEIGHT			



DETAIL C
SCALE 1 : 8



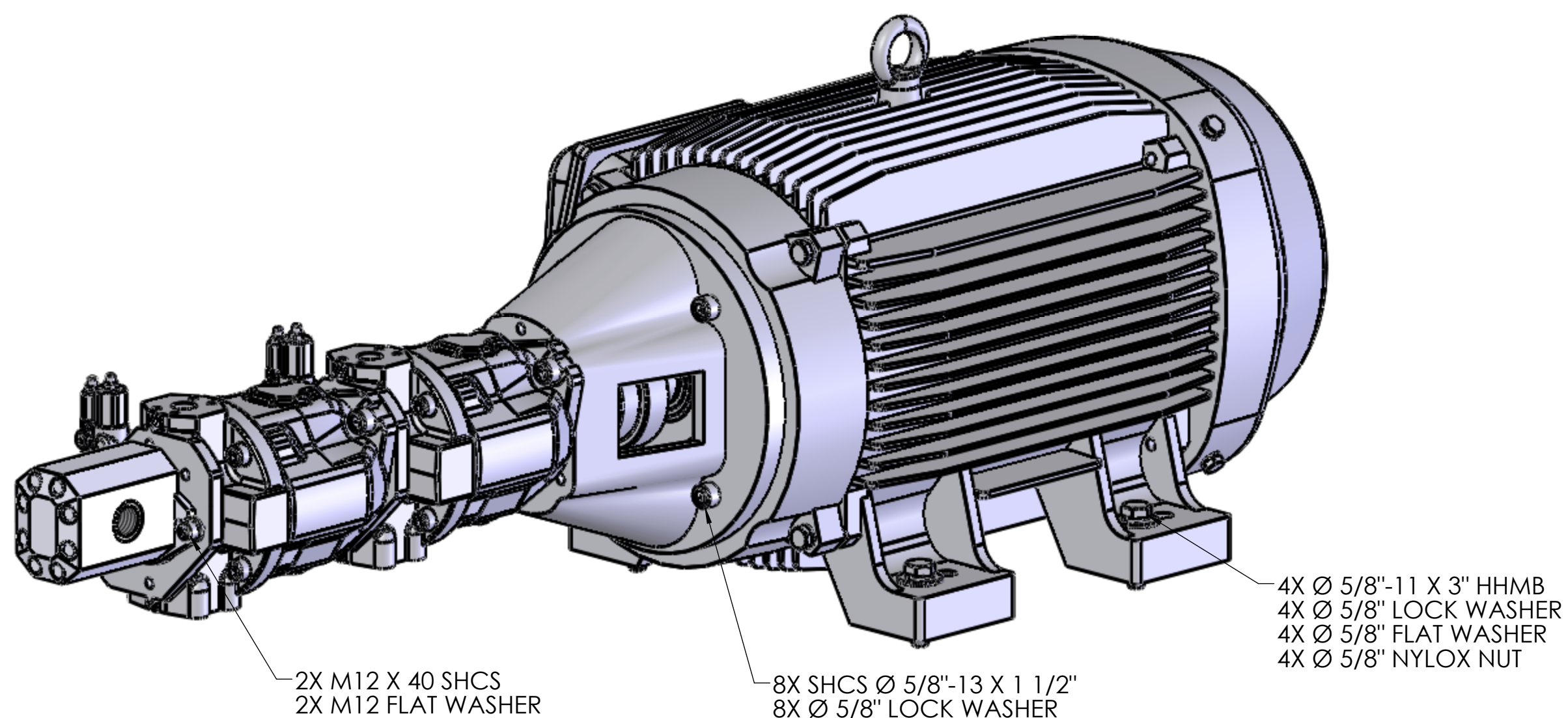
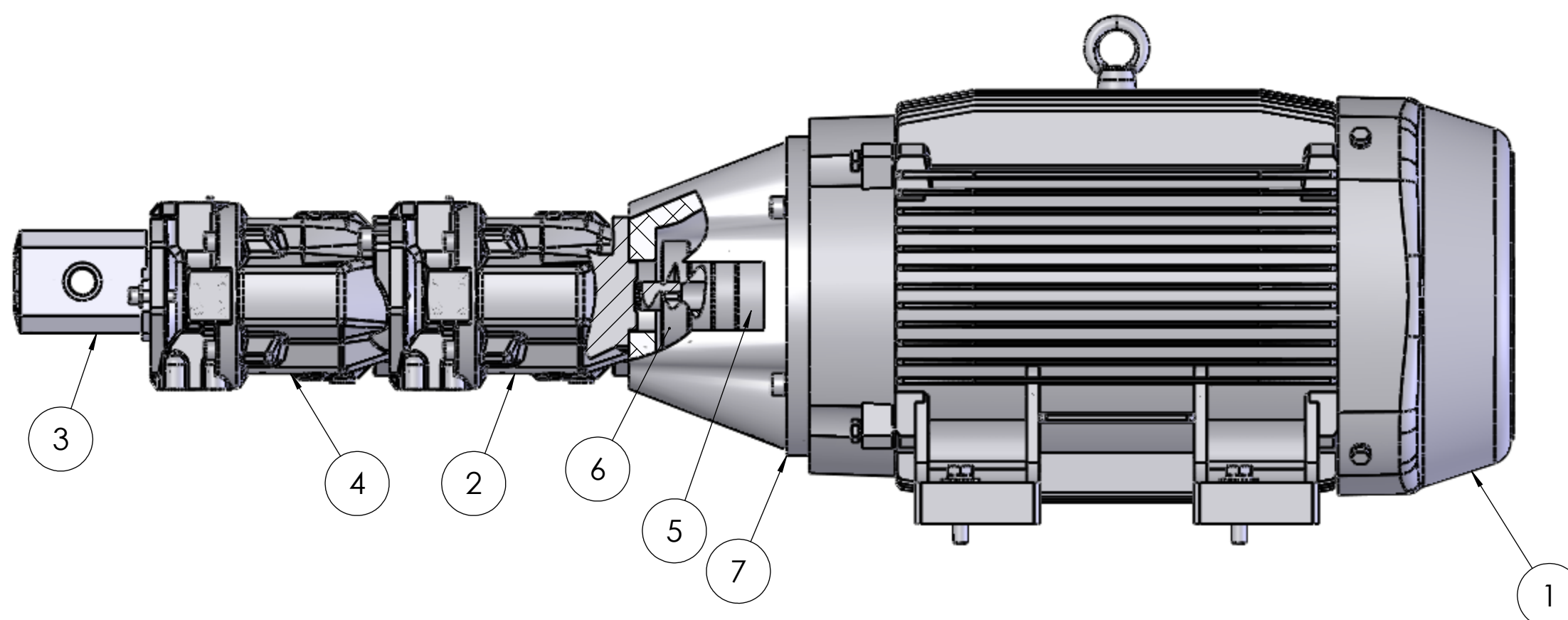
DETAIL D
SCALE 1 : 8



HIGHLY CONFIDENTIAL PROPRIETARY INFORMATION	ACCUSTREAM, INC. 309 5TH AVENUE NW PHONE: 651-294-8600 NEW BRIGHTON, MN 55112 FAX: 651-294-8620 EMAIL: INFO@ACCUSTREAM.COM WEB: WWW.ACCUSTREAM.COM			TITLE: LOW PRESSURE WATER ASSEMBLY			
	ALL DATA AND INFORMATION ON THIS DOCUMENT IS FOR THE SOLE USE OF ACCUSTREAM AND ITS LICENSEES AND MAY NOT BE USED WITHOUT PERMISSION BREAK AND DEBURR ALL EDGES .015 MAX	-TOLERANCES- UNLESS OTHERWISE SPECIFIED DIMENSIONS IN INCHES ANGULAR: MACH ± 1 BEND ± 1 ONE PLACE DECIMAL ± .05 TWO PLACE DECIMAL ± .015 THREE PLACE DECIMAL ± .005	NAME T.J.W.	DATE 1/21/2009	MATERIAL SEE PARTS LIST	SHEET 2 OF 2	FINISH
			CHECKED -	DATE -	HARDNESS	SCALE: 1:16	SIZE B

PARTS LIST

ITEM NO.	QTY.	PART NUMBER	DESCRIPTION
1	1	12971	MOTOR, 100HP 208-230/460 60HZ 380 50HZ
2	1	13233	PISTON PUMP, 71CC WITH SAE-C THRU DRIVE
3	1	11783	GEAR PUMP
4	1	11983	PISTON PUMP, 71CC WITH SAE-B THRU DRIVE
5	1	12051	SHAFT COUPLING, MOTOR HALF, AS 6050
6	1	12052	SHAFT COUPLING, PUMP HALF, AS-6050
7	1	13232	MOTOR PUMP MOUNT, AS-60100



DWG. NO.
12969

SHEET
1 OF 1
REV
A

309 5TH AVENUE NW PHONE: 651-294-8600
NEW BRIGHTON, MN 55112 FAX: 651-294-8620
EMAIL: INFO@ACCUSTREAM.COM
WEB: WWW.ACCUSTREAM.COM

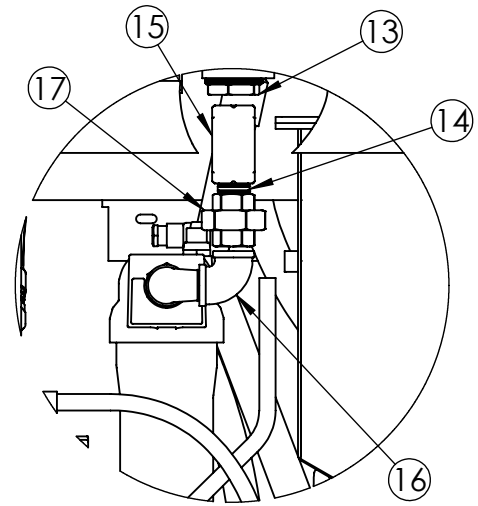
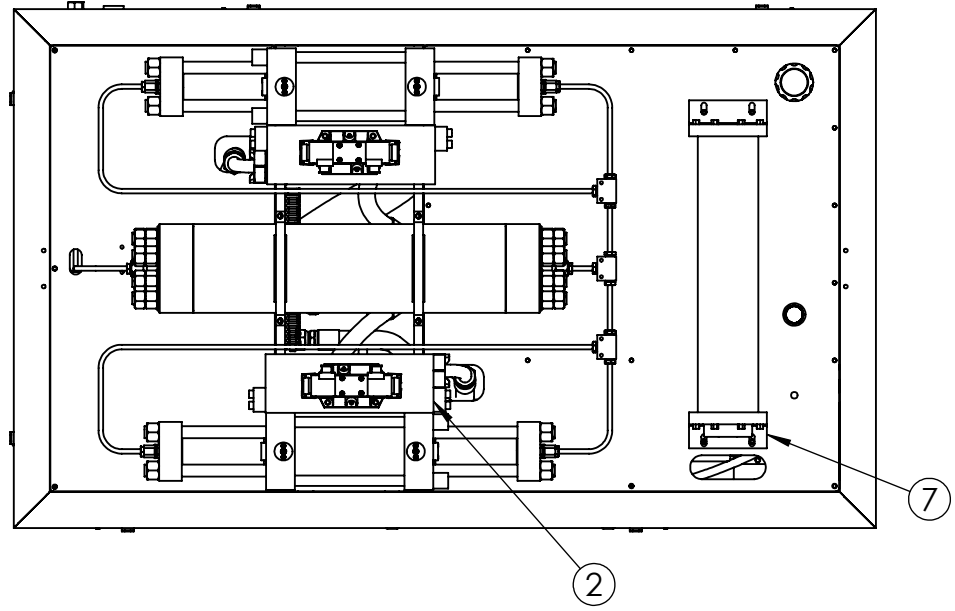
**HIGHLY CONFIDENTIAL
PROPRIETARY INFORMATION**

TITLE:
AS-60100 MOTOR/PUMP ASSY

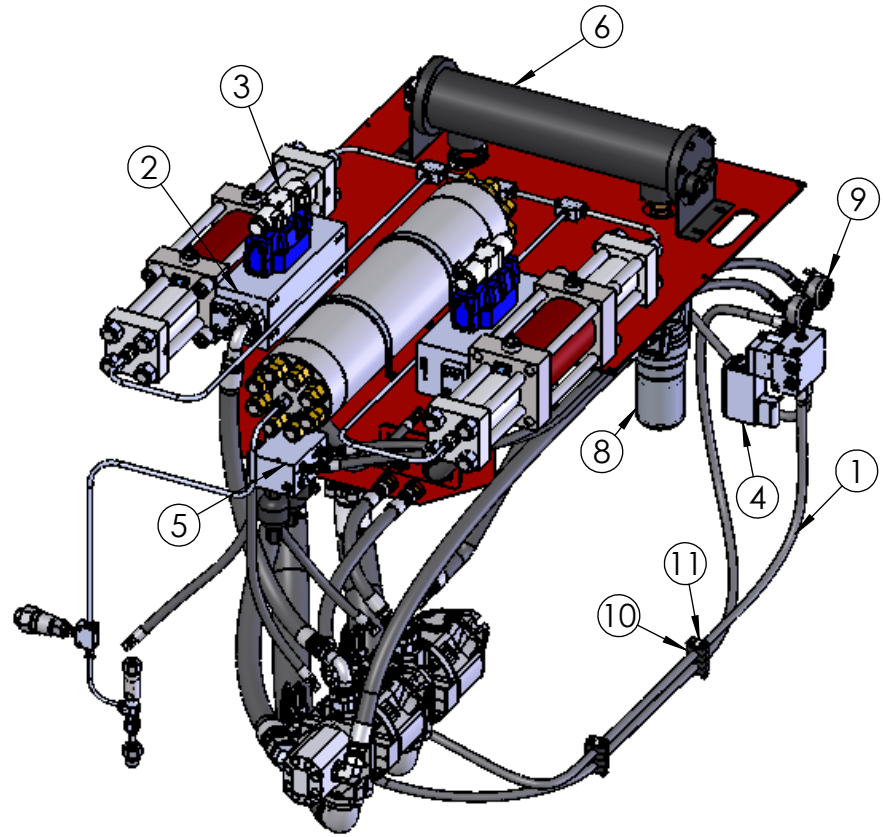
ALL DATA AND INFORMATION ON THIS DOCUMENT IS FOR THE SOLE USE OF ACCUSTREAM AND ITS LICENSEES AND MAY NOT BE USED WITHOUT PERMISSION

ITEM NO.	PART NUMBER	DESCRIPTION	Default/QTY.
1	13023	AS-60100 HYD HOSE AND FITTINGS LIST	1
2	11626	INTENSIFIER MANIFOLD ASSEMBLY	2
3	11733	24VDC SHIFT VALVE & PILOT	2
4	12876	100/150HP CONTROL MANIFOLD	1
5	12878	100/150HP GAGE AND BDV MANIFOLD	1
6	12407	HEAT EXCHANGER, 100HP	1
7	13054	HEAT EXCHANGER BRACKET	2
8	11638	50-125HYDRAULIC FILTER	1
9	11956	5000 PSI PRESSURE GAUGE, CENTER BACK CONN	2
10	12831	CLAMP PAIR, FOR -6 HYD HOSE	4
11	12830	CLAMP TOP PLATE, FOR -6 HYD HOSE	2
12	2X112RBB	2 IN X 1-1/2 IN BRASS PIPE BUSHING	1
13	2X1RBB	2 IN X 1 IN BRASS PIPE BUSHING	1
14	1XCRBN	PIPE FITTING, 1 NPT CLOSE NIPPLE, BRASS	4
15	11877	PIPE FITTING; BRASS, 1 NPT CHECK VALVE	1
16	1RBL	PIPE FITTING, 1 IN NPT ELBOW, BRASS	1
17	1RBU	PIPE FITTING, 1 NPT PIPE UNION, BRASS	1
18	1RBSL	1 IN NPT ROUGH BRASS STREET ELBOW	1
19	12719	HYDRAULIC FILTER ELEMENT FOR 40CN2 CORELESS	0

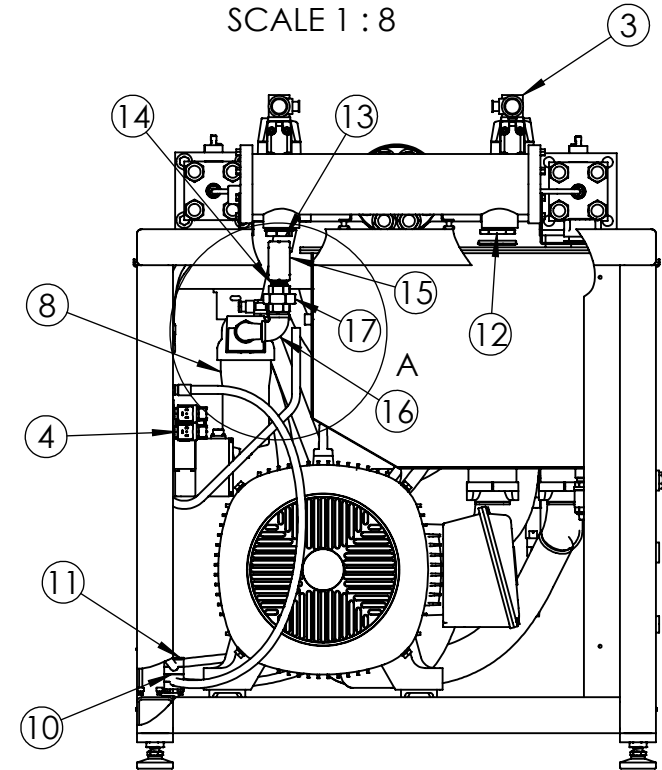
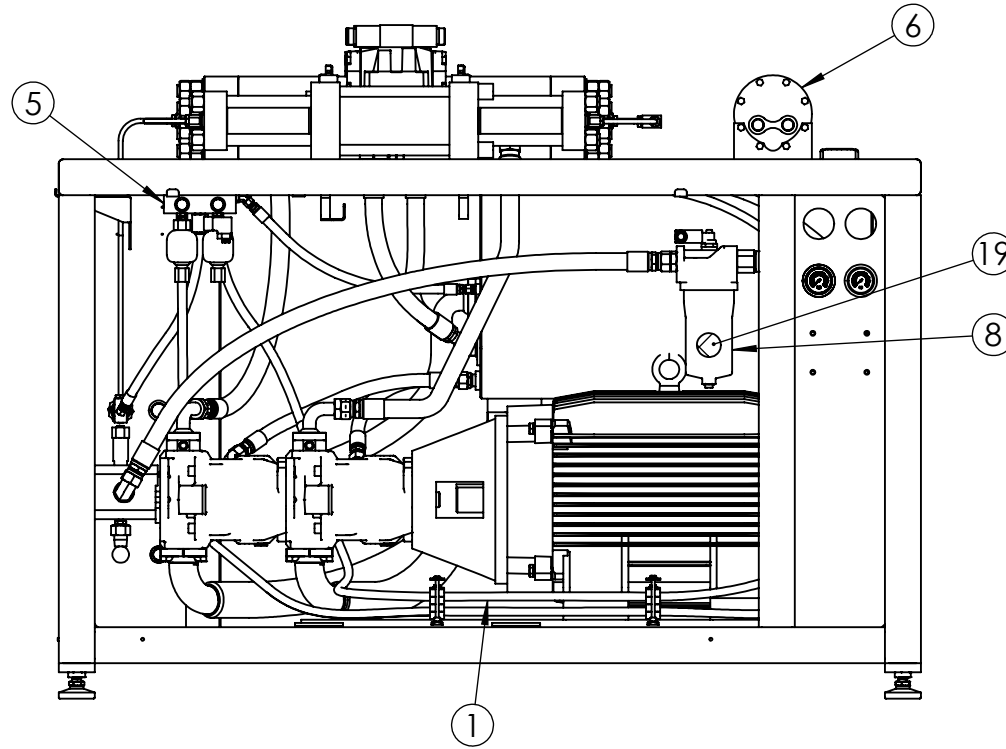
REVISIONS			
REV.	DESCRIPTION	DATE	APPROVED
A	RELEASED IN SOLID WORKS	1/21/2009	T.J.W.



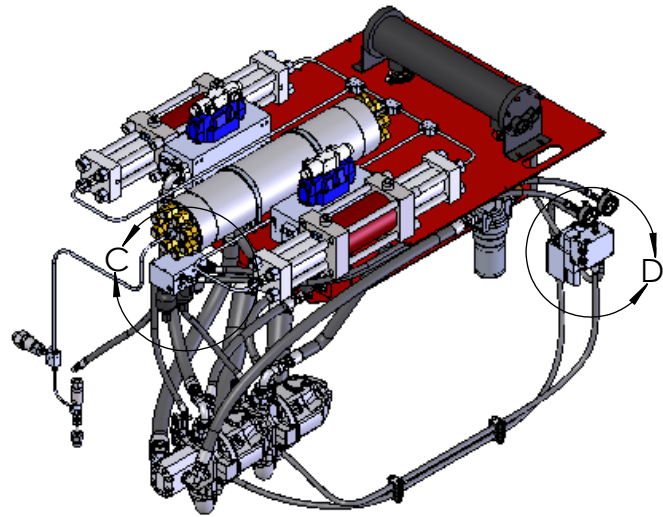
DETAIL A
SCALE 1:8



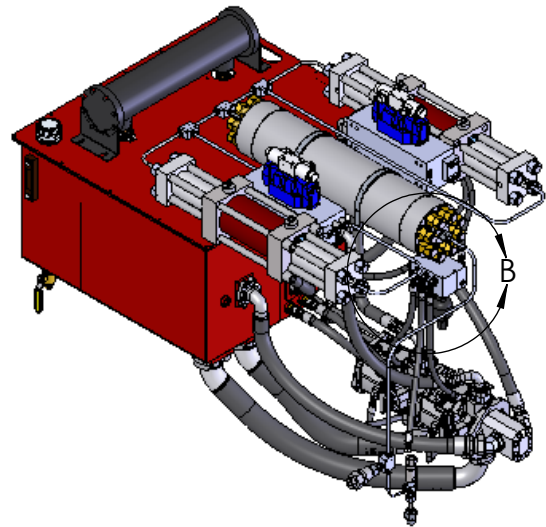
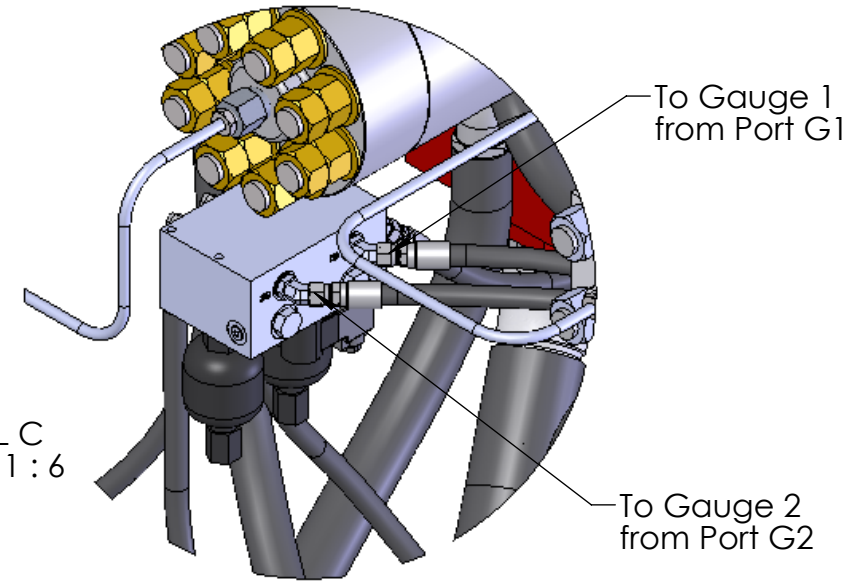
BALLOON ITEM NO. CALLED OUT IN MULTIPLE VIEWS.



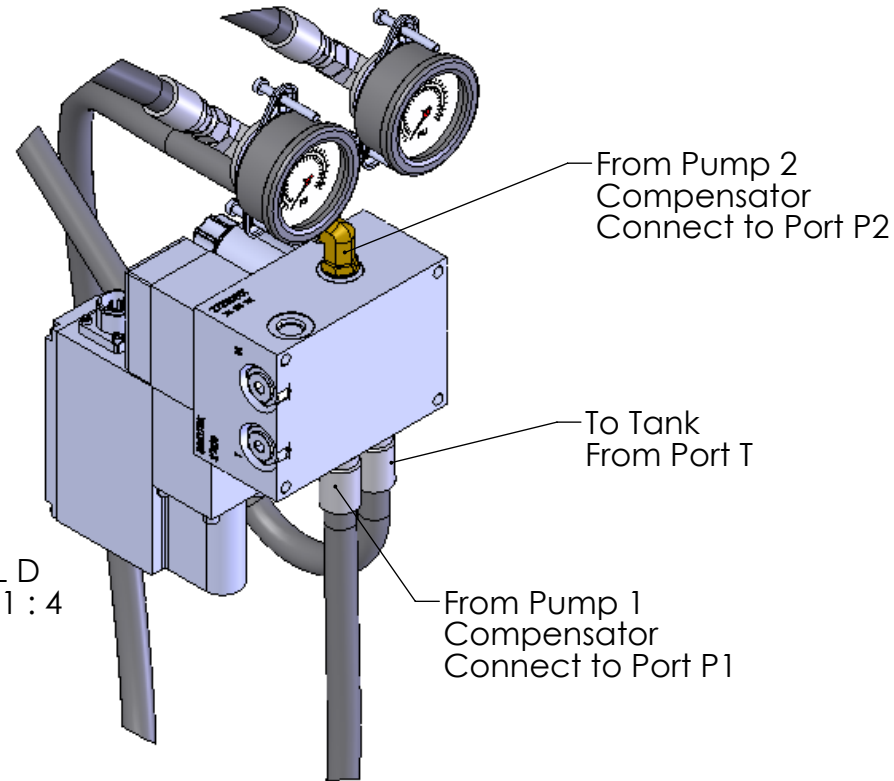
HIGHLY CONFIDENTIAL PROPRIETARY INFORMATION	ACCUSTREAM, INC. 309 5TH AVENUE NW PHONE: 651-294-8600 NEW BRIGHTON, MN 55112 FAX: 651-294-8620 EMAIL: INFO@ACCUSTREAM.COM WEB: WWW.ACCUSTREAM.COM			TITLE: AS-60100 HYDRAULIC ASSEMBLY																																			
	ALL DATA AND INFORMATION ON THIS DOCUMENT IS FOR THE SOLE USE OF ACCUSTREAM AND ITS LICENSEES AND MAY NOT BE USED WITHOUT PERMISSION	-TOLERANCES- UNLESS OTHERWISE SPECIFIED DIMENSIONS IN INCHES ANGULAR: MACH ± 1 BEND ± 1 ONE PLACE DECIMAL ± .05 TWO PLACE DECIMAL ± .015 THREE PLACE DECIMAL ± .005	<table border="1"> <tr><td>NAME</td><td>T.J.W.</td><td>DATE</td><td>1/21/2009</td><td>MATERIAL</td><td>SEE PARTS LIST</td></tr> <tr><td>DRAWN</td><td></td><td></td><td></td><td></td><td></td></tr> <tr><td>CHECKED</td><td>-</td><td>-</td><td>-</td><td>HARDNESS</td><td></td></tr> <tr><td>ENG APPR.</td><td>-</td><td>-</td><td>-</td><td>WEIGHT</td><td></td></tr> </table>	NAME	T.J.W.	DATE	1/21/2009	MATERIAL	SEE PARTS LIST	DRAWN						CHECKED	-	-	-	HARDNESS		ENG APPR.	-	-	-	WEIGHT		<table border="1"> <tr><td>SHEET</td><td>1 OF 2</td><td>SCALE:</td><td>1:16</td><td>FINISH</td><td></td></tr> <tr><td>SIZE</td><td>B</td><td>DWG. NO.</td><td>13022</td><td>REV</td><td>A</td></tr> </table>	SHEET	1 OF 2	SCALE:	1:16	FINISH		SIZE	B	DWG. NO.	13022	REV
NAME	T.J.W.	DATE	1/21/2009	MATERIAL	SEE PARTS LIST																																		
DRAWN																																							
CHECKED	-	-	-	HARDNESS																																			
ENG APPR.	-	-	-	WEIGHT																																			
SHEET	1 OF 2	SCALE:	1:16	FINISH																																			
SIZE	B	DWG. NO.	13022	REV	A																																		
BREAK AND DEBURR ALL EDGES .015 MAX																																							



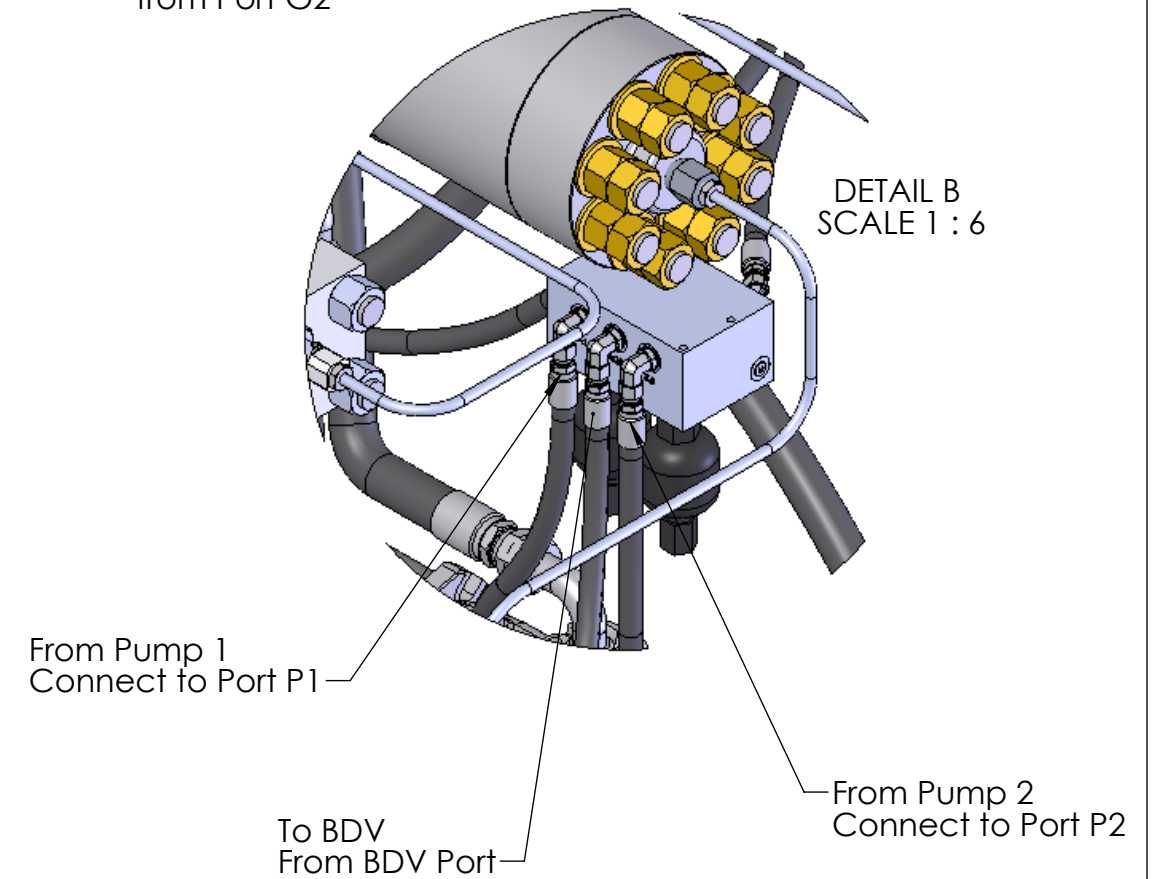
DETAIL C
SCALE 1 : 6



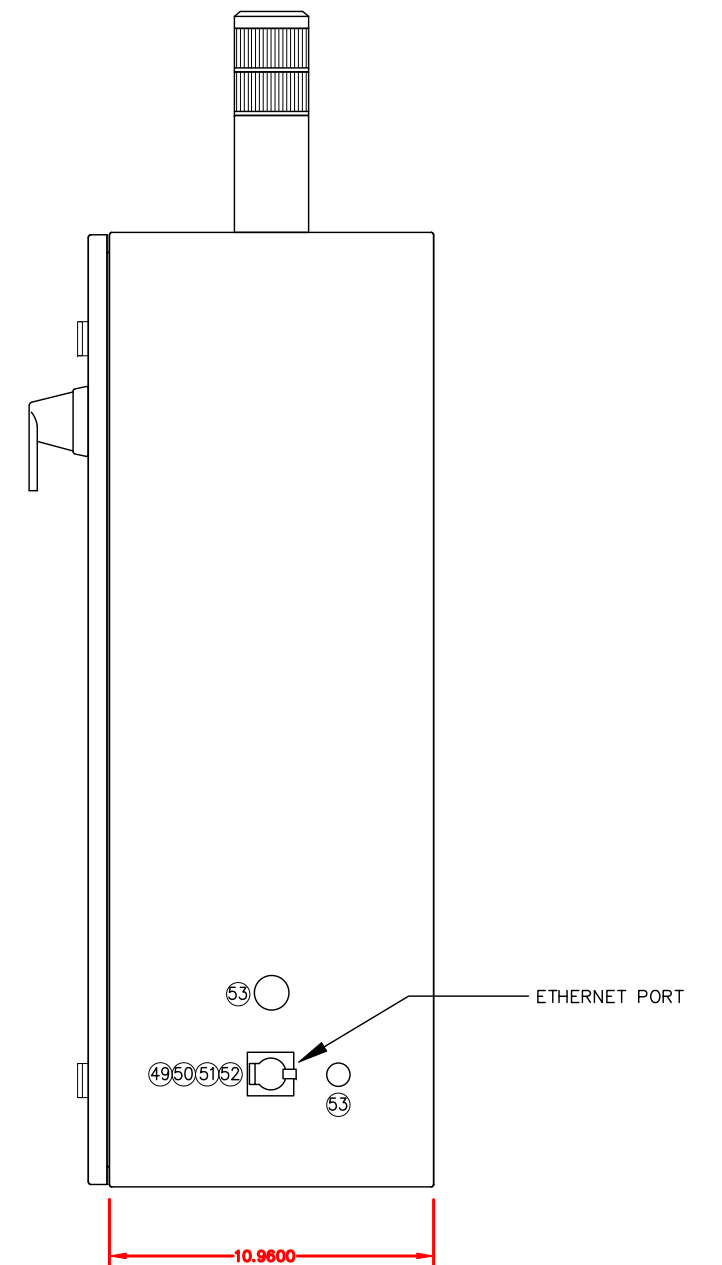
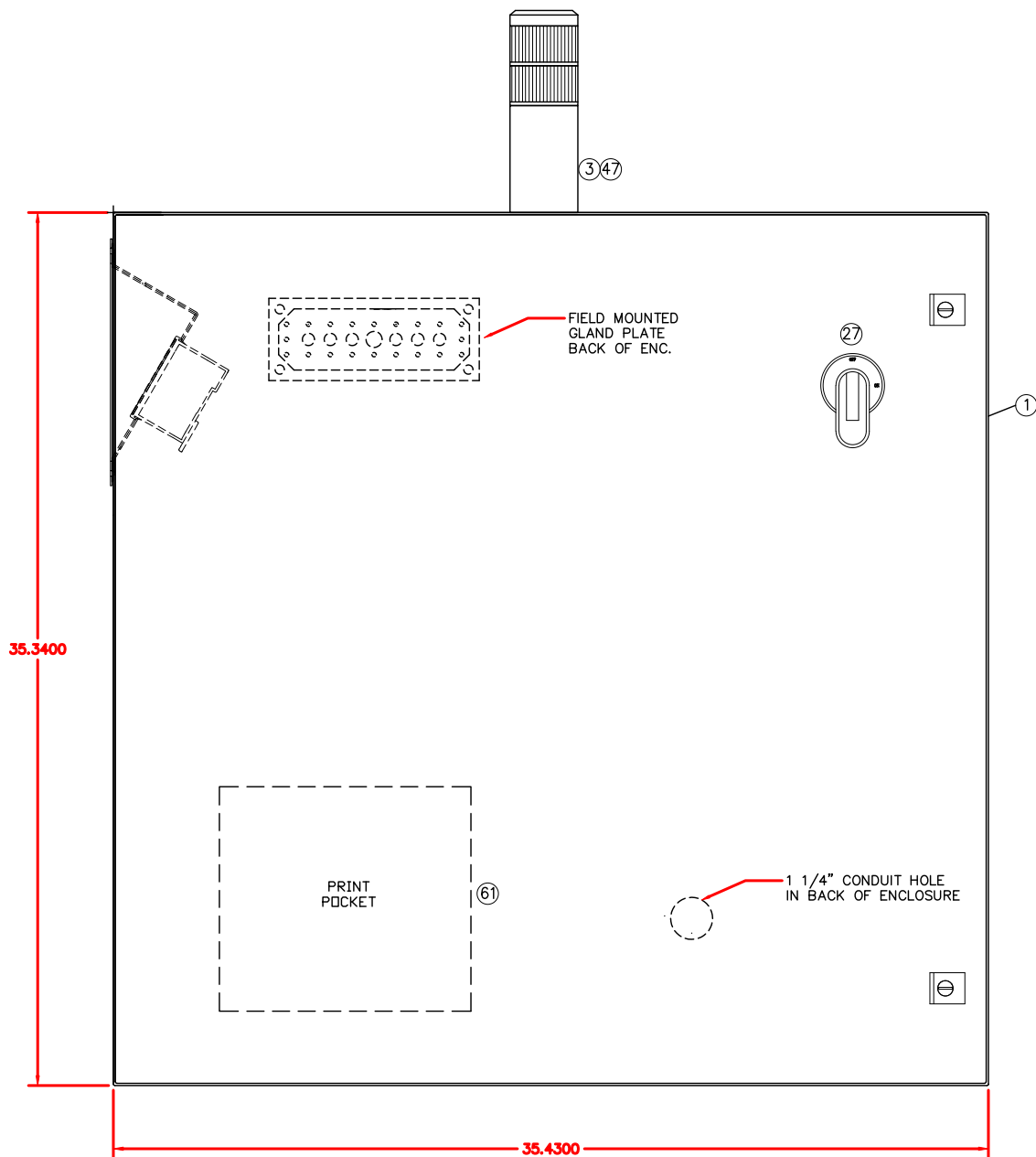
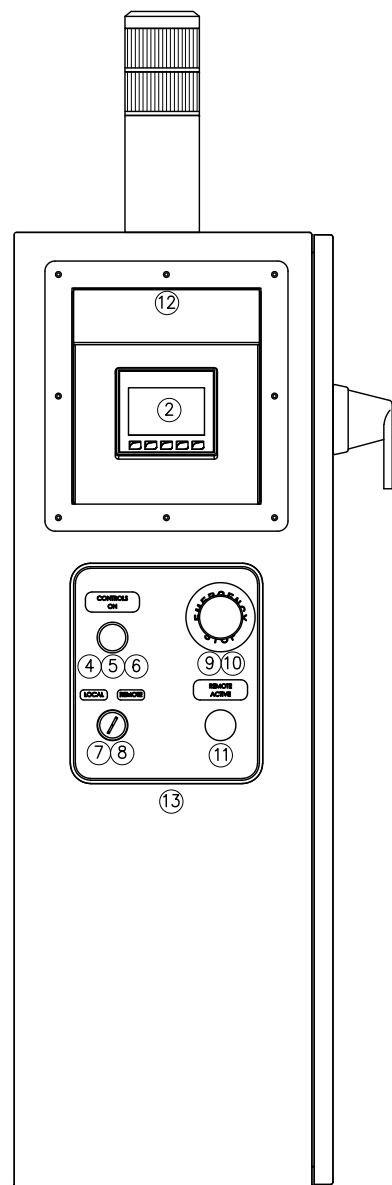
DETAIL D
SCALE 1 : 4



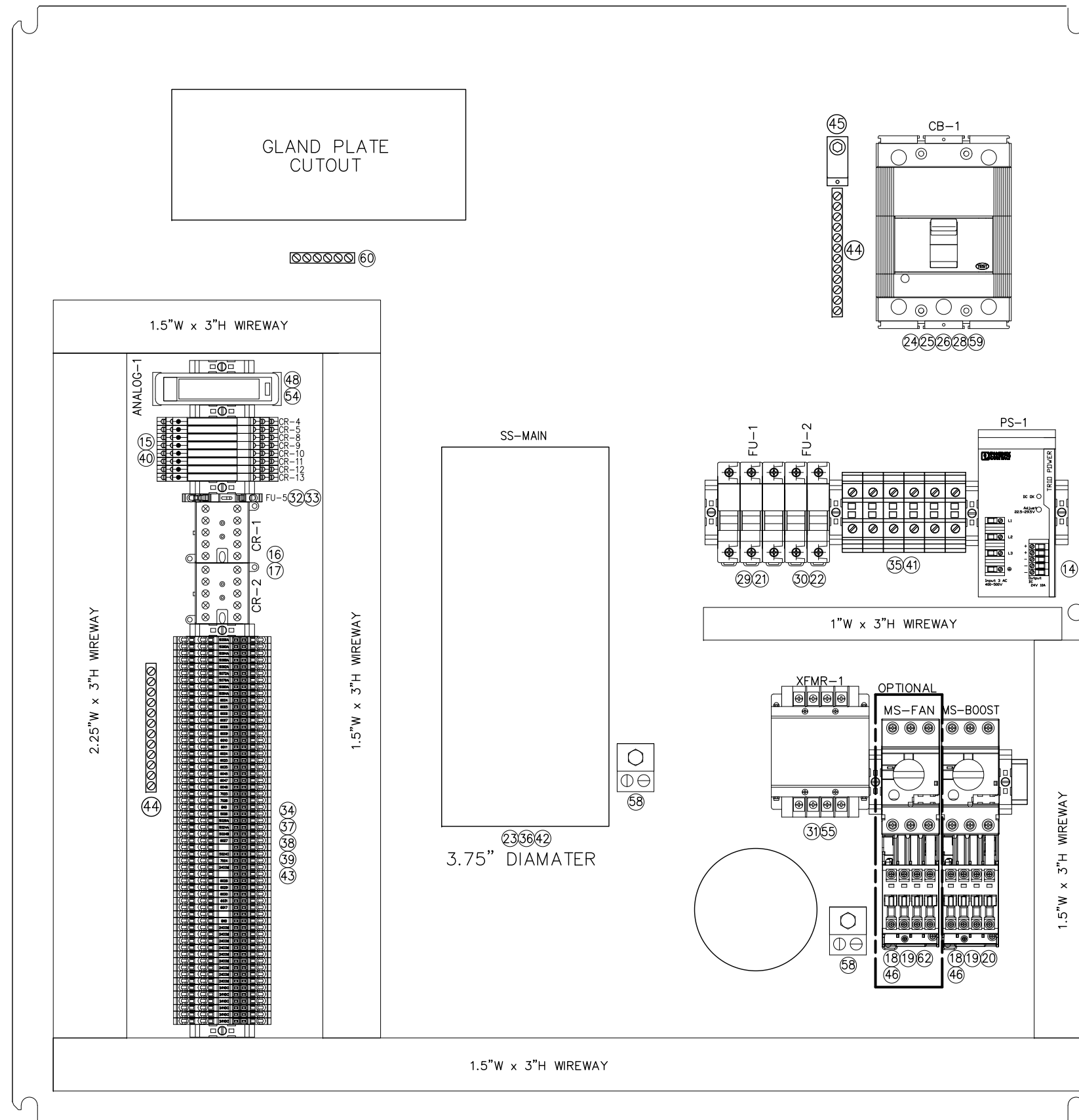
DETAIL B
SCALE 1 : 6



<p>HIGHLY CONFIDENTIAL PROPRIETARY INFORMATION</p> <p>ALL DATA AND INFORMATION ON THIS DOCUMENT IS FOR THE SOLE USE OF ACCUSTREAM AND ITS LICENSEES AND MAY NOT BE USED WITHOUT PERMISSION</p>	<p>ACCUSTREAM, INC. 309 5TH AVENUE NW PHONE: 651-294-8600 NEW BRIGHTON, MN 55112 FAX: 651-294-8620 EMAIL: INFO@ACCUSTREAM.COM WEB: WWW.ACCUSTREAM.COM</p>			TITLE:			
	<p>-TOLERANCES- UNLESS OTHERWISE SPECIFIED DIMENSIONS IN INCHES</p> <p>ANGULAR: MACH ± 1 BEND ± 1 ONE PLACE DECIMAL ± .05 TWO PLACE DECIMAL ± .015 THREE PLACE DECIMAL ± .005</p>	<p>DRAWN</p> <p>T.J.W.</p>	<p>DATE</p> <p>1/21/2009</p>	<p>MATERIAL</p> <p>SEE PARTS LIST</p>	<p>SHEET</p> <p>2 OF 2</p>	<p>SCALE:</p> <p>1:16</p>	<p>FINISH</p>
		<p>BREAK AND DEBURR ALL EDGES .015 MAX</p>	<p>CHECKED</p> <p>-</p>	<p>ENG APPR.</p> <p>-</p>	<p>HARDNESS</p> <p>WEIGHT</p>	<p>SIZE</p> <p>B</p>	<p>DWG. NO.</p> <p>13022</p>



HIGHLY CONFIDENTIAL PROPRIETARY INFORMATION	309 5TH AVENUE NW NEW BRIGHTON, MN 55112 PHONE: 651-294-8600 FAX: 651-294-8620 EMAIL: WATERJET@HYPERTHERM.COM WEB: WWW.HYPERTHERM.COM			TITLE: HyPrecision 100D, 460V, 60HZ ENCLOSURE ASSEMBLY																			
				THIS DRAWING AND ALL INFORMATION CONTAINED THEREON IS CONSIDERED PROPRIETARY AND MAY NOT BE USED FOR MANUFACTURING OR FABRICATION PURPOSES WITHOUT PERMISSION FROM HYPERTHERM, INC.	-TOLERANCES- UNLESS OTHERWISE SPECIFIED DIMENSIONS IN INCHES ANGULAR: MACH ± 1 BEND ± 1 ONE PLACE DECIMAL ± .05 TWO PLACE DECIMAL ± .015 THREE PLACE DECIMAL ± .005 BREAK AND DEBURR ALL EDGES .015 MAX	<table border="1"> <tr> <td>DRAWN</td> <td>SMM</td> <td>DATE</td> <td>03-27-14</td> <td>MATERIAL</td> <td></td> </tr> <tr> <td>CHECKED</td> <td>XXX</td> <td></td> <td></td> <td>HARDNESS</td> <td></td> </tr> <tr> <td>ENG APPR.</td> <td>XXX</td> <td></td> <td></td> <td>WEIGHT</td> <td></td> </tr> </table>	DRAWN	SMM	DATE	03-27-14	MATERIAL		CHECKED	XXX			HARDNESS		ENG APPR.	XXX			WEIGHT
DRAWN	SMM	DATE	03-27-14	MATERIAL																			
CHECKED	XXX			HARDNESS																			
ENG APPR.	XXX			WEIGHT																			
	SIZE B	DWG. NO. 14826	REV B																				



HIGHLY CONFIDENTIAL PROPRIETARY INFORMATION	309 5TH AVENUE NW NEW BRIGHTON, MN 55112 PHONE: 651-294-8600 FAX: 651-294-8620 EMAIL: WATERJET@HYPERTHERM.COM WEB: WWW.HYPERTHERM.COM			TITLE: HyPrecision 100D, 460V, 60HZ BACK PANEL LAYOUT			
				SHEET 2 OF 7	SCALE: 1:1	FINISH	
THIS DRAWING AND ALL INFORMATION CONTAINED THEREON IS CONSIDERED PROPRIETARY AND MAY NOT BE USED FOR MANUFACTURING OR FABRICATION PURPOSES WITHOUT PERMISSION FROM HYPERTHERM, INC.	-TOLERANCES- UNLESS OTHERWISE SPECIFIED DIMENSIONS IN INCHES ANGULAR: MACH ± 1 BEND ± 1 ONE PLACE DECIMAL ± .05 TWO PLACE DECIMAL ± .015 THREE PLACE DECIMAL ± .005 BREAK AND DEBURR ALL EDGES .015 MAX	DRAWN SMM	DATE 03-27-14	MATERIAL	SIZE B	DWG. NO. 14826	REV B
		CHECKED XXX		HARDNESS			
		ENG APPR. XXX		WEIGHT			

ITEM	QTY.	MANUFACTURER	DESCRIPTION	PART NO.
1	1	RITTAL	ENCLOSURE	WM363612NC
2	1	HORNER ELECTRIC	PLC/OPERTOR INTERFACE	HE-XC1E4
3	1	PATLITE	STACK LIGHT	LME-302-RYG
4	1	ABB	CONTROL POWER ON LIGHT OPERATOR, MOMENTARY, EXTENED, WHITE	MP3-11W
5	1	ABB	HOLDER AND CONTACT BLOCK, 1 N.O.	MCBH-101
6	1	ABB	LED, 24VDC, WHITE	KA2-2025
7	1	IDEC	REMOTE/LOCAL SELECTOR SWITCH OPERATOR, KEYED	HW1K-2A
8	1	IDEC	HOLDER AND CONTACT BLOCK, 1 N.O., 1 N.C.	HW-CBF11
9	1	ABB	E-STOP OPERATOR, MAINTAINED, TWIST TO RELEASE	MPMT3-10R
10	1	ABB	HOLDER AND CONTACT BLOCK, 2 N.C.	MCBH-02
11	1	ABB	REMOTE ACTIVE INDICATOR LIGHT, 24VDC, LED, BLUE	CL-502L
12	1	HYPERTHERM	PLC/OPERATOR INTERFACE MOUNTING PLATE	HYPERTHERM
13	1	HYPERTHERM	HYPERTHERM OPERATOR FACEPLATE	HYPERTHERM
14	1	PHOENIX CONTACT	POWER SUPPLY, TRIO, 10 AMP, 24VDC, THREE PHASE	2866459
15	5+3	PHOENIX CONTACT	SOLID STATE RELAY, 24VDC COIL, SPDT	2966634
16	2	ABB	MINI CONTACTOR, 24VDC COIL, 4 POLE N.O.	BC6-30-10-01
17	2	ABB	SURGE SUPPRESSOR	RV-BC6/60
18	1	ABB	CONTACTOR MATING CONNECTOR	BEA16-4
19	1	ABB	CONTACTOR, 24VDC COIL, 3 POLE 1 N.O. AUX.	AF09Z-30-10-21
20	1	ABB	MANUAL MOTOR PROTECTOR	MS-116-1.6
21	*4	FERRAZ	FUSE, 600V, TIME DELAY, 6 AMP, CLASS CC	ATQR-6
22	*3	FERRAZ	FUSE, 600V, TIME DELAY, .3 AMP, CLASS CC	ATQR-3/10
23	1	ABB	SOFT STARTER	PSE142-600-70
24	1	ABB	CIRCUIT BREAKER, 3 POLE, 150 AMP	T3NQ150TW
25	2	ABB	CIRCUIT BREAKER LUG KIT	KT3225-3
26	1	ABB	ROTARY HANDLE MECHANISM	KT3VD-M
27	1	ABB	ROTARY HANDLE	OHB65J6
28	1	ABB	SHAFT	OXF6X430
29	1	FERRAZ	FUSE HOLDER, 3 POLE, CLASS CC, LIGHTED	USCC3I
30	1	FERRAZ	FUSE HOLDER, 2 POLE, CLASS CC, LIGHTED	USCC2I
31	1	SOLA/HD	TRANSFORMER 460V-120V, 50VA	E050
32	1	PHOENIX CONTACT	FUSE HOLDER, 1 POLE, 24VDC LIGHTED, 1 1/4 x 1/4 FUSE	3038765
33	*2	FERRAZ	FUSE, 250V 2 AMP, FAST ACTING, CERAMIC 1 1/4 x 1/4	GAB-2
34	56	PHOENIX CONTACT	TERMINAL BLOCK, SPRING CAGE	3209549
35	6	PHOENIX CONTACT	TERMINAL BLOCK, SCREW, UT 35	3044225
36	2	ABB	SOFT START LINE/LOAD LUGS (4-300MCM)	ATK185
37	1	PHOENIX CONTACT	TERMINAL BLOCK, END PLATE	3030488
38	11	PHOENIX CONTACT	TERMINAL BLOCK, END BARRIER	0800886
39	2	PHOENIX CONTACT	TERMINAL BLOCK JUMPER, 10 POSITION	3030213
40	1/2	PHOENIX CONTACT	SOLID STATE RELAY JUMPER, 20 POSITION	2966692
41	3	PHOENIX CONTACT	TERMINAL BLOCK JUMPER, 2 POSITION UT 35	3005963
42	1	ABB	SOFT STARTER TERMINAL SHROUDS	LT185-AL
43	2	PHOENIX CONTACT	TERMINAL BLOCK, SPRING CAGE, GROUND	3209565
44	2	SIEMENS	10 HOLE GROUND BUS	GB10
45	1	T&B-BLACKBURN	GROUND LUG	ADR21
46	1	ABB	POWER FEED TERMINAL	S1-M1-25
47	1	PATLITE	STACK LIGHT SHAFT	LME-SHAFT2
48	1	HORNER ELECTRIC	PLC TO SMARTMOD INTERFACE CABLE	TPCCBL
49	1	PHOENIX CONTACT	RJ45 ADAPTOR	1689064
50	1	PHOENIX CONTACT	RJ45 FRAME	1689844
51	1	PHOENIX CONTACT	FRAME CAP	1652606
52	1	GC ELECTRONICS	ETHERNET CABLE, 7FT.	45-6839-BU
53	4	HAMMOND	HOLE PLUG, 1.22" DIA.	HP22
54	1	HORNER ELECTRIC	PLC SMARTMOD 2 CHANNEL ANALOG OUTPUT MODULE	HE-359DAC007
55	1	SOLA/HD	TRANSFORMER TERMINAL COVERS	IP20
56	1	HAMMOND	HOLE PLUG, 2.20" DIA.	HP125


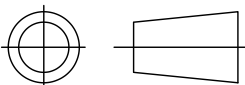
* QUANTITIES OF FUSES LISTED INCLUDE SPARES

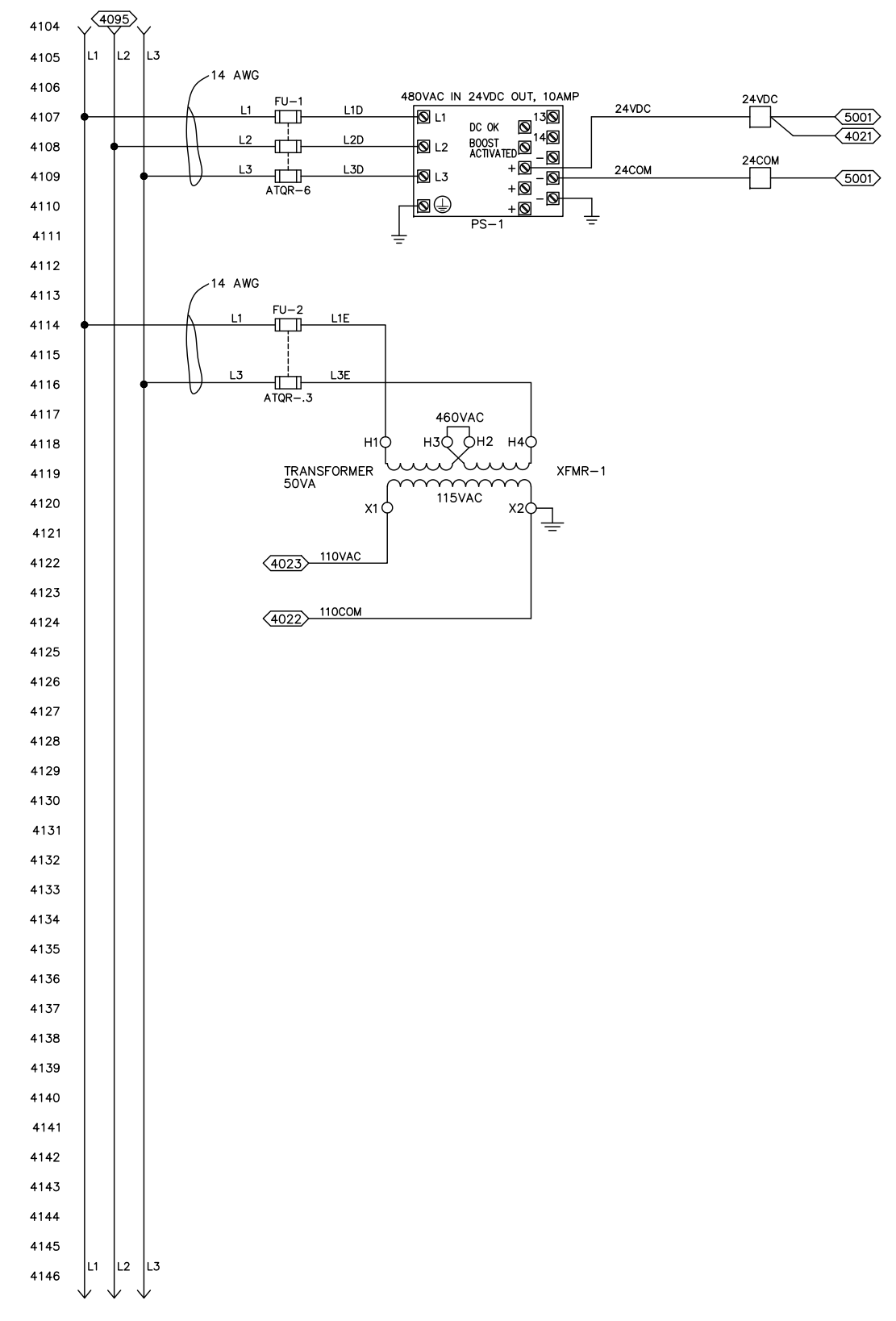
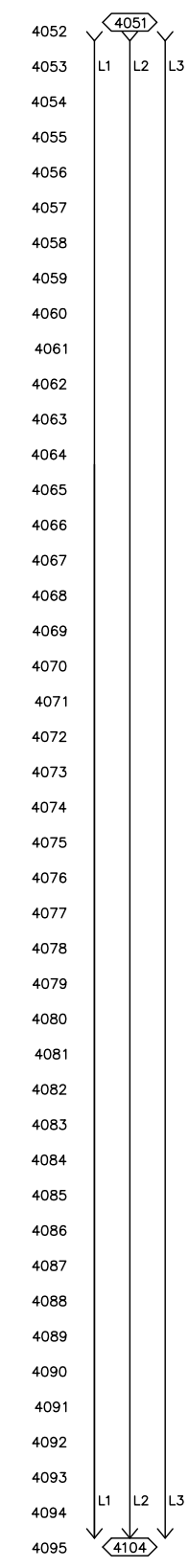
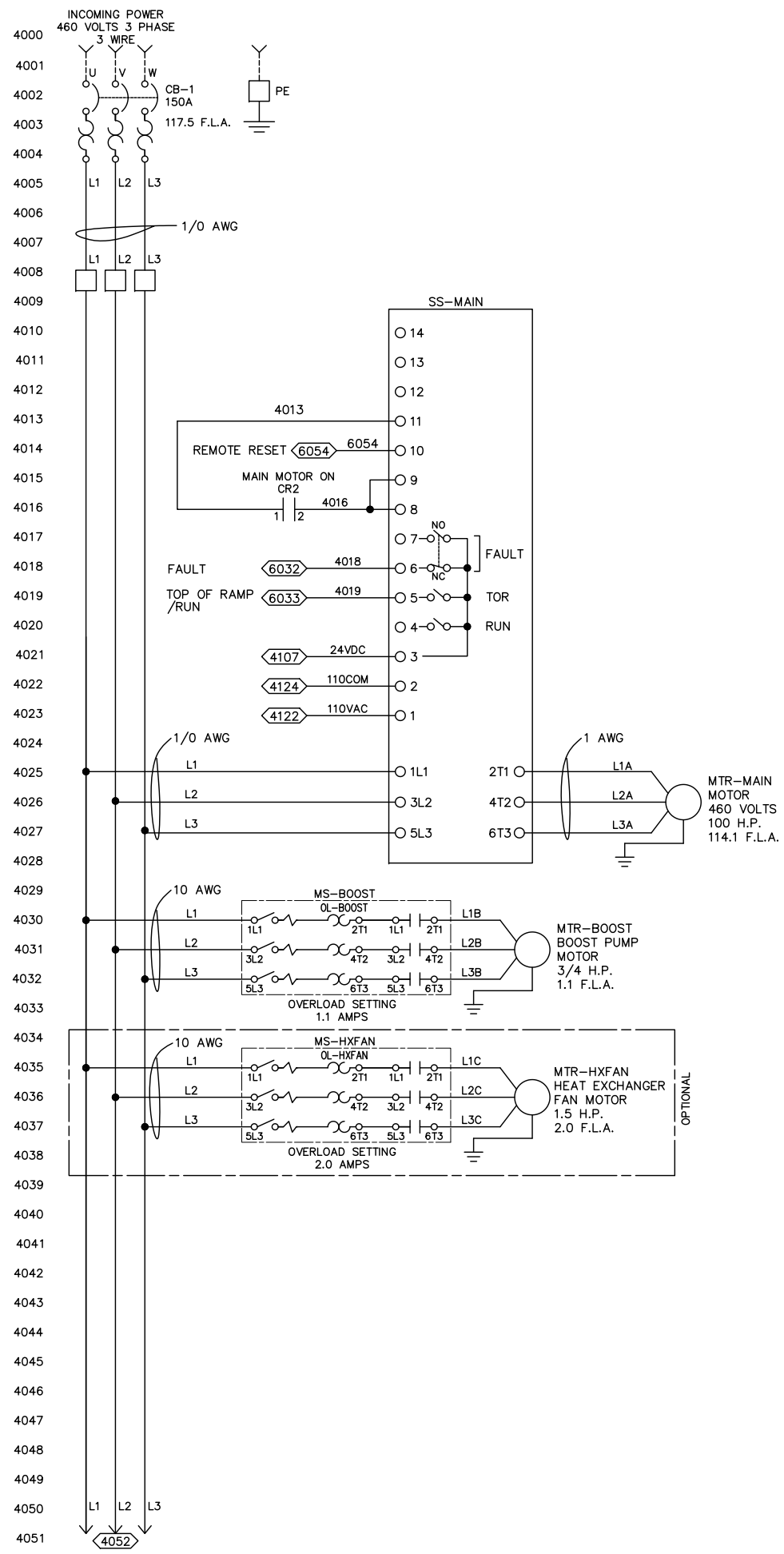
ITEM	QTY.	MANUFACTURER	DESCRIPTION	PART NO.
58	2	T&B-BLACKBURN	DOUBLE GROUND LUG	ADR11-21
59	1	ABB	DISCONNECT KEYLOCK OPEN KIT	KT3RHL3
60	1	SIEMENS	5 HOLE GROUND BUS	GB05
61	1	RITTAL	PRINT POCKET	2514000

AIR COOLED HEAT EXCHANGER OPTION				
ITEM	QTY.	MANUFACTURER	DESCRIPTION	PART NO.
18	1	ABB	CONTACTOR MATING CONNECTOR	BEA16-4
19	1	ABB	CONTACTOR, 24VDC COIL, 3 POLE 1 N.O. AUX.	AF09Z-30-10-21
62	1	ABB	MANUAL MOTOR PROTECTOR	MS-116-2.5
46	1	ABB	POWER FEED TERMINAL	S1-M1-25

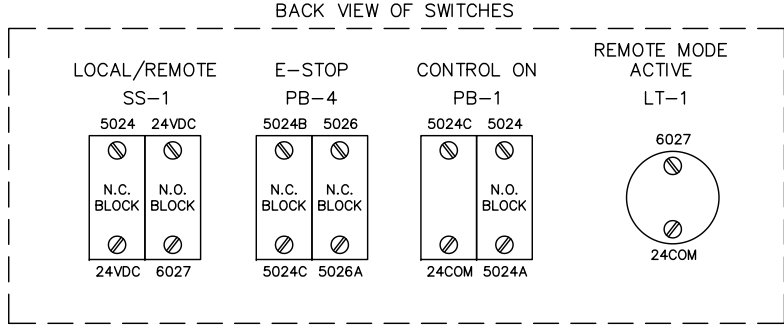
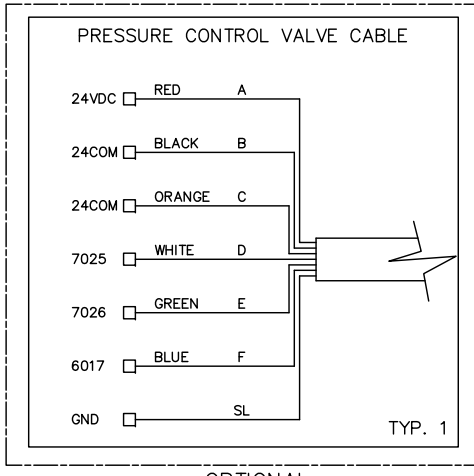
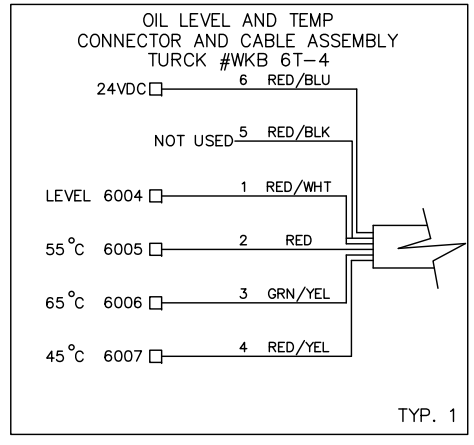
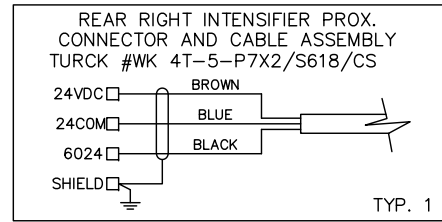
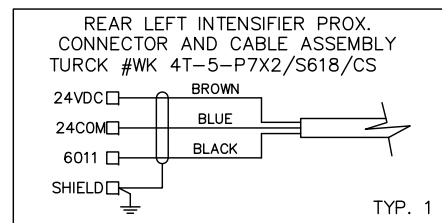
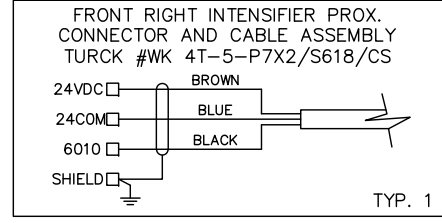
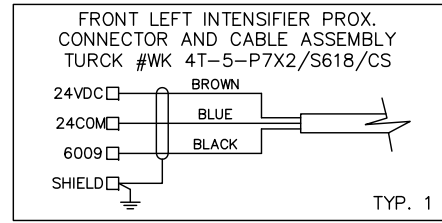
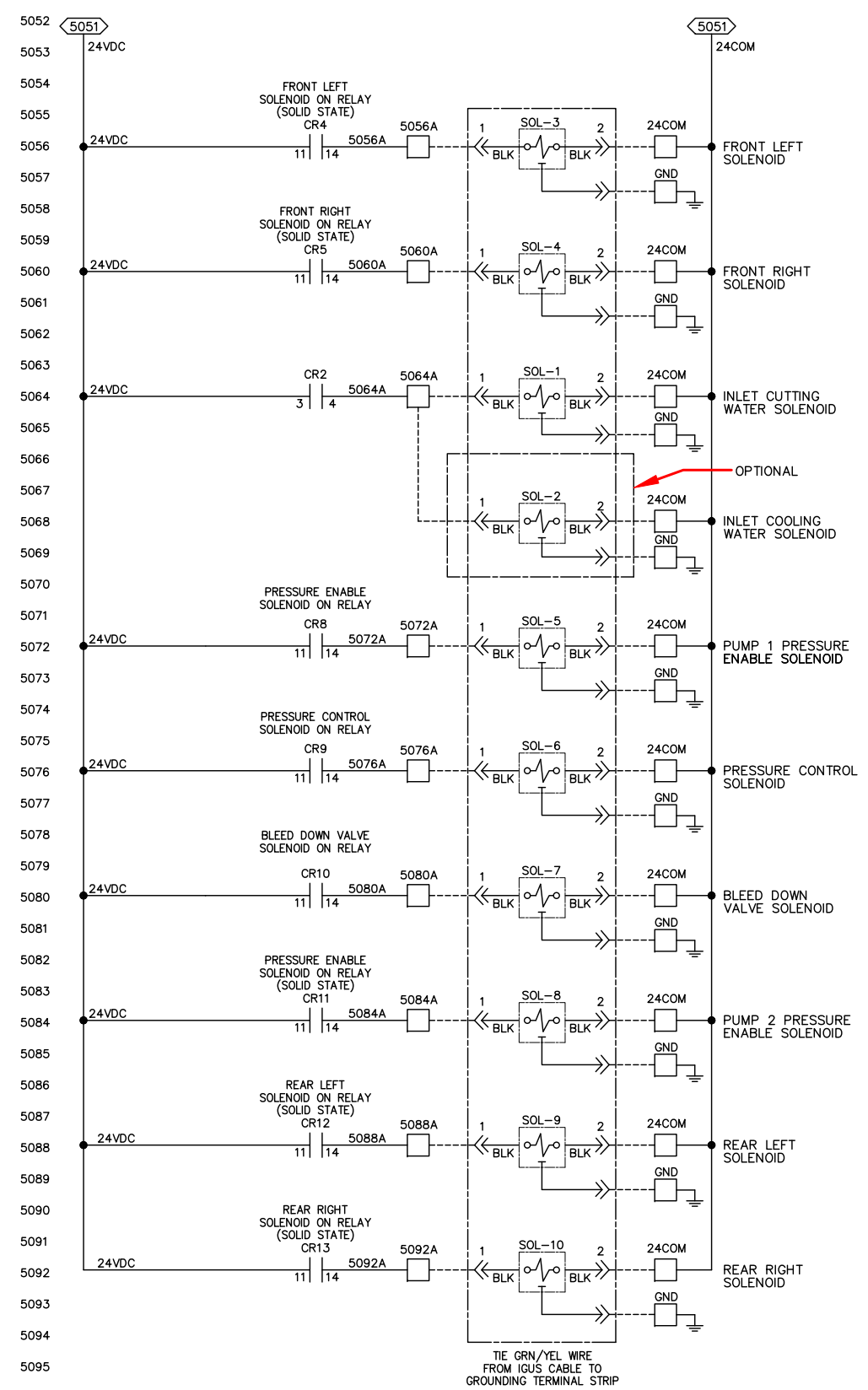
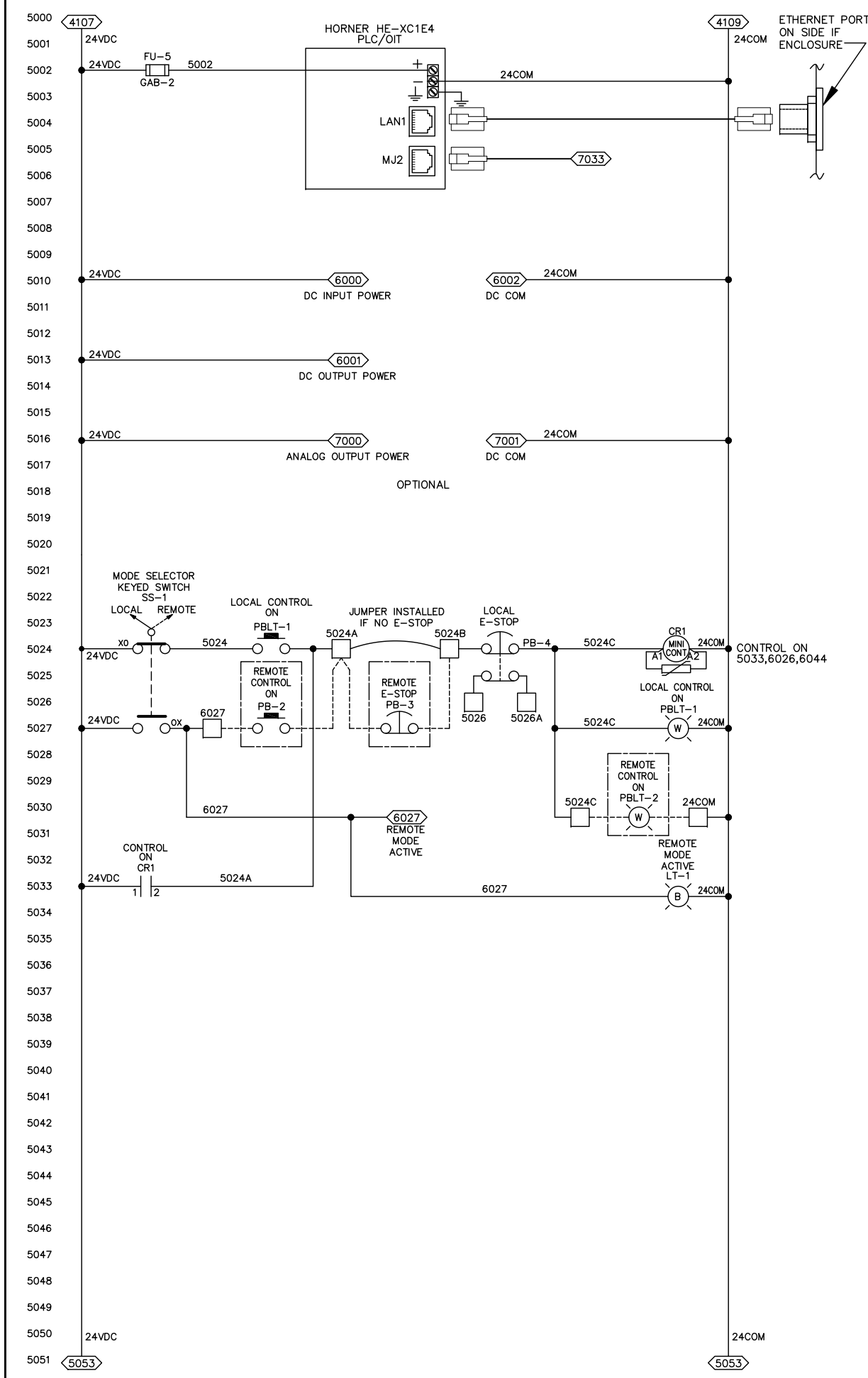
SHIP ONE LOOSE AS SPARE
SHIP ONE LOOSE AS SPARE

SHIP ONE LOOSE AS SPARE

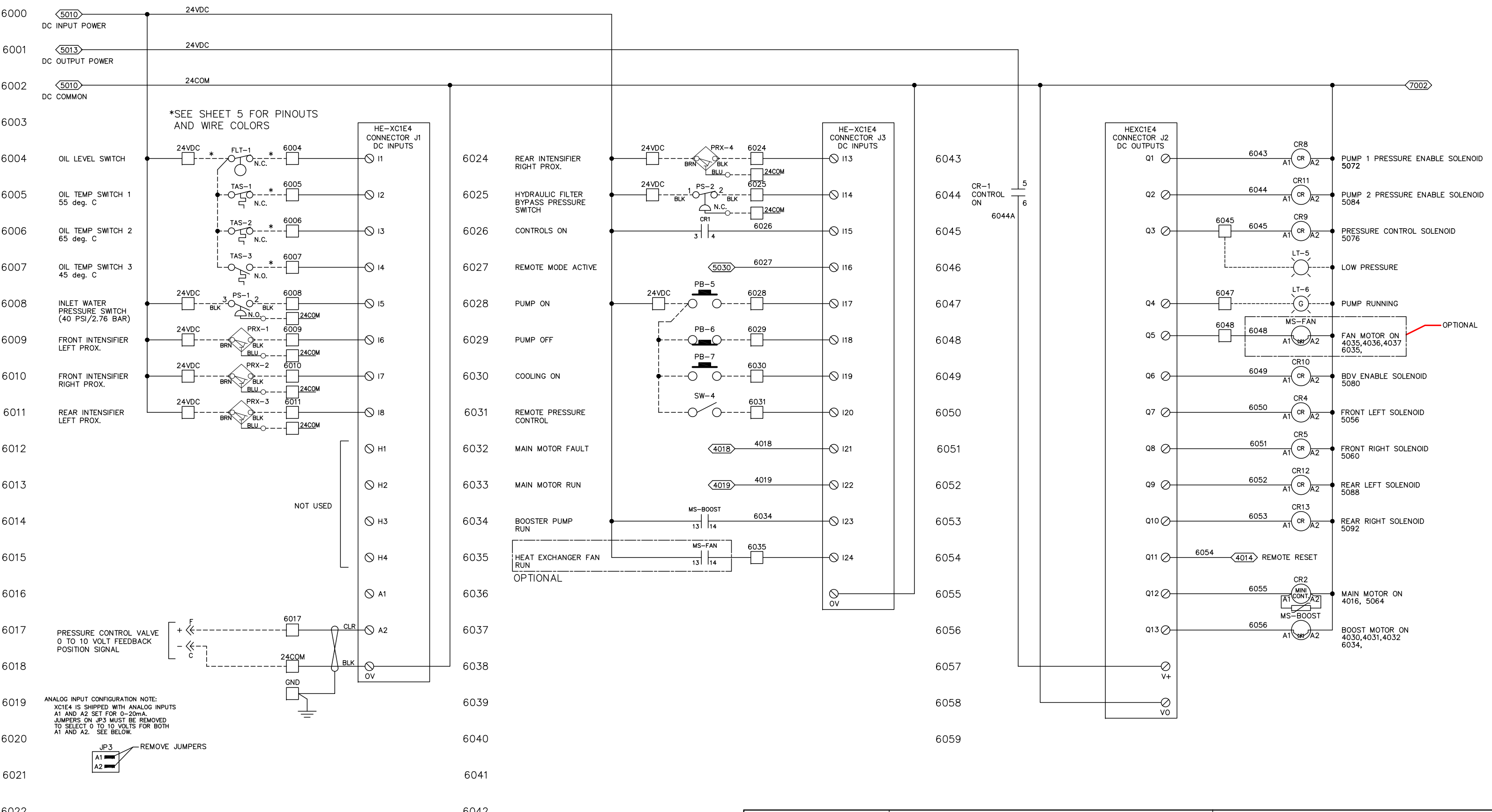
HIGHLY CONFIDENTIAL PROPRIETARY INFORMATION	 309 5TH AVENUE NW NEW BRIGHTON, MN 55112 PHONE: 651-294-8600 FAX: 651-294-8620 EMAIL: WATERJET@HYPERTHERM.COM WEB: WWW.HYPERTHERM.COM			TITLE: HyPrecision 100D, 460V, 60HZ					
				BILL OF MATERIALS					
THIS DRAWING AND ALL INFORMATION CONTAINED THEREON IS CONSIDERED PROPRIETARY AND MAY NOT BE USED FOR MANUFACTURING OR FABRICATION PURPOSES WITHOUT PERMISSION FROM HYPERTHERM, INC.	-TOLERANCES- UNLESS OTHERWISE SPECIFIED DIMENSIONS IN INCHES		DRAWN	SMM	DATE	03-27-14	SHEET 3 OF 7	SCALE: 1:1	FINISH
	ANGULAR: MACH ± 1 BEND ± 1 ONE PLACE DECIMAL ± .05 TWO PLACE DECIMAL ± .015 THREE PLACE DECIMAL ± .005 BREAK AND DEBURR ALL EDGES .015 MAX		CHECKED	XXX					
			ENG APPR.	XXX			WEIGHT	SIZE B	DWG. NO. 14826



HIGHLY CONFIDENTIAL PROPRIETARY INFORMATION	309 5TH AVENUE NW NEW BRIGHTON, MN 55112 PHONE: 651-294-8600 FAX: 651-294-8620 EMAIL: WATERJET@HYPERTHERM.COM WEB: WWW.HYPERTHERM.COM			TITLE: HyPrecision 100D, 460V, 60HZ MOTOR AND POWER SUPPLY WIRING		
				SHEET 4 OF 7	SCALE: 1:1	FINISH
THIS DRAWING AND ALL INFORMATION CONTAINED THEREON IS CONSIDERED PROPRIETARY AND MAY NOT BE USED FOR MANUFACTURING OR FABRICATION PURPOSES WITHOUT PERMISSION FROM HYPERTHERM, INC.	-TOLERANCES- UNLESS OTHERWISE SPECIFIED DIMENSIONS IN INCHES ANGULAR: MACH ± 1 BEND ± 1 ONE PLACE DECIMAL ± .05 TWO PLACE DECIMAL ± .015 THREE PLACE DECIMAL ± .005 BREAK AND DEBURR ALL EDGES .015 MAX	DRAWN	SMM	DATE	03-27-14	MATERIAL
		CHECKED	XXX			HARDNESS
		ENG APPR.	XXX			WEIGHT
		SIZE B	DWG. NO. 14826	REV B		

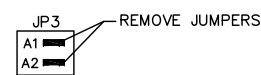


HIGHLY CONFIDENTIAL PROPRIETARY INFORMATION		309 5TH AVENUE NW PHONE: 651-294-8600 NEW BRIGHTON, MN 55112 FAX: 651-294-8620 EMAIL: WATERJET@HYPERTHERM.COM WEB: WWW.HYPERTHERM.COM			TITLE: HyPrecision 100D, 460V, 60HZ 24VDC CONTROL WIRING		
		THIS DRAWING AND ALL INFORMATION CONTAINED THEREON IS CONSIDERED PROPRIETARY AND MAY NOT BE USED FOR MANUFACTURING OR FABRICATION PURPOSES WITHOUT PERMISSION FROM HYPERTHERM, INC.	-TOLERANCES- UNLESS OTHERWISE SPECIFIED DIMENSIONS IN INCHES ANGULAR: MACH ± 1 BEND ± 1 ONE PLACE DECIMAL ± .05 TWO PLACE DECIMAL ± .015 THREE PLACE DECIMAL ± .005 BREAK AND DEBURR ALL EDGES .015 MAX	DRAWN: SMM CHECKED: XXX ENG APPR: XXX	DATE: 03-27-14	MATERIAL:	SHEET: 5 OF 7
				HARDNESS:	SIZE: B	DWG. NO.: 14826	REV: B



*SEE SHEET 5 FOR PINOUTS AND WIRE COLORS

ANALOG INPUT CONFIGURATION NOTE:
XC1E4 IS SHIPPED WITH ANALOG INPUTS
A1 AND A2 SET FOR 0-20mA.
JUMPERS ON JP3 MUST BE REMOVED
TO SELECT 0 TO 10 VOLTS FOR BOTH
A1 AND A2. SEE BELOW.



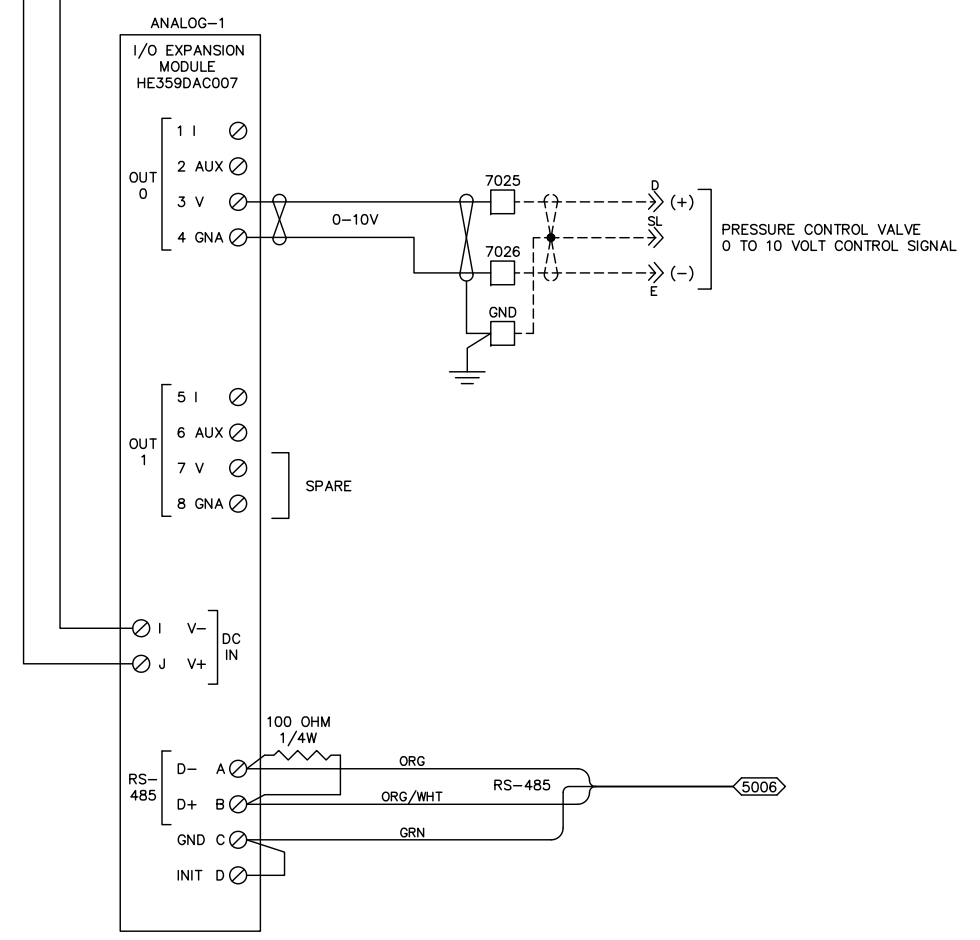
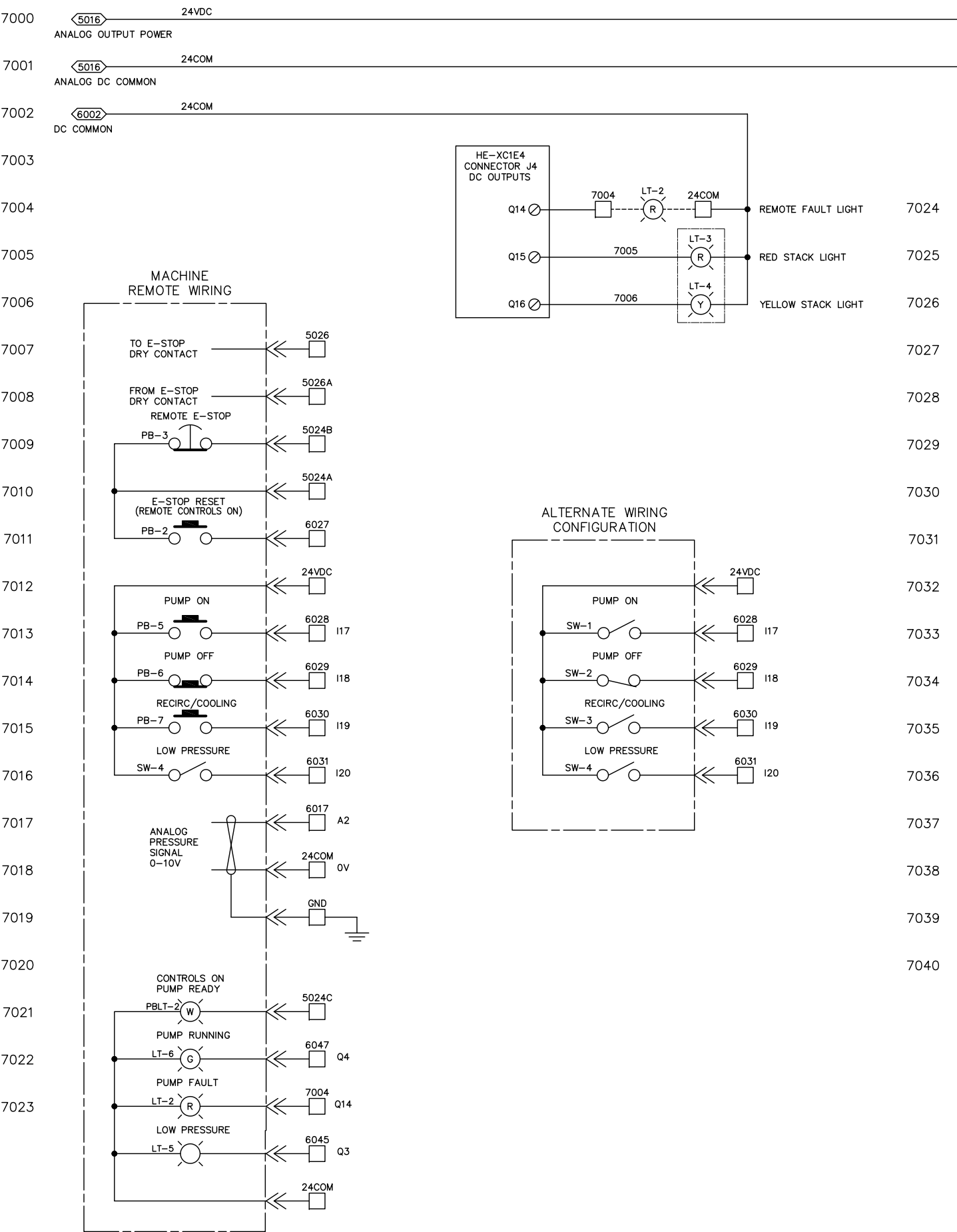
6000
6001
6002
6003
6004
6005
6006
6007
6008
6009
6010
6011
6012
6013
6014
6015
6016
6017
6018
6019
6020
6021
6022
6023

6024
6025
6026
6027
6028
6029
6030
6031
6032
6033
6034
6035
6036
6037
6038
6039
6040
6041
6042

6043
6044
6045
6046
6047
6048
6049
6050
6051
6052
6053
6054
6055
6056
6057
6058
6059

7002

HIGHLY CONFIDENTIAL PROPRIETARY INFORMATION					309 5TH AVENUE NW NEW BRIGHTON, MN 55112 PHONE: 651-294-8600 FAX: 651-294-8620 EMAIL: WATERJET@HYPERTHERM.COM WEB: WWW.HYPERTHERM.COM			TITLE: HyPrecision 100D, 460V, 60HZ PLC WIRING SHEET 1		
THIS DRAWING AND ALL INFORMATION CONTAINED THEREON IS CONSIDERED PROPRIETARY AND MAY NOT BE USED FOR MANUFACTURING OR FABRICATION PURPOSES WITHOUT PERMISSION FROM HYPERTHERM, INC.		-TOLERANCES- UNLESS OTHERWISE SPECIFIED DIMENSIONS IN INCHES ANGULAR: MACH ± 1 BEND ± 1 ONE PLACE DECIMAL ± .05 TWO PLACE DECIMAL ± .015 THREE PLACE DECIMAL ± .005 BREAK AND DEBURR ALL EDGES .015 MAX		DRAWN SMM	DATE 03-27-14	MATERIAL	SHEET 6 OF 7	SCALE: 1:1	FINISH	
		CHECKED XXX	HARDNESS	ENG APPR. XXX	WEIGHT	SIZE B	DWG. NO. 14826	REV B		



HIGHLY CONFIDENTIAL PROPRIETARY INFORMATION	Hypertherm 309 5TH AVENUE NW NEW BRIGHTON, MN 55112 PHONE: 651-294-8600 FAX: 651-294-8620 EMAIL: WATERJET@HYPERTHERM.COM WEB: WWW.HYPERTHERM.COM		TITLE: HyPrecision 100D, 460V, 60HZ PLC WIRING SHEET 2				
			DRAWN: SMM	DATE: 03-27-14	MATERIAL:	SHEET 7 OF 7	SCALE: 1:1
THIS DRAWING AND ALL INFORMATION CONTAINED THEREON IS CONSIDERED PROPRIETARY AND MAY NOT BE USED FOR MANUFACTURING OR FABRICATION PURPOSES WITHOUT PERMISSION FROM HYPERTHERM, INC.	-TOLERANCES- UNLESS OTHERWISE SPECIFIED DIMENSIONS IN INCHES		CHECKED: XXX	HARDNESS:	SIZE B	DWG. NO. 14826	REV B
	ANGULAR: MACH ± 1 BEND ± 1 ONE PLACE DECIMAL ± .05 TWO PLACE DECIMAL ± .015 THREE PLACE DECIMAL ± .005 BREAK AND DEBURR ALL EDGES .015 MAX		ENG APPR: XXX	WEIGHT:			