
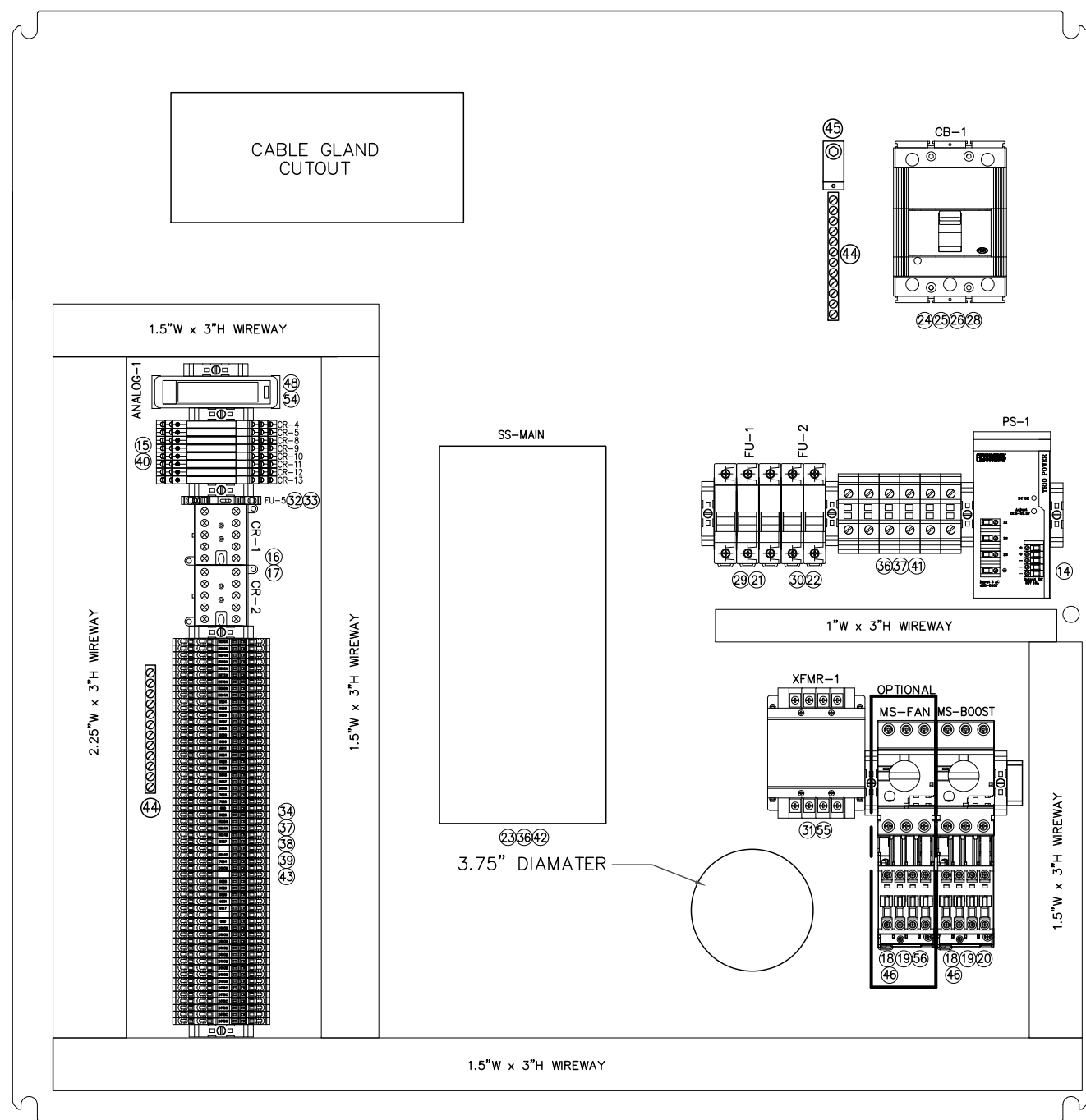


HIGHLY CONFIDENTIAL PROPRIETARY INFORMATION ALL DATA AND INFORMATION ON THIS DOCUMENT IS FOR THE SOLE USE OF ACCUSTREAM AND ITS LICENSEES AND MAY NOT BE USED WITHOUT PERMISSION BREAK AND DEBURR ALL EDGES .015 MAX	 309 5TH AVENUE NW NEW BRIGHTON, MN 55112 PHONE: 651-294-8600 FAX: 651-294-8620 EMAIL: INFO@ACCUSTREAM.COM WEB: WWW.ACCUSTREAM.COM	100 HP, 460V, SS, 60Hz ENCLOSURE ASSEMBLY				
		NAME DATE MATERIAL	---	SHEET 1 OF 7	SCALE: 1:1	FINISH XX ✓
		DRAWN JML 05-24-13	---	HARDNESS ---	SIZE B	DWG. NO. 14826
-TOLERANCES- UNLESS OTHERWISE SPECIFIED DIMENSIONS IN INCHES ANGULAR: MACH ± 1 BEND ± 1 ONE PLACE DECIMAL ± .05 TWO PLACE DECIMAL ± .015 THREE PLACE DECIMAL ± .005	CHECKED --- ENG APPR. ---	DATE --- ---	WEIGHT ---			



HIGHLY CONFIDENTIAL PROPRIETARY INFORMATION ALL DATA AND INFORMATION ON THIS DOCUMENT IS FOR THE SOLE USE OF ACCUSTREAM AND ITS LICENSEES AND MAY NOT BE USED WITHOUT PERMISSION BREAK AND DEBURR ALL EDGES .015 MAX		309 5TH AVENUE NW NEW BRIGHTON, MN 55112 EMAIL: INFO@ACCUSTREAM.COM WEB: WWW.ACCUSTREAM.COM		PHONE: 651-294-8600 FAX: 651-294-8620		100 HP, 460V, SS, 60Hz BACK PANEL LAYOUT		
		-TOLERANCES- UNLESS OTHERWISE SPECIFIED DIMENSIONS IN INCHES ANGULAR: MACH ± 1 BEND ± 1 ONE PLACE DECIMAL ± .05 TWO PLACE DECIMAL ± .015 THREE PLACE DECIMAL ± .005	NAME JML	DATE 05-24-13	MATERIAL ---	SHEET 2 OF 7	SCALE: 1:1	FINISH XX ✓
		DRAWN CHECKED ENG APPR.	--- --- ---	--- --- ---	HARDNESS --- WEIGHT ---	SIZE B	DWG. NO. 14826	REV A


ITEM	QTY.	MANUFACTURER	DESCRIPTION	PART NO.
1	1	RITTAL	ENCLOSURE	WM363612NC
2	1	HORNER ELECTRIC	PLC/OPERTOR INTERFACE	HE-XC1E4
3	1	PATLITE	STACK LIGHT	LME-302-RYG
4	1	ABB	CONTROL POWER ON LIGHT OPERATOR, MOMENTARY, EXTENED, WHITE	MP3-11W
5	1	ABB	HOLDER AND CONTACT BLOCK, 1 N.O.	MCBH-101
6	1	ABB	LED, 24VDC, WHITE	KA2-2025
7	1	IDEC	REMOTE/LOCAL SELECTOR SWITCH OPERATOR, KEYED	HW1K-2A
8	1	IDEC	HOLDER AND CONTACT BLOCK, 1 N.O., 1 N.C.	HW-CBF11
9	1	ABB	E-STOP OPERATOR, MAINTAINED, TWIST TO RELEASE	MPMT3-10R
10	1	ABB	HOLDER AND CONTACT BLOCK, 2 N.C.	MCBH-02
11	1	ABB	REMOTE ACTIVE INDICATOR LIGHT, 24VDC, LED, BLUE	CL-502L
12	1	ACCUSTREAM	PLC/OPERATOR INTERFACE MOUNTING PLATE	ACCUSTREAM
13	1	ACCUSTREAM	ACCUSTREAM OPERATOR FACEPLATE	ACCUSTREAM
14	1	PHOENIX CONTACT	POWER SUPPLY, TRIO, 10 AMP, 24VDC, THREE PHASE	2866459
15	5+3	PHOENIX CONTACT	SOLID STATE RELAY, 24VDC COIL, SPDT	2966634
16	2	ABB	MINI CONTACTOR, 24VDC COIL, 4 POLE N.O.	BC6-30-10-01
17	2	ABB	SURGE SUPPRESSOR	RV-BC6/60
18	1	ABB	CONTACTOR MATING CONNECTOR	BEA16-4
19	1	ABB	CONTACTOR, 24VDC COIL, 3 POLE 1 N.O. AUX.	AF09Z-30-10-21
20	1	ABB	MANUAL MOTOR PROTECTOR	MS-116-1.6
21	*4	FERRAZ	FUSE, 600V, TIME DELAY, 6 AMP, CLASS CC	ATQR-6
22	*3	FERRAZ	FUSE, 600V, TIME DELAY, .3 AMP, CLASS CC	ATQR-3/10
23	1	ABB	SOFT STARTER	PSE142-600-70
24	1	ABB	CIRCUIT BREAKER, 3 POLE, 150 AMP	T3NQ150TW
25	2	ABB	CIRCUIT BREAKER LUG KIT	KT3225-3
26	1	ABB	ROTARY HANDLE MECHANISM	KT3VD-M
27	1	ABB	ROTARY HANDLE	OHB65J6
28	1	ABB	SHAFT	XP6X430
29	1	FERRAZ	FUSE HOLDER, 3 POLE, CLASS CC, LIGHTED	USCC3I
30	1	FERRAZ	FUSE HOLDER, 2 POLE, CLASS CC, LIGHTED	USCC2I
31	1	SOLA/HD	TRANSFORMER 460V-120V, 50VA	E050
32	1	PHOENIX CONTACT	FUSE HOLDER, 1 POLE, 24VDC LIGHTED, 1 1/4 x 1/4 FUSE	3038765
33	*2	FERRAZ	FUSE, 250V 2 AMP, FAST ACTING, CERAMIC 1 1/4 x 1/4	GAB-2
34	56	PHOENIX CONTACT	TERMINAL BLOCK, SPRING CAGE	3031241
35	6	PHOENIX CONTACT	TERMINAL BLOCK, SPRING CAGE UT 35	3044225
36	2	ABB	SOFT START LINE/LOAD LUGS (4-300MCM)	ATK185
37	1	PHOENIX CONTACT	TERMINAL BLOCK, END PLATE	3030488
38	11	PHOENIX CONTACT	TERMINAL BLOCK, END BARRIER	0800886
39	2	PHOENIX CONTACT	TERMINAL BLOCK JUMPER, 10 POSITION	3030213
40	1/2	PHOENIX CONTACT	SOLID STATE RELAY JUMPER, 20 POSITION	2966692
41	3	PHOENIX CONTACT	TERMINAL BLOCK JUMPER, 2 POSITION UT 35	3005963
42	1	ABB	SOFT STARTER TERMINAL SHROUDS	LT185-AL
43	2	PHOENIX CONTACT	TERMINAL BLOCK, SPRING CAGE, GROUND	3031267
44	2	SIEMENS	GROUND BUS	GB10
45	1	ILSCO	GROUND BUS	TA-2/0
46	1	ABB	POWER FEED TERMINAL	S1-M1-25
47	1	PATLITE	STACK LIGHT SHAFT	LME-SHAFT2
48	1	HORNER ELECTRIC	PLC TO SMARTMOD INTERFACE CABLE	TPCCBL
49	1	PHOENIX CONTACT	RJ45 ADAPTOR	1689064
50	1	PHOENIX CONTACT	RJ45 FRAME	1689844
51	1	PHOENIX CONTACT	FRAME CAP	1652606
52	1	GC ELECTRONICS	ETHERNET CABLE, 7FT.	45-6839-BU
53	4	HAMMOND	HOLE PLUG, 1.22" DIA.	HP22
54	1	HORNER ELECTRIC	PLC SMARTMOD 2 CHANNEL ANALOG OUTPUT MODULE	HE-359DAC007
55	1	SOLA/HD	TRANSFORMER TERMINAL COVERS	IP20
57	1	HAMMOND	HOLE PLUG, 2.20" DIA.	HP125

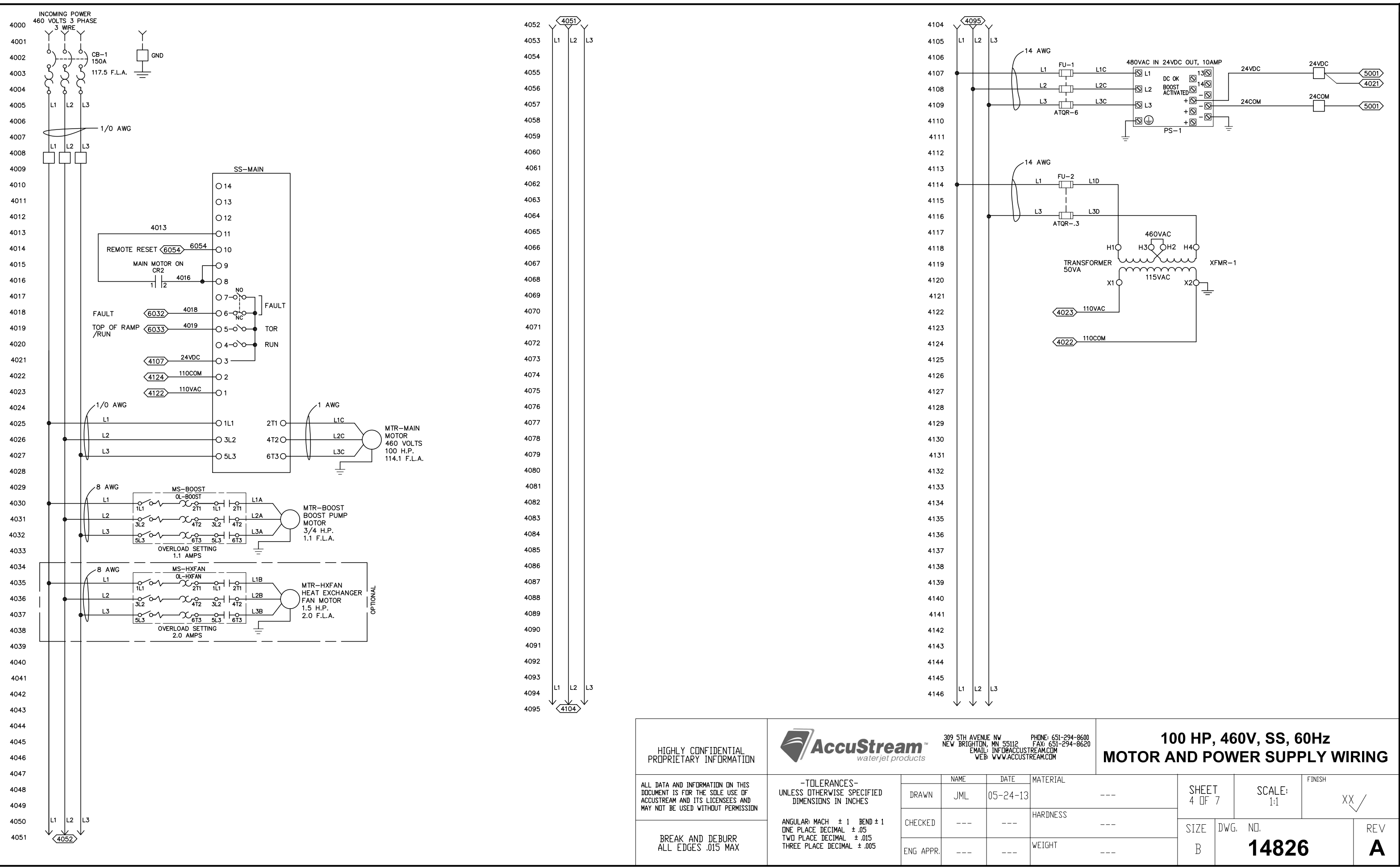
* QUANTITIES OF FUSES LISTED INCLUDE SPARES


SHIP ONE LOOSE AS SPARE
SHIP ONE LOOSE AS SPARE

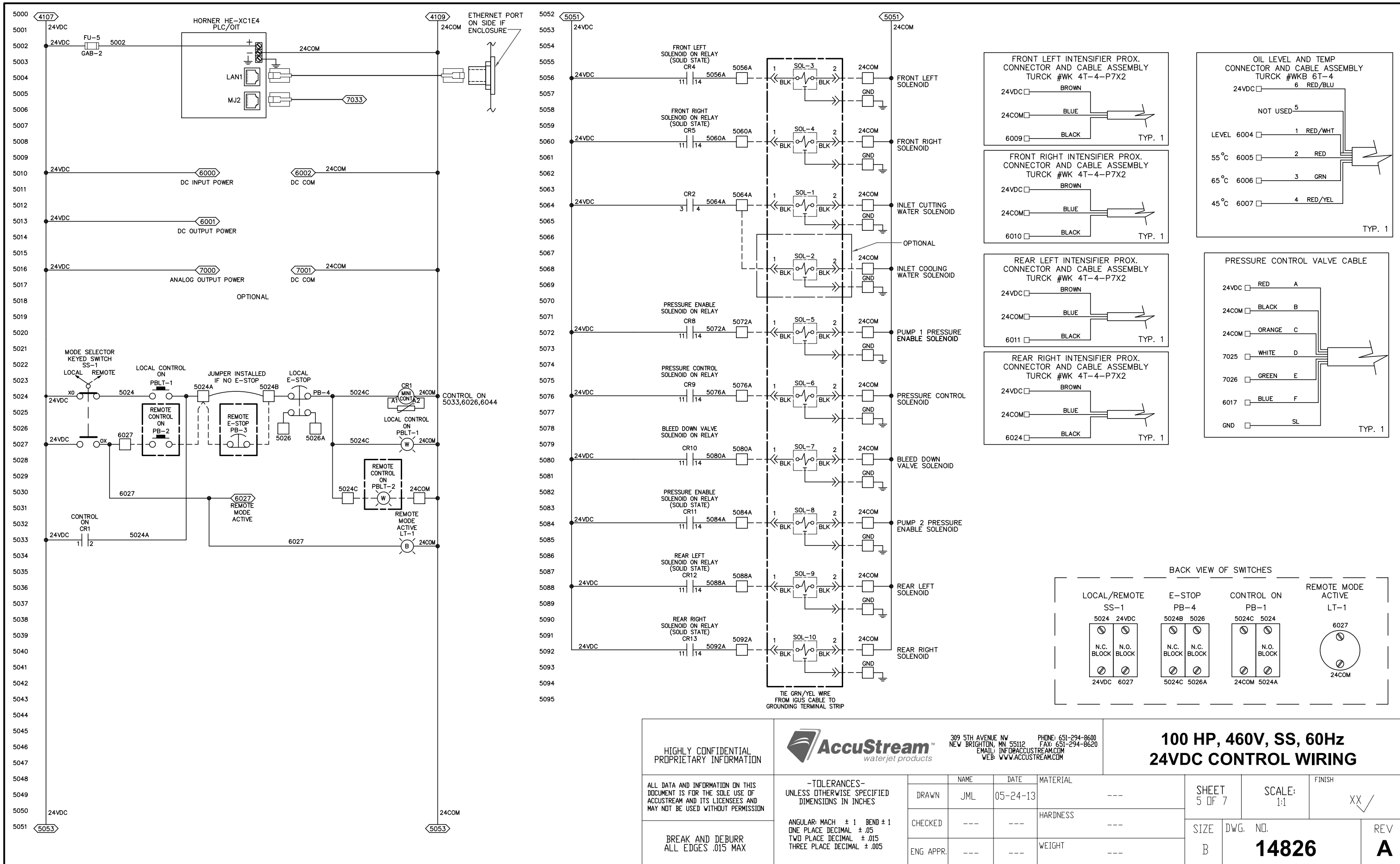
SHIP ONE LOOSE AS SPARE

AIR COOLED HEAT EXCHANGER OPTION				
ITEM	QTY.	MANUFACTURER	DESCRIPTION	PART NO.
18	1	ABB	CONTACTOR MATING CONNECTOR	BEA16-4
19	1	ABB	CONTACTOR, 24VDC COIL, 3 POLE 1 N.O. AUX.	AF09Z-30-10-21
56	1	ABB	MANUAL MOTOR PROTECTOR	MS-116-2.5
46	1	ABB	POWER FEED TERMINAL	S1-M1-25

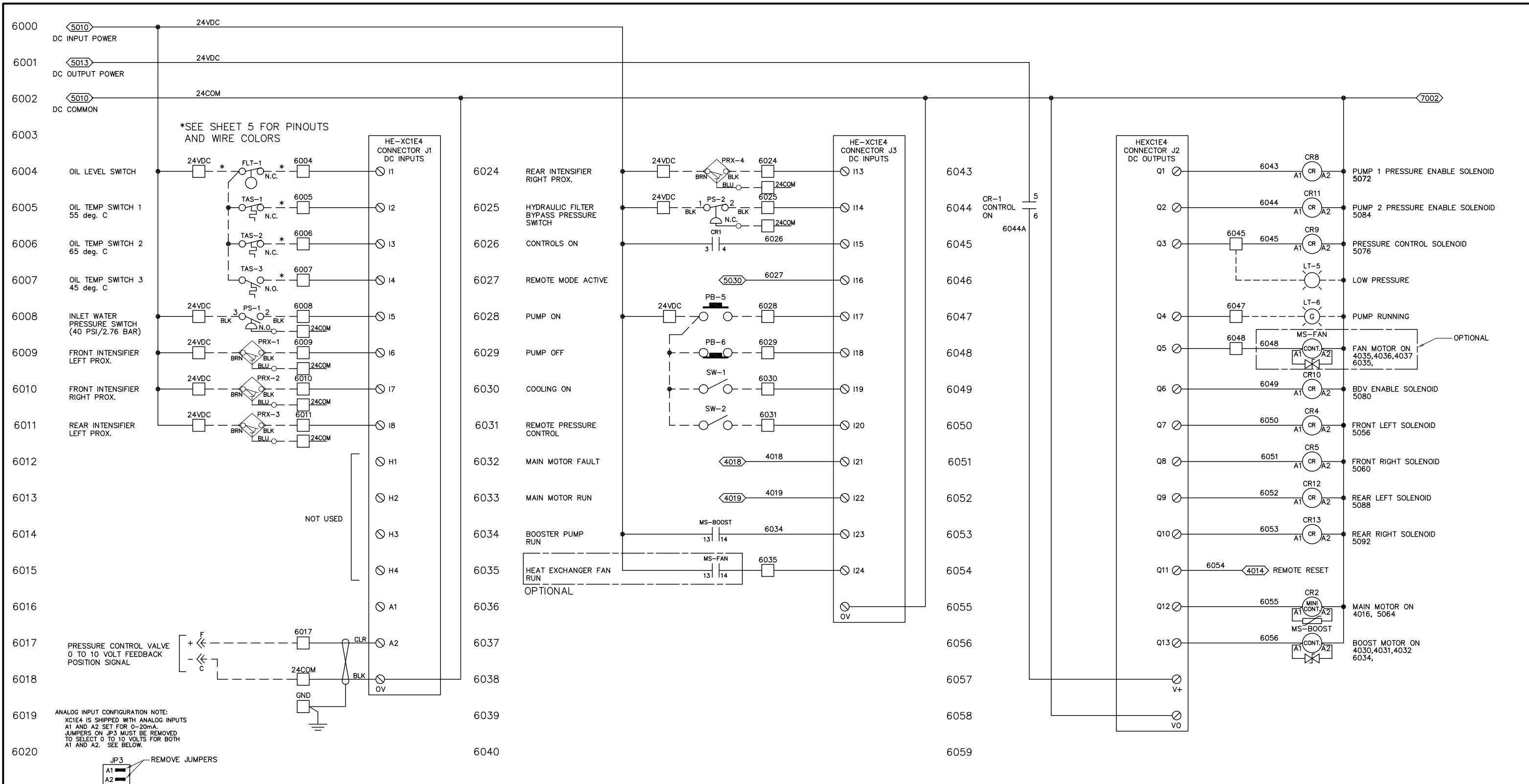
HIGHLY CONFIDENTIAL PROPRIETARY INFORMATION		309 5TH AVENUE NW NEW BRIGHTON, MN 55112		PHONE: 651-294-8600 FAX: 651-294-8620		100 HP, 460V, SS, 60Hz BILL OF MATERIALS			
		EMAIL: INFO@ACCUSTREAM.COM WEB: WWW.ACCUSTREAM.COM							
ALL DATA AND INFORMATION ON THIS DOCUMENT IS FOR THE SOLE USE OF ACCUSTREAM AND ITS LICENSEES AND MAY NOT BE USED WITHOUT PERMISSION	-TOLERANCES- UNLESS OTHERWISE SPECIFIED DIMENSIONS IN INCHES		NAME	DATE	MATERIAL	SHEET 3 OF 7	SCALE: 1:1	FINISH XX ✓	REV A
	BREAK AND DEBURR ALL EDGES .015 MAX	DRAWN	JML	05-24-13	---				
		CHECKED	---	---	HARDNESS ---				
	ENG APPR.	---	---	WEIGHT ---	SIZE B	DWG. NO. 14826			



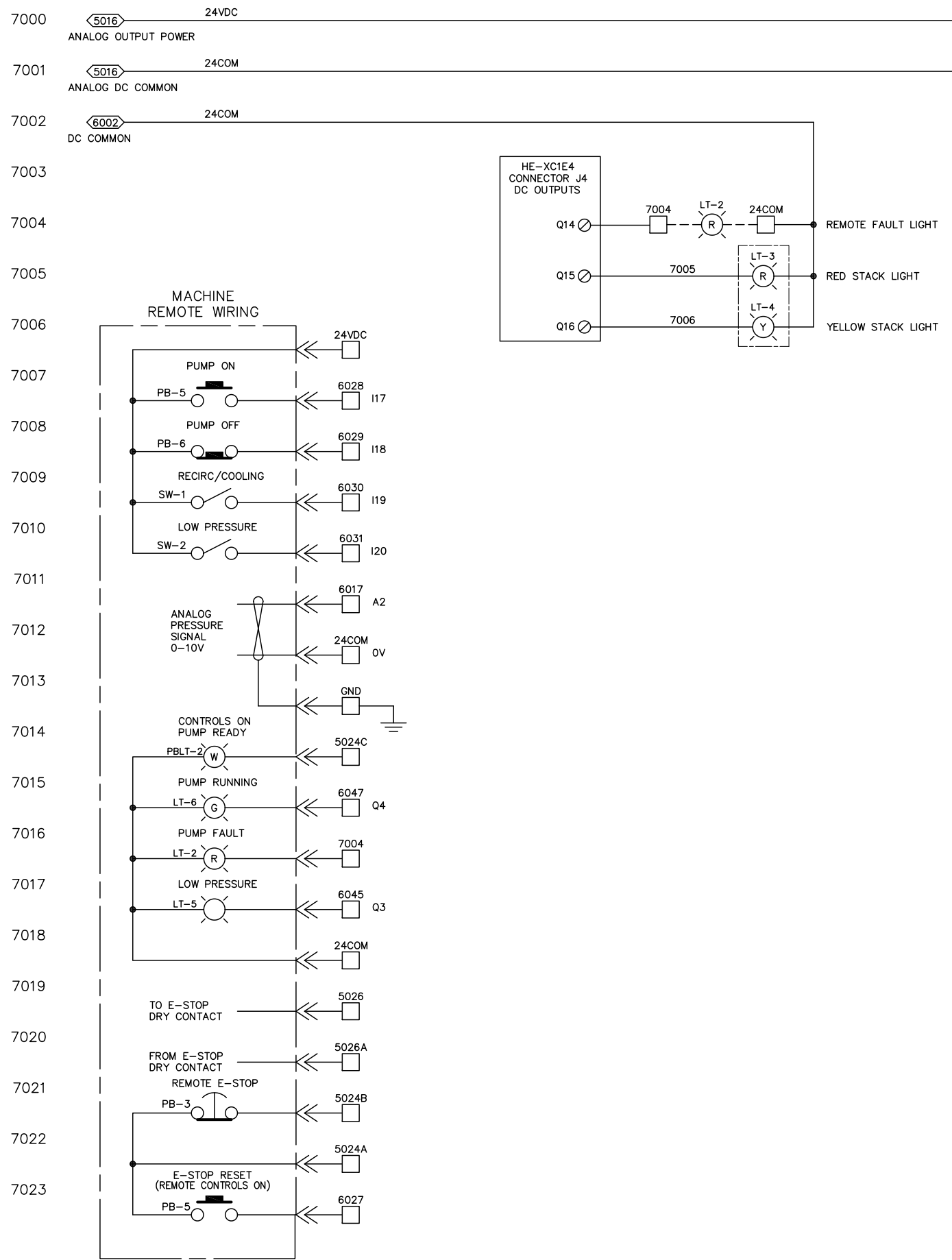
HIGHLY CONFIDENTIAL PROPRIETARY INFORMATION	 <small>309 5TH AVENUE NW NEW BRIGHTON, MN 55112</small> <small>PHONE: 651-294-8600 FAX: 651-294-8620</small> <small>EMAIL: INFO@ACCUSTREAM.COM WEB: WWW.ACCUSTREAM.COM</small>	100 HP, 460V, SS, 60Hz MOTOR AND POWER SUPPLY WIRING																				
		<small>ALL DATA AND INFORMATION ON THIS DOCUMENT IS FOR THE SOLE USE OF ACCUSTREAM AND ITS LICENSEES AND MAY NOT BE USED WITHOUT PERMISSION</small>	<small>-TOLERANCES- UNLESS OTHERWISE SPECIFIED DIMENSIONS IN INCHES</small>	<table border="1"> <thead> <tr> <th>NAME</th> <th>DATE</th> <th>MATERIAL</th> <th>FINISH</th> </tr> </thead> <tbody> <tr> <td>DRAWN</td> <td>JML</td> <td>05-24-13</td> <td>---</td> </tr> <tr> <td>CHECKED</td> <td>---</td> <td>---</td> <td>---</td> </tr> <tr> <td>ENG APPR.</td> <td>---</td> <td>---</td> <td>---</td> </tr> </tbody> </table>	NAME	DATE	MATERIAL	FINISH	DRAWN	JML	05-24-13	---	CHECKED	---	---	---	ENG APPR.	---	---	---	<table border="1"> <tr> <td>SHEET 4 OF 7</td> <td>SCALE: 1:1</td> <td>FINISH XX ✓</td> </tr> </table>	SHEET 4 OF 7
NAME	DATE	MATERIAL	FINISH																			
DRAWN	JML	05-24-13	---																			
CHECKED	---	---	---																			
ENG APPR.	---	---	---																			
SHEET 4 OF 7	SCALE: 1:1	FINISH XX ✓																				
<small>BREAK AND DEBURR ALL EDGES .015 MAX</small>	<small>ANGULAR: MACH ± 1 BEND ± 1 ONE PLACE DECIMAL ± .05 TWO PLACE DECIMAL ± .015 THREE PLACE DECIMAL ± .005</small>	<table border="1"> <tr> <td>SIZE B</td> <td>DWG. NO. 14826</td> <td>REV A</td> </tr> </table>	SIZE B	DWG. NO. 14826	REV A																	
SIZE B	DWG. NO. 14826	REV A																				



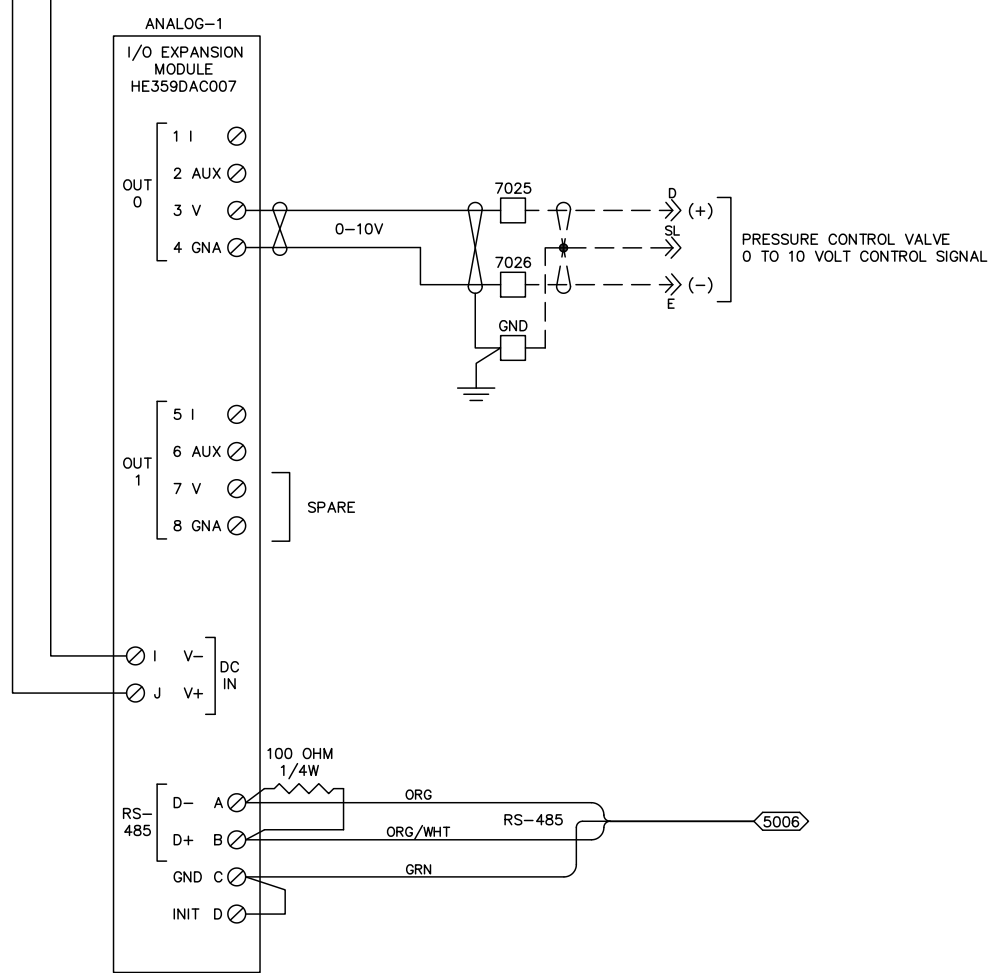
HIGHLY CONFIDENTIAL PROPRIETARY INFORMATION ALL DATA AND INFORMATION ON THIS DOCUMENT IS FOR THE SOLE USE OF ACCUSTREAM AND ITS LICENSEES AND MAY NOT BE USED WITHOUT PERMISSION BREAK AND DEBURR ALL EDGES .015 MAX		309 5TH AVENUE NW NEW BRIGHTON, MN 55112 EMAIL: INFO@ACCUSTREAM.COM WEB: WWW.ACCUSTREAM.COM		PHONE: 651-294-8600 FAX: 651-294-8620		100 HP, 460V, SS, 60Hz 24VDC CONTROL WIRING		
		NAME DATE MATERIAL HARDNESS WEIGHT	DRAWN JML 05-24-13	--- --- ---	SHEET 5 OF 7	SCALE: 1:1	FINISH XX ✓	SIZE B



HIGHLY CONFIDENTIAL PROPRIETARY INFORMATION		309 5TH AVENUE NW NEW BRIGHTON, MN 55112 PHONE: 651-294-8600 FAX: 651-294-8620 EMAIL: INFO@ACCUSTREAM.COM WEB: WWW.ACCUSTREAM.COM		100 HP, 460V, SS, 60Hz PLC WIRING SHEET 1																								
		ALL DATA AND INFORMATION ON THIS DOCUMENT IS FOR THE SOLE USE OF ACCUSTREAM AND ITS LICENSEES AND MAY NOT BE USED WITHOUT PERMISSION.	-TOLERANCES- UNLESS OTHERWISE SPECIFIED DIMENSIONS IN INCHES ANGULAR: MACH ± 1 BEND ± 1 ONE PLACE DECIMAL ± .05 TWO PLACE DECIMAL ± .015 THREE PLACE DECIMAL ± .005	<table border="1"> <thead> <tr> <th>NAME</th> <th>DATE</th> <th>MATERIAL</th> </tr> </thead> <tbody> <tr> <td>DRAWN</td> <td>JML</td> <td>05-24-13</td> </tr> <tr> <td>CHECKED</td> <td>---</td> <td>---</td> </tr> <tr> <td>ENG APPR.</td> <td>---</td> <td>---</td> </tr> </tbody> </table>	NAME	DATE	MATERIAL	DRAWN	JML	05-24-13	CHECKED	---	---	ENG APPR.	---	---	<table border="1"> <thead> <tr> <th>SHEET</th> <th>SCALE:</th> <th>FINISH</th> </tr> </thead> <tbody> <tr> <td>6 OF 7</td> <td>1:1</td> <td>XX ✓</td> </tr> </tbody> </table>	SHEET	SCALE:	FINISH	6 OF 7	1:1	XX ✓	<table border="1"> <thead> <tr> <th>SIZE</th> <th>DWG. NO.</th> <th>REV</th> </tr> </thead> <tbody> <tr> <td>B</td> <td>14826</td> <td>A</td> </tr> </tbody> </table>	SIZE	DWG. NO.	REV	B
NAME	DATE	MATERIAL																										
DRAWN	JML	05-24-13																										
CHECKED	---	---																										
ENG APPR.	---	---																										
SHEET	SCALE:	FINISH																										
6 OF 7	1:1	XX ✓																										
SIZE	DWG. NO.	REV																										
B	14826	A																										



7024
7025
7026
7027
7028
7029
7030
7031
7032
7033
7034
7035
7036
7037
7038
7039
7040



HIGHLY CONFIDENTIAL PROPRIETARY INFORMATION	 <small>309 5TH AVENUE NW NEW BRIGHTON, MN 55112 PHONE: 651-294-8600 FAX: 651-294-8620 EMAIL: INFO@ACCUSTREAM.COM WEB: WWW.ACCUSTREAM.COM</small>		100 HP, 460V, SS, 60Hz PLC WIRING SHEET 2																			
							<small>ALL DATA AND INFORMATION ON THIS DOCUMENT IS FOR THE SOLE USE OF ACCUSTREAM AND ITS LICENSEES AND MAY NOT BE USED WITHOUT PERMISSION</small>	<small>-TOLERANCES- UNLESS OTHERWISE SPECIFIED DIMENSIONS IN INCHES</small>	<small>ANGULAR: MACH ± 1 BEND ± 1 ONE PLACE DECIMAL ± .05 TWO PLACE DECIMAL ± .015 THREE PLACE DECIMAL ± .005</small>	<table border="1"> <tr> <th>NAME</th> <th>DATE</th> <th>MATERIAL</th> </tr> <tr> <td>DRAWN JML</td> <td>05-24-13</td> <td>---</td> </tr> <tr> <td>CHECKED ---</td> <td>---</td> <td>HARDNESS ---</td> </tr> <tr> <td>ENG APPR. ---</td> <td>---</td> <td>WEIGHT ---</td> </tr> </table>	NAME	DATE	MATERIAL	DRAWN JML	05-24-13	---	CHECKED ---	---	HARDNESS ---	ENG APPR. ---	---	WEIGHT ---
NAME	DATE	MATERIAL																				
DRAWN JML	05-24-13	---																				
CHECKED ---	---	HARDNESS ---																				
ENG APPR. ---	---	WEIGHT ---																				
SHEET 7 OF 7	SCALE: 1:1	FINISH XX ✓																				
SIZE B	DWG. NO. 14826	REV A																				