



Hypertherm®

Cut with confidence®

Service Announcement

To: All Authorized Hypertherm Service Partners, Sales and Service Associates

From: Sara Mancell, Product Marketing Manager – Waterjet
Heath Edwards & Jorge Santana, Global Service Engineers

Date: February 16th 2015

New Hydraulic Oil Filter for HyPrecision Pumps

Summary: On February 16th, 2015, Hypertherm Waterjet began using a new hydraulic oil filter and filter head assembly on all HyPrecision waterjet pumps.

Details: The new filter improves the oil flow capacity and makes the need for filter replacement more easily identifiable. An indicator on the new filter housing shows the differential in pre- and post-filter pressure replacing a gauge on the previous version. Once the indicator reaches RED, the filter should be replaced. The inlet and outlet connections to the filter housing are slightly modified to accommodate the new filter. The new filter is not backwards compatible however the filter used prior to this change can remain on pumps in the field with very low risk. The new filter and attached insert accompany all HyPrecision pumps shipped since February 16th, 2015. Replacement part numbers are listed below. Note that the new filter housing will change from orange back to black in the near term.

Replacement filter: 16025 HYD: FILTER, 9 MICRON, HP/HPS

Replacement filter head assembly: 16026 HYD; FILTER HEAD ASSEMBLY WITH DUAL INDICATORS



Previous Filter



New Filter

These components replace part numbers 13588, 13589, 13590, 14960, 15517 on HyPrecision waterjet pumps shipped after February 16th, 2015.

For pumps shipped before this date existing replacement parts are still available.

For additional information, please contact your local Hypertherm Technical Service Representative: *(Email is preferred)*

North America: TechnicalService-Hanover@Hypertherm.com

South America: TechnicalService-LANZA@Hypertherm.com

Europe: TechnicalService-HyperthermEurope@Hypertherm.com

China and RoA: TechnicalService-Asia@Hypertherm.com

Although e-mail is preferred, customers may also call Technical Service for support via the following numbers

North America: 1-800-643-9878

South America: + 55 (11) 2409 2636

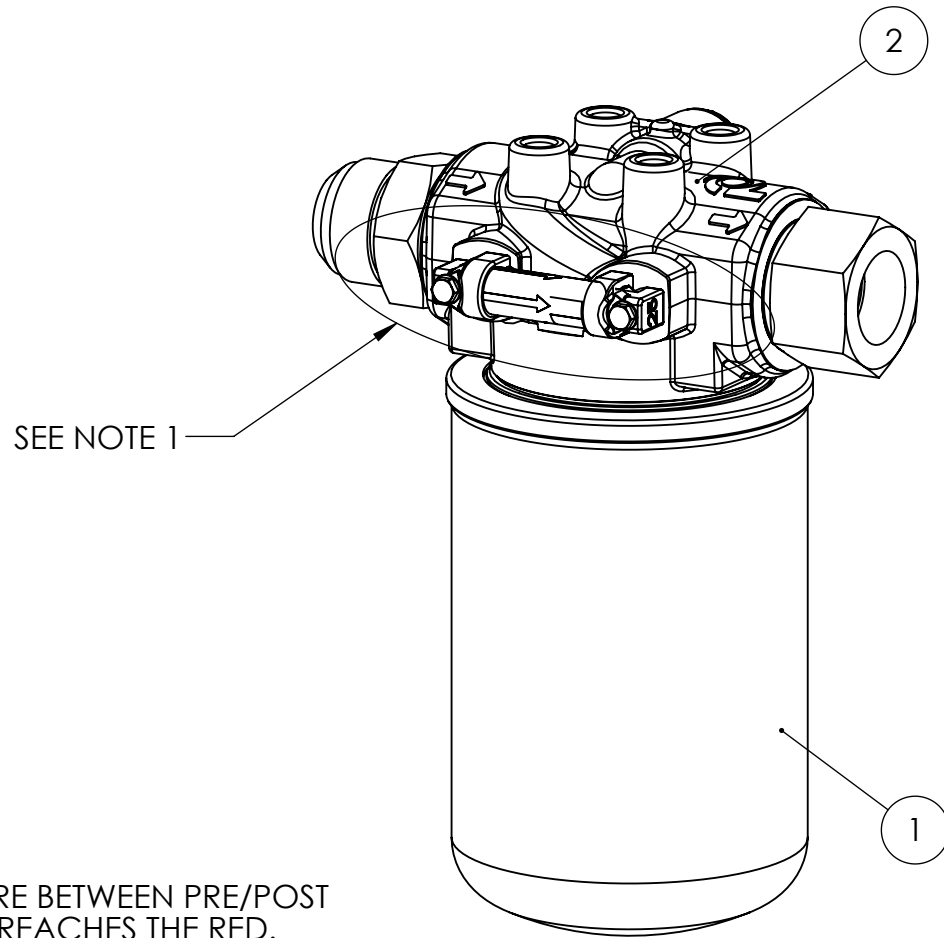
Europe: 00 800 4973 7843 (Toll Free) or +31(0) 165 596900

Asia: Singapore - 65 6841 2489, China 86-21-60740003

Ref: Drawing 16091 Rev A (attached)

:

ITEM NO.	Number	DESCRIPTION	QTY.
1	16025	HYD; FILTER, 9 MICRON, HP/HPS	1
2	16026	HYD; FILTER HEAD ASSEMBLY WITH DUAL INDICATORS	1



NOTES:

- INDICATORS SHOW THE DIFFERENTIAL PRESSURE BETWEEN PRE/POST FILTER. REPLACE THE FILTER ONCE THE INDICATOR REACHES THE RED.
- THESE COMPONENTS WILL REPLACE PNs 13588, 13589, 13590, 14960 & 15517 ON PUMPS SHIPPED AFTER 2/16/2015.

**HIGHLY CONFIDENTIAL
PROPRIETARY INFORMATION**

Hypertherm

309 5TH AVENUE NW PHONE: 651-294-8600
NEW BRIGHTON, MN 55112 FAX: 651-294-8620
EMAIL: WATERJET@HYPERTHERM.COM
WEB: WWW.HYPERTHERM.COM

TITLE:

DOCUMENT; HYDRAULIC FILTER ASSEMBLY,
HYPRECISION/HYPRECISION S

THIS DRAWING AND ALL INFORMATION
CONTAINED THEREON IS CONSIDERED
PROPRIETARY AND MAY NOT BE USED FOR
MANUFACTURING OR FABRICATION PURPOSES
WITHOUT PERMISSION FROM HYPERTHERM, INC.

-TOLERANCES-
UNLESS OTHERWISE SPECIFIED
DIMENSIONS IN INCHES

ANGULAR: MACH ± 1 BEND ± 1
ONE PLACE DECIMAL ± .05
TWO PLACE DECIMAL ± .015
THREE PLACE DECIMAL ± .005
BREAK AND DEBURR
ALL EDGES .015 MAX

	NAME	DATE	MATERIAL
DRAWN	PTF	2/18/2015	
CHECKED			HARDNESS
ENG APPR.			WEIGHT

SHEET	SCALE:	FINISH
1 OF 1	1:2	
SIZE	DWG. NO.	REV
A	16091	A

