

2014 HyPrecision Waterjet Products – Selection Guide



Maintenance Tool Kits

- **12084 – HyPrecision Standard Tool Kit**

- (1) 11985 – Seal Housing Removal Tool
- (1) 11558 – Seal Insertion Locator Tool
- (1) 11811 – Seal Insertion Sleeve
- (1) 11812 – Seal Insertion Push Tool
- (1) 12932 – Seal Installation Spacer Tool
- (1) 12091 – 3/4" Drive Torque Wrench (60-300 lb-fts)
- (1) 12019 – 3/4" X 13.5" Hex Driver
- (1) 12020 – 3/4" Hex X 3/4" Deep Square Drive
- (1) 12021 – 1-1/2 Hex X 3/4" Square Drive Socket
- (1) 12774 – Case
- (6) 11210-12 – 12 Micron Lapping Paper
- (6) 11210-15 – 15 Micron Lapping Paper
- (1) 11448 – Accu Goop, 4 oz
- (1) 13281 – 9 X 12 X 2 Surface Plate
- (1) 13972 – Water Filter Wrench

- **15518 – HyPrecision Premium Tool Kit**

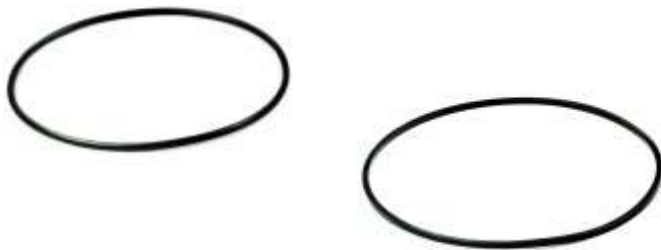
- (1) 12084 – HyPrecision Standard Tool Kit
- (1) 15440 – 1/4" & 3/8" Coning and Threading Tools Kit
- (1) 13269 – HP Tube Bender Assembly



Hypertherm
Cut with confidence®

HyPrecision HP Seal Kit

- 15563 – Premium HP Seal Kit, HyPrecision
 - (4) 11018 – Hoop, 1.000 Inch Plunger
 - (4) 11024 – HP Seal Assembly, 1.000 Inch Plunger
 - (1) 11447 – High Vacuum Grease, 5 Grams
 - (2) 11610 – Seal Backup
 - (2) 11090 – Rod Seal, 1.000 Inch, Black
 - (4) 11679-035 – -035 Oring
 - (2) 11679-031 – -031 Oring
 - (2) 11680-035 – -035 Backup Ring



HyPrecision Poppet Kits

- 15565 – Poppet Kit, HyPrecision Basic
 - (2) 11014 – HP Poppet
 - (2) 11126 – HP Poppet Spring
 - (2) 11015 – HP Seat
 - (2) 14792 – LP Poppet
 - (2) 13907 – LP Poppet Spring
 - (2) 15564 – Cotton Swab



- 15568 – Poppet Kit, HyPrecision S-Series
 - (2) 11014 – HP Poppet
 - (2) 11126 – HP Poppet Spring
 - (2) 11015 – HP Seat
 - (2) 11526 – LP Poppet
 - (2) 15564 – Cotton Swab



Replacement Parts Spares Kits

- **15566 – Standard Spares Kit, HyPrecision Basic**

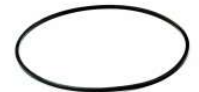
- (2) 15563 – Premium HP Seal Kit, HyPrecision
- (1) 15565 – Poppet Kit, HyPrecision Basic
- (2) 11669 – Indicator Spring
- (2) 11679-013 – -013 Oring
- (2) 11680-013 – -013 Backup Ring
- (2) 15564 – Cotton Swab
- (1) 11105 – Water Filter, 0.45 Micron, 10 Inch
- (1) 11106 – Water Filter, 1 Micron, 10 Inch
- (1) 13588 – Hydraulic Filter, 10 Micron, Absolute



Replacement Parts Spares Kits

- **15569 – Standard Spares Kit, HyPrecision S-Series**

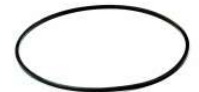
- (2) 15563 – Premium HP Seal Kit, HyPrecision
- (1) 15568 – Poppet Kit, HyPrecision S-Series
- (1) 12981 – AS Bleed Down Valve II Kit
- (2) 11669 – Indicator Spring
- (2) 11679-013 – -013 Oring
- (2) 11680-013 – -013 Backup Ring
- (2) 15564 – Cotton Swab
- (1) 11105 – Water Filter, 0.45 Micron, 10 Inch
- (1) 11106 – Water Filter, 1 Micron, 10 Inch
- (1) 11107 – Water Filter, 10 Micron, 10 Inch
- (1) 14960 – Hydraulic Filter, 9 Micron, Absolute



Replacement Parts Spares Kits

- **15570 – Standard Spares Kit, HyPrecision D-Series**

- (4) 15563 – Premium HP Seal Kit, HyPrecision
- (2) 15568 – Poppet Kit, HyPrecision S-Series
- (1) 12981 – AS Bleed Down Valve II Kit
- (4) 11669 – Indicator Spring
- (4) 11679-013 – -013 Oring
- (4) 11680-013 – -013 Backup Ring
- (4) 15564 – Cotton Swab
- (1) 11105 – Water Filter, 0.45 Micron, 10 Inch
- (1) 11106 – Water Filter, 1 Micron, 10 Inch
- (1) 11107 – Water Filter, 10 Micron, 10 Inch
- (1) 12719 – Hydraulic Filter Element for 40CN2 Coreless



Cutting Head Combinations

- HyPrecision Cutting Head Options
 - Abrasive DiaLine Orifice/Nozzle Combinations:

	.007/ .020	.010/ .030	.011/ .030	.012/ .030	.012/ .035	.013/ .040	.014/ .040	.015/ .040	.016/ .040
HyPrecision 15	X								
HyPrecision 30	X	X	X						
HyPrecision 50	X	X	X	X	X	X	X		
HyPrecision 50S	X	X	X	X	X	X	X	X	
HyPrecision 60S	X	X	X	X	X	X	X	X	X
HyPrecision 75S	X	X	X	X	X	X	X	X	X
HyPrecision 100D	X	X	X	X	X	X	X	X	X
HyPrecision 150D	X	X	X	X	X	X	X	X	X



Cutting Head Combinations

- HyPrecision Cutting Head Options
 - Water-only Orifice Options

	.004	.005	.006	.007	.010
HyPrecision 15	X	X	X	X	
HyPrecision 30	X	X	X	X	X
HyPrecision 50	X	X	X	X	X
HyPrecision 50S	X	X	X	X	X
HyPrecision 60S	X	X	X	X	X
HyPrecision 75S	X	X	X	X	X
HyPrecision 100D	X	X	X	X	X
HyPrecision 150D	X	X	X	X	X

Typical water-only applications utilize multiple .005" orifices



Hypertherm
Cut with confidence®

Cutting Head Combinations

- HyPrecision 15 / 30 / 50 Orifice Options

HyPrecision 15		in (mm) - 50/60 Hz
Orifice Size	1 orifice	0.007 (0.18)
	2 orifices	0.005 (0.13)
	3 orifices	0.004 (0.10)
	4 orifices	-
	5 orifices	-
	6 orifices	-

HyPrecision 50		in (mm) - 50/60 Hz
Orifice Size	1 orifice	0.014 (0.35)
	2 orifices	0.010 (0.25)
	3 orifices	0.008 (0.20)
	4 orifices	0.007 (0.18)
	5 orifices	0.006 (0.15)
	6 orifices	0.005 (0.13)

HyPrecision 30		in (mm) - 50/60 Hz
Orifice Size	1 orifice	0.011 (0.28)
	2 orifices	0.007 (0.18)
	3 orifices	0.006 (0.15)
	4 orifices	0.005 (0.13)
	5 orifices	0.004 (0.10)
	6 orifices	0.004 (0.10)

- HyPrecision 50S / 60S / 75S Orifice Options

HyPrecision 50S		in (mm) - 50 Hz	in (mm) - 60 Hz
Orifice Size	1 orifice	0.014 (0.35)	0.015 (0.38)
	2 orifices	0.010 (0.25)	0.010 (0.25)
	3 orifices	0.008 (0.20)	0.008 (0.20)
	4 orifices	0.007 (0.18)	0.007 (0.18)
	5 orifices	0.006 (0.15)	0.006 (0.15)
	6 orifices	0.005 (0.13)	0.005 (0.13)

HyPrecision 75S		in (mm) - 50 Hz	in (mm) - 60 Hz
Orifice Size	1 orifice	0.017 (0.43)	0.018 (0.46)
	2 orifices	0.012 (0.30)	0.013 (0.33)
	3 orifices	0.010 (0.25)	0.010 (0.25)
	4 orifices	0.009 (0.23)	0.009 (0.23)
	5 orifices	0.008 (0.20)	0.008 (0.20)
	6 orifices	0.007 (0.18)	0.007 (0.18)

HyPrecision 60S		in (mm) - 50 Hz	in (mm) - 60 Hz
Orifice Size	1 orifice	0.016 (0.41)	0.016 (0.41)
	2 orifices	0.011 (0.28)	0.011 (0.28)
	3 orifices	0.009 (0.23)	0.009 (0.23)
	4 orifices	0.008 (0.20)	0.008 (0.20)
	5 orifices	0.007 (0.18)	0.007 (0.18)
	6 orifices	0.006 (0.15)	0.006 (0.15)

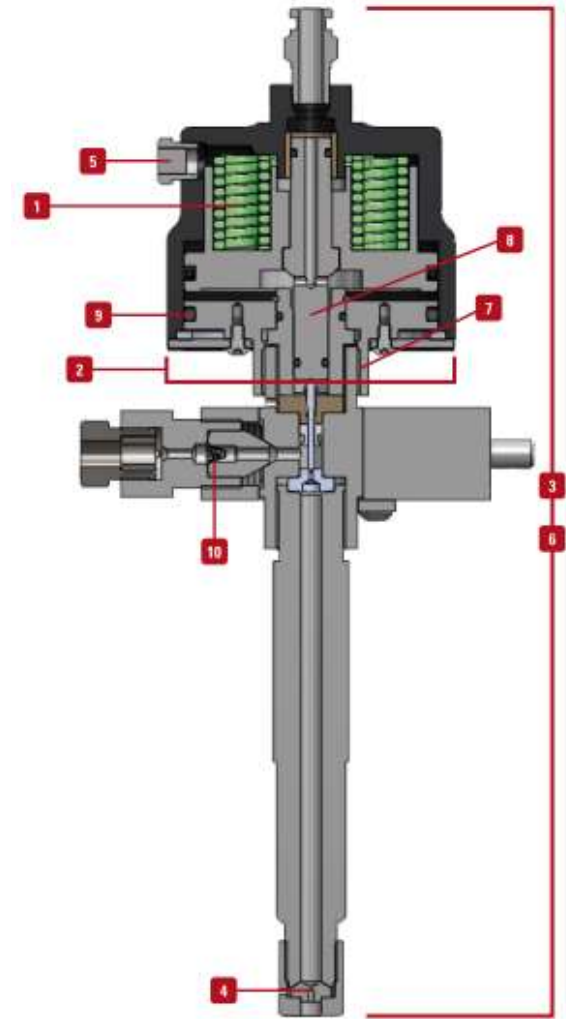
- HyPrecision 100D / 150D Orifice Options

HyPrecision 100D		in (mm) - 50 Hz	in (mm) - 60 Hz
Orifice Size	1 orifice	0.020 (0.51)	0.021 (0.53)
	2 orifices	0.014 (0.36)	0.015 (0.38)
	3 orifices	0.011 (0.28)	0.011 (0.28)
	4 orifices	0.010 (0.25)	0.010 (0.25)
	5 orifices	0.009 (0.23)	0.009 (0.23)
	6 orifices	0.008 (0.20)	0.008 (0.20)

HyPrecision 150D		in (mm) - 50 Hz	in (mm) - 60 Hz
Orifice Size	1 orifice	0.024 (0.61)	0.025 (0.64)
	2 orifices	0.017 (0.43)	0.018 (0.46)
	3 orifices	0.014 (0.36)	0.014 (0.36)
	4 orifices	0.012 (0.30)	0.013 (0.33)
	5 orifices	0.011 (0.28)	0.011 (0.28)
	6 orifices	0.010 (0.25)	0.010 (0.25)

Cutting Head Combinations

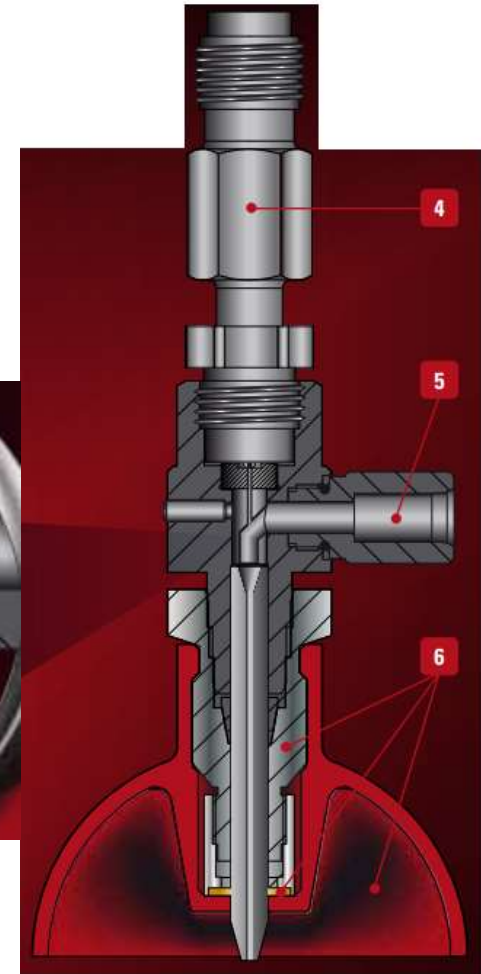
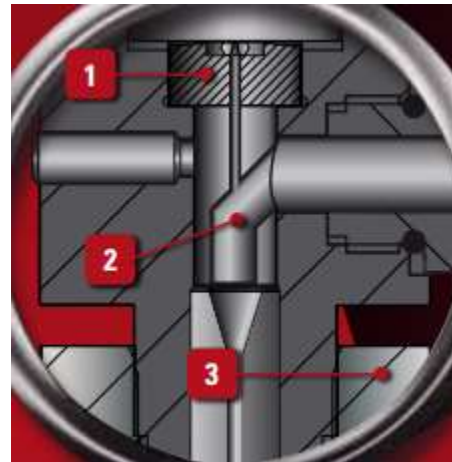
1. Vanadium steel die springs: .45 ms/open, 150 ms/close
2. Compact design allows closer head placement
3. Components manufactured to exceptionally high tolerances
4. Ruby or diamond orifice (AccuStream style)
5. Valve turns off with loss of air pressure (NC)
6. Stainless steel components (maximum longevity)
7. Stainless steel connections eliminate premature wear points
8. Hardened stainless steel actuator shaft reduces wear
9. Long life piston u-cup seal doubles actuator seal life
10. Thimble filter to extend orifice life



Hypertherm
Cut with confidence®

Cutting Head Combinations

1. Diamond Orifice
2. Carbide Mixing Chamber
3. Nozzle Nut
4. Adapter, AccuValve to DiaLine
5. 3/8" Abrasive Inlet
6. 3" Nozzle Nut with Nozzle Guard



Hypertherm
Cut with confidence®

Abrasive Delivery Products

- 13762 – HyPrecision Abrasive Regulator
 - Adjustment on the fly
 - Easily disassemble for cleaning
- 11202 – HyPrecision Bulk Abrasive Pot, 800# Capacity*
 - Screen for prefiltering abrasive when filling tank
 - 110VAC low-level sensor
 - 30 feet of 3/4 inch flexible tubing
 - Integrated air regulator and discharge ball valve



Pump to Whip Plumbing Kits

- 15578 – Pump-mounted Plumbing Kit

Pump to Whip Plumbing Kits

- 15579 – Wall-mounted Plumbing Kit

Pump to Whip Plumbing Kits

- 15780 – Floor-mounted Plumbing Kit

Whip Plumbing Kits

- 15581 – Single Whip Assembly
- 15582 – Dual Whip Assembly

Cutting Head Plumbing Kits

- 15583 – Cutting Head Plumbing, Single Head / Single Whip



- 15585 – Cutting Head Plumbing, Single Head / Dual Whip



Cutting Head Plumbing Kits

- 15584 – Cutting Head Plumbing, Dual Head / Single Whip

High-Pressure Plumbing Accessories



High-Pressure Filters and Gauges



Accessories

- 15084 – Reverse Osmosis System, 500 GPD*



- 13899 – Reverse Osmosis System, 2000 GPD*



Accessories

- **14752 – High-Pressure Block and Bleed**
 - Easily and safely isolate multiple cells operating off of the same pump.
 - Combines a normally closed valve to stop high-pressure water flowing to cell, and a normally open valve to bleed off high-pressure water remaining in the cell
 - Each production cell should utilize one

Accessories

- 11124W – White Waterjet Brick
- 11124B – Black Waterjet Brick
- Utilize laminated flute pattern – minimizes splash back
- Part retention for small, detailed parts
- Plate support for cutting thin or flexible materials (i.e., shim stock, rubber gasket, etc.)
- Draws water and abrasive away from cutting surface – cleaner cutting area



