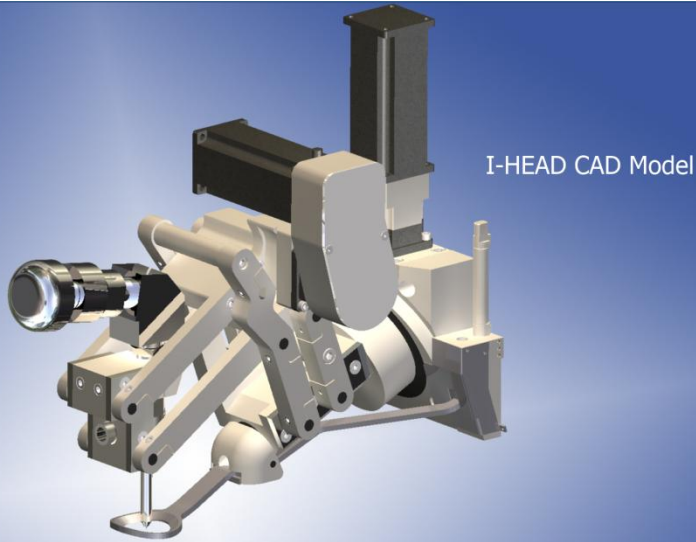


I-HEAD V4 Cutting Head



Specification

- Weight : ~15 kg
- Angle limit : 0-46°
- Mechanical TCP
- Backplate to Nozzle center : 297 mm
- Width : 265 mm
- Height : 265 mm
- Material : Anodized aluminum

Included parts

- Anodized aluminum design
- All stainless steel screws
- Stainless steel deep groove ball bearings
- Double lip shaft seals
- Height sensor
- Airdriven pneumatic cylinder for height sensor
- 2 Spinea TS 50-63 bearing reducers
- KMT IDE Mixing tube
- Projet nozzle body
- Flow dual axis swivel
- Timing belt and pulleys

Parts not included

- Servo motors
- Height sensor probe

