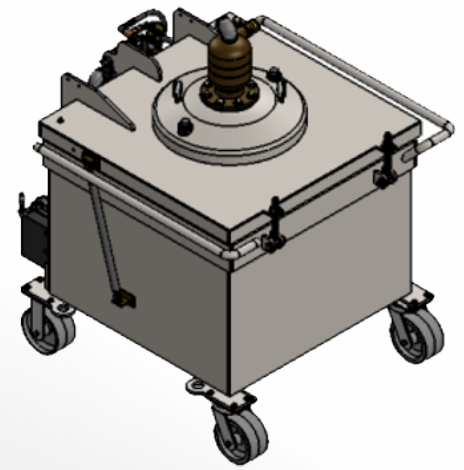




**COMPLETE
METALWORKING
SOLUTIONS**

(800) 991-4225
www.ahbinc.com
ISO Certified
customerservice@ahbinc.com



“The long-term mission of The Extractor Company is to be the most innovative customer satisfaction driven garnet removal and slurry processing company in the waterjet industry.”

Machines



Garnet Gun



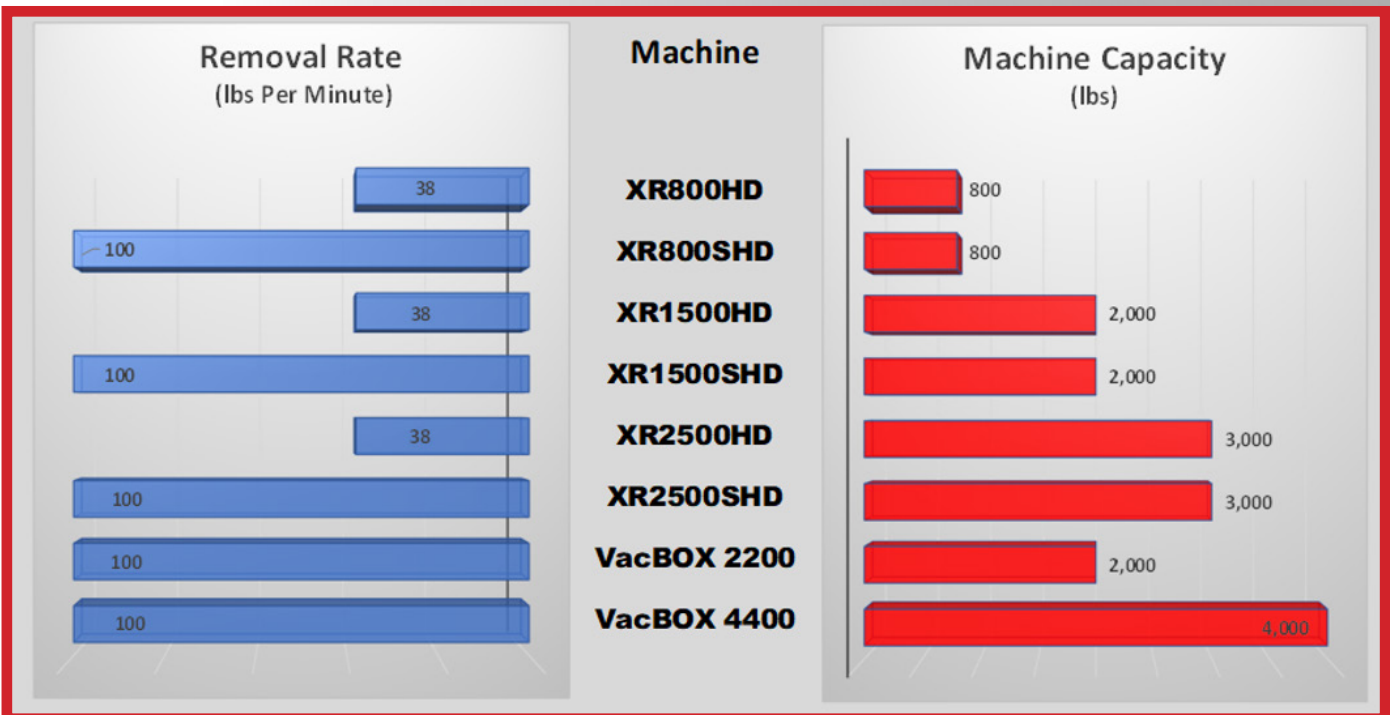
HD



SHD



VacBOX



Garnet Gun

- 3000 PSI at 2.7 GPM pressure washer needed to run machine
- Settles material into a 55 gal. drum or bulk bag
- Change direction of water to break up hard compact clay & material
- Small design for easy storage when not in use



HD Machines

- Sandpiper HDF1 diaphragm pump
- Qty: 2 - 1" x 144" suction & discharge hoses
- Brand HP65 hydraulic hand pump
- 2500 PSI 2 x 10 tie rod chief hydraulic arm
- Cross-flow separator with sealed holding changer & bottom dump door



SHD Machines

- Sandpiper HDF2 diaphragm pump
- Qty: 2 - 1" x 192" discharge hose
- Qty: 1 - 1.5" x 192 suction hose
- Brand HP65 hydraulic hand pump
- 2500 PSI 2 x 10 tie rod chief hydraulic arm
- Cross-flow separator with sealed holding changer & bottom dump door



VacBOX Machines

- Sandpiper HDF2 diaphragm pump
- Garnet suction/discharge nozzle assembly
- Suction/discharge hose with quick release brass CAM lock fittings
- Garden hose to pump flush out adapter
- Full 1 year warranty

