

# AHB

TOOLING & MACHINERY

COMPLETE METALWORKING SOLUTIONS

(800) 991-4225

[www.ahbinc.com](http://www.ahbinc.com)

ISO Certified

[customerservice@ahbinc.com](mailto:customerservice@ahbinc.com)

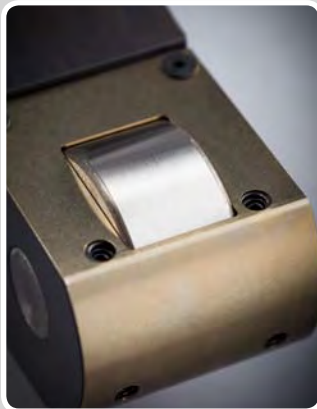
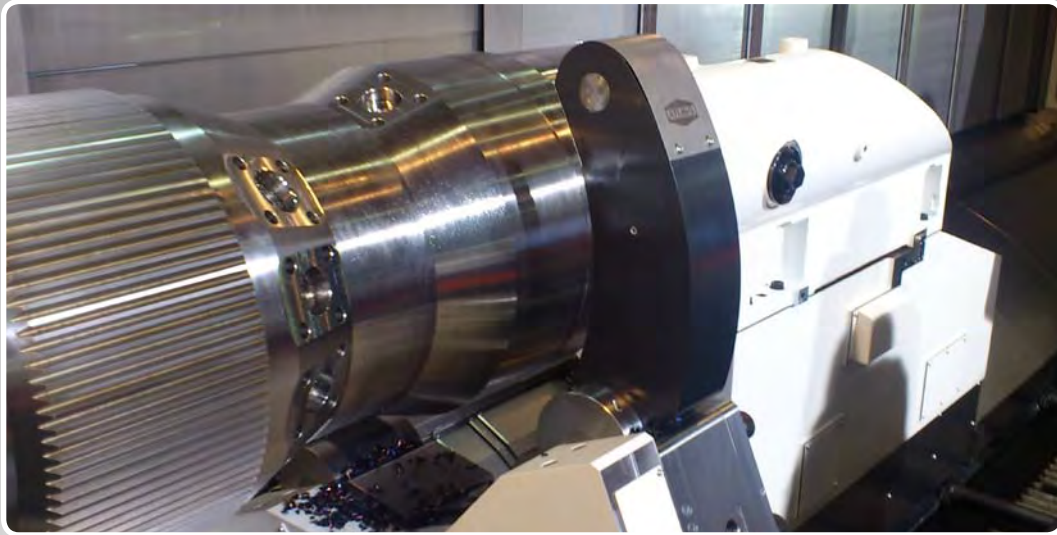
ATLING

**THE NEXT GENERATION  
SELF CENTERING STEADY RESTS**



ATLING  
[www.ahbinc.com](http://www.ahbinc.com)





# About Atlings Maskinfabrik AB

Atlings Maskinfabrik AB was founded in 1947. It's an independent company in the Group Inducore. The company's success is based on its technical excellence, world-class manufacturing and collaboration with qualified distributors world wide.

Atlings have been producing Steady Rests since 1976. Thanks to Atlings modern machine park we are able to manufacture all the parts for the Atling Steady Rest with high quality and precision. The dedicated market for the companies product are automotive, aerospace, railways, energy and industrial markets.

The close cooperation between our engineers and the customer, creates a quick response to our distributor, and is the key to find the best possible solution. That is a special strength that Atlings is proud of.

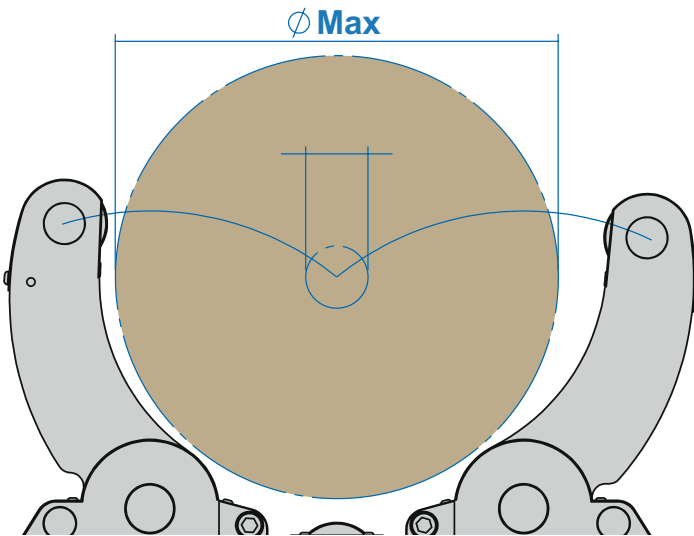
Over the years, Atlings have made a wide range of special designs to fulfill their customers' needs and desires.

The Atling products are engineered and manufactured in Sweden and sold by a world wide sales and marketing organization.

PART OF  inducore

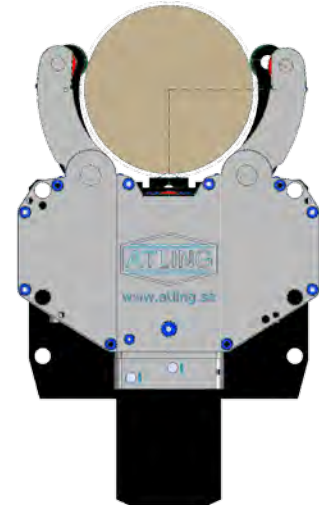
Atlings is part of the Swedish industrial group Inducore, active in the area of truck bodies, systems solutions, and component manufacturing.

# Gripping Range



# Slim design

Atling size (AX4I-AX11I) comparison competitors.



## Gripping Range AX-series (mm)

Model	AX1	AX2	AX3	AX4	AX5	AX6	AX7	AX8	AX8,5	AX8,7	AX9	AX10	AX11
Gripping range	6-70	8-105	12-125	12-160	20-200	30-255	45-320	85-360	100-430	140-470	100-510	250-680	450-870

page 6

## Gripping Range S-series (mm)

Model	AS6	AS7	AS8
Gripping range	30-255	45-320	85-360

page 19

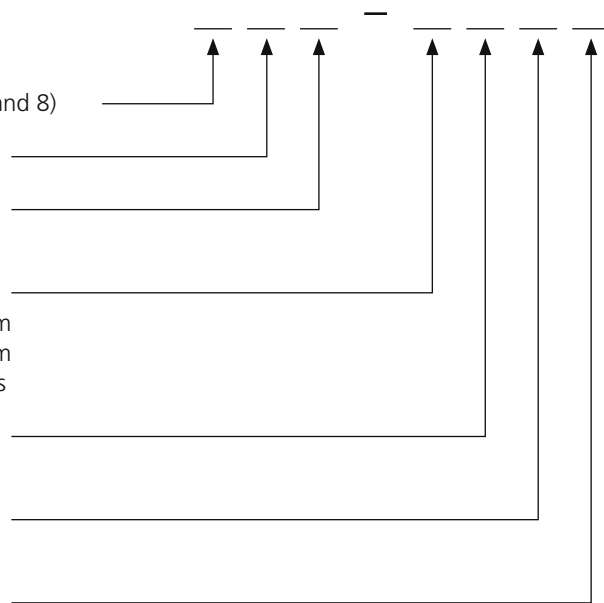
## Gripping Range N-series (mm)

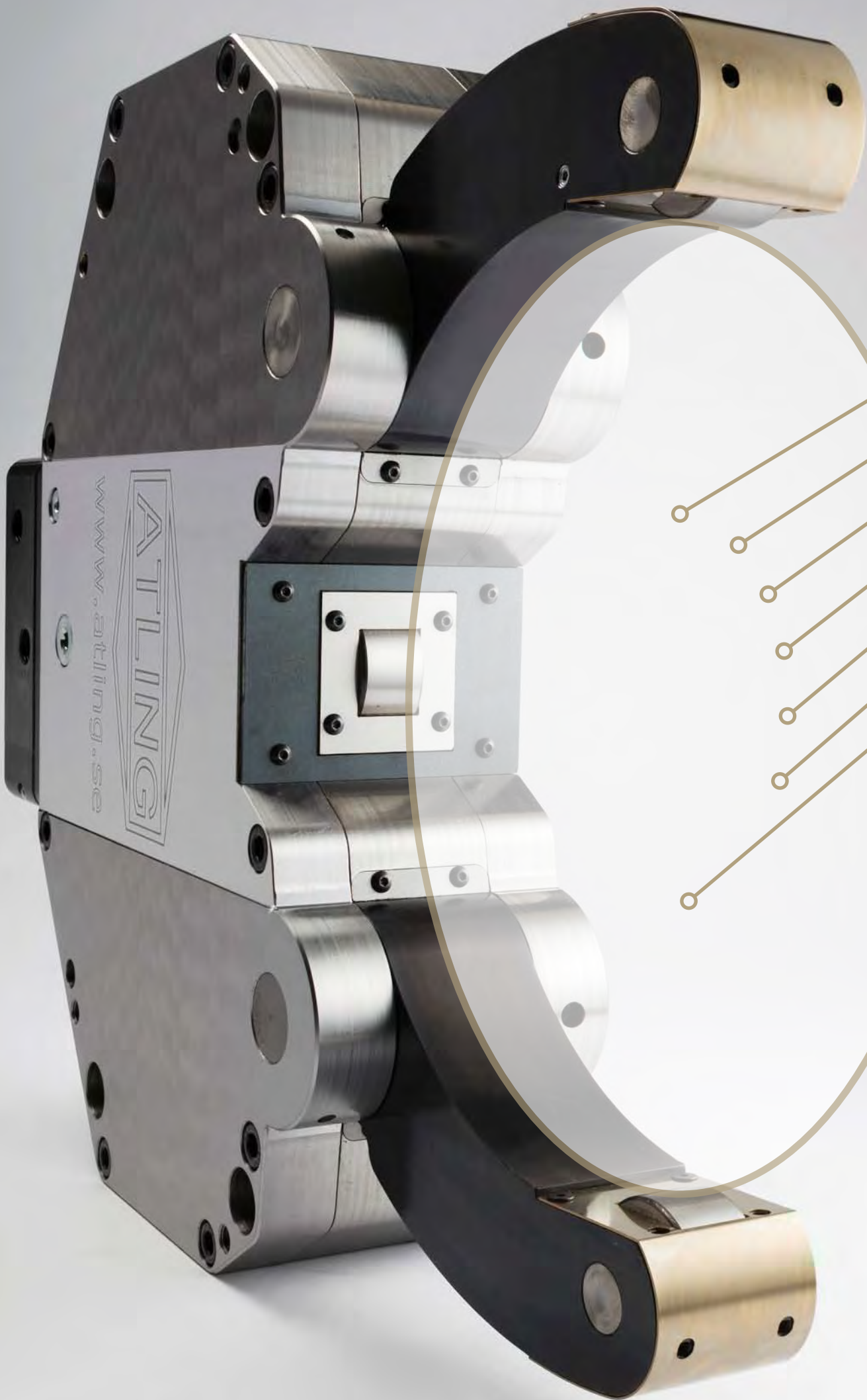
Model	AN1	AN2	AN3	AN4
Gripping range	6-70	8-105	12-125	12-160

page 22

## Order configuration code

- AX/AS/AN:** Model serie. (AS only 6, 7 and 8)
- Model Size:** 1 - 11 (according to list)
- Cylinder type:**
  - E = External Cylinder
  - I = Internal Cylinder
- Swing Away:**
  - N = No swing away
  - U = Swing away Upper arm
  - L = Swing away Lower arm
  - B = Swing away Both arms
- Lubrication Type:**
  - A = Automatic
  - M = Manual
- Lubricant:**
  - O = Oil
  - G = Grease
- Roller type:**
  - S = Standard
  - C = Cambered





# Why you need Steady Rest from Atling

- When you have long shaft turning
- When you need to have the work piece centered
- To give support at several positions
- To extreme work piece length
- To hold the work piece
- For slim and heavy work piece
- Tailor made Special Steady Rest

## Advantage Atling

- 1 Swing away arm: Upper, lower or both
- 2 Keep the same gripping range
- 3 Flexibility to convert to swing away
- 4 Flexibility to convert the external to internal
- 5 Space reduce with the innovation AXI series
- 6 Slim fit design

### **AXI series, the next generation Steady Rest**

To be able to have a slimmer and more compact series Atling developed the new AXI model which is the latest innovation for the Steady Rest. AXI = internal cylinder give Atling more opportunities to fit when the space is limited and still need a big clamping size.

### **Swing Away Arm comes in AX and AXI series**

Innovation for the swing away arm is compatible with all AX1-AX11 Series. You can decide to have swing away on upper, lower or

both arms, and still keep the same gripping range. Atling AX series Steady Rest can be upgraded from AXE series to an AXI series model, including a Swing Away arm. Atling Steady Rests standard models come from AX1E to AX11E and from AX4I to AX11I.

### **The overall usage**

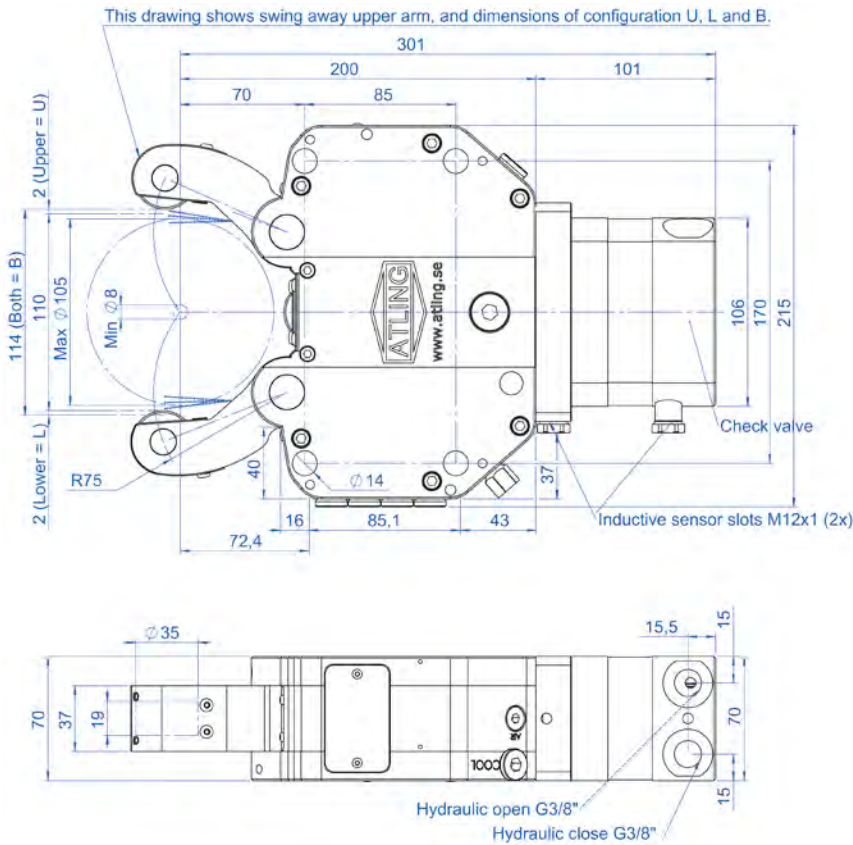
The Atling Steady Rest are used in many different industry sectors such as the automobile, aerospace, rail, energy and general industry.

TO OBTAIN GOOD CONCENTRICITY AND SURFACE FINISH THE STEADY REST FROM ATLING'S BECOMES NECESSARY. THE ATLING STEADY REST ARE SUITABLE TO FIT INTO ANY CNC OR CONVERTIBLE LATHE IN THE MOST CRITICAL SPACE CONDITIONS.



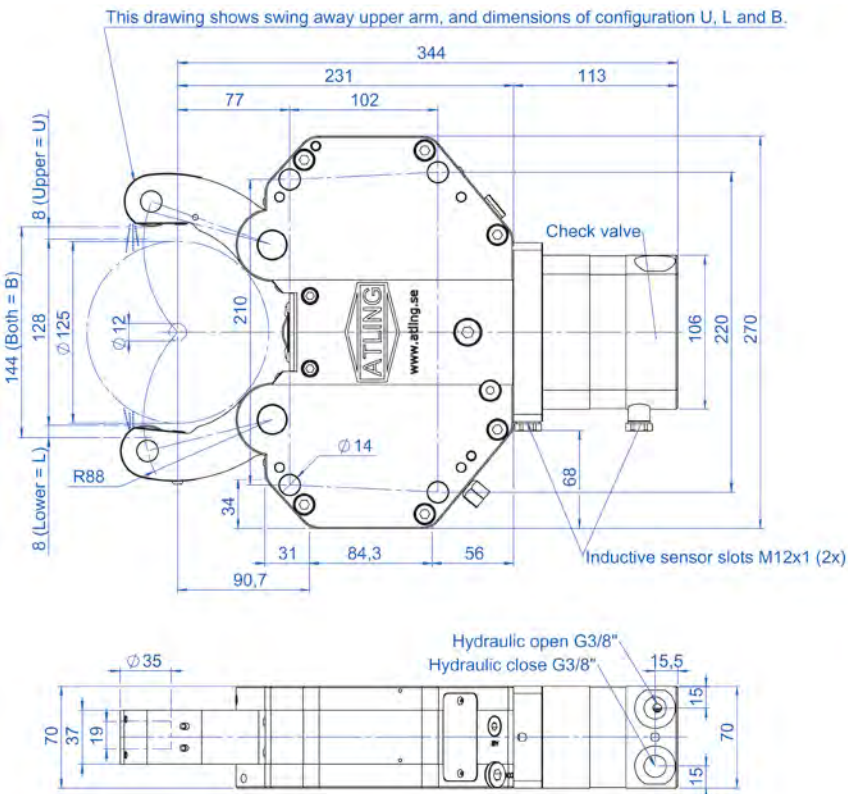


**AX2E**



Gripping range	8-105 mm
Total max gripping force	1200 daN
Max peripheral rollerspeed	930 m/min
Centering accuracy*	0.02 mm
Repeatability	0.005 mm
Min operating pressure	10 bar
Max operating pressure	60 bar
Weight	17 kg
Mounting holes**	Same as SLU-2

**AX3E**



Gripping range	12-125 mm
Total max gripping force	1200 daN
Max peripheral rollerspeed	930 m/min
Centering accuracy*	0.04 mm
Repeatability	0.005 mm
Min operating pressure	10 bar
Max operating pressure	60 bar
Weight	23 kg
Mounting holes**	N/A

\*At constant pressure and clamping force, 20 bar.  
 \*\* Note: Same hole pattern, can interfere on the bracket.  
 Check drawings.

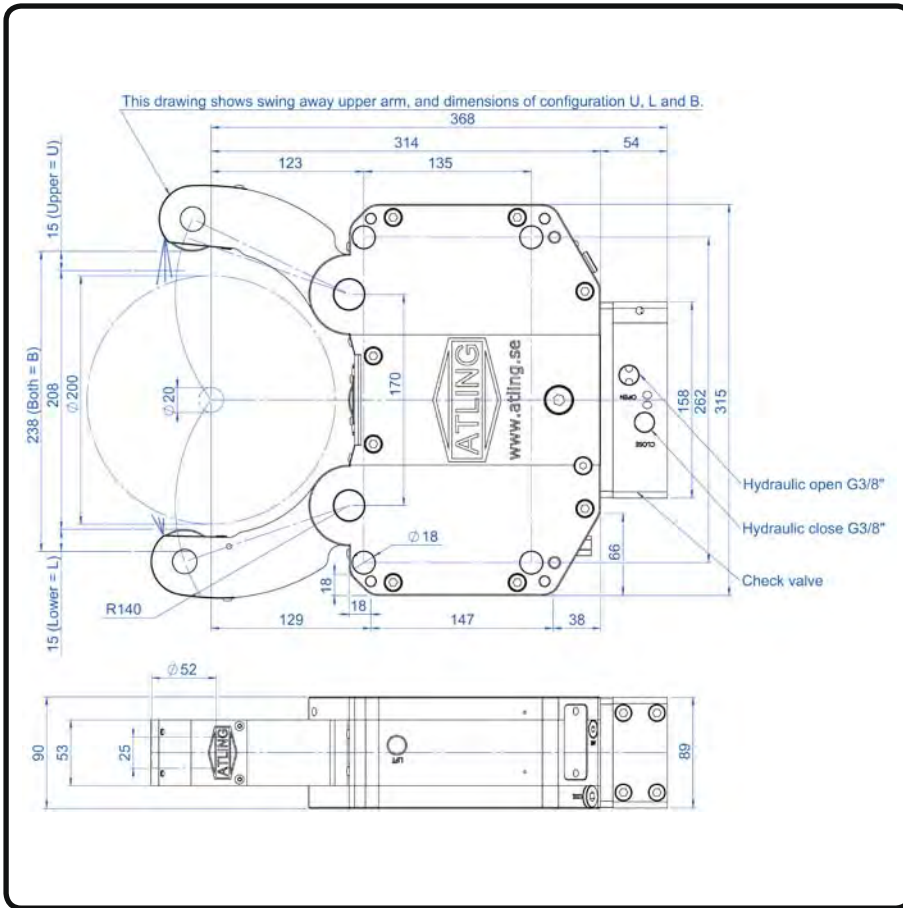






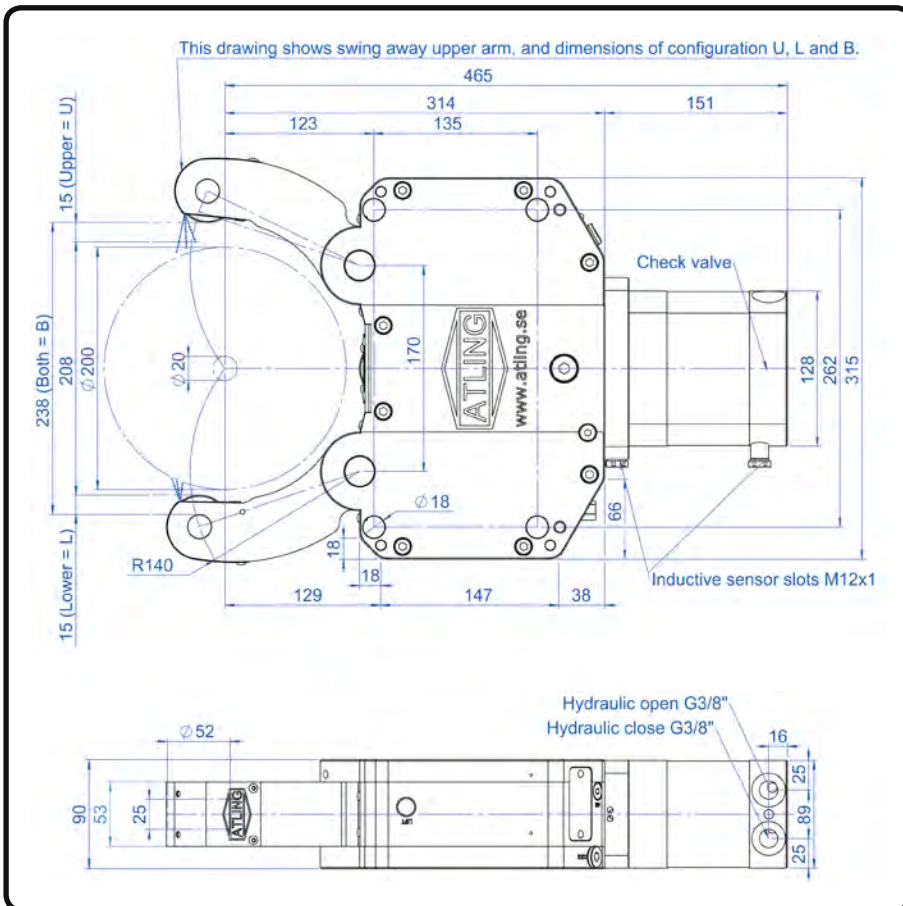
**AX5I**

Built-in pressure amplifie	
Gripping range	20-200 mm
Total max gripping force	3500 daN
Max peripheral rollerspeed	890 m/min
Centering accuracy*	0.06 mm
Repeatability	0.005 mm
Min operating pressure	20 bar
Max operating pressure	70 bar
Weight	48 kg
Mounting holes**	Same as SLU-3.1



**AX5E**

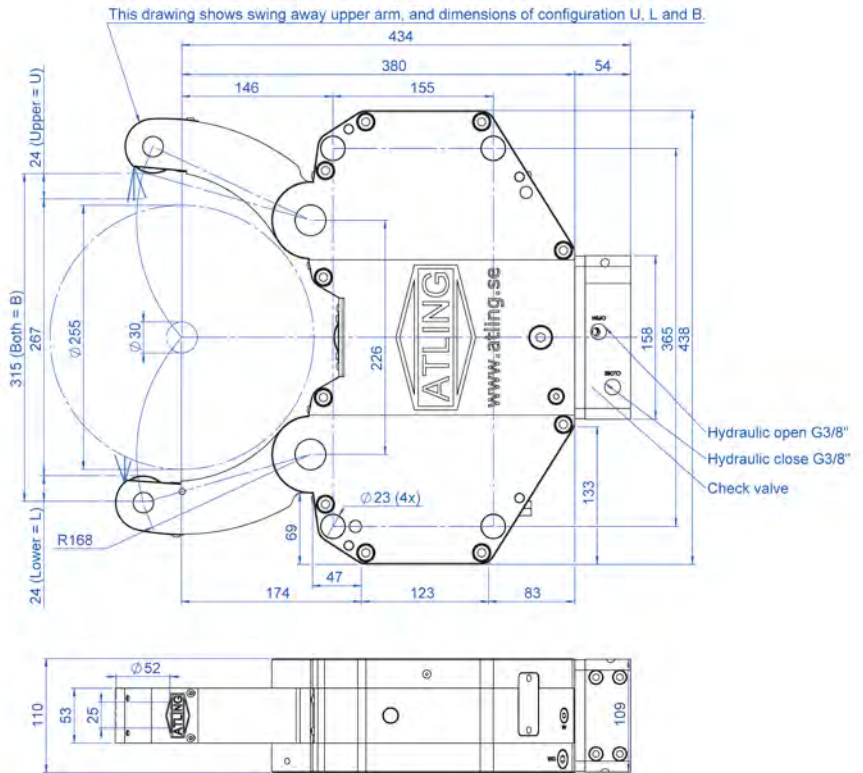
Gripping range	20-200 mm
Total max gripping force	3500 daN
Max peripheral rollerspeed	890 m/min
Centering accuracy*	0.06 mm
Repeatability	0.005 mm
Min operating pressure	10 bar
Max operating pressure	70 bar
Weight	48 kg
Mounting holes**	Same as SLU-3.1



\*At constant pressure and clamping force, 20 bar.  
 \*\* Note: Same hole pattern, can interfere on the bracket.  
 Check drawings.

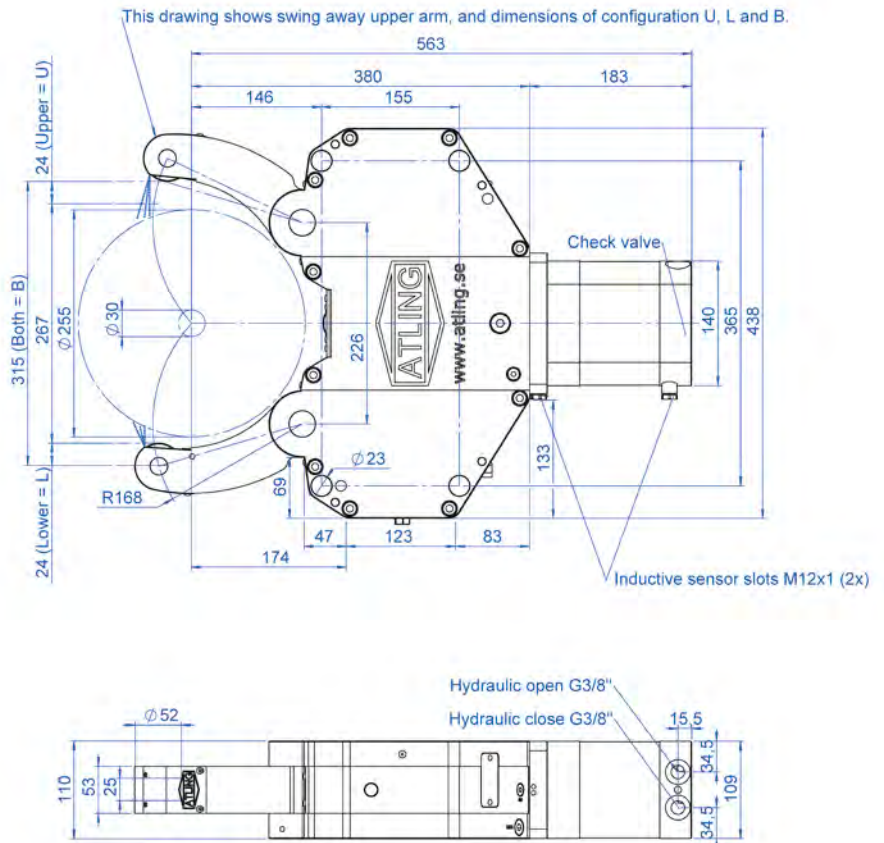
## AX6I

Built-in pressure amplifie	
Gripping range	30-255 mm
Total max gripping force	4500 daN
Max peripheral roller speed	890 m/min
Centering accuracy*	0,04 mm
Repeatability	0,005 mm
Min operating pressure	20 bar
Max operating pressure	70 bar
Weight	73 kg
Mounting holes**	N/A



## AX6E

Gripping range	30-255 mm
Total max gripping force	4500 daN
Max peripheral roller speed	890 m/min
Centering accuracy*	0,04 mm
Repeatability	0,005 mm
Min operating pressure	10 bar
Max operating pressure	70 bar
Weight	83 kg
Mounting holes**	N/A



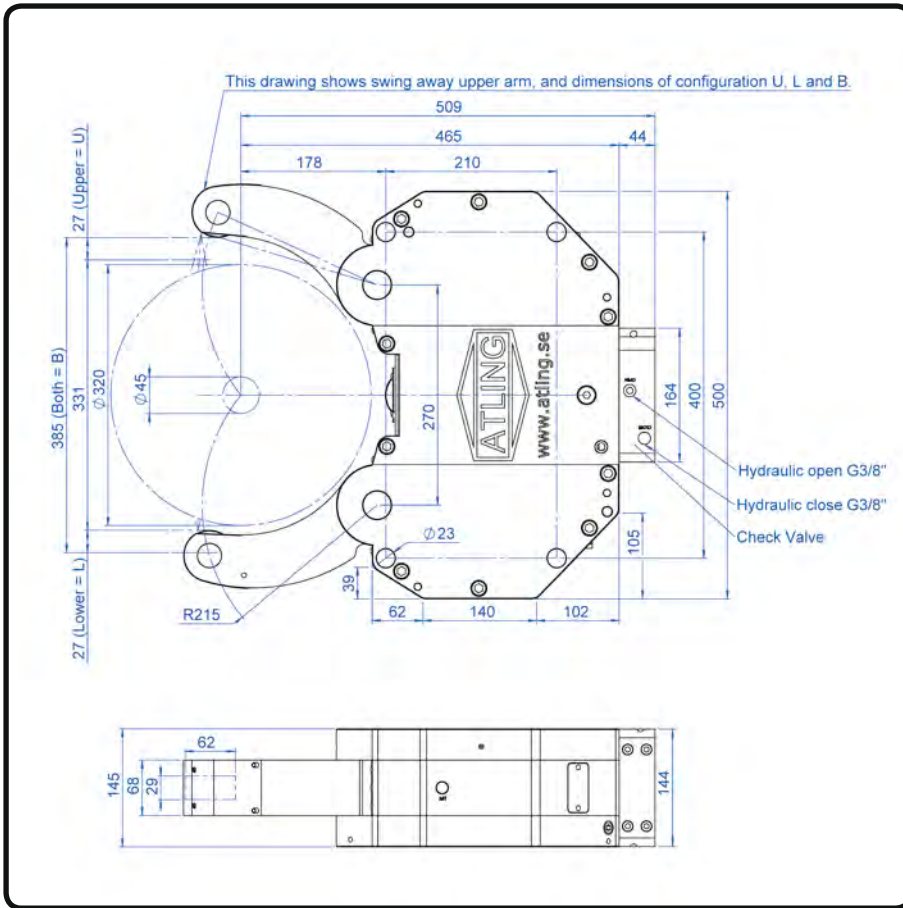
\*At constant pressure and clamping force, 20 bar.

\*\* Note: Same hole pattern, can interfere on the bracket. Check drawings.



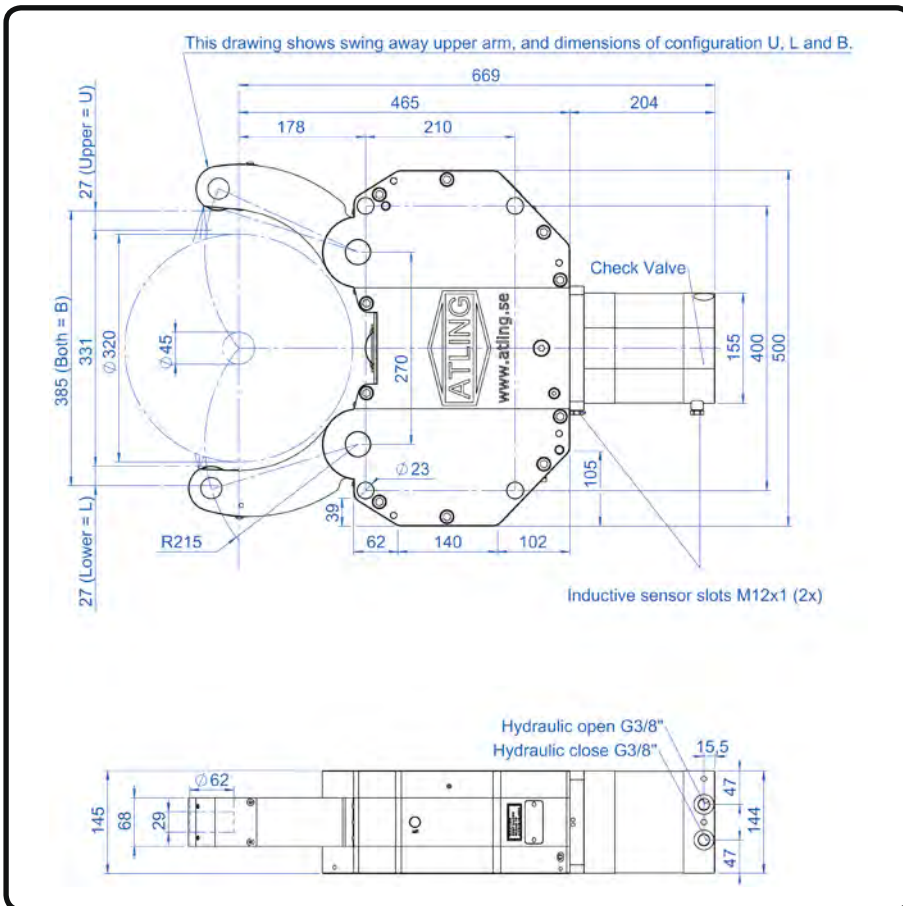
**AX7I**

Built-in pressure amplifie	
Gripping range	45-320 mm
Total max gripping force	5500 daN
Max peripheral roller speed	655 m/min
Centering accuracy*	0,06 mm
Repeatability	0,005 mm
Min operating pressure	20 bar
Max operating pressure	70 bar
Weight	148 kg
Mounting holes**	N/A



**AX7E**

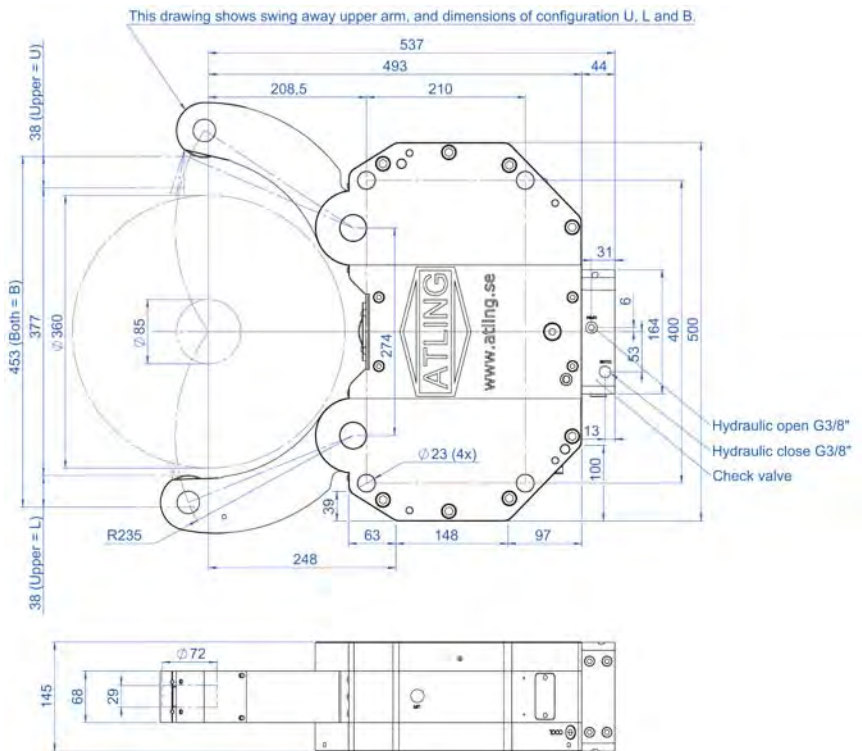
Gripping range	45-320 mm
Total max gripping force	5500 daN
Max peripheral roller speed	655 m/min
Centering accuracy*	0,06 mm
Repeatability	0,005 mm
Min operating pressure	10 bar
Max operating pressure	70 bar
Weight	158 kg
Mounting holes**	N/A



\*At constant pressure and clamping force, 20 bar.  
 \*\* Note: Same hole pattern, can interfere on the bracket.  
 Check drawings.

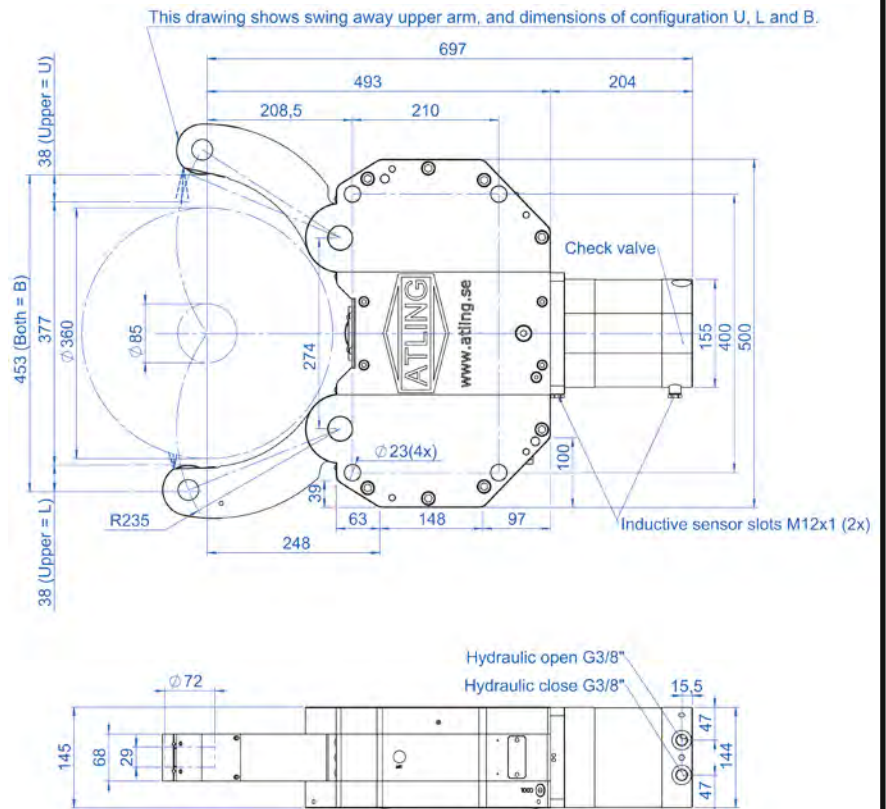
**AX8I**

Built-in pressure amplifie	
Gripping range	85-360 mm
Total max gripping force	5500 daN
Max peripheral roller spee	765 m/min
Centering accuracy*	0,06 mm
Repeatability	0,005 mm
Min operating pressure	20 bar
Max operating pressure	70 bar
Weight	143 kg
Mounting holes	N/A



**AX8E**

Gripping range	85-360 mm
Total max gripping force	5500 daN
Max peripheral roller spee	765 m/min
Centering accuracy*	0,06 mm
Repeatability	0,005 mm
Min operating pressure	10 bar
Max operating pressure	70 bar
Weight	156 kg
Mounting holes	N/A

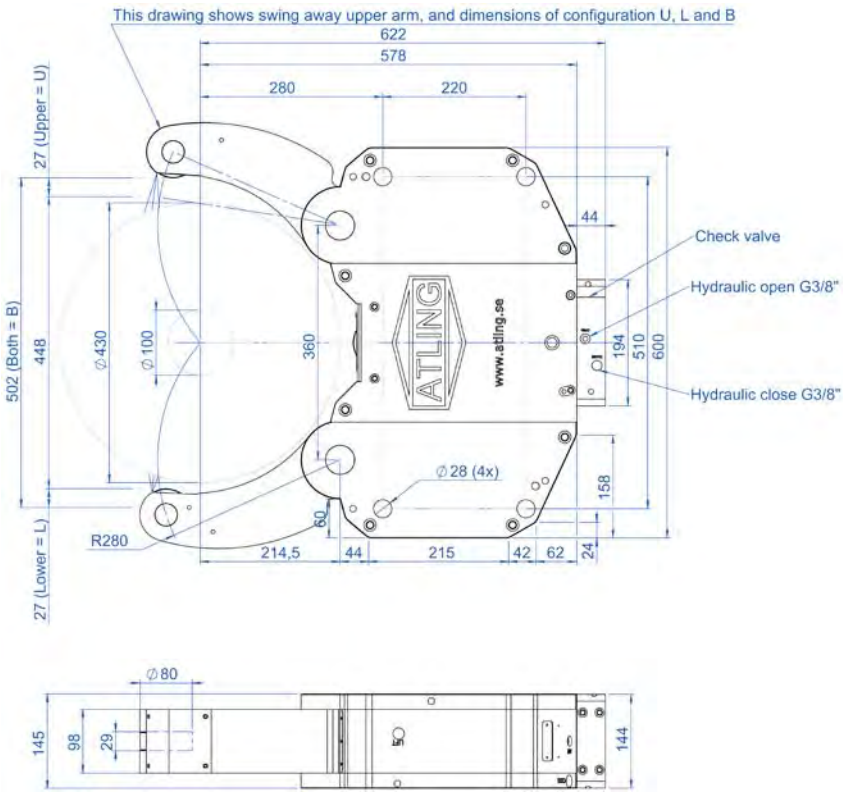


\*At constant pressure and clamping force, 20 bar.

\*\* Note: Same hole pattern, can interfere on the bracket. Check drawings.

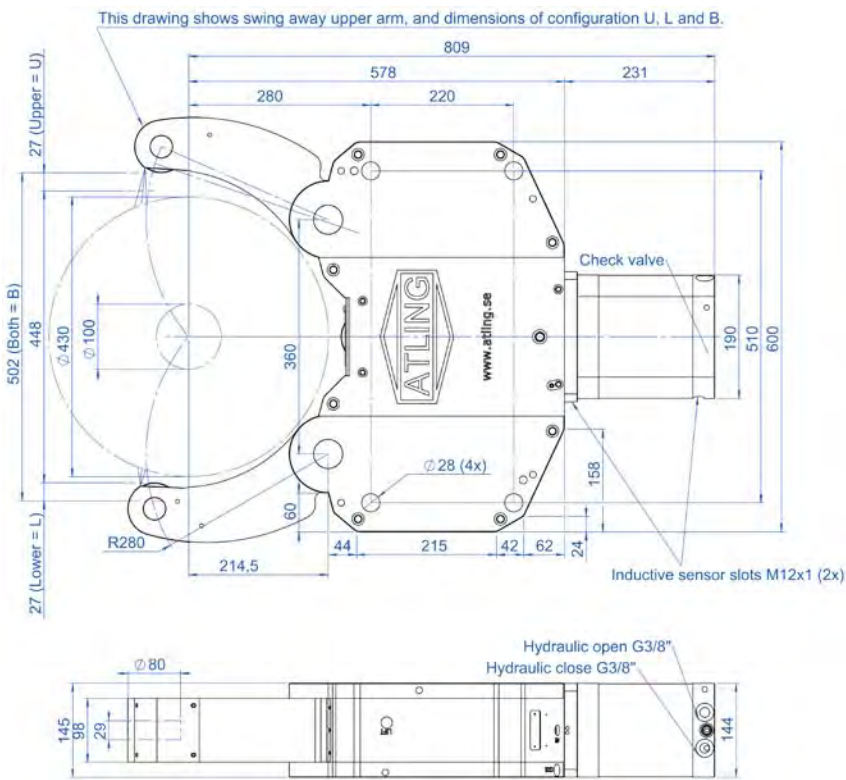


**AX8.5I**



Built-in pressure amplifie	
Gripping range	100-430 mm
Total max gripping force	6800 daN
Max peripheral roller speed	685 m/min
Centering accuracy*	0,06 mm
Repeatability	0,01 mm
Min operating pressure	20 bar
Max operating pressure	60 bar
Weight	195 kg
Mounting holes	N/A

**AX8.5E**

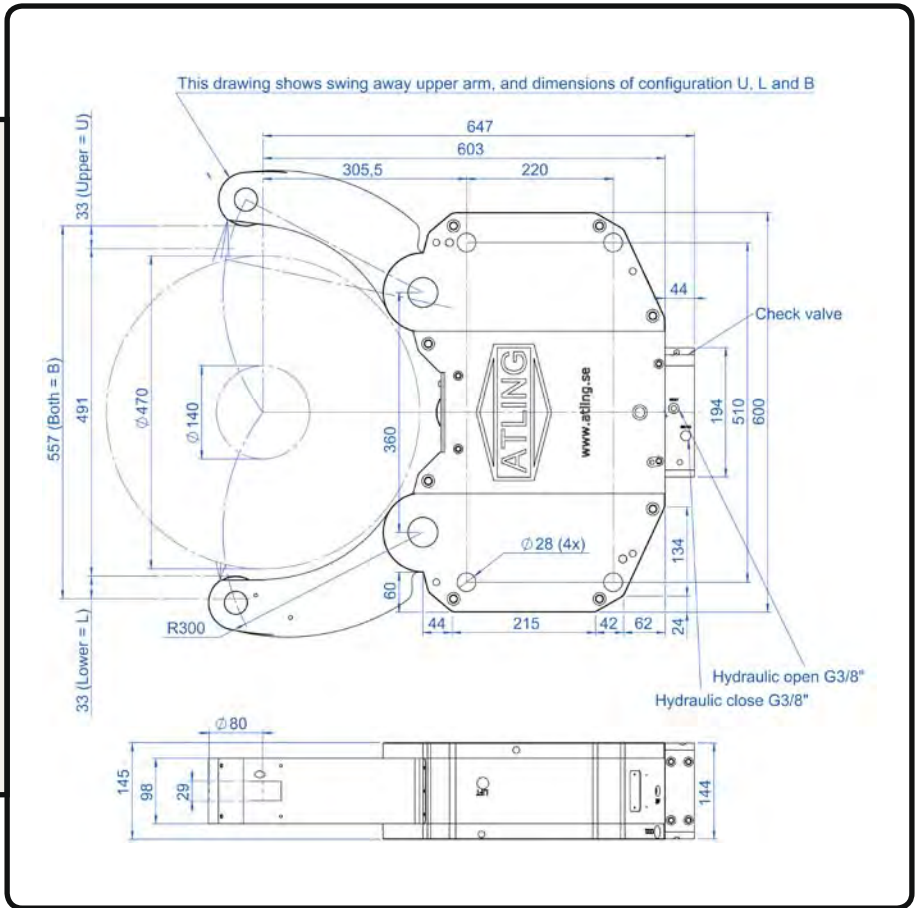


Gripping range	100-430 mm
Total max gripping force	6800 daN
Max peripheral roller speed	685 m/min
Centering accuracy*	0,06 mm
Repeatability	0,01 mm
Min operating pressure	10 bar
Max operating pressure	60 bar
Weight	234 kg
Mounting holes	N/A

\*At constant pressure and clamping force, 20 bar.  
 \*\* Note: Same hole pattern, can interfere on the bracket.  
 Check drawings.

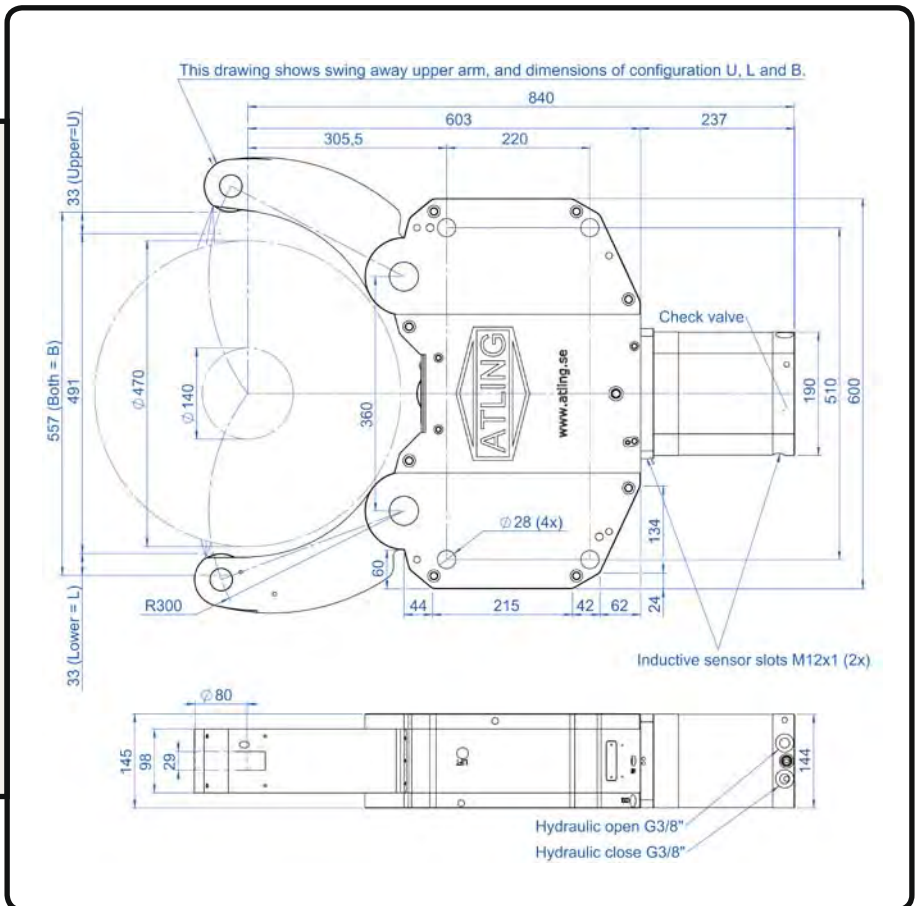
**AX8.7I**

Built-in pressure amplifie	
Gripping range	140-470 mm
Total max gripping force	6800 daN
Max peripheral roller speed	685 m/min
Centering accuracy*	0,06 mm
Repeatability	0,01 mm
Min operating pressure	20 bar
Max operating pressure	60 bar
Weight	234 kg
Mounting holes	Adapter plate needed



**AX8.7E**

Gripping range	140-470 mm
Total max gripping force	6800 daN
Max peripheral roller speed	685 m/min
Centering accuracy*	0,06 mm
Repeatability	0,01 mm
Min operating pressure	10 bar
Max operating pressure	60 bar
Weight	234 kg
Mounting holes	Adapter plate needed

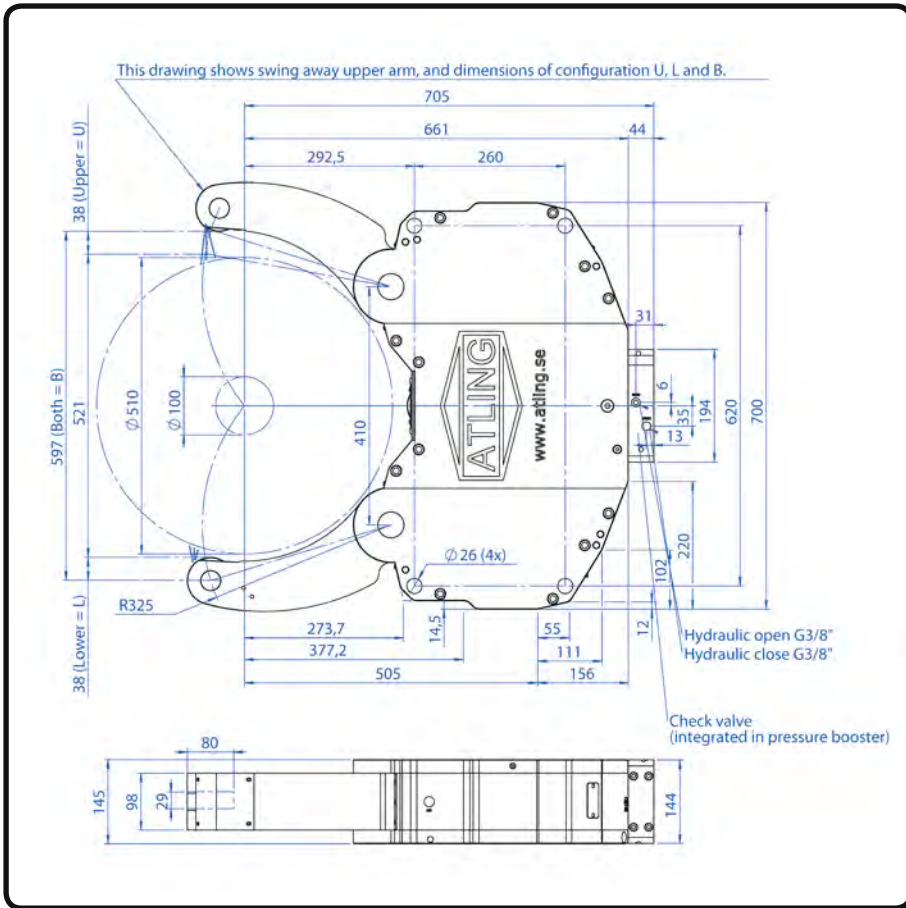


\*At constant pressure and clamping force, 20 bar.

\*\* Note: Same hole pattern, can interfere on the bracket. Check drawings.

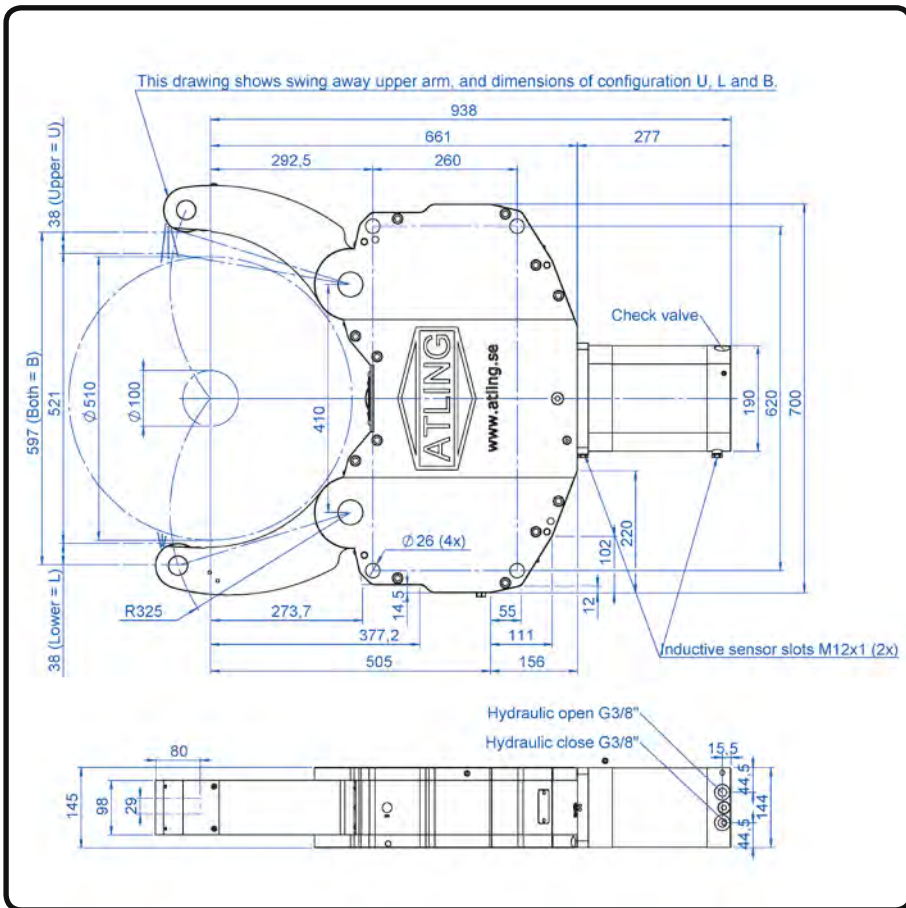


**AX9I**



Built-in pressure amplifie	
Gripping Range	100-510 mm
Total max gripping force	6800 daN
Max peripheral roller speed	685 m/min
Centering accuracy*	0,10 mm
Repeatability	0,02 mm
Min operating pressure	20 bar
Max operating pressure	60 bar
Weight	252 kg
Mounting holes	Adapter plate needed

**AX9E**

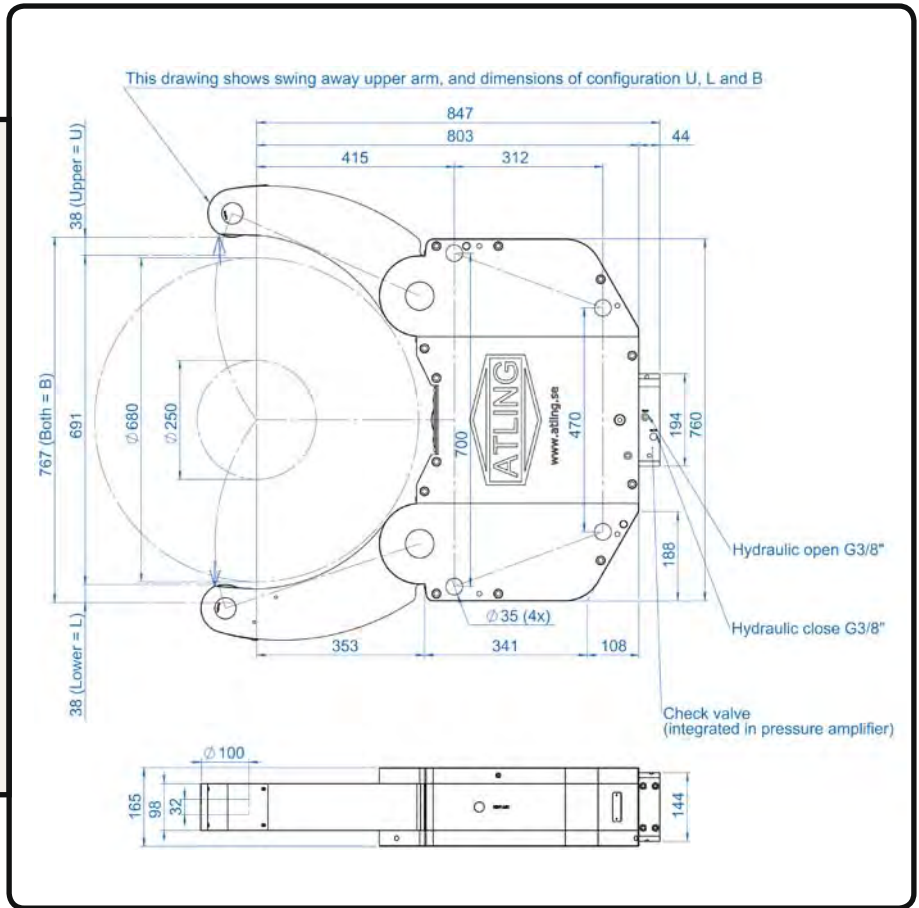


Gripping Range	100-510 mm
Total max gripping force	6800 daN
Max peripheral roller speed	685 m/min
Centering accuracy*	0,10 mm
Repeatability	0,02 mm
Min operating pressure	10 bar
Max operating pressure	60 bar
Weight	280 kg
Mounting holes	Adapter plate needed

\*At constant pressure and clamping force, 20 bar.  
 \*\* Note: Same hole pattern, can interfere on the bracket.  
 Check drawings.

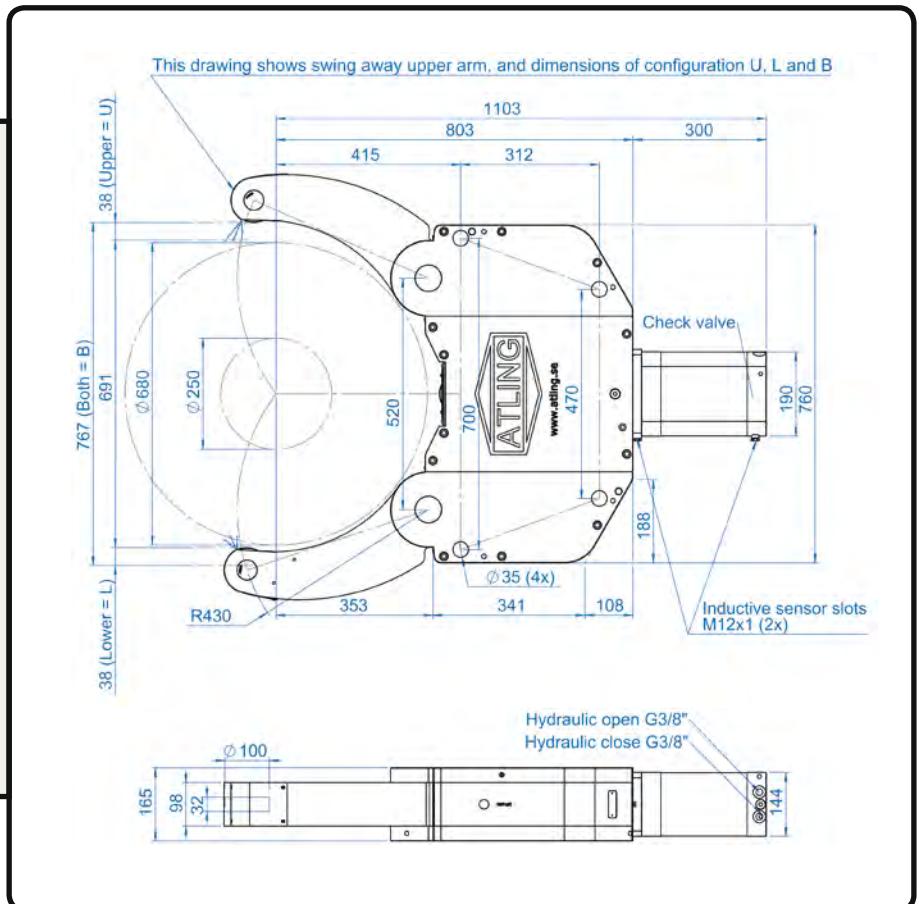
## AX10I

Built-in pressure amplifie	
Gripping Range	250-680 mm
Total max gripping force	6800 daN
Max peripheral roller speed	685 m/min
Centering accuracy*	0,10 mm
Repeatability	0,02 mm
Min operating pressure	20 bar
Max operating pressure	60 bar
Weight	370 kg
Mounting holes	N/A



## AX10E

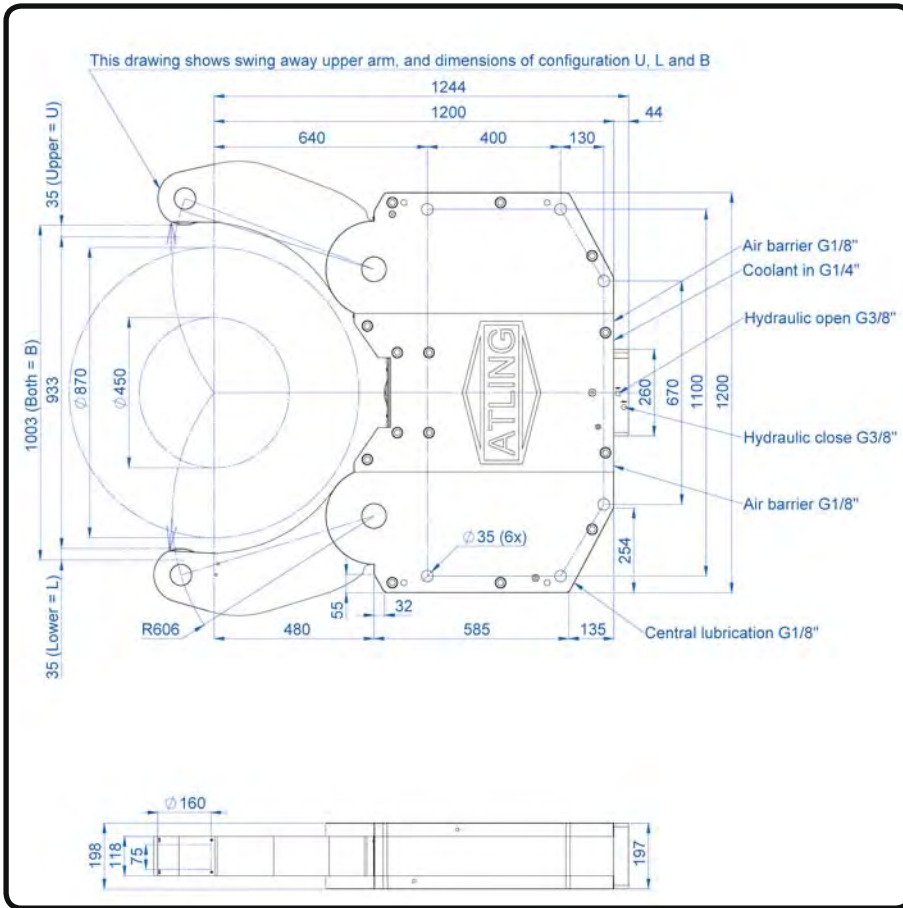
Gripping Range	250-680 mm
Total max gripping force	6800 daN
Max peripheral roller speed	685 m/min
Centering accuracy*	0,10 mm
Repeatability	0,02 mm
Min operating pressure	10 bar
Max operating pressure	60 bar
Weight	395 kg
Mounting holes	N/A



\*At constant pressure and clamping force, 20 bar.

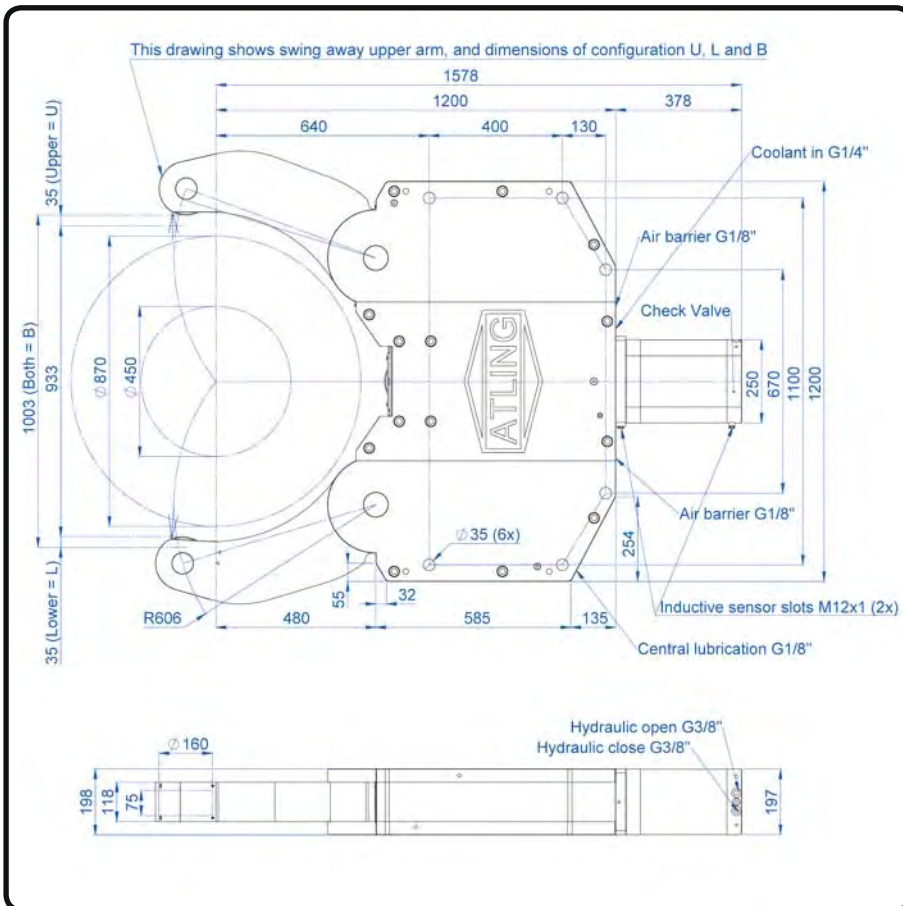
\*\* Note: Same hole pattern, can interfere on the bracket. Check drawings.

**AX11I**



Built in pressure amplifie	
Gripping range	450-870 mm
Total max gripping force	9200 daN
Max peripheral rollerspeed	457 m/min
Centering accuracy*	0.20 mm
Repeatability	0.02 mm
Min operating pressure	20 bar
Max operating pressure	60 bar
Weight	1337 kg
Mounting holes	N/A

**AX11E**



Gripping range	450-870 mm
Total max gripping force	9200 daN
Max peripheral rollerspeed	457 m/min
Centering accuracy*	0.20 mm
Repeatability	0.02 mm
Min pressure	10 bar
Max operating pressure	60 bar
Weight	1421 kg
Mounting holes	N/A

\*At constant pressure and clamping force, 20 bar.  
 \*\* Note: Same hole pattern, can interfere on the bracket.  
 Check drawings.



**Standard S Series**

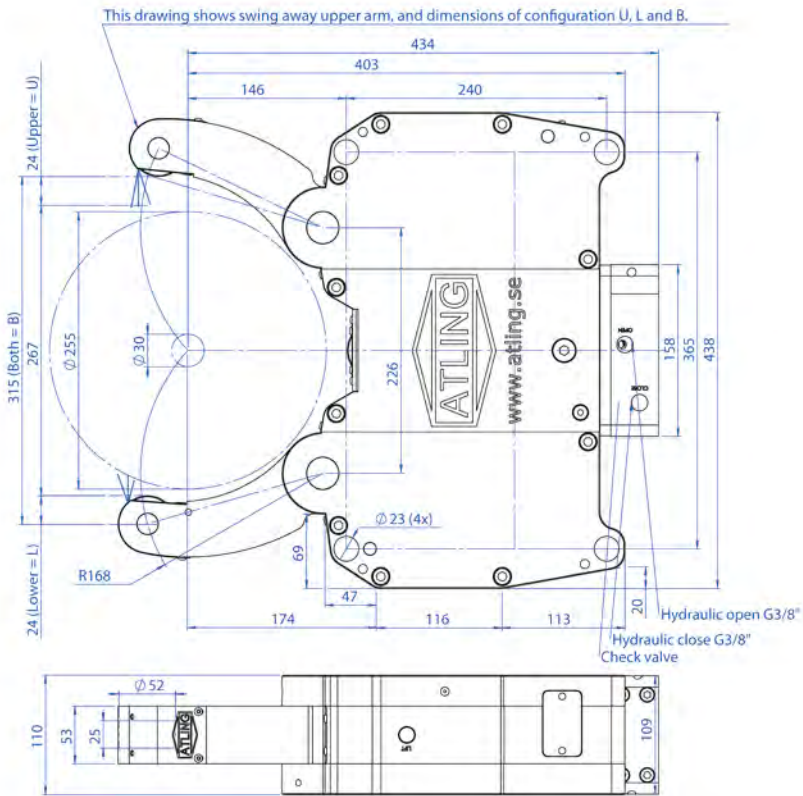


**Standard N Series**



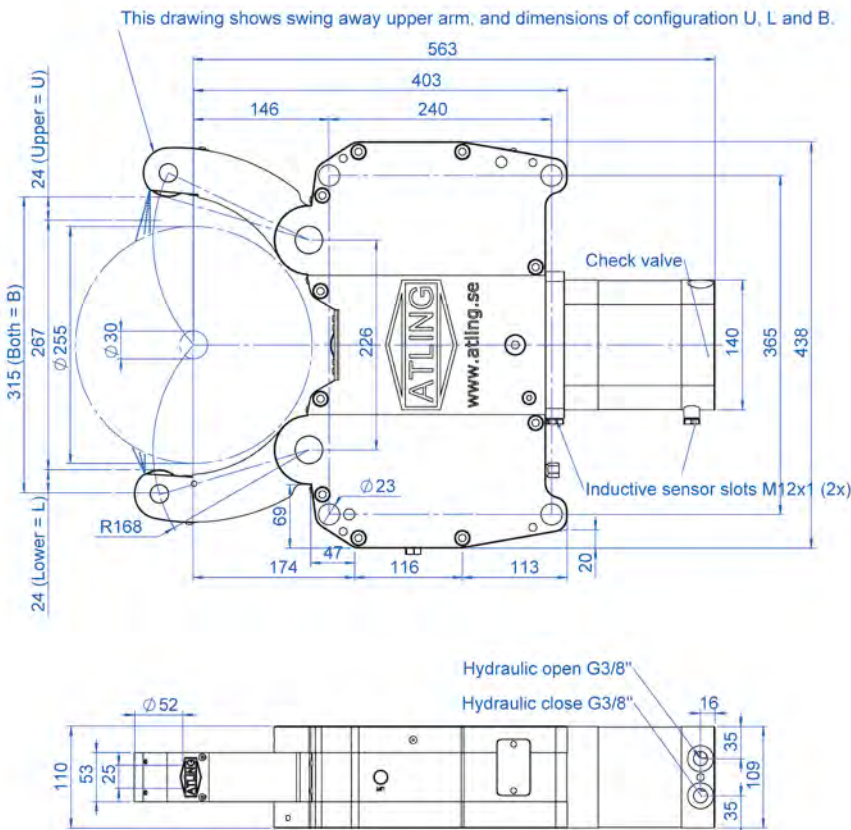


**AS6I**



Built-in pressure amplifie	
Gripping range	30-255 mm
Total max gripping force	4500 daN
Max peripheral roller speed	890 m/min
Centering accuracy*	0,04 mm
Repeatability	0,005 mm
Min operating pressure	20 bar
Max operating pressure	70 bar
Weight	83 kg
Mounting holes**	Same as SLU-4

**AS6E**

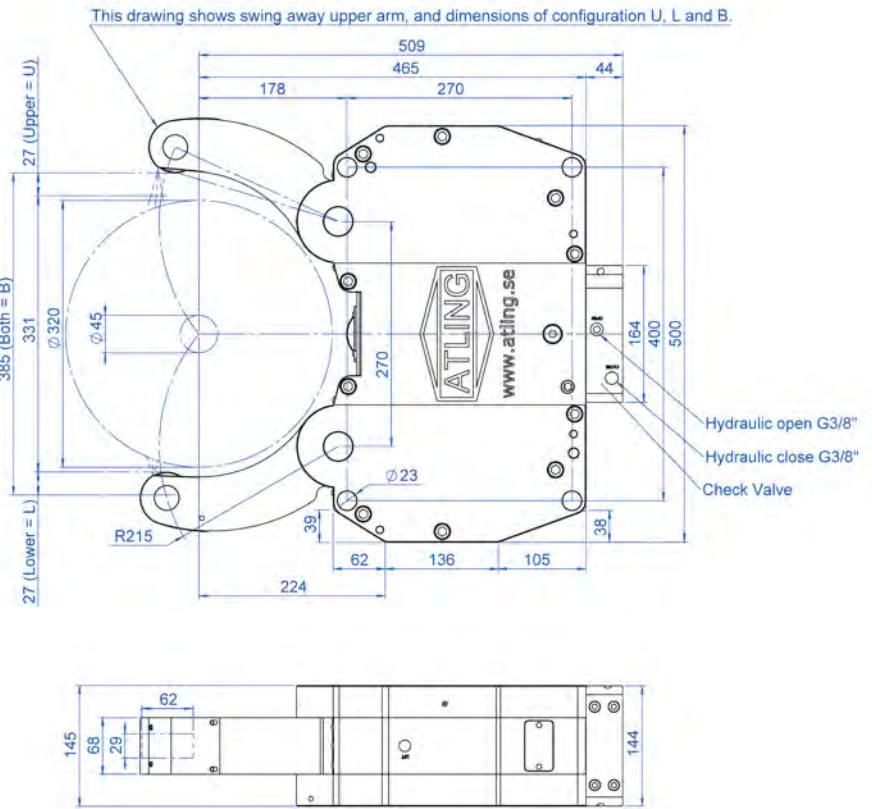


Gripping range	30-255 mm
Total max gripping force	4500 daN
Max peripheral roller speed	890 m/min
Centering accuracy*	0,04 mm
Repeatability	0,005 mm
Min operating pressure	10 bar
Max operating pressure	70 bar
Weight	92 kg
Mounting holes**	Same as SLU-4

\*At constant pressure and clamping force, 20 bar.  
 \*\* Note: Same hole pattern, can interfere on the bracket.  
 Check drawings.

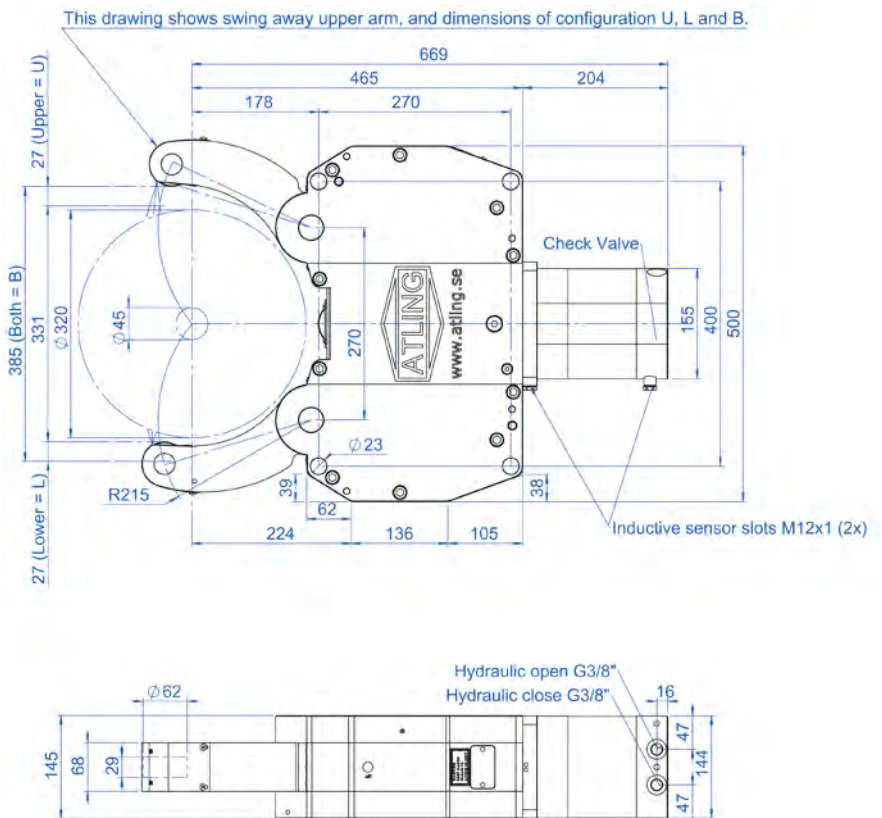
**AS7I**

Built-in pressure amplifie	
Gripping range	45-320 mm
Total max gripping force	5500 daN
Max peripheral roller speed	655 m/min
Centering accuracy*	0,06 mm
Repeatability	0,005 mm
Min operating pressure	20 bar
Max operating pressure	70 bar
Weight	149 kg
Mounting holes**	Same as SLU-5



**AS7E**

Gripping range	45-320 mm
Total max gripping force	5500 daN
Max peripheral roller speed	655 m/min
Centering accuracy*	0,06 mm
Repeatability	0,005 mm
Min operating pressure	10 bar
Max operating pressure	70 bar
Weight	165 kg
Mounting holes**	Same as SLU-5

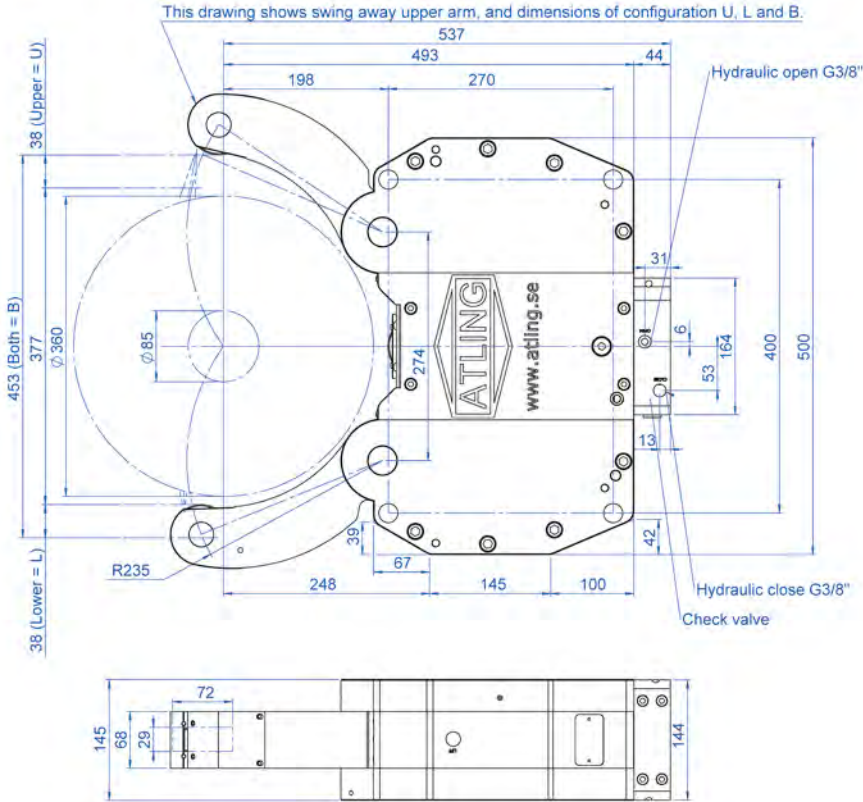


\*At constant pressure and clamping force, 20 bar.

\*\* Note: Same hole pattern, can interfere on the bracket. Check drawings.

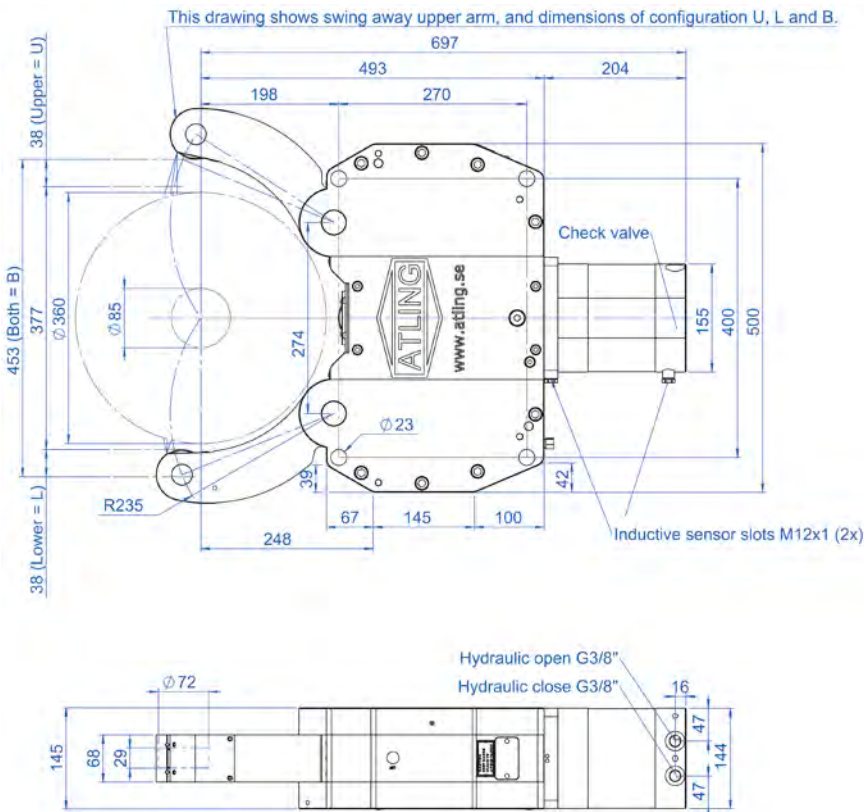


**AS8I**



Built-in pressure amplifie	
Gripping range	85-360 mm
Total max gripping force	5500 daN
Max peripheral roller speed	765 m/min
Centering accuracy*	0,06 mm
Repeatability	0,005 mm
Min operating pressure	20 bar
Max operating pressure	70 bar
Weight	150 kg
Mounting holes**	Same as SLU-5.1

**AS8E**

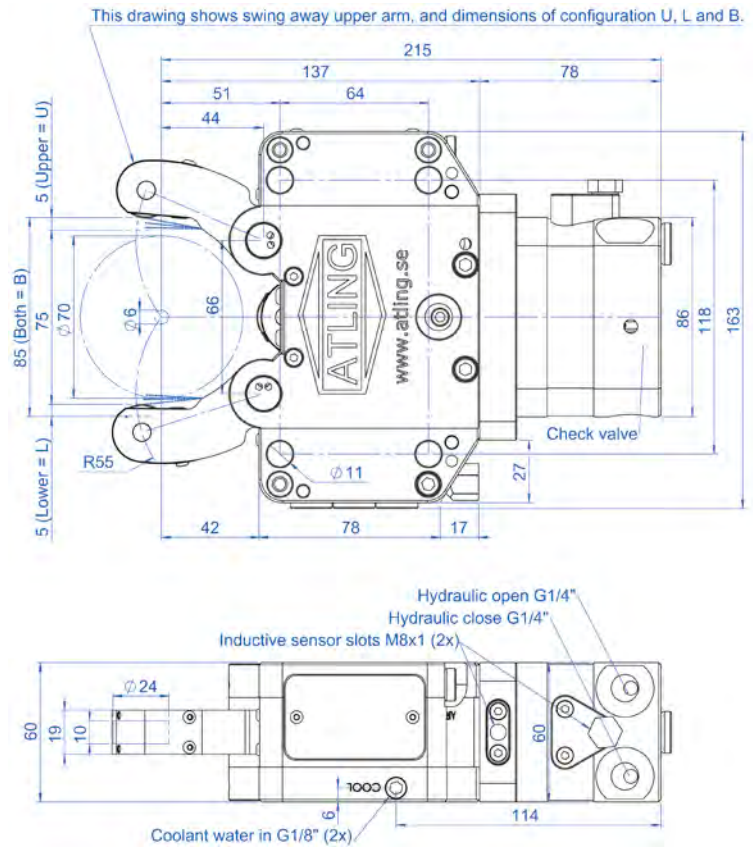


Gripping range	85-360 mm
Total max gripping force	5500 daN
Max peripheral roller speed	765 m/min
Centering accuracy*	0,06 mm
Repeatability	0,005 mm
Min operating pressure	10 bar
Max operating pressure	70 bar
Weight	163 kg
Mounting holes**	Same as SLU-5.1

\*At constant pressure and clamping force, 20 bar.  
 \*\* Note: Same hole pattern, can interfere on the bracket.  
 Check drawings.

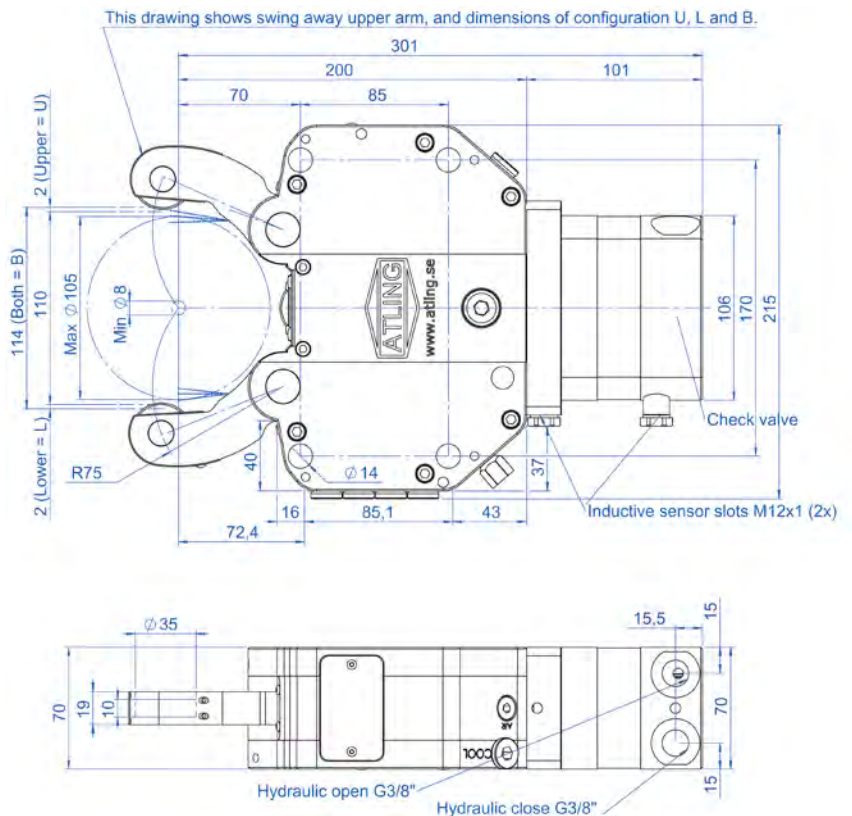
**AN1E**

Gripping range	6-70 mm
Total max gripping force	190 daN
Max peripheral roller speed	730 m/min
Centering accuracy*	0,02 mm
Repeatability	0,005 mm
Min operating pressure	10 bar
Max operating pressure	15 bar
Weight	8 kg
Mounting holes**	Same as SLU-1



**AN2E**

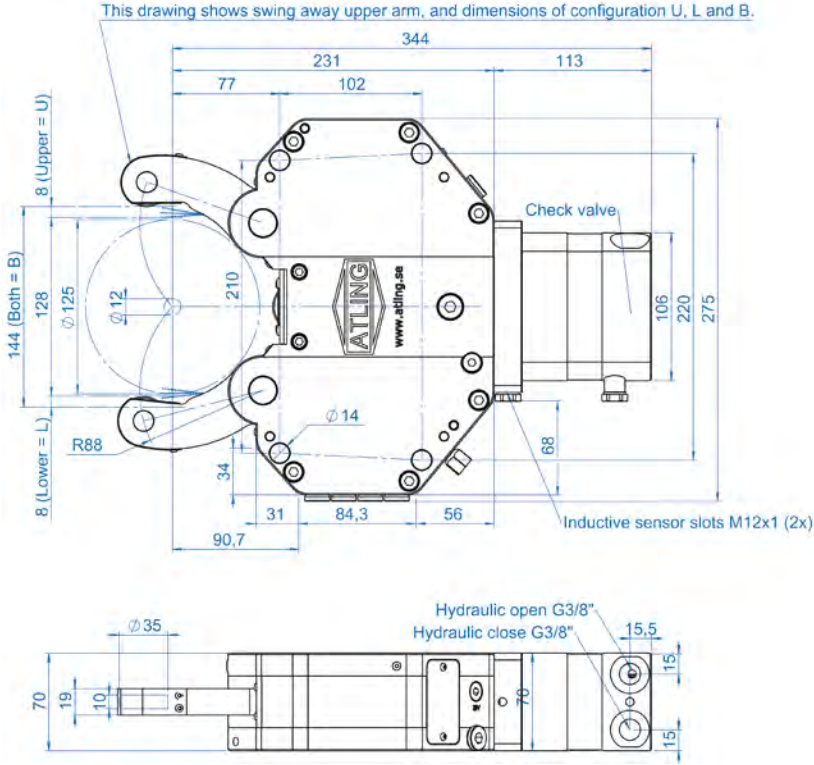
Gripping range	8-105 mm
Total max gripping force	590 daN
Max peripheral rollerspeed	930 m/min
Centering accuracy*	0.02 mm
Repeatability	0.005 mm
Min operating pressure	10 bar
Max operating pressure	30 bar
Weight	17 kg
Mounting holes**	Same as SLU-2



\*At constant pressure and clamping force, 20 bar.

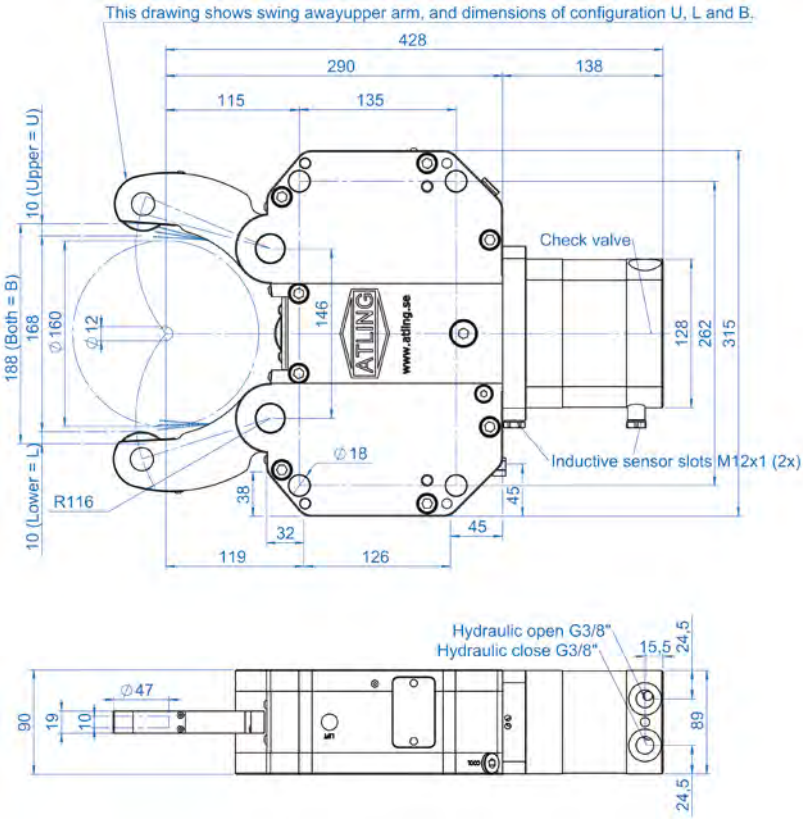
\*\* Note: Same hole pattern, can interfere on the bracket. Check drawings.

**AN3E**



Gripping range	12-125 mm
Total max gripping force	590 daN
Max peripheral rollerspeed	930 m/min
Centering accuracy*	0.04 mm
Repeatability	0.005 m
Min operating pressure	10 bar
Max operating pressure	30 bar
Weight	23 kg
Mounting holes**	N/A

**AN4E**

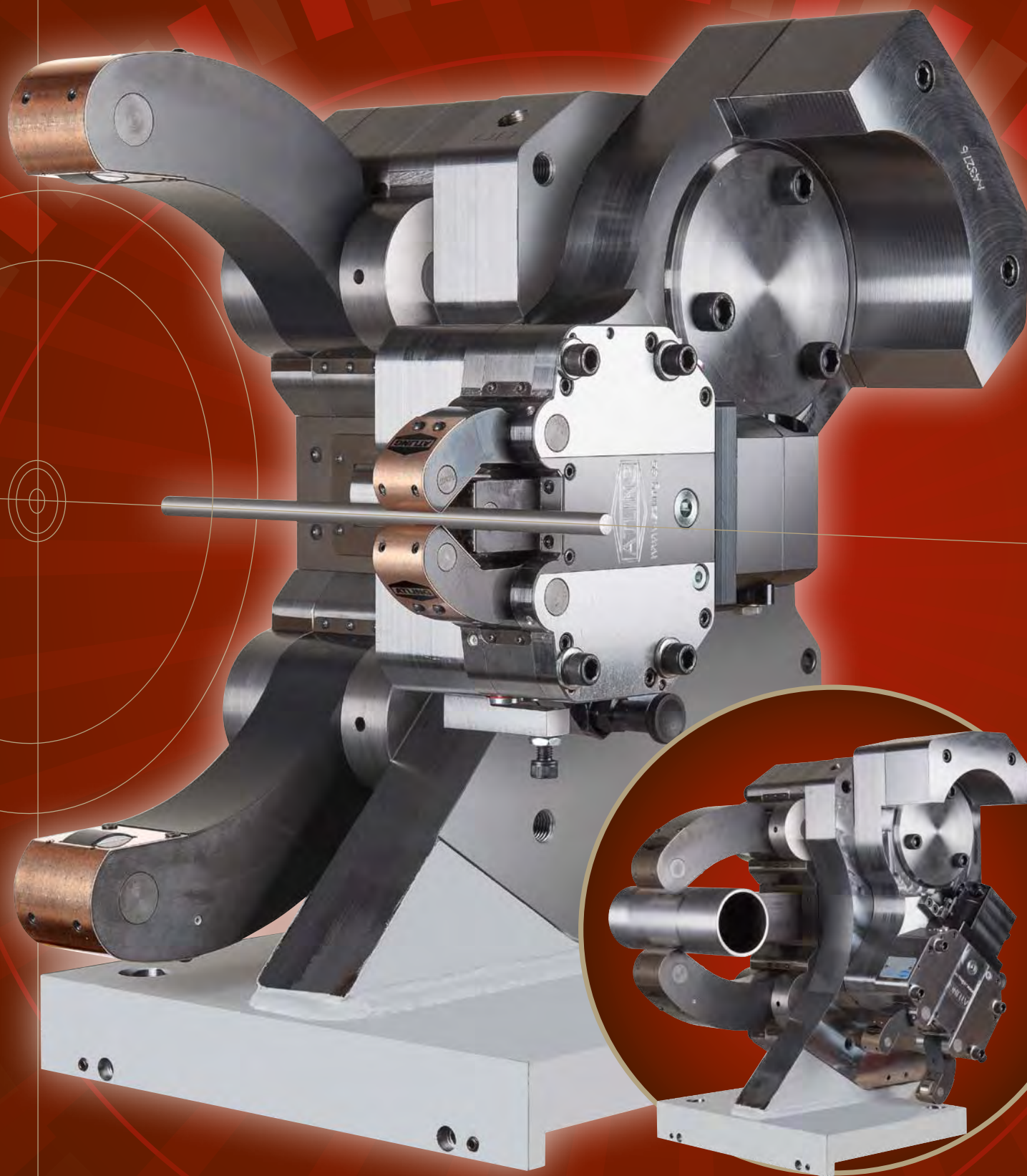


Gripping range	12-160 mm
Total max gripping force	1500 daN
Max peripheral rollerspeed	805 m/min
Centering accuracy*	0.04 mm
Repeatability	0.005 m
Min operating pressure	10 bar
Max operating pressure	30 bar
Weight	45 kg
Mounting holes**	Same as SLU-3

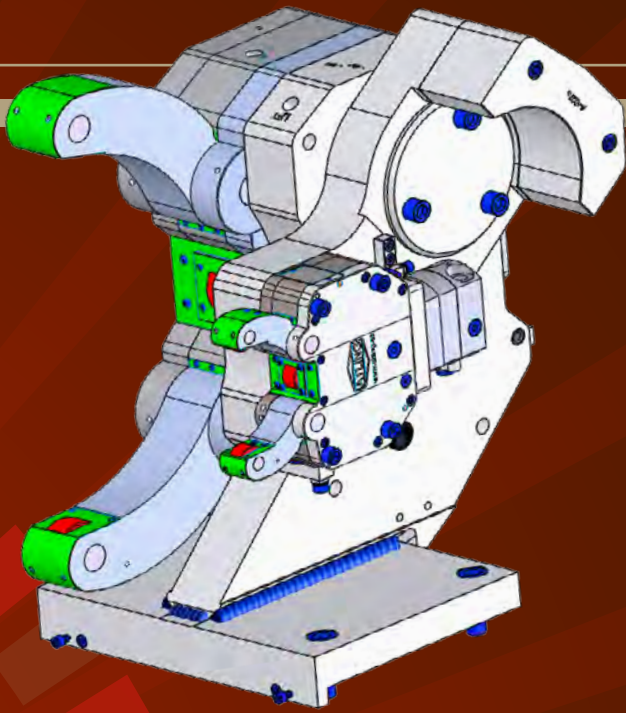
\*At constant pressure and clamping force, 20 bar.  
 \*\* Note: Same hole pattern, can interfere on the bracket.  
 Check drawings.



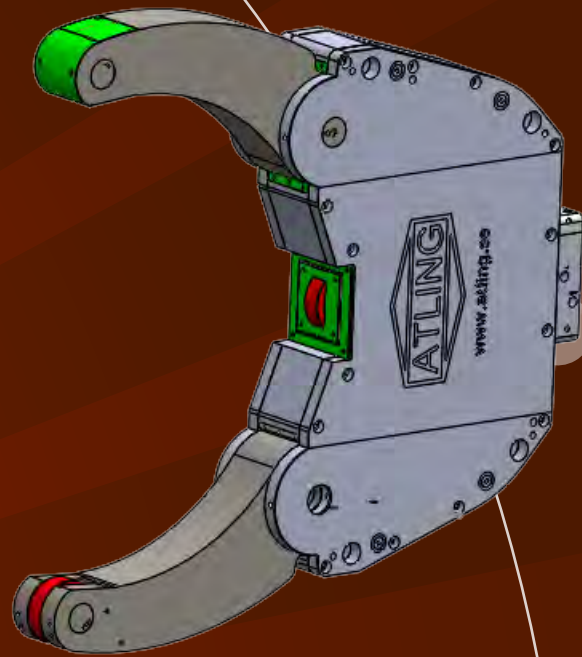
# Special Tailor Made



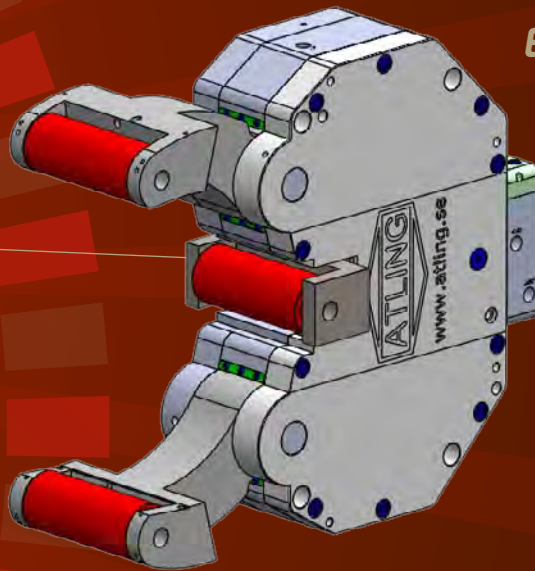
For more information about Tailor Made solutions, please contact Atling on e-mail adress: [steadyrest@atling.se](mailto:steadyrest@atling.se)



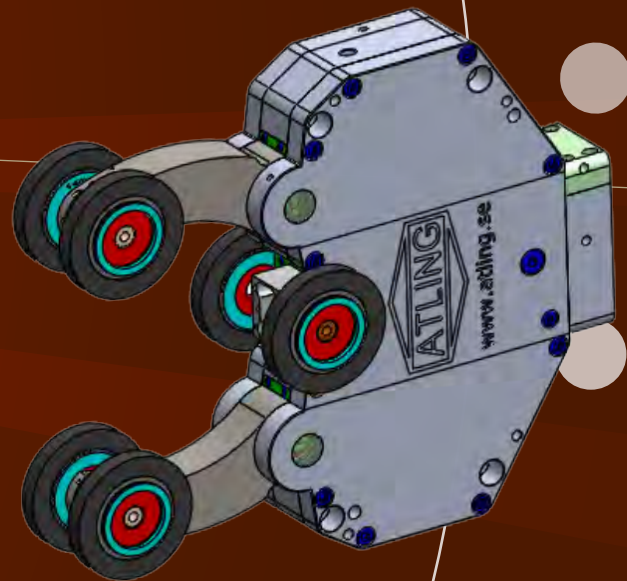
*Flexi Bracket*



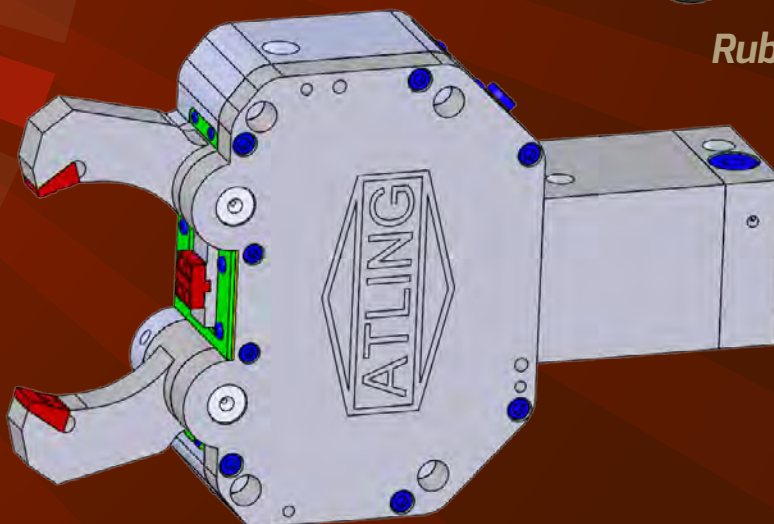
*Extra Wide Ø 350-700mm*



*Wide Rollers*



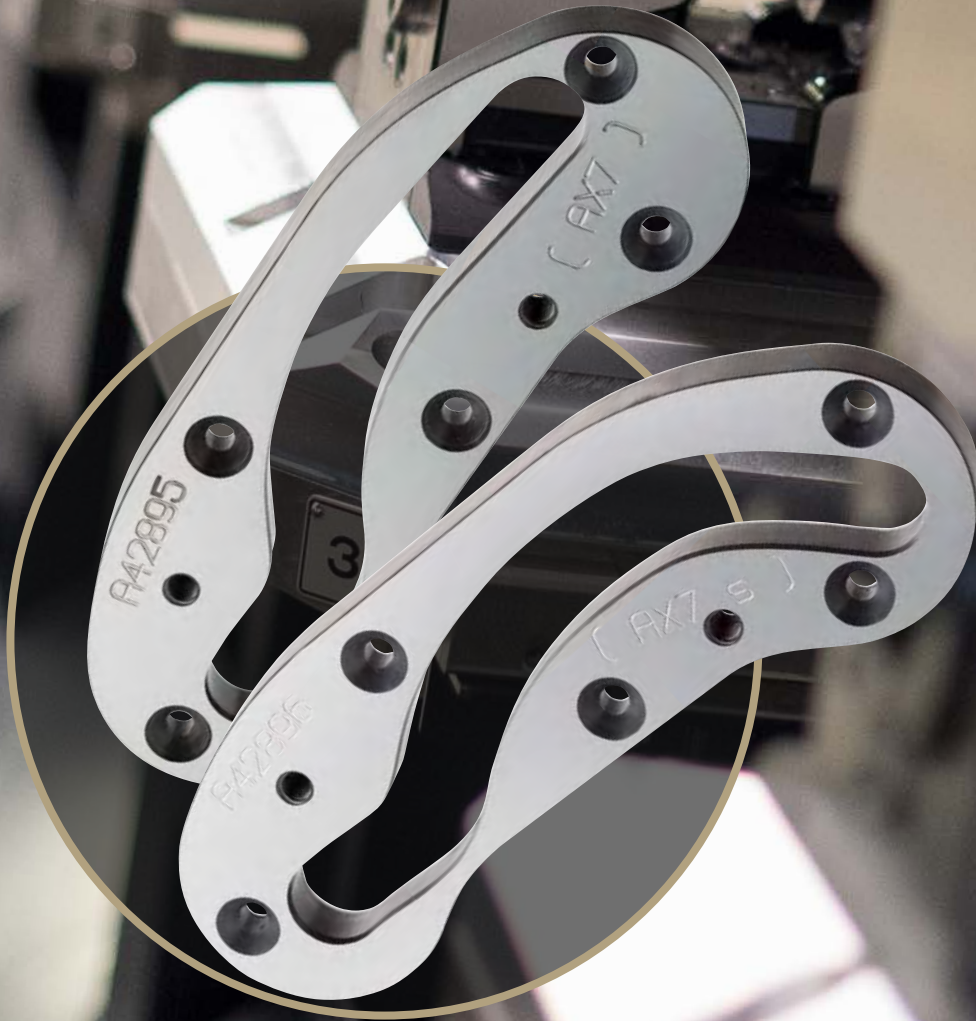
*Rubber Rollers*



*Diamond pads narrow arms*



# Spare Parts

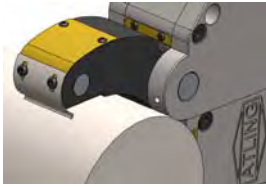




## Wiper

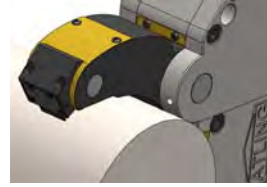
Wiper to remove dirt and chips from workpiece.

### Standard work piece wiper seals.



Atling SteadyRest can also be equipped with a standard wiper seal. The wiper seals have the same diameter and is fitted on the arm.  
*Manual adjustable.*

### Resilient work piece wiper seal.



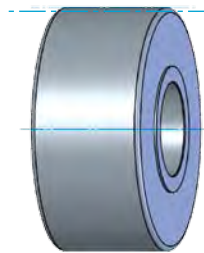
Resilient work piece follow the work piece diameter and do not need to be adjusted. Note that the minimum diameter can be increased when using this seal.

**Find the right part number.**

Model	AX1	AX2	AX3	AX4	AX5	AX6	AX7	AX8	AX8,5	AX8,7	AX9	AX10	AX11
Standard	A51001	A51002	A51002	A51004	A51005	A51005	A51007	A51008	A51009	A51009	A51009	A51010	A51011
Resilient		A50002	A50002	A50004	A50005	A50005	A50007	A50008	A50009	A50009	A50009	A50010	A50011

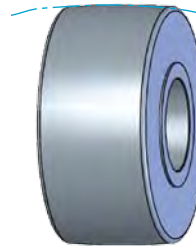
## Atling Steady Rest roller

### Cylindrical Roller



Used to hold the work piece. This type of roller have nearly a plain surface, and therefore this is standard when the Steady Rest is fixed during the processing.

### Cambered Roller



Used for traveling Steady Rest with the work piece. This type of roller have a convex surface, and is usually used when the Steady Rest is moving along the work piece during the process.

**Find the right part number.**

Model	1	2	3	4	5	6	7	8	8,5	8,7	9	10	11
Cylindrical	A5055044	A5055040	A5055040	A5055014	A5055026	A5055026	A5055005	A5055008	A5055017	A5055017	A5055017	A5551310	A5551311
Cambered	A5055050	A5551203	A5551203	A5551204	A5551205	A5551205	A5551207	A5551208	A5551209	A5551209	A5551209	A5551210	A5551211

## Swing Away

Swing Away option if you need the arms to open an extra amount when changing the work piece. The Swing Away can be applied to either the upper, the lower, or both arms. What ever you choose, the size for the Steady Rest will have the same gripping range.

### Track Plate



### Track Plate Swing



**Find the right part number.**

Model	AX1	AX2	AX3	AX4	AX5	AX/AS6	AX/AS7	AX/AS8	AX8,5	AX8,7	AX9	AX10	AX11
Standard	A43007	A42932	A42973	A42981	A42946	A42875	A42895	A42989	A43160	A30941	A42899	A43227	A43241
Swing Away	A43006	A42933	A42972	A42982	A42947	A42874	A42896	A42988	A43161	A30942	A42898	A43228	A43242

### Seal Kit Cylinder

Seal Kit Cylinder for AXI- and ASI-models



Seal Kit Cylinder for AXE- and ASE-models



Find the right part number.

Model	1	2	3	4	5	6	7	8	8,5	8,7	9	10	11
AXI/ASI				A5550412	A5550512	A5550612	A5550712	A5550812	A5550912	A5550912	A5550912	A5551012	A5551112
AXE/ASE	A5550102	A5550202	A5550302	A5550402	A5550502	A5550602	A5550702	A5550802	A5550902	A5550902	A550902	A5551002	A5551102

### Mini Booster Kit/Mini Booster

Seal Kit for Mini Booster



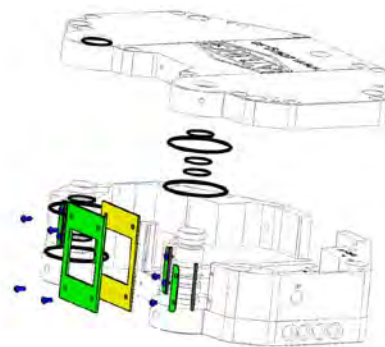
Mini Booster



Find the right part number.

	1	2	3	4	5	6	7	8	8,5	8,7	9	10	11
Mini Booster				A5235034	A5235034	A5235034	A5235034	A5235034	A5235034	A5235034	A5235034	A5235034	A5235034
Seal Kit for Mini Booster				A5550506	A5550506	A5550606	A5550606	A5550606	A5550606	A5550606	A5550606	A5550606	A5550606

### Seal Kit House



Find the right part number.

Model	1	2	3	4	5	6	7	8	8,5	8,7	9	10	11
AXI/ASI				A5550401	A5550501	A5550601	A5550701	A5550801	A5550901	A5550901	A5550901	A5551001	A5551101
AXE/ASE	A5550101	A5550201	A5550301	A5550401	A5550501	A5550601	A5550701	A5550801	A5550901	A5550901	A5550901	A5551001	A5551101

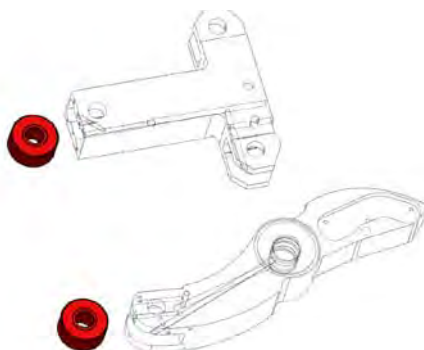
### Shafts Kit



Find the right part number.

Model	1	2	3	4	5	6	7	8	8,5	8,7	9	10	11
AXI/ASI				A5550405	A5550505	A5550605	A5550705	A5550805	A5550905	A5550905	A5550905	A5551005	A5551105
AXE/ASE	A5550105	A5550205	A5550305	A5550405	A5550505	A5550605	A5550705	A5550805	A5550905	A5550905	A5550905	A5551005	A5551105

### Rollers Kit

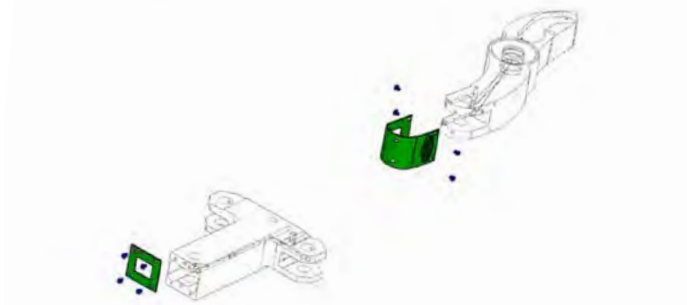


Find the right part number.

Model	1	2	3	4	5	6	7	8	8,5	8,7	9	10	11
AXI/ASI				A5550404	A5550504	A5550604	A5550704	A5550804	A5550904	A5550904	A5550904	A5551004	A5551104
AXE/ASE	A5550104	A5550204	A5550304	A5550404	A5550504	A5550604	A5550704	A5550804	A5550904	A5550904	A5550904	A5551004	A5551104

### Wipers Kit

Standard work piece wiper seals.



Find the right part number.

Model	1	2	3	4	5	6	7	8	8,5	8,7	9	10	11
AXI/ASI				A5550403	A5550503	A5550603	A5550703	A5550803	A5550903	A5550903	A5550903	A5551003	A5551103
AXE/ASE	A5550103	A5550203	A5550303	A5550403	A5550503	A5550603	A5550703	A5550803	A5550903	A5550903	A5550903	A5551003	A5551103

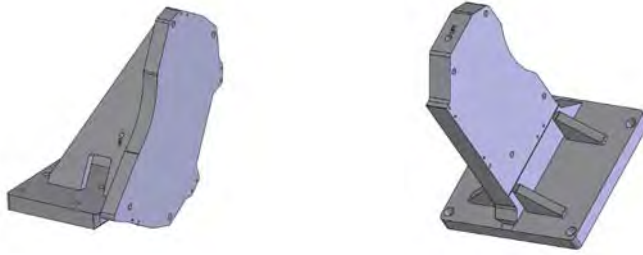


# Accessories



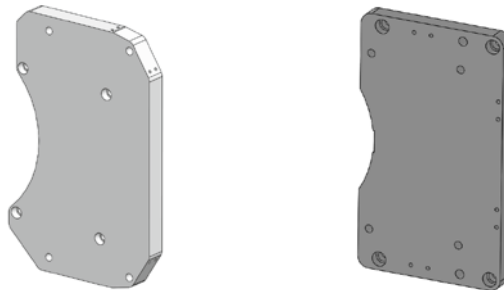
## Bracket

Atling can offer you a bracket. It will be unique for each particular machine.



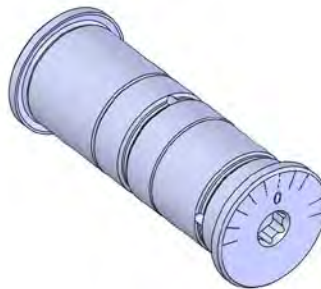
## Adapter plate

Atling can offer you an adapter plate. The adapter plate differs depending on the bracket.



## Eccentric Fine Adjustment Kit

Eccentric roller pins on the arms allowed a quick fine adjustment of the center line.



## In line filter

Minimize the risk of foreign particles in the hydraulic system that could damage the booster, and provide steady rest longer lifetime.

Part Number: A5065306





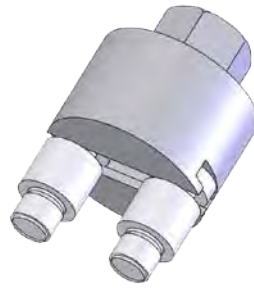
# Special Tools



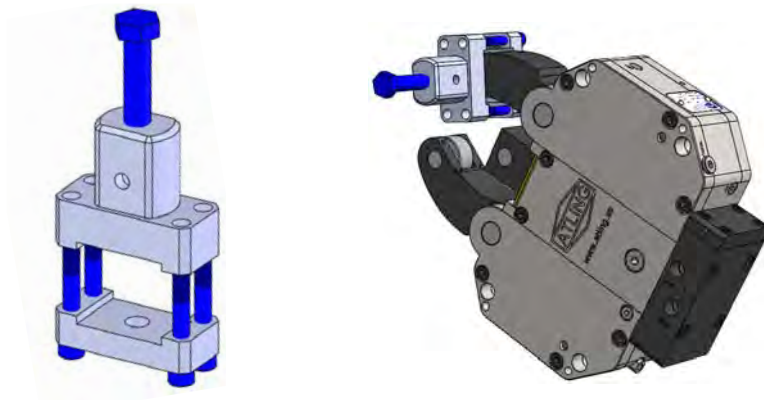


## Mini Booster Tool

Part Number: A43262



## Shaft Remover

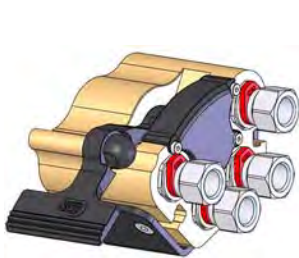


Find the right part number.

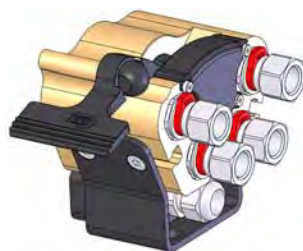
Model	1	2	3	4	5	6	7	8	8,5	8,7	9	10	11
AXI/ASI	A43256	A43252	A43252	A43194	A43194	A43194	A43175	A43175	A43200	A43200	A43200		

## Multi-X Couplings

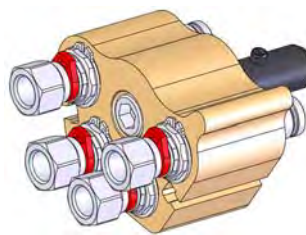
Multi-X Couplings, the quick way to connect hydraulic, cooling and automatic lubrication in the same time. And even possible to have the electrical connections for example sensors in the same coupling.



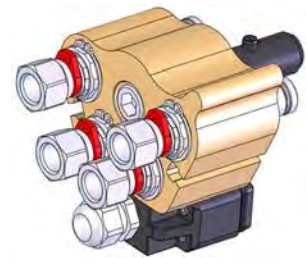
Art.No: A5065308



Art.No: A5065308 + A5065311



Art.No: A5065309



Art.No: A5065309 + A5065310









The ATLING logo is a blue hexagon with the word "ATLING" in white, bold, uppercase letters inside a white rectangular box.

**ATLING**

***THE NEXT GENERATION  
SELF CENTERING STEADY RESTS***

**Atlings Maskinfabrik AB**

P.O. Box 21, SE 816 25 Ockelbo, Sweden  
Tel: +46 297 557 00 Fax: +46 297 416 00  
[www.steadyrest.se](http://www.steadyrest.se)