

BME INC.

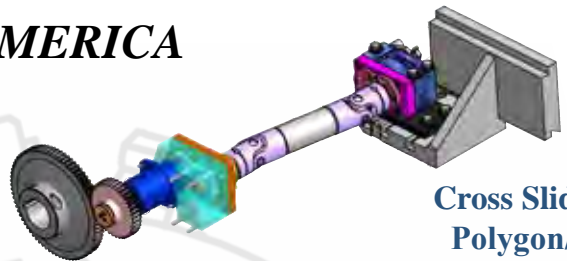
Screw Machine Solutions

Providing quality attachments for any screw machine challenge through original innovative design and engineering, with proven results!
PROUDLY MADE IN AMERICA



630 Holder

Pickoff & Back Finish



Cross Slide Polygon/Thread Milling



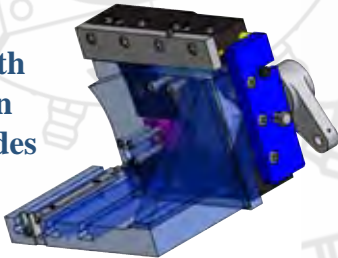
Cut-Off Holder

Synchronized Milling

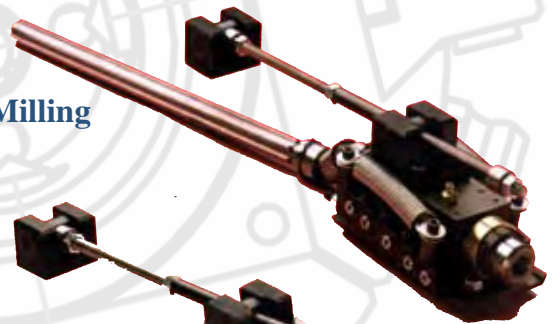


Synchronized Cross Drilling

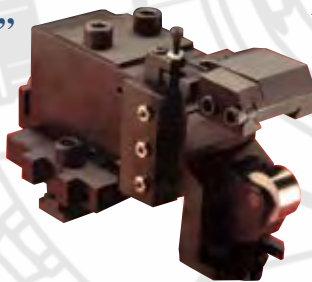
3rd & 6th Position Shelf Slides



Recess Milling



Model "B" Shave



Stationary Recess



Shank Shave



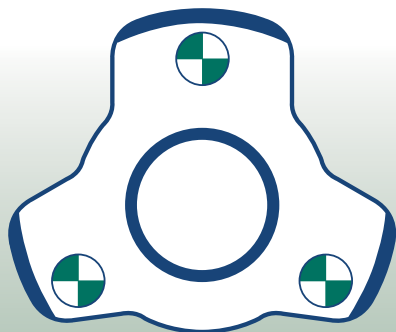
www.bmeattachments.com

3777 Lapeer Avenue, Suite 2A - Port Huron, MI 48060

Office 810.937.2974 / Fax 810.937.2975

- You will find the highest standard and quality in all of our products.
- The customer service that you will receive for your screw machine needs will always meet your expectations as we pride ourselves on supplying everything our customers need.
- You will find that all of the attachments from BME Inc. are made in the U.S.A.
- You will never have to worry about service as we service what we sell and you will always find the spare parts you need in-stock and ready to ship.
- Our customers find that our attachments and other screw machine products are the best and state that BME Inc. uses only the finest materials and workmanship.
- 100% customer satisfaction is our commitment to our customers.
- Our products are a perfect integration between attachment and machine.
- We assist our customers in preparation for the future with complete process manufacturing.
- Is complete processing a leap of faith or an unmatched competitive advantage?

- | | | | |
|---|---|----|---|
| 2 | Heavy Duty Cross Slide
Polygon/Thread Mill | 8 | Synchronized Slotting
Milling |
| 3 | Synchronized
Cross Drilling | 9 | End Tool Slide
Stationary Milling |
| 4 | Pick-Off & Back Finish | 10 | Attachment Rebuilding |
| 5 | Back Finish Slide Assembly | 11 | Replacement Parts List |
| 6 | Shave Tool Holders | 12 | 3rd & 6th Position
Shelf Slide |
| 7 | Heavy Duty
Recess Attachments | 13 | Services Provided |



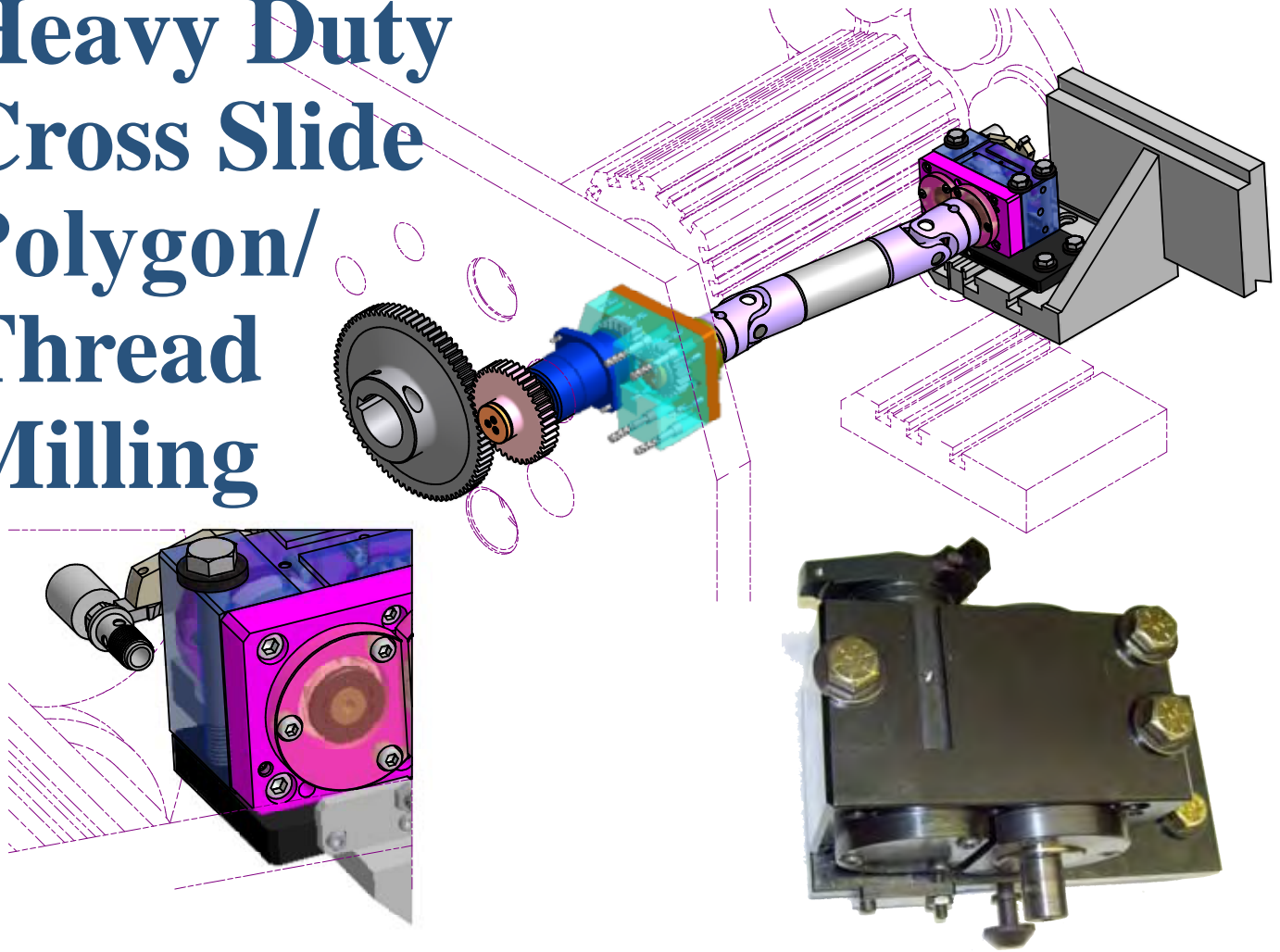
BME INC.
Screw Machine Solutions

When it has to be right!

www.bmeattachments.com

Office 810.937.2974 / Fax 810.937.2975

Heavy Duty Cross Slide Polygon/ Thread Milling



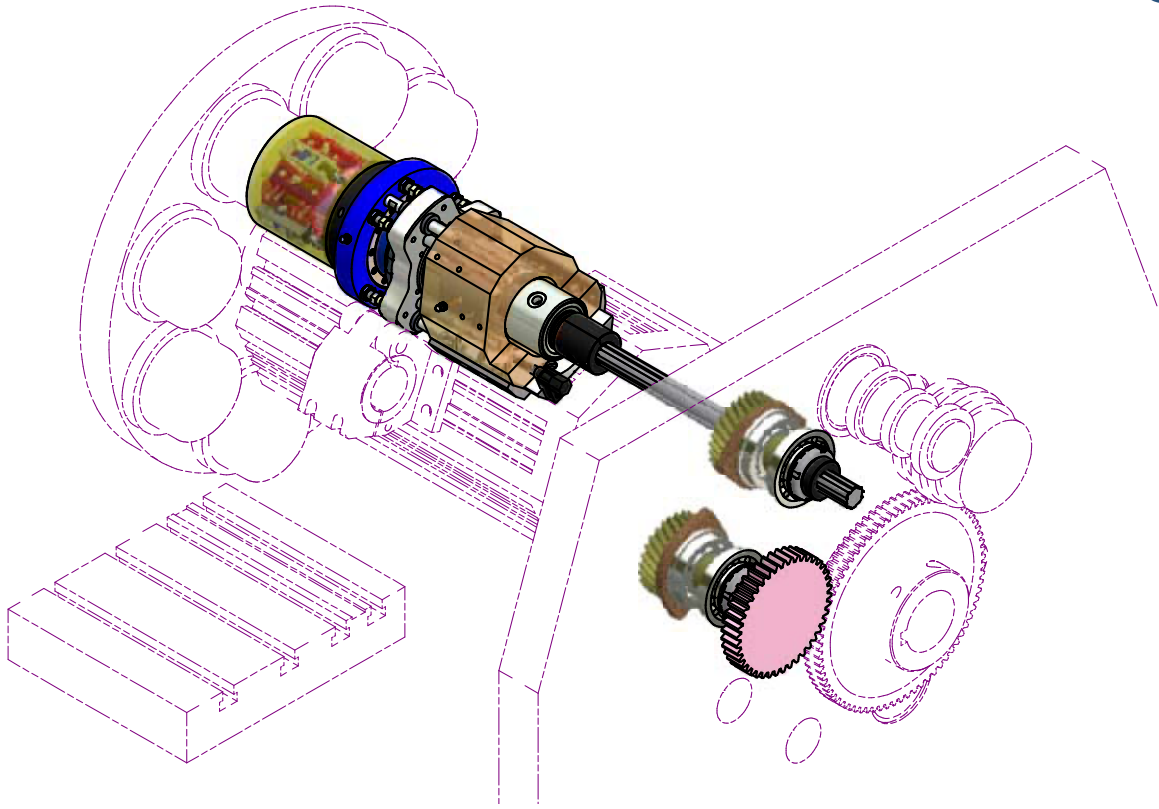
- One attachment does both the Thread Mill and Polygon
- Heavy-Duty Polygon allows machining in steel
- Attachment Drives 1-to-1 or 2-to-1 with change gears
- Heat-Treated gears and components
- Sealed Cutter Box and Transmission with constant lubrication
- Drives off standard Pickoff Gear
- Polygon cutters use inserts
- Attachment fits multiple position with only changing the base plates
- Industry leading Thread Mill Attachment has taper adjustment for exact pitch straightness



www.bmeattachments.com

Office 810.937.2974 / Fax 810.937.2975

Synchronized Cross Drilling



Available for most Multi-spindle Automatics

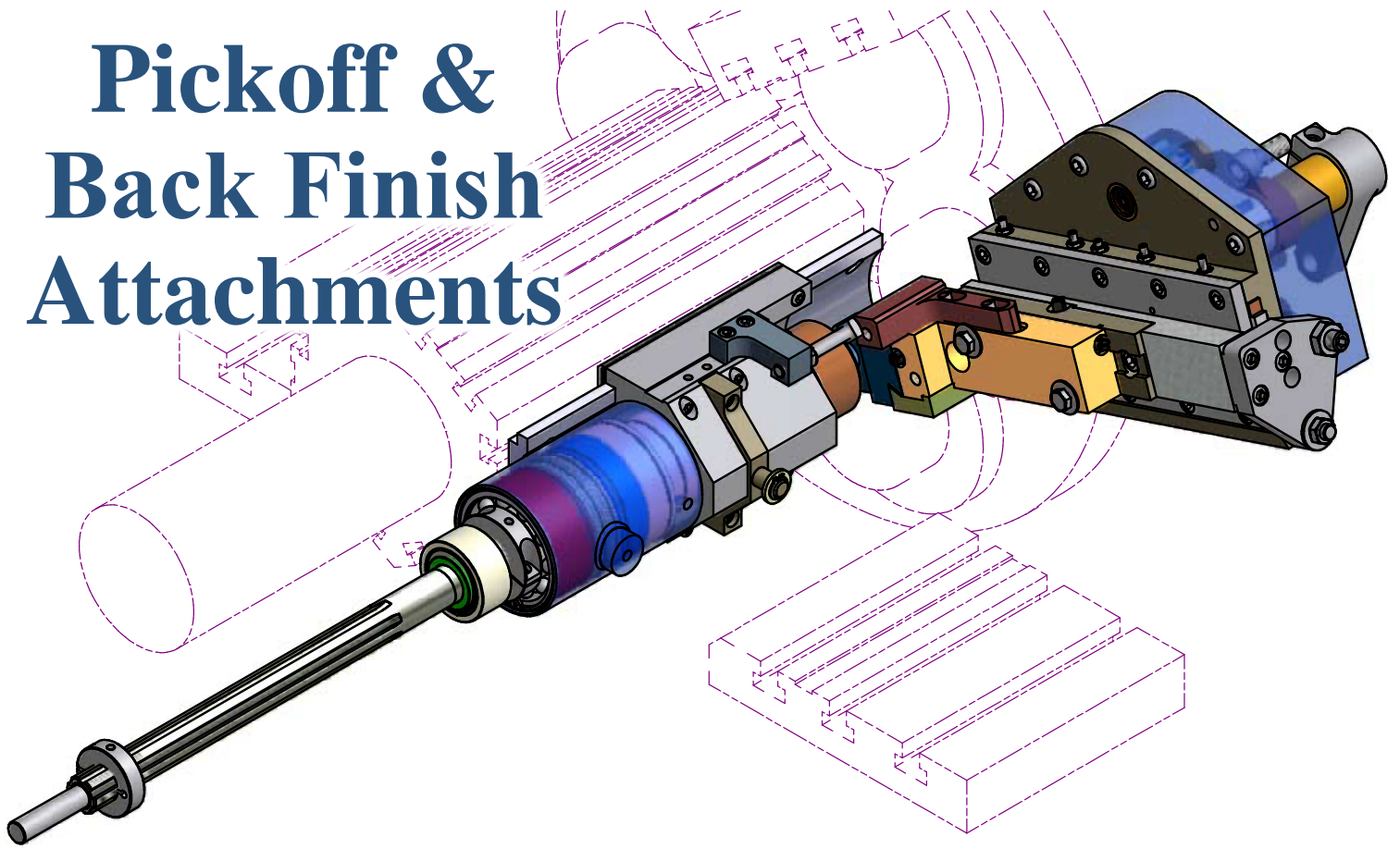
- **Drill Cross Holes without Spindle Stopping**
- **1/2" Capacity Cross Holes**
- **Quick Change Drill Cap Assembly allows fast and easy tooling change**
- **Simple individual adjustments for Drills**
- **High Pressure Coolant Distributor**
- **Patent Pending Design**
- **Drill 1 to 4 Holes**
- **Installation included**



www.bmeattachments.com

Office 810.937.2974 / Fax 810.937.2975

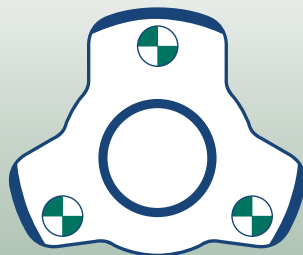
Pickoff & Back Finish Attachments



- Standard National Acme Pickoff Attachments
- Manufactured to Acme specifications
- Made from high quality materials
- Slides are hardened and ground
- Pneumatic packages available
- Engineered for custom applications

**Free Installation included
with purchase of entire
Pickoff/Backfinish
Assembly**

TRAINING ON SITE



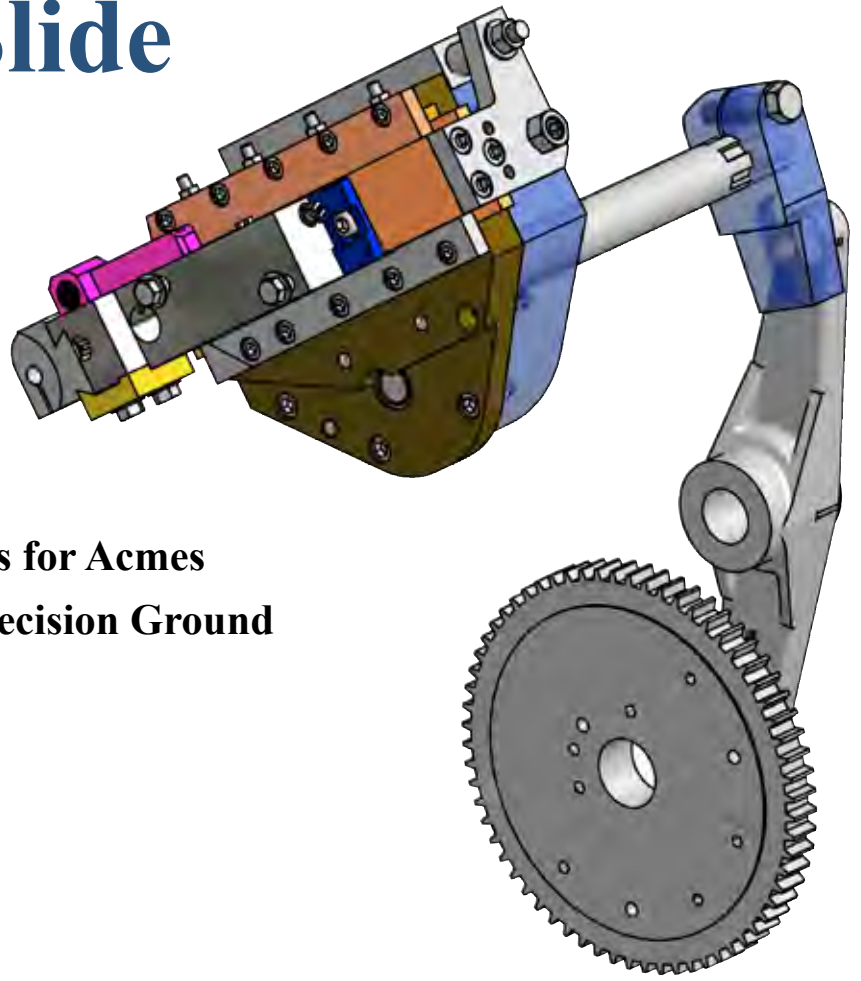
BME INC.
Screw Machine Solutions

Service you can trust!

www.bmeattachments.com

Office 810.937.2974 / Fax 810.937.2975

Back Finish Slide Assembly



- Complete Back Finish Assemblies for Acmes
- Tool Blocks Heat-Treated and Precision Ground
- Heat-Treated Gears
- Replaces Standard Acme
- Competitively Priced
- Installation available
- Custom Tool Blocks
- Trade-In available
- Special engineering for any type of part
- Training on-site always available

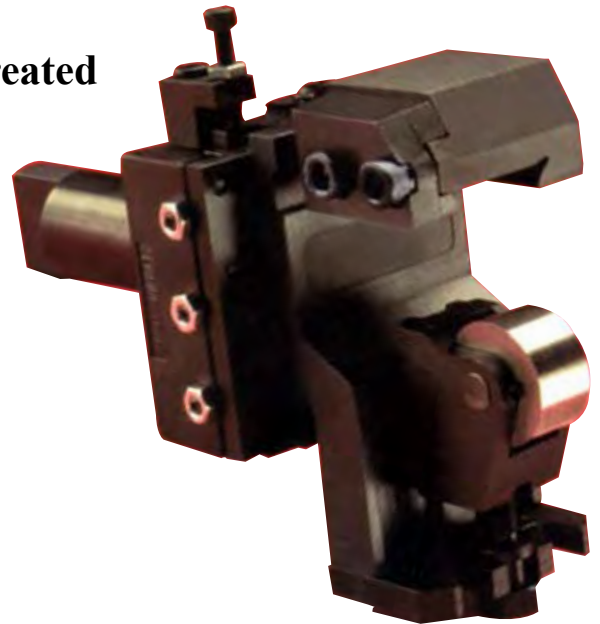
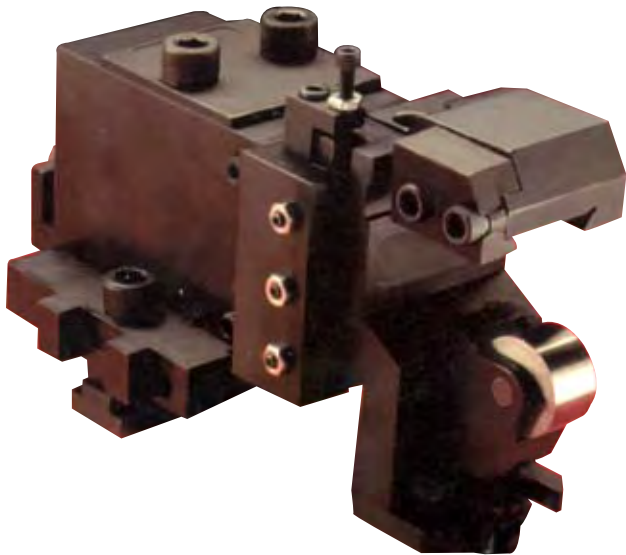


www.bmeattachments.com

Office 810.937.2974 / Fax 810.937.2975

Shave Tool Holders

- **New and improved shave tools and mounting blocks for Acme, New Britain, Wickman, Warner Swasey, Cone and Davenport.**
- **Machined out of solid, top-quality, tool steel**
- **Mounting Blocks and slide parts are Heat-Treated & Precision Ground**
- **Replacement parts for your original Empire Shave, Recess attachments and holders.**



**Complete replacement
part lists available for
all of your former
Empire Style products**

Call BME Inc. at 810-937-2974



BME INC.
Screw Machine Solutions

Quality you deserve!

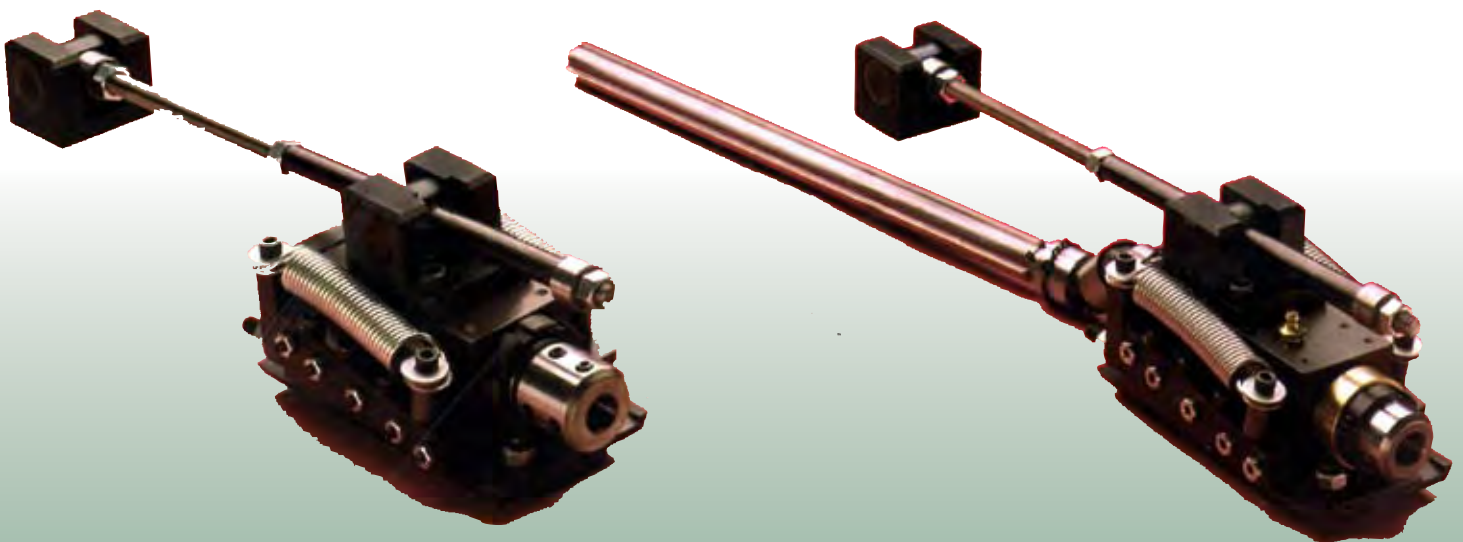
www.bmeattachments.com

Heavy Duty Recess Attachments

- **Standard Recess Holders are available for most multiple spindle machines 9/16" through 3-1/2" capacity with short lead time.**
- **Price discounts for multiple units**
- **Faster Set-up - All adjustments simple and convenient to operator**
- **Rugged Construction - All moving parts hardened; heavy duty base and slide made of 6150 steel and heat treated to 40-45C Rockwell.**
- **Effective Chatter Control - Tool steel rectangular gib with easily accessible set screws provides for fine adjustment without binding**
- **Flat ways are hardened and precision ground to provide smooth slide action for better recesses**
- **Heavy-Duty return springs located outside eliminate chip clogging.**
- **Rotary mills have extra heavy-duty spindle and bearing assembly for added rigidity.**

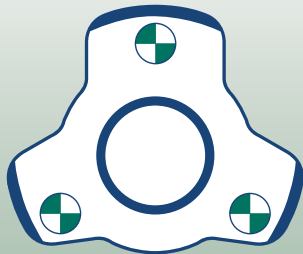
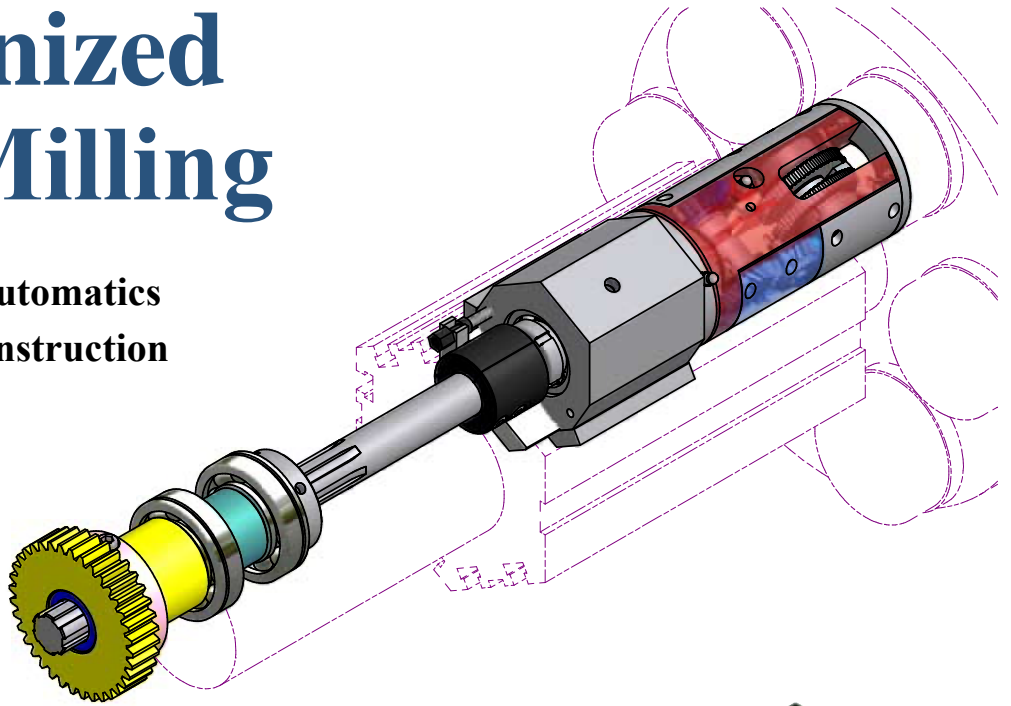
**Complete replacement part lists available
for all of your former Empire Style products.**

Call BME Inc. at 810-937-2974



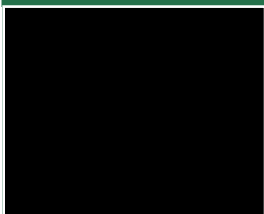
Synchronized Slotting/Milling

- Fits most multiple spindle automatics
- Heavy-Duty All Bearing Construction
- 1/2" Wide Cutter Width
- Easy installation
- Hardened & Ground Components
- Face Plate System allows Support Bushings
- Robust Dual Supported Cutter Shaft
- High Pressure Coolant Ports
- Heat-Treat Gear System
- Tramble Way Plate System
 - No Boring required
- Attachment Drive Unit is included
- Attachment Top RPM = Machine Top RPM



BME INC.
Screw Machine Solutions

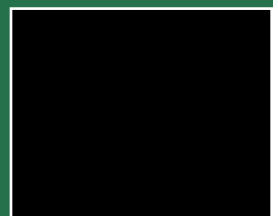
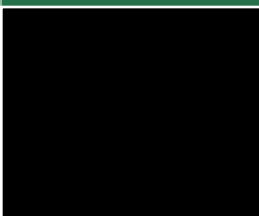
Quality you deserve.



**MADE
IN THE
U.S.A.**

End Tool Slide Stationary Milling

- **Mechanical Drive from Pickoff Gear**
- **Sealed Housing with Lubrication points**
- **Change Gear System allows for 30 different cutter speed combinations**
- **Support Bushing available for small parts**
- **Designed for Spindle Stop machines**
- **Max. Speed = Machine Max. Speed**
- **Interchangeable Base Plates for variety of machines**



Attachment Rebuilding

We can handle your rebuild project start to finish!

Can't find a part for your existing attachment?

Call us, we can make it for you!

- Slide Scraping & Grinding
- Gearbox Rebuilding
- In-Line Boring
- Complete Rebuilding & Training
- On Site Service
- Attachment Installation
- Send us your worn attachments for a repair evaluation & quick turnaround repairs.

Only quality replacement parts used!



**Complete replacement part lists available for
all of your former Empire Style products**

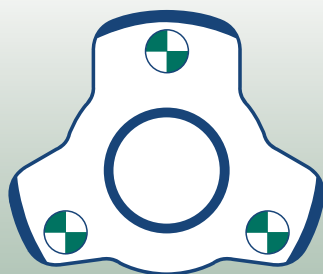
Call BME Inc. at 810-937-2974

www.bmeattachments.com

Replacement Parts and Tool Holders:

Save money - Tune up your existing Empire shave, recess attachments and tool holders with genuine replacement parts.

- Shave Heads
- Dovetail Clamps
- Adjustable Plates
- T-Slot Bolts
- Spring Adjustable Screws
- Roller Brackets
- Roller Pins
- Adjustable Screw Rollers
- Adapter Plates
- Wide/Narrow Rails
- Gibs
- Adjustable Brackets
- Compression Springs
- Bases
- Lower Bases
- Keys
- T-Nuts
- Cover Plates
- Head Bolts
- Head Pins
- Adjustable Brackets
- Adjustable Screws
- Bushings
- Shanks
- Springs (all sizes)
- Slides
- Slide Plates
- Draw-bar Brackets
- Grease Seals
- Oil Rings
- Snap Rings
- Retainers
- Spacers
- Threaded Pins
- Stationary Brackets
- Sleeves
- U-Joints
- Splines
- Bearings
- Lock Nuts
- Lock Washers
- Grease Fittings
- Snap Rings
- Base Housings
- Couplings
- Pinion Gears
- Bevel Gears
- Gear Shafts
- Spur Gears
- Arbors
- Lock Screws
- Base Mounts
- Base Housings
- Head Shafts
- All Fasteners



BME INC.
Screw Machine Solutions

When it has to be right!

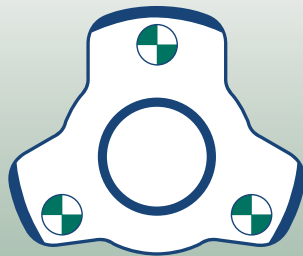
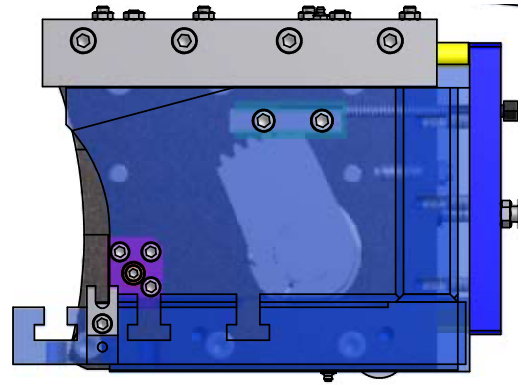
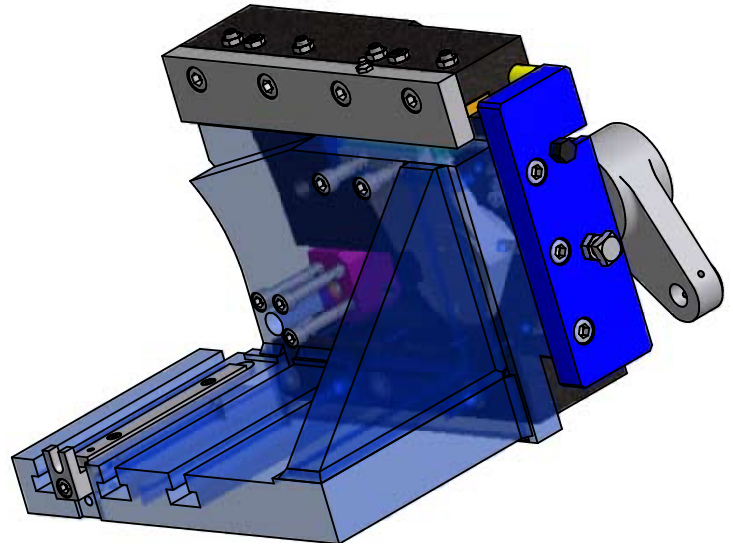


www.bmeattachments.com

Office 810.937.2974 / Fax 810.937.2975

3rd & 6th Position Shelf Slides

- **New Shelf Slide for Acmes**
- **Slides are Ground & Square**
- **Slide is hand-scraped into base for maximum contact area**
- **Extra lubrication points for longevity**
- **Slides are manufactured to National Acme Specifications**
- **Replacement parts available**
- **Rebuilding service for your existing slides**
- **Trade in your worn out slides**
- **Installation available**



BME INC.
Screw Machine Solutions

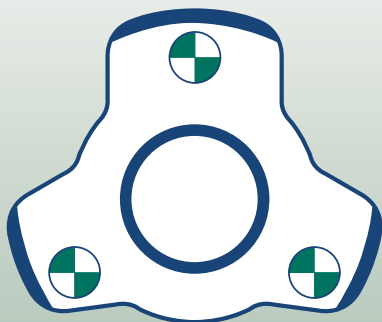
Service you can trust!

www.bmeattachments.com

We can provide the solution for any screw machine challenge through original innovative design and engineering, with proven results!

Services Provided:

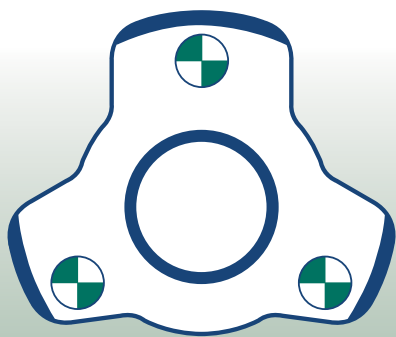
- **Special Attachments**
- **Pickoff and Backfinish**
- **Threadmilling Attachments**
- **Polygon Attachments**
- **Synchronous Drilling**
- **Synchronous Slotting**
- **Straddle Milling Attachments**
- **New Shelf Slides 3rd & 6th**
- **Screw Machine Rebuilding**
- **Machine Repair**
- **Professional Installation**
- **Attachment Rebuilding**



BME INC.
Screw Machine Solutions

www.bmeattachments.com

3777 Lapeer Avenue, Suite 2A • Port Huron, MI 48060
Office 810.937.2974 • Fax 810.937.2975



BME INC.
Screw Machine Solutions

When it has to be right!

www.bmeattachments.com

Office 810.937.2974 / Fax 810.937.2975