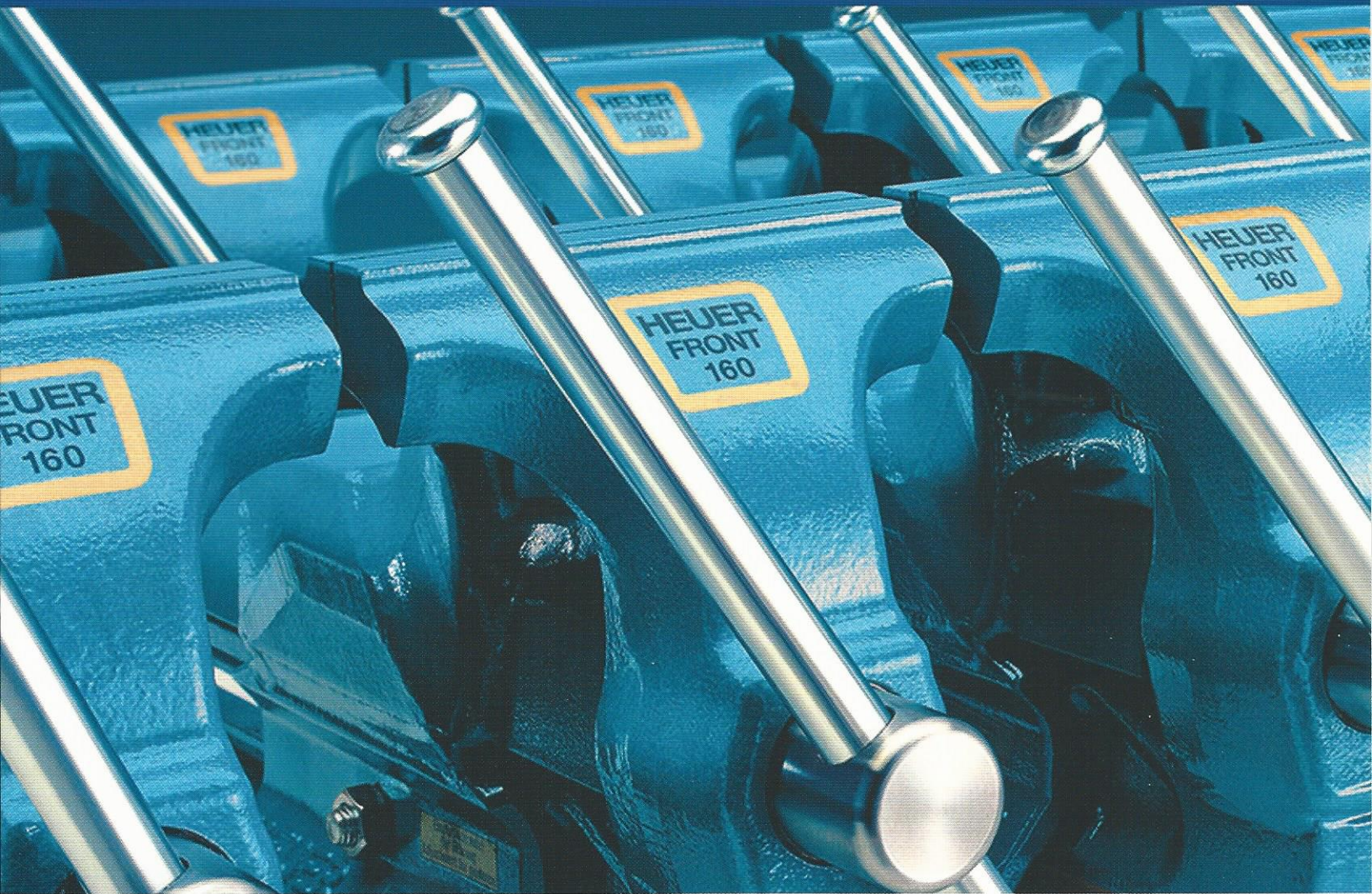


Heck] [HEUER

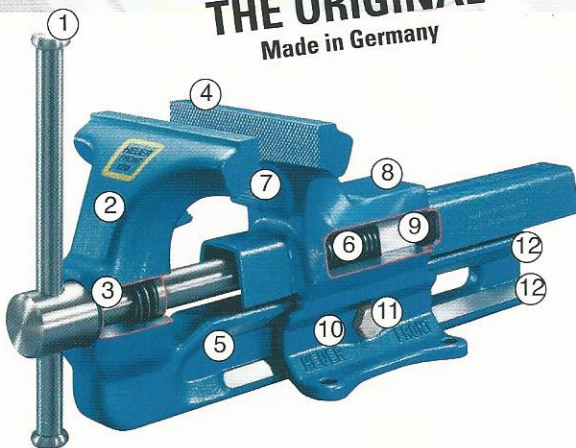


THE ORIGINAL

Tools for Professionals
THE ORIGINAL
Made in Germany

Heck] [HEUER Vise

1. Zinc spindle key with riveted safety rings made of steel
2. Drop-forged front jaw
3. Protected precision spindle bearing
4. Surface-hardened clamping jaws
5. Slim but stable guide tracks (drop-forged) provide greater clamping depth
6. High, optimally distributed clamping force from the centrally located and well-protected spindle with double action trapezoid thread allowing quick opening and closing
7. Hardened pipe-gripping jaws as production standard
8. Drop-forged rear jaw with specially formed anvil
9. Strong, forged spindle nut
10. Finished drop forged guiding brackets
11. Guide adjustable by centrally located screw
12. Internal dual-prism guide track preventing fouling and damages. Large track surfaces fully machined to guarantee precision and long service life.



FORGED STEEL

HEUER Vise the original - forged entirely from steel!



4" VH100100 **\$269.99**

5" VH100120 **\$369.99**

5.5" VH100140 **\$499.99**

6" VH100160 **\$679.99**

7" VH100180 **\$749.99**

The Heuer vise is the finest bench vise in the world.
Born in Germany and still made in Germany.
In 1925 Josef Heuer was granted his first patent for the
"Duel Prism - Guide Track" design.

The Heuer vise is constructed from a forged steel frame, 35% stronger than cast iron, making it the best choice for precision, smooth as silk machined surfaces and indestructible vise.

HEUER Vise
with replaceable, reversible jaws

5" VH101120 **\$459.99**

5.5" VH101140 **\$619.99**

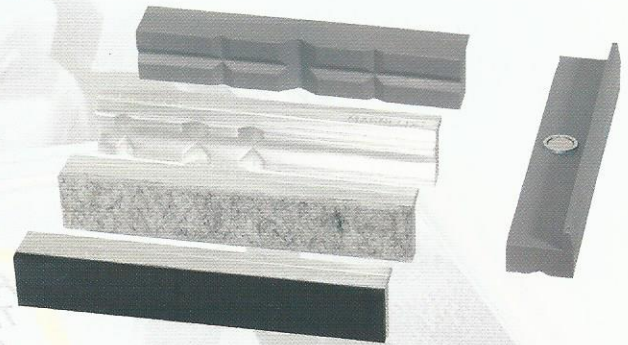
6" VH101160 **\$849.99**



MAGNETIC SNAP-IN PROTECTIVE JAWS

Size	POLYURETHANE	Price	ALUMINUM	Price
100 (4")	VCH108100	\$54.99	VCH109100	\$61.99
120 (5")	VCH108120	\$59.99	VCH109120	\$64.99
140 (5.5")	VCH108140	\$62.99	VCH109140	\$69.99
160 (6")	VCH108160	\$66.99	VCH109160	\$71.99
180 (7")			VCH109180	\$71.99

Size	FELT	Price	RUBBER	Price
100 (4")	VCH113100	\$66.99		
120 (5")	VCH113120	\$69.99	VCH112120	\$59.99
140 (5.5")	VCH113140	\$72.99	VCH112140	\$62.99
160 (6")	VCH113160	\$76.99	VCH112160	\$66.99
180 (7")	VCH113180	\$76.99	VCH112180	\$66.99



FOR USE WITH ALL OUR VISES

Heck - WOODWARD-FAB

Model WFV6.5



CAST IRON VISE 6 1/2" JAWS Industrial Size

- Heavy duty solid cast iron construction
- Swivel base
- Replaceable hardened steel jaws
- Pipe jaws
- Large anvil area
- Sealed ram - Ideal for use around grinding or welding
- Weight 70 pounds

\$329.99



CAST IRON VISE 4" JAWS

- Heavy duty solid cast iron construction
- Swivel base
- Replaceable hardened steel jaws
- Pipe jaws
- Jaws also offer V-grooves for holding rounds such as tube or bolts
- Weight 19 pounds

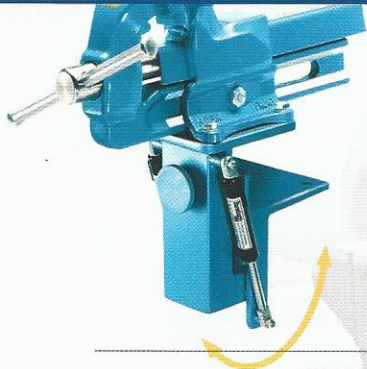
\$79.99



Model WFV4.0

WWW.HECKIND.NET

Heck] [HEUER Vise ACCESSORIES



FOLD & STOW

Simply pull the front knob and the vise slips under your bench. Keeps your bench surface clear.

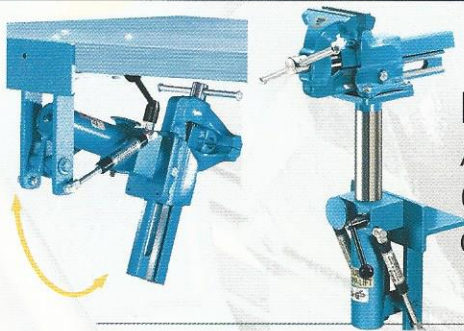
5"	VLH105120	\$559.99
5.5"	VLH105140	\$559.99



ROTATABLE ADJUSTABLE HEIGHT FLOOR STAND

34" - 42" high

5"	VLH117120	\$499.00
5.5"	VLH117140	\$499.00
6" - 7"	VLH117160	\$499.00



FOLD & STOW

Adjustable height 0-7", Rotates 360 degrees.

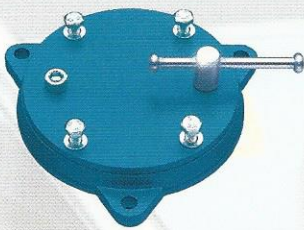
5"	VCLH106120	\$959.99
5.5"	VCLH106140	\$959.99



C-CLAMP MOUNT

Up to 2³/₈" opening

4"	VTC119100	\$72.99
5"	VTC119120	\$106.99



ROTATING BASE

360 degree rotation
Sealed swivel to keep dirt out

4"	VRH103100	\$76.99
5"	VRH103120	\$114.99
5.5"	VRH103140	\$157.99
6" - 7"	VRH103160	\$279.99



Production

Powder Coating

Quality Control

Shipping

Heck

P.O. Box 425 1498 Old U.S. 23 South • Hartland, Michigan 48353
810-632-5400 • 800-886-5418 • www.heckind.net