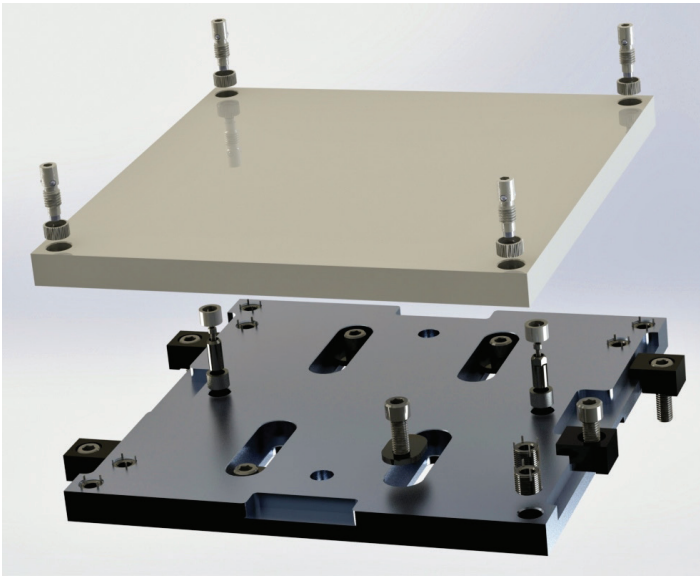




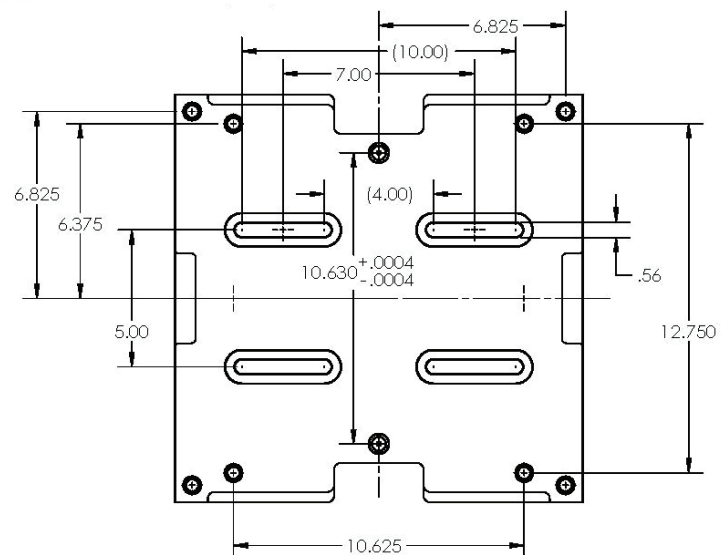
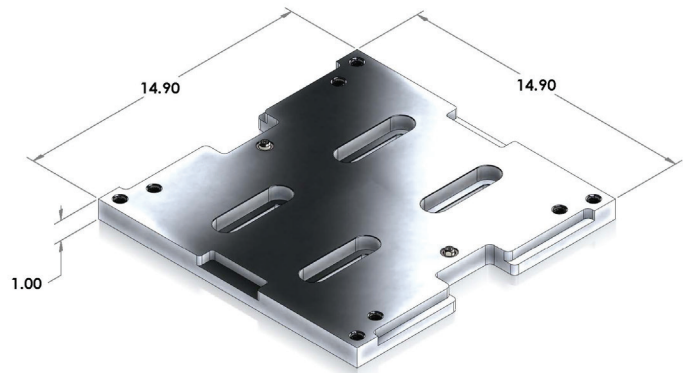
# Quick Change Receiver and Blank Pallet



MITEE-BITE announces the addition of a cost effective simple Quick Change Receiver System allowing for the rapid change out and precise location of small fixture pallets.

The Mitee-Bite Quick Change Receiver is designed to accept any of our current pallets as well as the blank pallet shown. The receiver mounts on t-slot tables, tombstones, sub-plates and our Aluminum T-Slot Grid Plates. Special washers and mounting clamps are provided with the system.

- All hardware recessed allowing the receiver to be skim cut to perfectly match the table.
- Receiver furnished with diamond and taper pins and hardened liner bushings, threaded steel inserts, special washers and mounting clamps.
- Blank pallet is fastened to the receiver with our Loc-Down® System, two turns of the Loc-Down® releases the pallet. 100 lbs. of force for every foot pound of torque.
- The Loc-Down® is not removed from the receiver – lost cumbersome fasteners are a thing of the past.
- No protruding fastener above the surface of the pallet to interfere with tooling.
- High precision for a LOW COST solution!



Part No.	Description
46500	Quick Change Receiver with (4) 1/2-13 Loc-Downs® and Hardware
46600	Quick Change Receiver with (4) M12x1.75 Loc-Downs® and Hardware
46525	Quick Change 1" Blank Pallet with Locating and Loc-Down® Bushings Installed
11500	Loc-Down® (1/2-13)
11612	Loc-Down® (M12x1.75)
11525	Loc-Down® Custom Bushing



See the  
Q.C. Receiver  
in action!