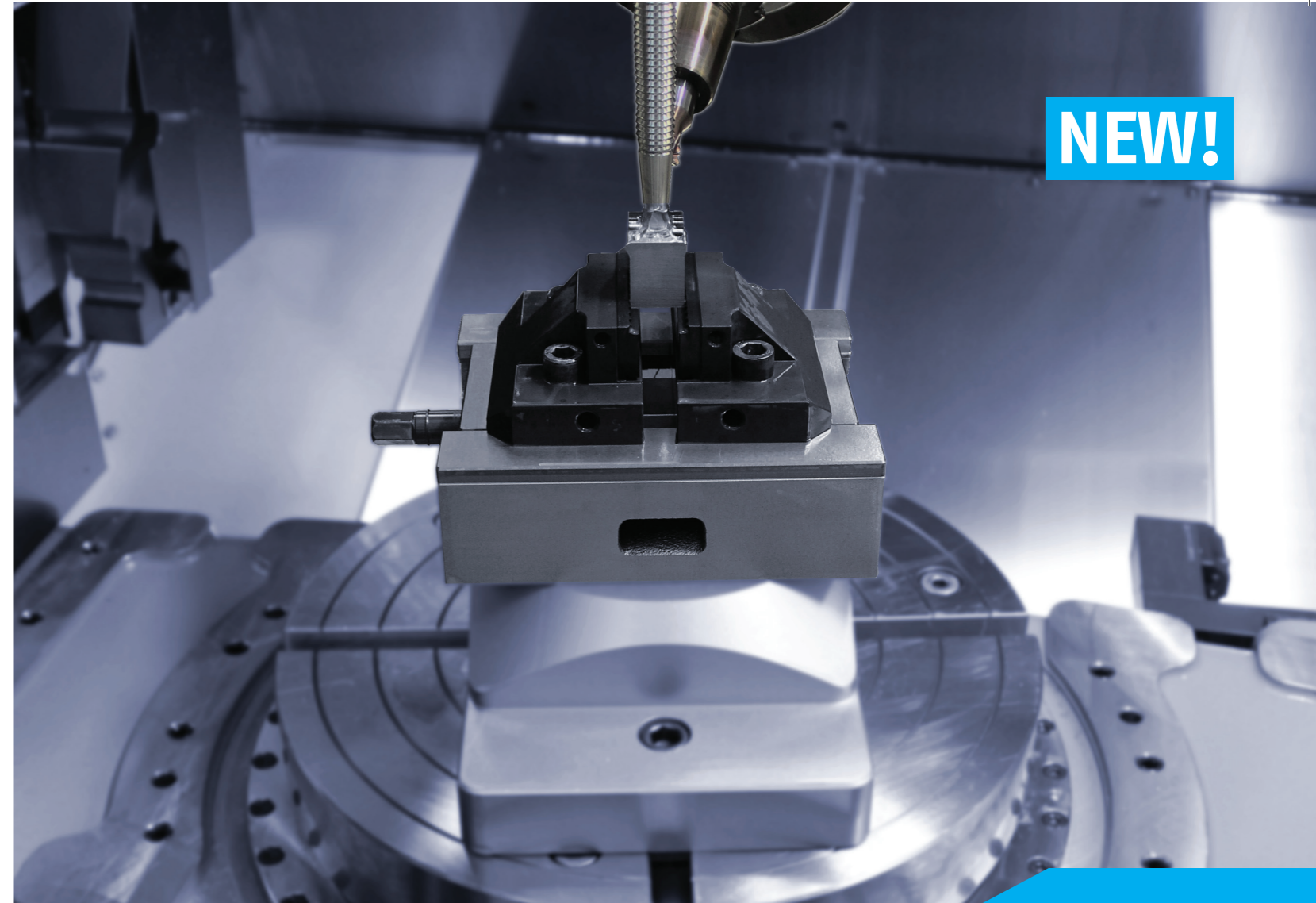


Jaw Options

| Type | Description | Suitable for | ID |
|------|--|--------------|---------|
| | Reversible grip jaw (1 piece) | KSC 80 | 0432715 |
| | | KSC 125 | 0432474 |
| | | KSC 160 | 0432614 |
| | Reversible grip jaw height 40mm 18mm smooth, 3mm grip (1 piece) | KSC 125 | 0430387 |
| | Combi jaw (1 piece) | KSC 125 | 0432468 |
| | 5-axis jaw width 125mm (1 piece) | KSC 125 | 0432472 |
| | Reversible grip jaw width 40mm (1 piece) | KSC 80 | 0432716 |
| | Reversible grip jaw width 65mm (1 piece) | KSC 125 | 0432717 |
| | 5-axis jaw width 65mm (1 piece) | KSC 125 | 0432473 |
| | Aluminum soft jaw (1 piece) | KSC 80 | 0432718 |
| | | KSC 125 | 0432469 |
| | | KSC 160 | 0432623 |



Superior Clamping and Gripping



KONTEC KSC 80/125/160
Self-Centering Vise

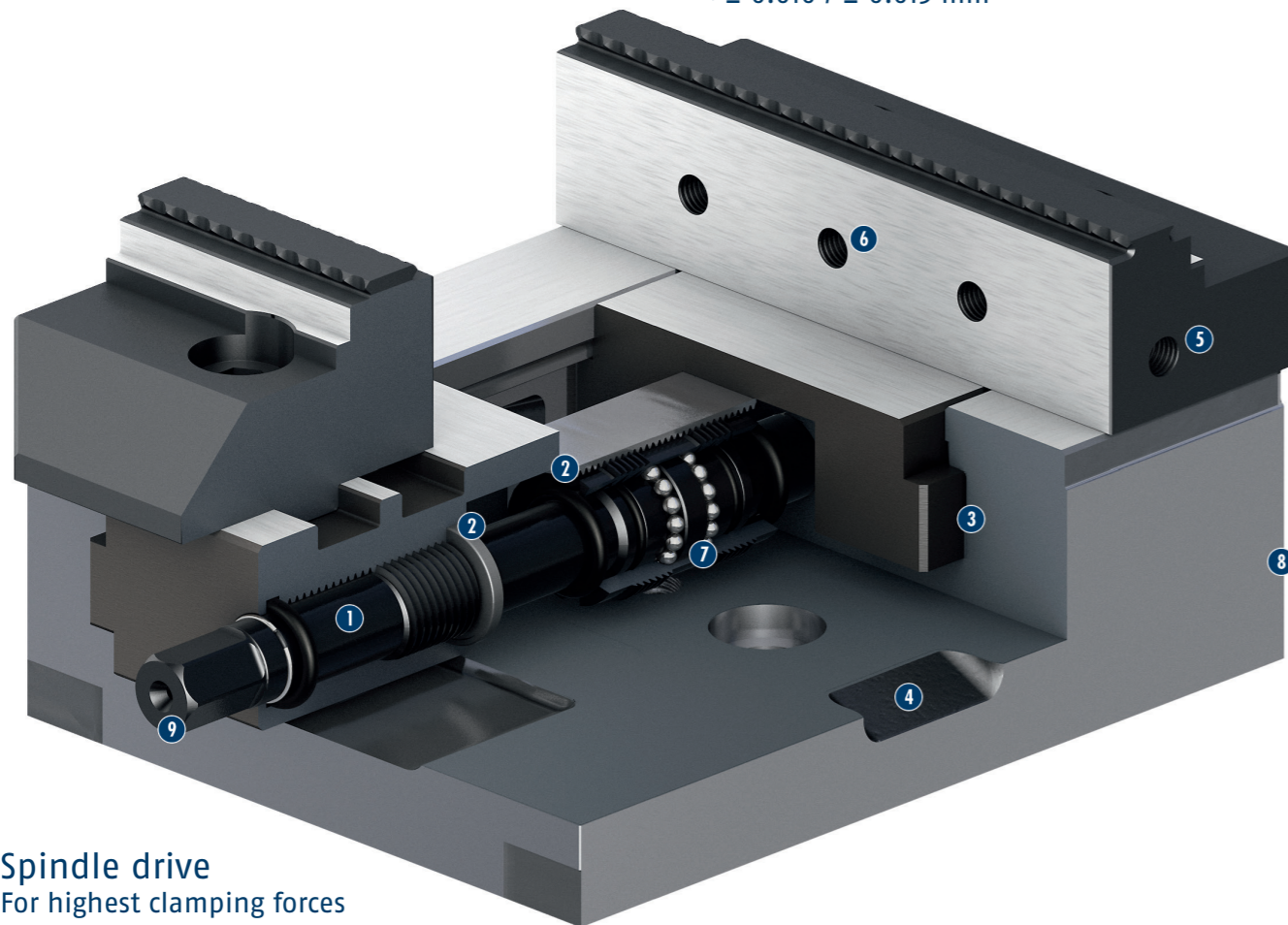
9870044-07/2016 ©2016 SCHUNK INTEC, Inc.



Technology

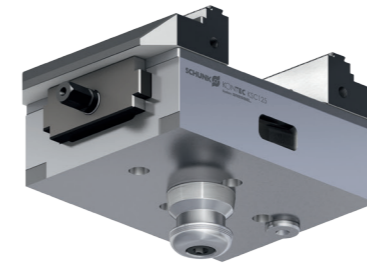
- **Low Profile Design**
Low height and square shape for best workpiece accessibility
- **High Clamping Forces**
Maximum of 50kN for reliable clamping

- **Encapsulated Spindle**
Provides optimal protection against coolant and chips
- **High Repeat Accuracy**
Pre-tensioned ball-bearing spindle:
< ± 0.010 / ± 0.015 mm

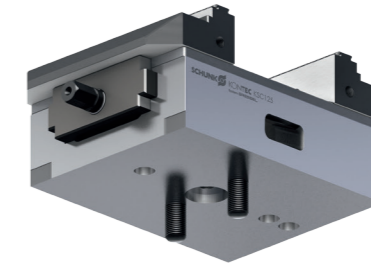


- ① **Spindle drive**
For highest clamping forces
- ② **Double encapsulated spindle**
Provides optimal protection against coolant and chips
- ③ **Long jaw guidance**
Offers optimal support for O.D. - and I.D. - clamping
- ④ **Drainage grooves**
For coolant and chips
- ⑤ **Mounting thread**
Already provided for workpiece stops
- ⑥ **Standard jaw interface**
For using standard SCHUNK top jaws
- ⑦ **Spindle mounted on ball bearings with zero play**
For highest repeat accuracy
- ⑧ **Low height**
Increases the workspace of your machine
- ⑨ **Operation with hexagon connection**
For easy operation

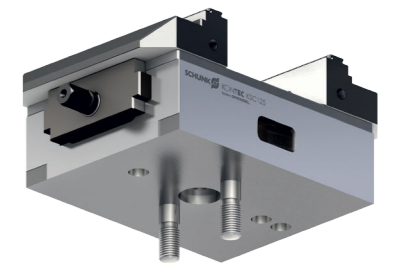
Multiple Mounting Options



Mounting with quick-change clamping system**
**Contact tech support for VERO-S kit



Mounting with two screws



Mounting position arranged with two fitting screws

Vise with Reversible Grip Jaws

| Type | Description | ID | Jaw Width (mm) | max Clamping Force (kN) | Weight (kg) | Price |
|-------------|---|---------|----------------|-------------------------|-------------|--------|
| KSC 80-130 | Self-centering vise w/ reversible grip jaws | 0432713 | 80 | 25 | 4 | \$956 |
| KSC 125-160 | Self-centering vise w/ reversible grip jaws | 0432463 | 125 | 35 | 6.4 | \$1344 |
| KSC 125-300 | Self-centering vise w/ reversible grip jaws | 0432464 | 125 | 35 | 11.8 | \$1898 |

Vise Only

| Type | Description | ID | Jaw Width (mm) | max Clamping Force (kN) | Weight (kg) | Price |
|-------------|---|---------|----------------|-------------------------|-------------|--------|
| KSC 80-130 | Self-centering vise (not supplied w/jaws) | 0432714 | 80 | 25 | 3 | \$681 |
| KSC 125-160 | Self-centering vise (not supplied w/jaws) | 0432465 | 125 | 35 | 6.4 | \$996 |
| KSC 125-300 | Self-centering vise (not supplied w/jaws) | 0432466 | 125 | 35 | 11.8 | \$1550 |
| KSC 160-480 | Self-centering vise (not supplied w/jaws) | 0432613 | 160 | 50 | 35 | \$3995 |

For more information on our comprehensive manual clamping technology, please visit www.us.schunk.com, or call customer service at 800.772.4865