

# AHB

TOOLING & MACHINERY, INC.

COMPLETE METALWORKING SOLUTIONS  
(800) 991-4225 [www.ahbinc.com](http://www.ahbinc.com)  
ISO Certified [customerservice@ahbinc.com](mailto:customerservice@ahbinc.com)



Superior Clamping and Gripping

**SCHUNK** 

**KONTEC** Self-centering vise

**VERO-S** Quick-change pallet system

# Superior Clamping: the ultimate manual clamping vise combined

## KONTEC

### Superior Craftsmanship

- Encapsulated spindle
- Simple jaw interface
- Drainage channels for chips/coolant
- Wide jaw guidance
- Maximum rigidity
- Ball bearing mounted, backlash-free spindle. For highest repeat accuracy:
  - <  $\pm 0.01\text{mm}$  (KSC 80 & 125)
  - <  $\pm 0.015\text{mm}$  (KSC 160)

## VERO-S

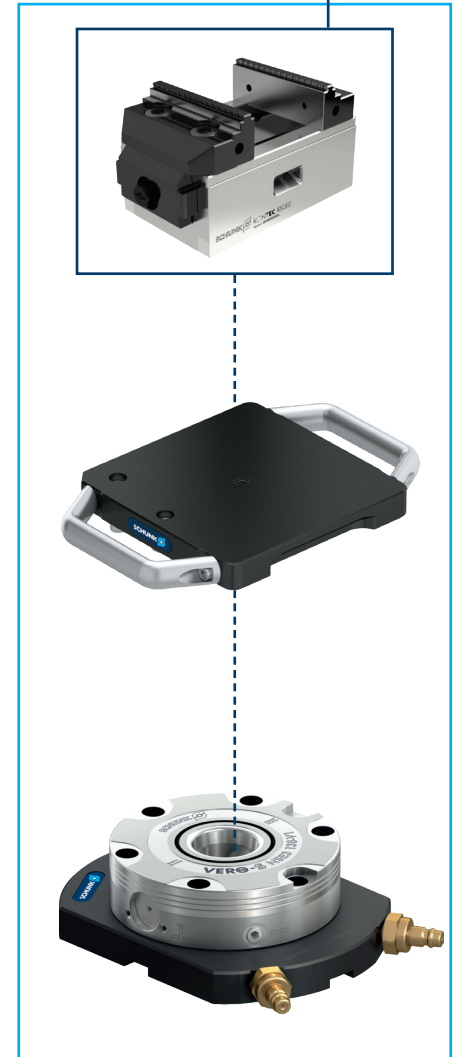
### Ultimate Flexibility

- Zero-point clamping system for rigid and repeatable setups
- Workholding indication not required
- Hand tools not required
- Standardized mechanical interface
- Automation ready
- Repeat accuracy of <  $0.005\text{mm}$

### Vise: KSC grip 80-130

Jaw width: 80mm

Length: 130mm



### Package 80-130 48000856

Vise: 0432713

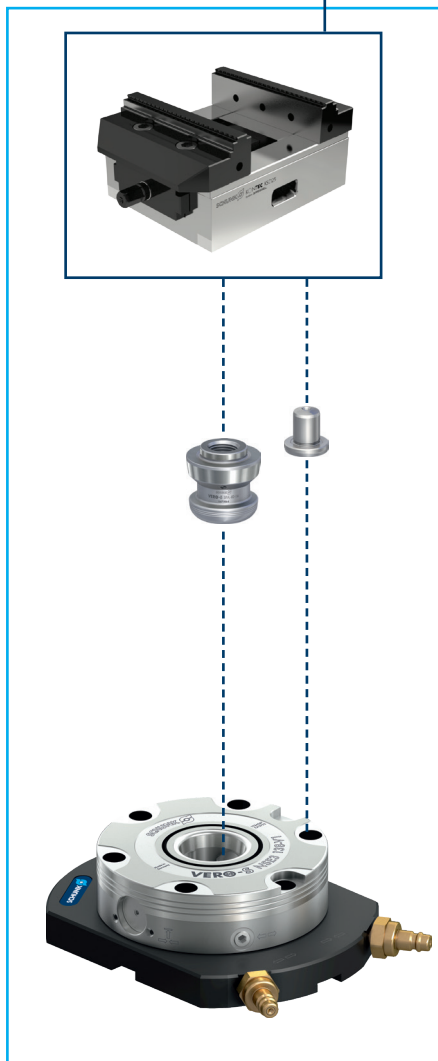
Adapting Kit: 48000784

Base: 1323568

# ed with the versatility of SCHUNK's quick-change pallet system

## Vise: KSC grip 125-160

Jaw width: 125mm  
Length: 160mm

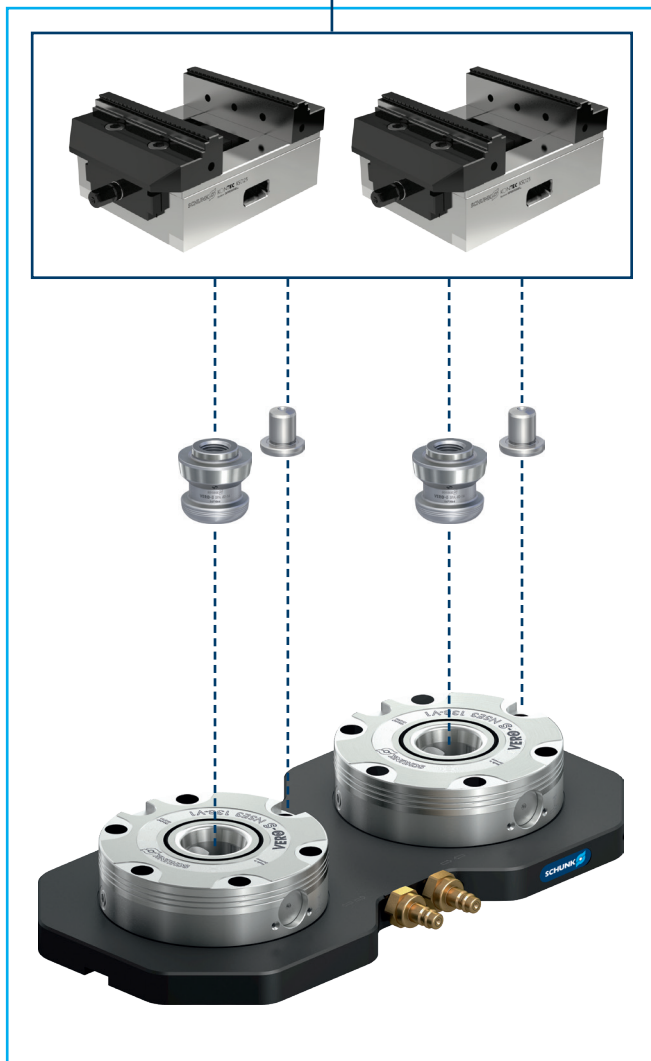


**Package 125-160**  
**48000857**

Vise: 0432463  
Adapting Kit: 48000798  
Base: 1323568

## Vise: (2) KSC grip 125-160

Jaw width: 125mm  
Length: 160mm

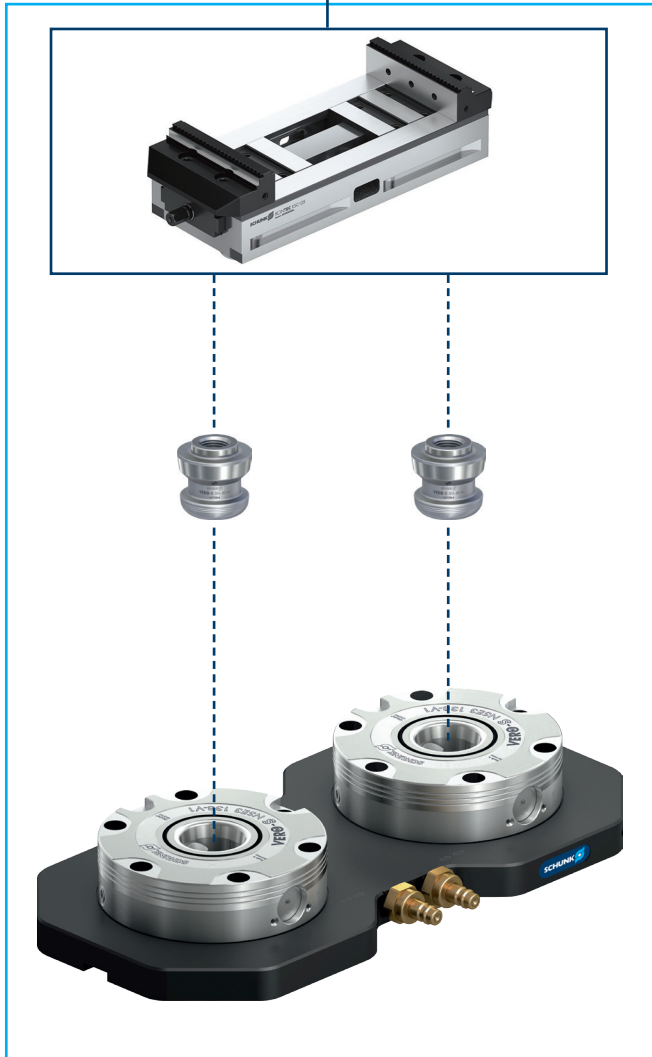


**Package (2) 125-160**  
**48000858**

Vise: (2) 0432463  
Adapting Kit: (2) 48000798  
Base: 1323570

## Vise: KSC grip 125-300

Jaw width: 125mm  
Length: 300mm

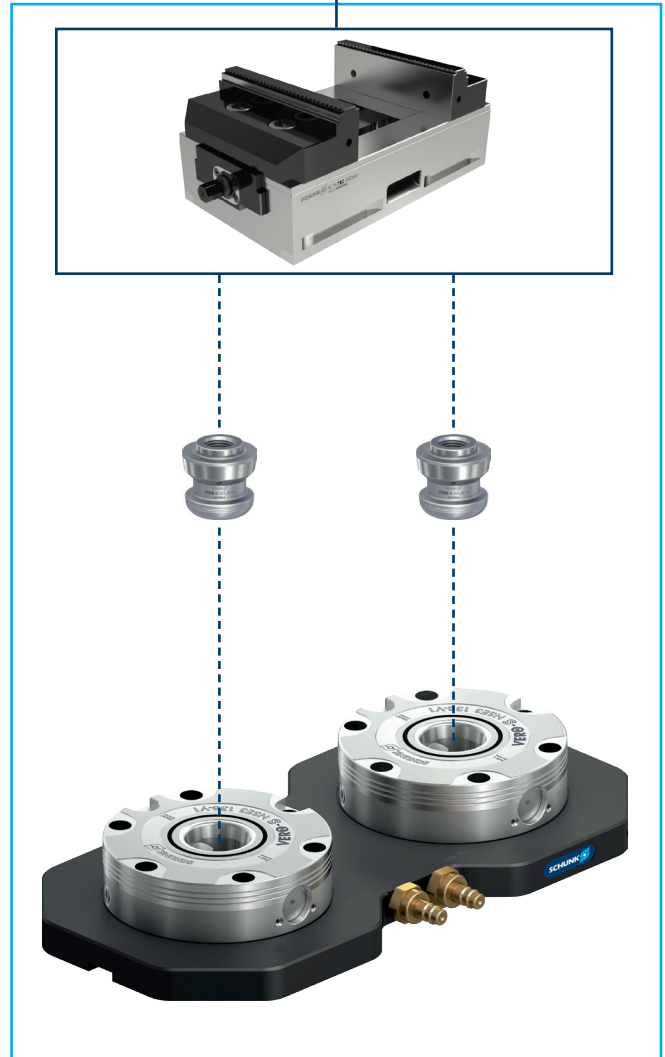


### Package 125-300 48000859

Vise:	0432464
Adapting Kit:	48000799
Base:	1323570

## Vise: KSC grip 160-280

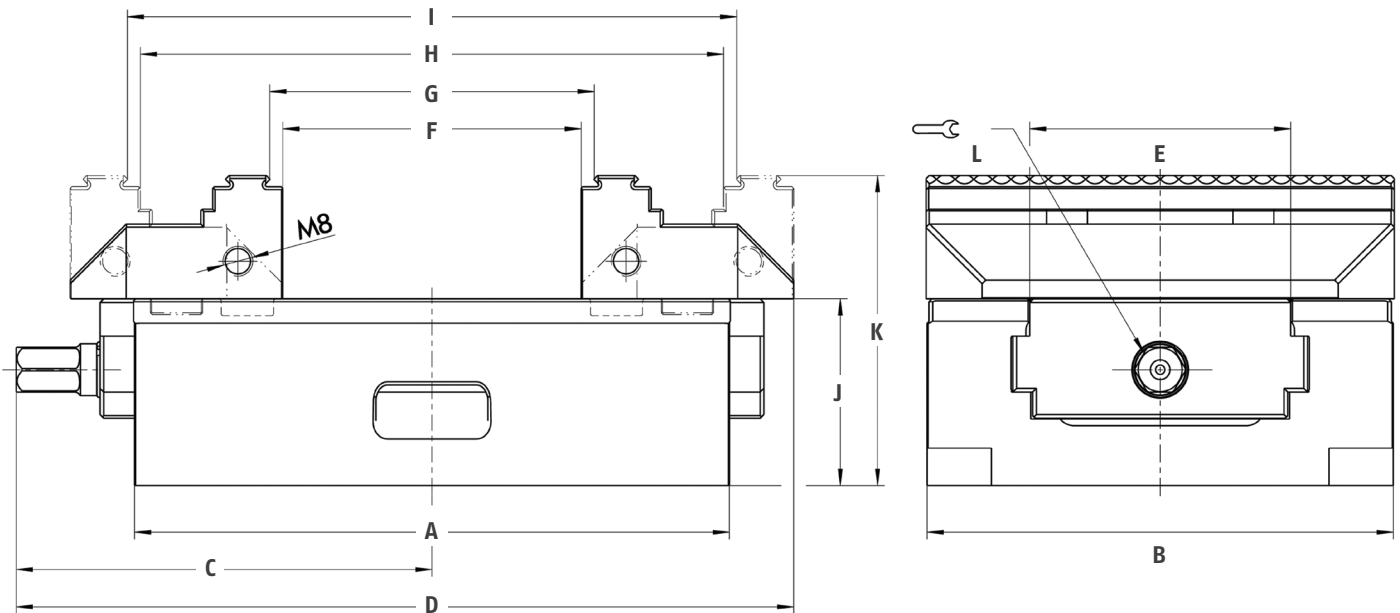
Jaw width: 160mm  
Length: 280mm



### Package 160-280 48000860

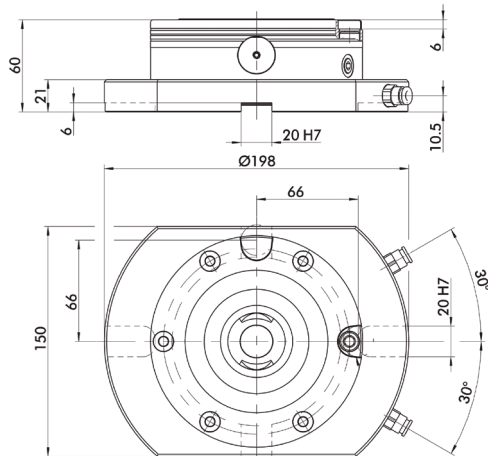
Vise:	48000796
Adapting Kit:	48000799
Base:	1323570

# KONTEC KSC Base-Line

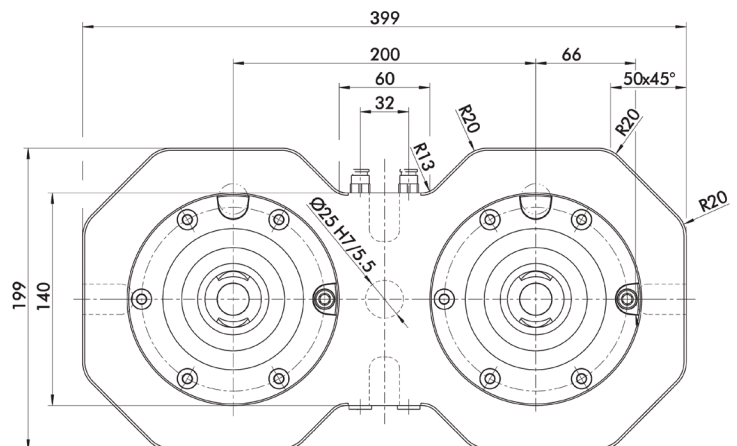


Vise	A	B	C	D	E	F	G	H	I	J	K	L
80-130	130	80	81	157	54	0...59	4...63	58...116	62...120	50	78	12
125-160	160	125	115.5	208	70	0...80	8...87	77...156	84...163	50	83	12
125-300	300	125	181	348	70	0...220	8...227	77...296	84...303	50	83	12
160-280	280	160	170	315	86	0...127	8...134	118...244	125...251	70	120	14
160-480	480	160	276	524	86	0...341	8...348	128...455	135...462	70	720	14

# VERO-S Quick-change base



**NSL3 150-V1-T**



**NSL3 200-V1-T**



Package 80-130	Description	Price	Pkg Price
Vise	(1) KSC grip 80-130	\$1,175	<del>\$4,214</del>
Adapting Kit	(1) Adapting pallet + Pins	\$555	<b>\$2995</b>
Quick-change Base	(1) NSL3 150-V1-T	\$2,484	

Package 125-160	Description	Price	Pkg Price
Vise	(1) KSC grip 125-160	\$1,435	<del>\$4,091</del>
Adapting Kit	(1) SPA pin + (1) IXB-V1 pin	\$172	<b>\$3415</b>
Quick-change Base	(1) NSL3 150-V1-T	\$2,484	

Package (2) 125-160	Description	Price	Pkg Price
Vise	(2) KSC grip 125-160	\$2,870	<del>\$8,102</del>
Adapting Kit	(2) SPA pin + (2) IXB-V1 pin	\$344	<b>\$6995</b>
Quick-change Base	(1) NSL3 200-V1-T	\$4,888	

Package 125-300	Description	Price	Pkg Price
Vise	(1) KSC grip 125-300	\$2,025	<del>\$7,123</del>
Adapting Kit	(1) SPA pin + (1) SPB pin	\$210	<b>\$5995</b>
Quick-change Base	(1) NSL3 200-V1-T	\$4,888	

Package 160-280	Description	Price	Pkg Price
Vise	(1) KSC grip 160-280	\$3,780	<del>8,878</del>
Adapting Kit	(1) SPA pin + (1) SPB pin	\$210	<b>\$7,445</b>
Quick-change Base	(1) NSL3 200-V1-T	\$4,888	

\*All packages are complete with a crank handle for the vise. Additional \$95 value.  
KSC 80/125 Wrench ID: 0490665, KSC 160 Wrench ID: 0432263

9870044 01/2018 ©2018 SCHUNK INTEC, Inc.