



COMPLETE
METALWORKING
SOLUTIONS

(800) 991-4225

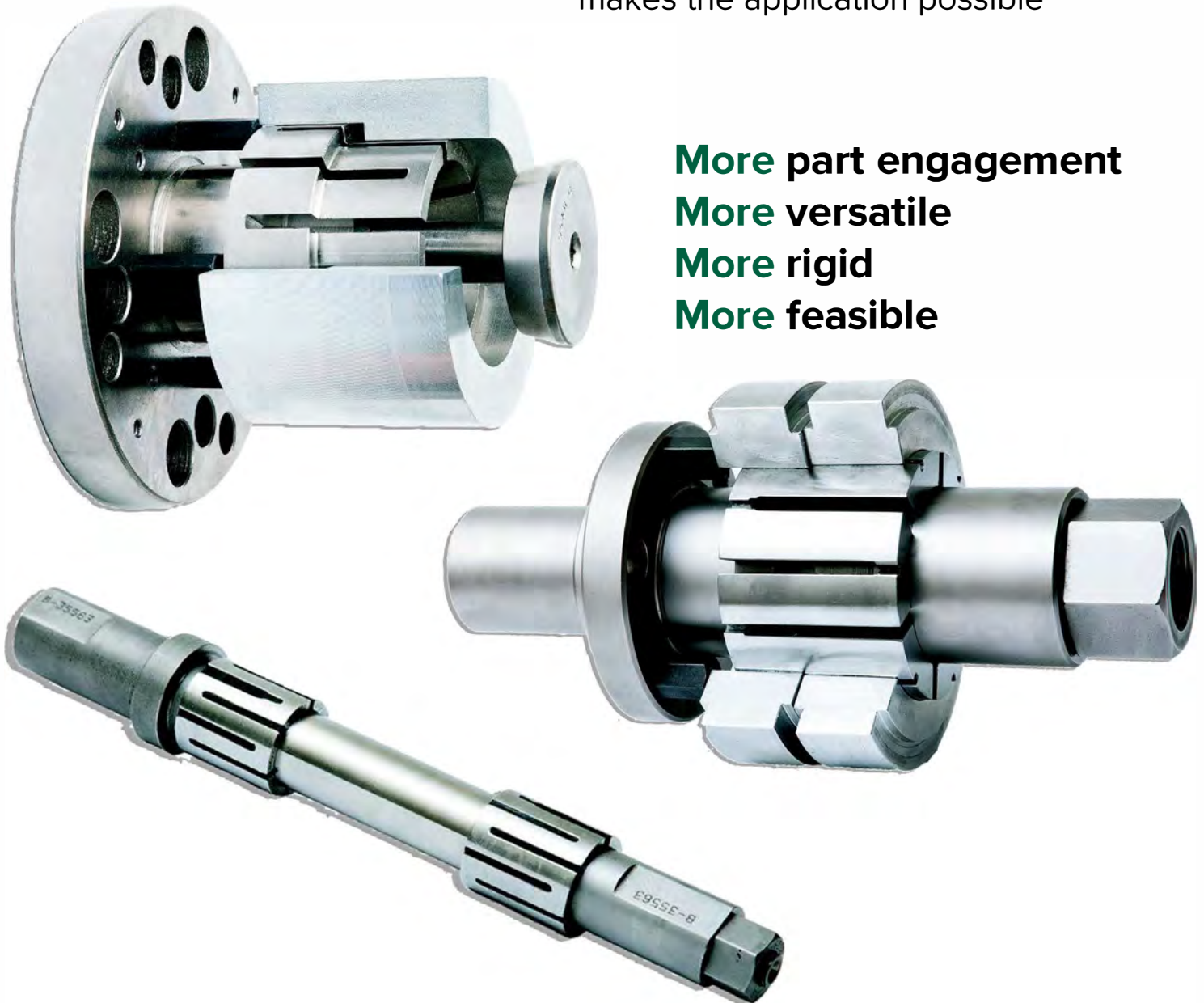
www.ahbinc.com

ISO Certified

customerservice@ahbinc.com

Multi-grip Chucking

Multi-diameter grip / multiple collets
makes the application possible



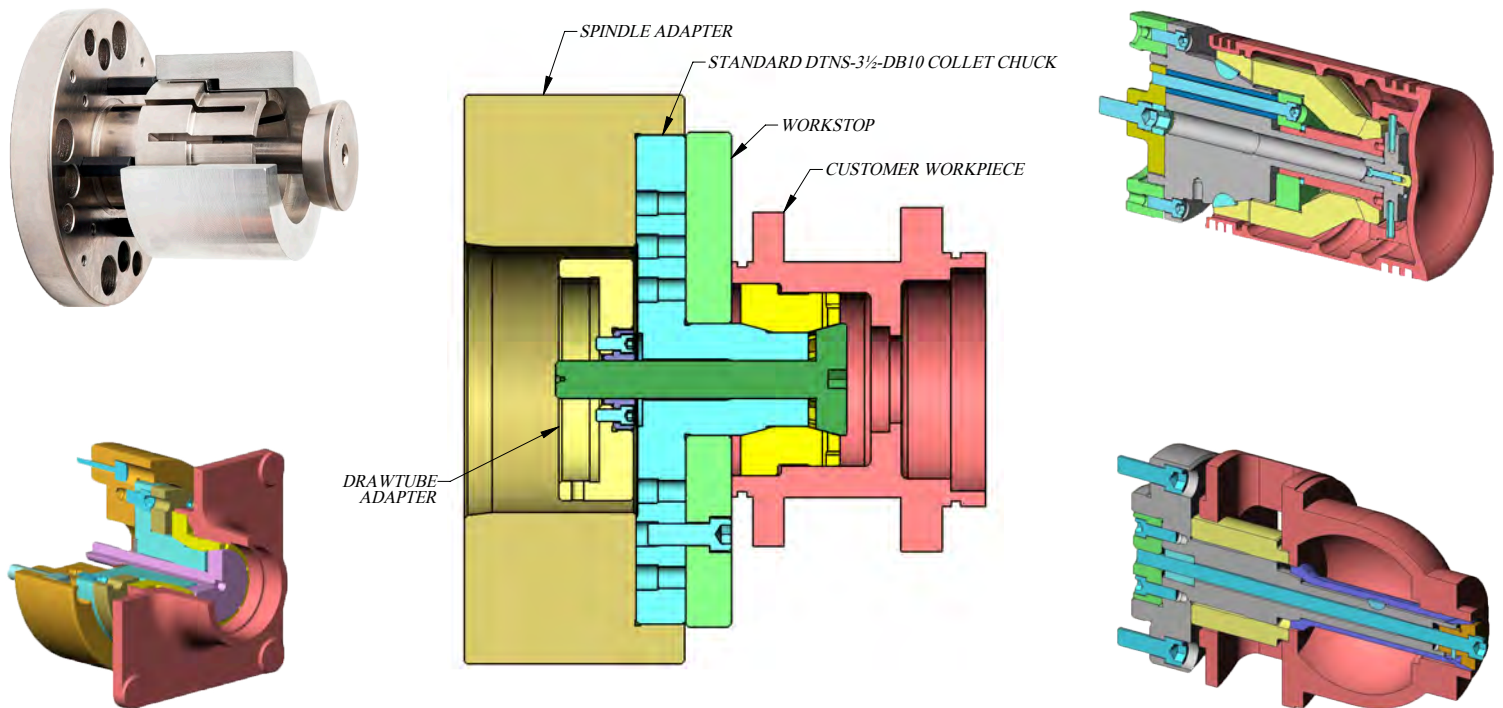
More part engagement
More versatile
More rigid
More feasible

**Exceeds the ability of a jaw chuck for reach,
repeatability, and with powerful pullback action.**

Multiple Diameter Gripping

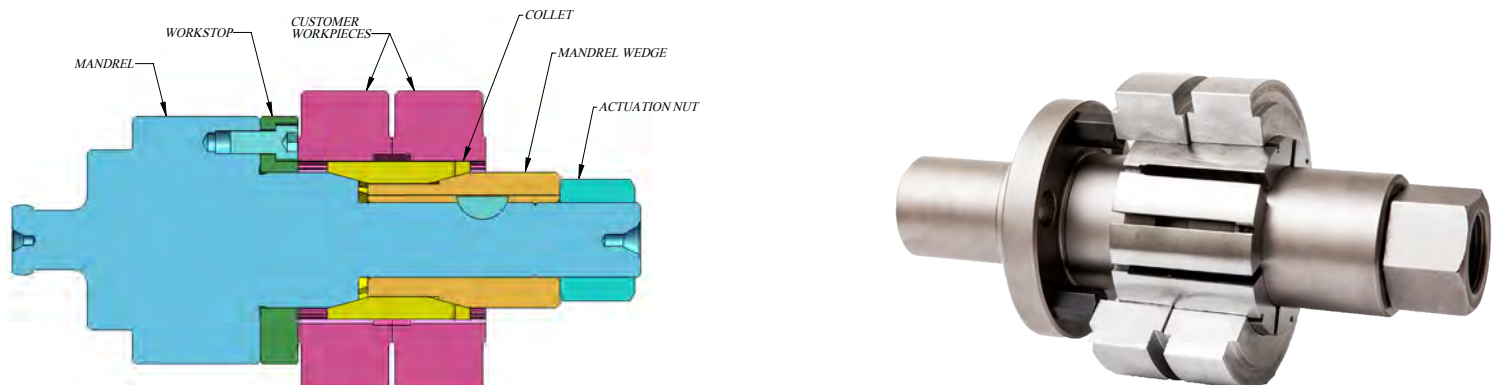
Grip in two bores of a part with powerful pullback action rather than just one bore with a jaw chuck.

The Speedgrip double taper collet can grip in *two separate bore diameters* simultaneously. Will compensate for varying tolerances, and will grip each bore with equal pressure.



Multiple Part Gripping

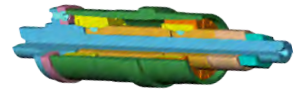
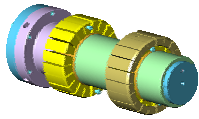
The Speedgrip double taper collet will also grip in *two separate parts* simultaneously, compensating for varying tolerances, and with equal pressure.



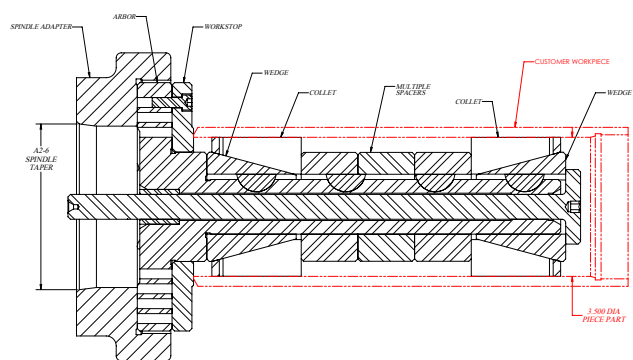
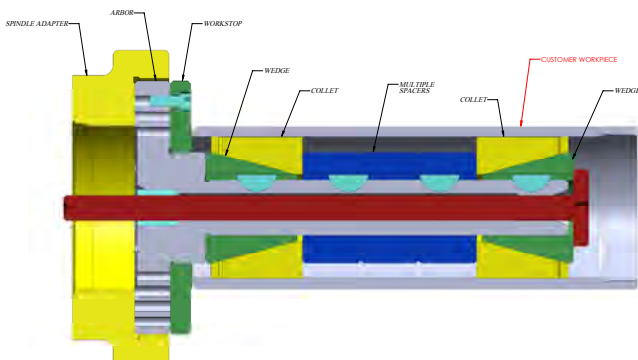
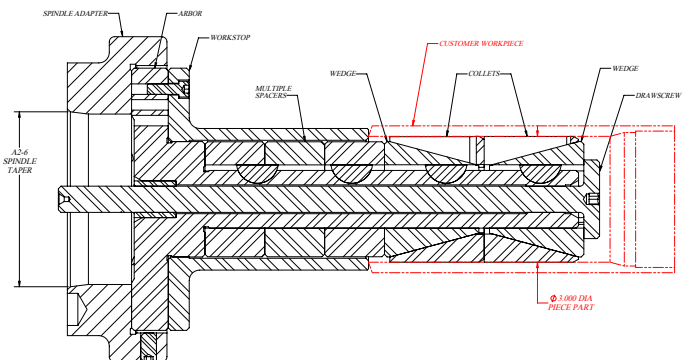
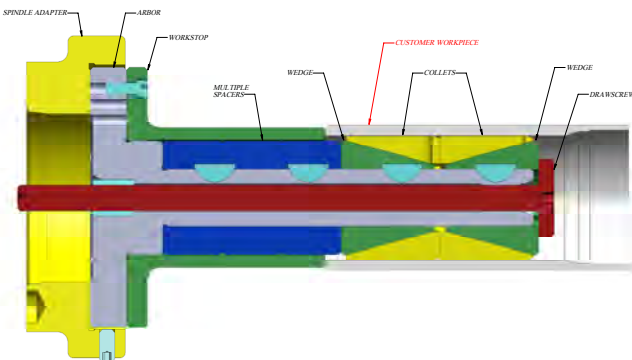
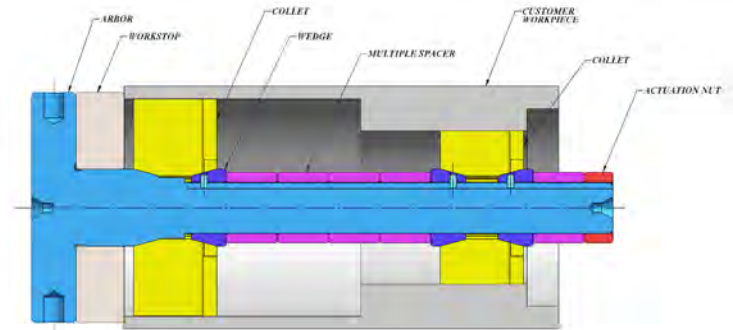
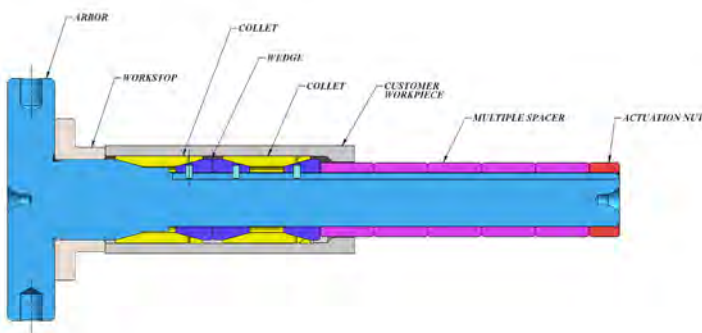
Immediately doubles production output.

Multiple “Collet” Gripping

Especially long or a family of parts with various lengths can be held using two or more collets.

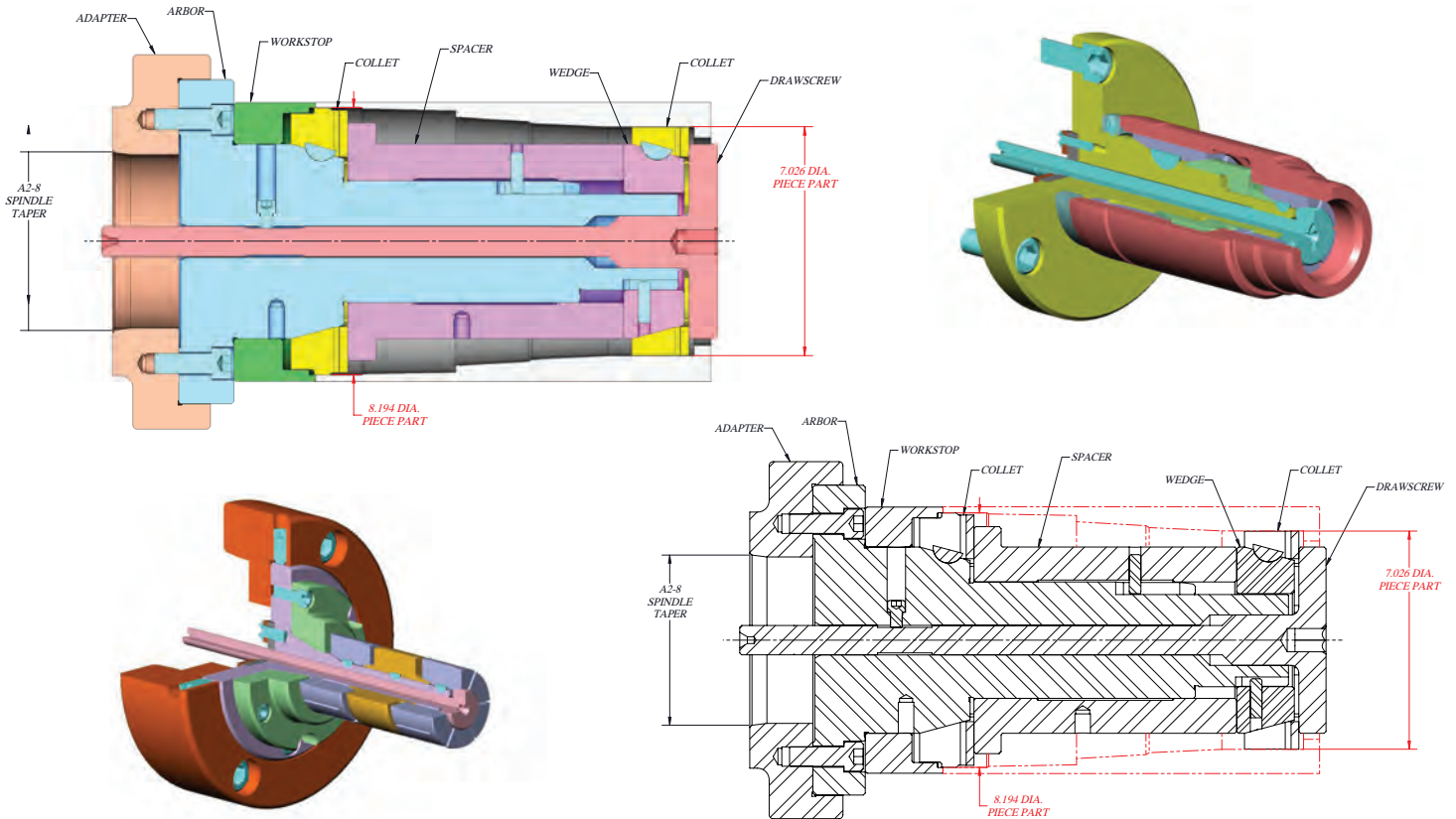


- Grip diameters can be varying sizes and tolerances only need to be similar.
- Two or multiple collets that are quickly changed for a wide range of diameters.
- Collets will grip independently yet with equal grip pressures.
- Spacers and wedges can be re-arranged to accommodate varying part lengths.



Greater part engagement increasing rigidity and improving diameter to length ratio.

Multiple "Collet" Gripping



Multi-diameter grip & Multi-collet gripping makes the application possible.

Speedgrip Chuck designs and manufactures a full line of internal and external gripping collet chucks, diaphragm chucks, finger chucks, and between center mandrels.

Cameron designs and builds custom internal and external hydraulic chucks and arbors with collet chucks from our Sabertooth line.

Madison Face Driver division offers a wide variety of standard drivers and pins along with special design face drivers, and our Hydra-Drive line for extreme accuracy requirements.

Our workholding equipment is very versatile and ideal for turning, drilling and milling operations, gear cutting and finishing, balancing, inspection equipment, and many uses on fixture plates and tombstones.

Our standard line offers in stock chucks, collets, mandrels, adapters, drivers, and pins for immediate delivery.

Many applications can be fully accommodated using our off the shelf standard items.

Our engineers custom design solutions for your special workholding applications and have a multitude of existing drawings available for your review.