

# CLAMPING LEVERS & HANDLES



- Zinc Ball Stud Style Steel .....72
- Zinc Ball Tapped Style Stainless .....72
- Zinc Ball Tapped Style Steel.....73
- Zinc Classic Stud Style Steel .....73
- Zinc Classic Tapped Style .....74
- Plastic Classic Stud Style.....74
- Plastic Classic Tapped Style .....75
- Aluminum Crank Handles.....75
- 2 Spoke Aluminum Hand Wheels ...76
- 2 Spoke Plastic Hand Wheels .....77
- Cast Iron Hand Wheels .....78
- Phenolic Revolving Handles .....78
- Plastic Bridge Pull Handles .....78
- Plastic Wire Pull Handles .....79
- Aluminum Cabinet Pull Handles .....79
- Cast Aluminum Hand Knobs .....80
- Plastic Ball Knobs .....80

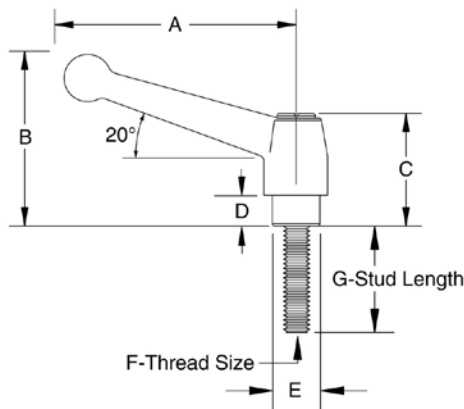
## Zinc Ball Stud Style Steel – Inch

Zinc die cast ball style handle with durable black powder coated finish. RoHs compliant.



- Material:
  - Handle: Die cast zinc
  - Insert, screw & spring: Black zinc coated carbon steel
- Lift & Rotate: Handle is adjustable throughout a 360 degree rotation
- Also available with stainless steel insert and stud
- Chrome plated version available from stock

*Special order stud lengths, materials and colors available*



Part No.	A	B	C	D	E	Thread F	Length G
70501	1.57	1.30	.95	.15	.39	10-32	.59
70502	1.57	1.30	.95	.15	.39	10-32	.78
70503	1.57	1.30	.95	.15	.39	10-32	1.18
70505	1.57	1.30	.95	.15	.39	10-24	.59
70506	1.57	1.30	.95	.15	.39	10-24	.78
70507	1.57	1.30	.95	.15	.39	10-24	1.18
70509	1.57	1.30	.95	.15	.39	1/4-20	.59
70510	1.57	1.30	.95	.15	.39	1/4-20	.78
70511	1.57	1.30	.95	.15	.39	1/4-20	1.18
70514	2.56	1.81	1.14	.25	.53	5/16-18	.59
70515	2.56	1.81	1.14	.25	.53	5/16-18	.78
70516	2.56	1.81	1.14	.25	.53	5/16-18	1.18
70517	2.56	1.81	1.14	.25	.53	5/16-18	1.57
70520	2.56	1.81	1.14	.25	.53	5/16-18	2.36
70521	2.56	1.81	1.14	.25	.53	3/8-16	.59
70522	2.56	1.81	1.14	.25	.53	3/8-16	.78
70523	2.56	1.81	1.14	.25	.53	3/8-16	1.18
70524	2.56	1.81	1.14	.25	.53	3/8-16	1.57
70528	3.15	2.28	1.47	.39	.62	3/8-16	.39
70529	3.15	2.28	1.47	.39	.62	3/8-16	.78
70530	3.15	2.28	1.47	.39	.62	3/8-16	1.18
70535	3.74	2.63	1.68	.39	.75	1/2-13	.59
70536	3.74	2.63	1.68	.39	.75	1/2-13	.78
70537	3.74	2.63	1.68	.39	.75	1/2-13	1.18
70538	3.74	2.63	1.68	.39	.75	1/2-13	1.57
70541	3.74	2.63	1.68	.39	.75	1/2-13	2.36
70550	4.33	3.11	2.00	.47	.90	1/2-13	.98
70551	4.33	3.11	2.00	.47	.90	1/2-13	1.57
70552	4.33	3.11	2.00	.47	.90	1/2-13	2.36
70553	4.33	3.11	2.00	.47	.90	5/8-11	1.57
70554	4.33	3.11	2.00	.47	.90	5/8-11	2.36

Unique design reduces the cavity area around the retention screw for less debris accumulation

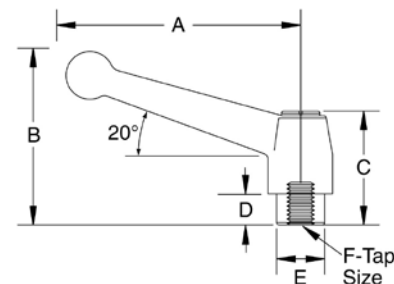
## Zinc Ball Tapped Style Stainless Steel – Inch

Zinc die cast handle with durable black powder coated finish. RoHs compliant.



- Material:
  - Handle: Die cast zinc
  - Insert, screw & spring: Grade 303 stainless steel
- Lift & Rotate: Handle is adjustable throughout a 360 degree rotation
- Chrome plated version available from stock
- Grade 304 and 316 stainless also available

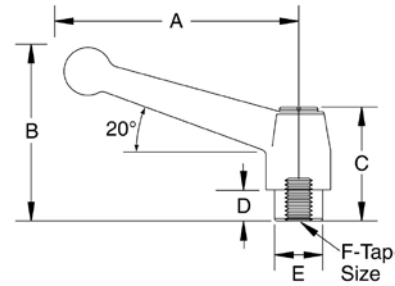
*Special order stud lengths, materials and colors available*



Part No.	A	B	C	D	E	F
70556	1.57	1.30	.95	.15	.39	10-24
70557	1.57	1.30	.95	.15	.39	1/4-20
70559	1.57	1.30	.95	.15	.39	10-32
70561	2.56	1.81	1.14	.25	.53	1/4-20
70562	2.56	1.81	1.14	.25	.53	5/16-18
70566	3.15	2.28	1.47	.39	.62	5/16-18
70567	3.15	2.28	1.47	.39	.62	3/8-16
70571	3.74	3.11	2.00	.39	.90	3/8-16
70572	3.74	3.11	2.00	.47	.90	1/2-13
70576	4.33	3.11	2.00	.47	.90	1/2-13
70577	4.33	3.11	2.00	.47	.90	5/8-11

## Zinc Ball Tapped Style Steel - Inch

Zinc die cast zinc ball style handle with durable black powder coated finish. RoHs compliant.



- Material:
  - Handle: Die cast zinc
  - Insert, screw & spring: Black zinc coated carbon steel
- Lift & Rotate: Handle is adjustable throughout a 360 degree rotation
- Chrome plated version available from stock

Part No.	A	B	C	D	E	F
70581	1.57	1.30	.95	.15	.39	10-24
70582	1.57	1.30	.95	.15	.39	1/4-20
70584	1.57	1.30	.95	.15	.39	10-32
70586	2.56	1.81	1.14	.25	.53	1/4-20
70587	2.56	1.81	1.14	.25	.53	5/16-18
70591	3.15	2.28	1.47	.39	.62	5/16-18
70592	3.15	2.28	1.47	.39	.62	3/8-16
70596	3.74	3.11	2.00	.47	.90	3/8-16
70597	3.74	3.11	2.00	.47	.90	1/2-13
70601	4.33	3.11	2.00	.47	.90	1/2-13
70602	4.33	3.11	2.00	.47	.90	5/8-11

*Special order stud lengths, materials and colors available*

**Unique design reduces the cavity area around the retention screw for less debris accumulation**

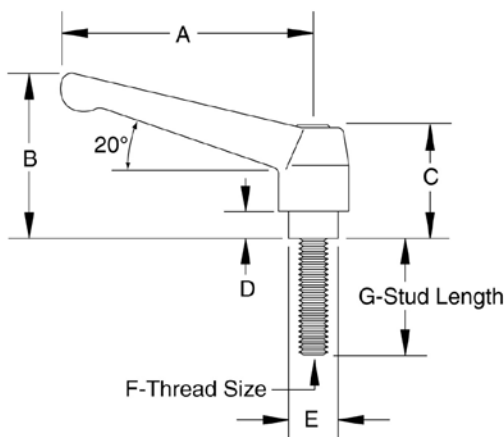
## Zinc Classic Stud Style Steel - Inch

Zinc die cast classic style handle with durable black powder coated finish. RoHs compliant.



- Material:
  - Handle: Die cast zinc
  - Insert, screw & spring: Black zinc coated carbon steel
- Lift & Rotate: Handle is adjustable throughout a 360 degree rotation
- Chrome plated version available from stock
- Also available with stainless steel insert and stud

*Special order stud lengths, materials and colors available*



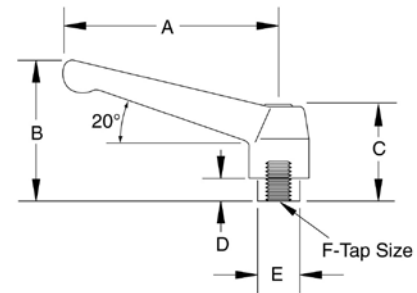
Part No.	A	B	C	D	E	Thread F	Length G
70606	1.77	1.38	.96	.16	.39	10-32	.59
70607	1.77	1.38	.96	.16	.39	10-32	.78
70608	1.77	1.38	.96	.16	.39	10-32	1.18
70614	1.77	1.38	.96	.16	.39	10-24	.59
70615	1.77	1.38	.96	.16	.39	10-24	.78
70616	1.77	1.38	.96	.16	.39	10-24	1.18
70622	1.77	1.38	.96	.16	.39	1/4-20	.59
70623	1.77	1.38	.96	.16	.39	1/4-20	.78
70624	1.77	1.38	.96	.16	.39	1/4-20	1.18
70640	2.48	1.77	1.22	.26	.53	5/16-18	.59
70641	2.48	1.77	1.22	.26	.53	5/16-18	.78
70642	2.48	1.77	1.22	.26	.53	5/16-18	1.18
70643	2.48	1.77	1.22	.26	.53	5/16-18	1.57
70646	2.48	1.77	1.22	.26	.53	5/16-18	2.36
70647	2.48	1.77	1.22	.26	.53	3/8-16	.59
70648	2.48	1.77	1.22	.26	.53	3/8-16	.78
70649	2.48	1.77	1.22	.26	.53	3/8-16	1.18
70650	2.48	1.77	1.22	.26	.53	3/8-16	1.57
70653	2.48	1.77	1.22	.26	.53	3/8-16	2.36
70658	3.07	2.17	1.42	.31	.63	3/8-16	.59
70659	3.07	2.17	1.42	.31	.63	3/8-16	.78
70660	3.07	2.17	1.42	.31	.63	3/8-16	1.18
70661	3.07	2.17	1.42	.31	.63	3/8-16	1.57
70664	3.07	2.17	1.42	.31	.63	3/8-16	2.36
70670	3.07	2.17	1.42	.31	.63	1/2-13	.78
70673	3.07	2.17	1.42	.31	.63	1/2-13	1.57
70676	3.62	2.56	1.69	.43	.75	3/8-16	.59
70677	3.62	2.56	1.69	.43	.75	3/8-16	.78
70678	3.62	2.56	1.69	.43	.75	3/8-16	1.18
70679	3.62	2.56	1.69	.43	.75	3/8-16	1.57
70682	3.62	2.56	1.69	.43	.75	3/8-16	2.36
70687	3.62	2.56	1.69	.43	.75	1/2-13	.59
70688	3.62	2.56	1.69	.43	.75	1/2-13	.78
70689	3.62	2.56	1.69	.43	.75	1/2-13	1.18
70691	3.62	2.56	1.69	.43	.75	1/2-13	1.57
70694	3.62	2.56	1.69	.43	.75	1/2-13	2.36
70699	4.25	2.99	1.99	.47	.91	1/2-13	.98
70700	4.25	2.99	1.99	.47	.91	1/2-13	1.57
70702	4.25	2.99	1.99	.47	.91	1/2-13	2.36
70706	4.25	2.99	1.99	.47	.91	5/8-11	1.57
70710	4.25	2.99	1.99	.47	.91	5/8-11	2.36

# CLAMPING LEVERS & HANDLES



## Zinc Classic Tapped Style – Inch Steel and Stainless Steel

Zinc die cast classic style handle with durable black powder coated finish. RoHs compliant.



- Material:
  - Handle: Die cast zinc
  - Insert, screw & spring:
    - Steel: Black zinc coated carbon steel
    - Stainless: Grade 303 stainless steel
- Grade 304 and 316 stainless available (special order)
- Lift & Rotate: Handle is adjustable throughout a 360 degree rotation
- Chrome plated version available from stock

*Special order stud lengths, materials and colors available*

Stainless Part No.	Steel Part No.	A	B	C	D	E	F
70712	70732	1.77	1.38	.95	.13	.39	10-24
70713	70733	1.77	1.38	.95	.13	.39	1/4-20
70715	70735	1.77	1.38	.95	.13	.39	10-32
70716	70736	2.56	1.77	1.22	.24	.53	1/4-20
70717	70737	2.56	1.77	1.22	.24	.53	5/16-18
70720	70740	3.07	2.12	1.41	.29	.63	5/16-18
70721	70741	3.07	2.12	1.41	.29	.63	3/8-16
70724	70744	3.62	2.52	1.69	.35	.75	3/8-16
70725	70745	3.62	2.52	1.69	.35	.75	1/2-13
70728	70748	4.25	2.95	1.98	.47	.91	1/2-13
70729	70749	4.25	2.95	1.98	.47	.91	5/8-11

Unique design reduces the cavity area around the retention screw for less debris accumulation

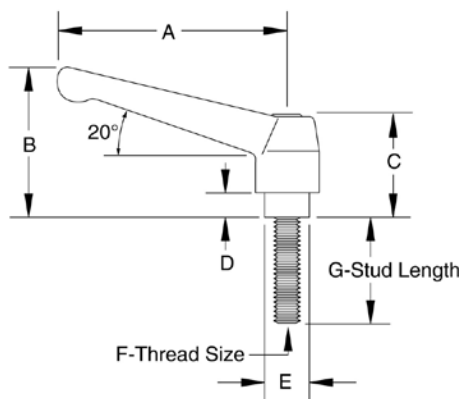
## Plastic Classic Stud Style Steel – Inch

High quality Nylon 6 handle reinforced with 30% glass fiber. Molded in zinc metal teeth make these handles extremely durable.



- Material:
  - Handle: Nylon 6 reinforced with 30% glass fiber
  - Insert, screw & spring: Black zinc coated carbon steel
- Temperature rating: -40F to +265F
- Lift & Rotate: Handle is adjustable throughout a 360 degree rotation

*Special order stud lengths, materials and colors available*



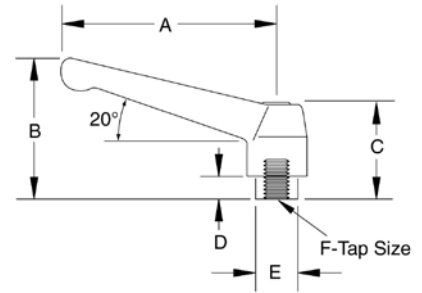
Part No.	A	B	C	D	E	Thread F	Length G
70754	1.77	1.38	.96	.16	.57	10-32	.78
70755	1.77	1.38	.96	.16	.57	10-32	1.18
70761	1.77	1.38	.96	.16	.57	10-24	.59
70762	1.77	1.38	.96	.16	.57	10-24	.78
70763	1.77	1.38	.96	.16	.57	10-24	1.18
70769	1.77	1.38	.96	.16	.57	1/4-20	.59
70770	1.77	1.38	.96	.16	.57	1/4-20	.78
70771	1.77	1.38	.96	.16	.57	1/4-20	1.18
70787	2.48	1.77	1.22	.26	.76	5/16-18	.59
70788	2.48	1.77	1.22	.26	.76	5/16-18	.78
70789	2.48	1.77	1.22	.26	.76	5/16-18	1.18
70790	2.48	1.77	1.22	.26	.76	5/16-18	1.57
70793	2.48	1.77	1.22	.26	.76	5/16-18	2.36
70794	2.48	1.77	1.22	.26	.76	3/8-16	.59
70795	2.48	1.77	1.22	.26	.76	3/8-16	.78
70796	2.48	1.77	1.22	.26	.76	3/8-16	1.18
70797	2.48	1.77	1.22	.26	.76	3/8-16	1.57
70800	2.48	1.77	1.22	.26	.76	3/8-16	2.36
70805	3.07	2.17	1.42	.31	.86	3/8-16	.59
70806	3.07	2.17	1.42	.31	.86	3/8-16	.78
70807	3.07	2.17	1.42	.31	.86	3/8-16	1.18
70808	3.07	2.17	1.42	.31	.86	3/8-16	1.57
70811	3.07	2.17	1.42	.31	.86	3/8-16	2.36
70817	3.07	2.17	1.42	.31	.86	1/2-13	.78
70820	3.07	2.17	1.42	.31	.86	1/2-13	1.57
70823	3.62	2.56	1.69	.43	.99	3/8-16	.59
70824	3.62	2.56	1.69	.43	.99	3/8-16	.78
70825	3.62	2.56	1.69	.43	.99	3/8-16	1.18
70826	3.62	2.56	1.69	.43	.99	3/8-16	1.57
70829	3.62	2.56	1.69	.43	.99	3/8-16	2.36
70834	3.62	2.56	1.69	.43	.99	1/2-13	.59
70835	3.62	2.56	1.69	.43	.99	1/2-13	.78
70836	3.62	2.56	1.69	.43	.99	1/2-13	1.18
70838	3.62	2.56	1.69	.43	.99	1/2-13	1.57
70841	3.62	2.56	1.69	.43	.99	1/2-13	2.36



# CLAMPING LEVERS & HANDLES

## Plastic Classic Tapped Style – Inch Steel and Stainless Steel

High quality Nylon 6 handle reinforced with 30% glass fiber. Molded in zinc metal teeth make these handles extremely durable. RoHS compliant.



- Material:
  - Handle: Nylon 6 reinforced with 30% glass fiber
  - Insert, screw and spring:
    - Steel: Black zinc coated carbon steel
    - Stainless: Grade 303 stainless steel
- Temperature rating: -40F to +265F
- Lift & Rotate: Handle is adjustable throughout a 360 degree rotation

Stainless Part No.	Steel Part No.	A	B	C	D	E	F
<b>70842</b>	<b>70858</b>	1.77	1.38	.96	.16	.39	10-24
<b>70843</b>	<b>70859</b>	1.77	1.38	.96	.16	.39	1/4-20
<b>70845</b>	<b>70861</b>	1.77	1.38	.96	.16	.39	10-32
<b>70846</b>	<b>70862</b>	2.48	1.77	1.22	.26	.53	1/4-20
<b>70847</b>	<b>70863</b>	2.48	1.77	1.22	.26	.53	5/16-18
<b>70850</b>	<b>70866</b>	3.07	2.12	1.42	.31	.63	5/16-18
<b>70851</b>	<b>70867</b>	3.07	2.12	1.42	.31	.63	3/8-16
<b>70854</b>	<b>70870</b>	3.62	2.56	1.69	.43	.75	3/8-16
<b>70855</b>	<b>70871</b>	3.62	2.56	1.69	.43	.75	1/2-13

*Special order stud lengths, materials and colors available*

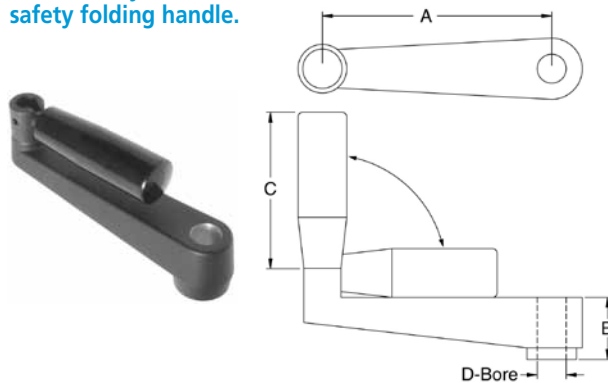
**Unique design reduces the cavity area around the retention screw for less debris accumulation**

## Crank Handles – Aluminum with Folding or Revolving Grip

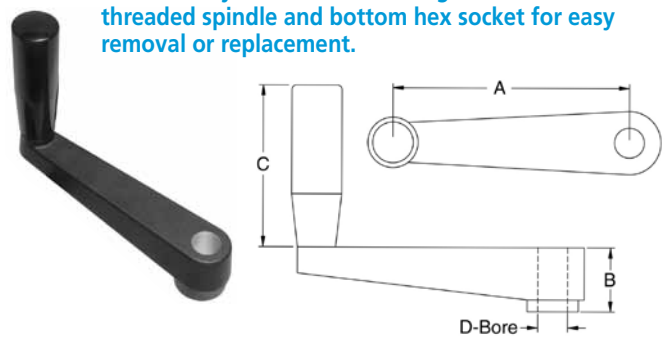
DIN standard die cast aluminum alloy crank handles with high quality black powder coated textured finish. Special bores, keyways and set screws available.

- Material: Die cast aluminum with black powder coating
- Handle: Phenolic permanently lubricated
- Round or square bore available

Permanently lubricated safety folding handle.



Permanently lubricated revolving handle with threaded spindle and bottom hex socket for easy removal or replacement.



### With Folding Grip

Part No.	A	B	C	Bore D
<b>70900</b>	3.94	1.10	2.56	3/8"
<b>70901</b>	3.94	1.10	2.56	3/8" square
<b>70902</b>	3.94	1.10	2.56	1/2"
<b>70903</b>	3.94	1.10	2.56	1/2" square
<b>70904</b>	4.92	1.34	3.92	1/2"
<b>70905</b>	4.92	1.34	3.92	1/2" square
<b>70906</b>	4.92	1.34	3.92	5/8"
<b>70907</b>	4.92	1.34	3.92	5/8" square

### With Revolving Grip

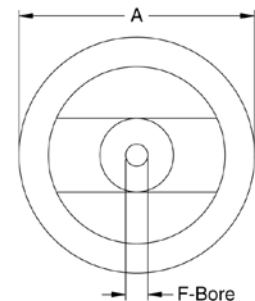
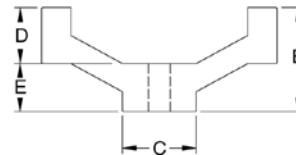
Part No.	A	B	C	Bore D
<b>70908</b>	3.15	.94	1.97	5/16"
<b>70909</b>	3.15	.94	1.97	5/16" square
<b>70910</b>	3.15	.94	1.97	3/8"
<b>70911</b>	3.15	.94	1.97	3/8" square
<b>70912</b>	3.94	1.10	2.56	3/8"
<b>70913</b>	3.94	1.10	2.56	3/8" square
<b>70914</b>	3.94	1.10	2.56	1/2"
<b>70915</b>	3.94	1.10	2.56	1/2" square
<b>70916</b>	4.92	1.34	3.15	1/2"
<b>70917</b>	4.92	1.34	3.15	1/2" square
<b>70918</b>	4.92	1.34	3.15	5/8"
<b>70919</b>	4.92	1.34	3.15	5/8" square

## 2 Spoke Aluminum Hand Wheels

- Material: High quality fine grain black powder coated gravity cast aluminum
- Available in a variety of diameters and bore sizes
- Custom bores, keyways and set screws available
- Polished versions available by special order (Add suffix "P" when ordering)

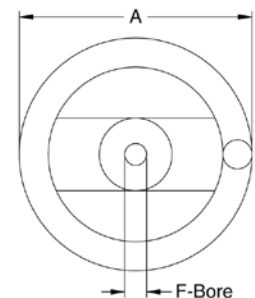
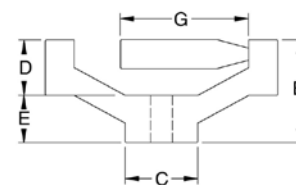
### Without Handle

Part No.	A	B	C	D	E	F
70920	4.00	1.77	1.25	.750	.812	3/8"
70921	4.00	1.77	1.25	.750	.812	1/2"
70922	5.00	1.93	1.31	.750	.875	3/8"
70923	5.00	1.93	1.31	.750	.875	1/2"
70924	6.00	2.05	1.44	.750	1.00	1/2"
70925	6.00	2.05	1.44	.750	1.00	5/8"
70926	8.00	2.74	1.94	.937	1.37	1/2"
70927	8.00	2.74	1.94	.937	1.37	5/8"
70928	10.00	2.80	1.94	.937	1.37	5/8"
70929	10.00	2.80	1.94	.937	1.37	3/4"



### With Folding Handle

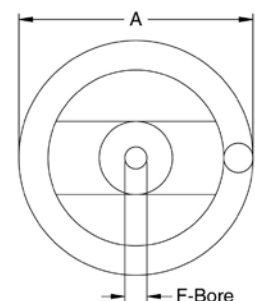
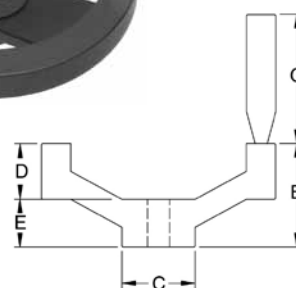
Part No.	A	B	C	D	E	F	G
70930	4.00	1.77	1.25	.750	.812	1/2"	1.97
70931	4.00	1.77	1.25	.750	.812	3/8"	1.97
70932	5.00	1.93	1.31	.750	.875	1/2"	2.56
70933	5.00	1.93	1.31	.750	.875	3/8"	2.56
70934	6.00	2.05	1.44	.750	1.00	5/8"	2.56
70935	6.00	2.05	1.44	.750	1.00	1/2"	2.56
70936	8.00	2.74	1.94	.937	1.37	5/8"	3.15
70937	8.00	2.74	1.94	.937	1.37	1/2"	3.15
70938	10.00	2.80	1.94	.937	1.37	3/4"	3.15
70939	10.00	2.80	1.94	.937	1.37	5/8"	3.15



Supplied with phenolic grip safety folding handle

### With Revolving Handle

Part No.	A	B	C	D	E	F	G
70940	4.00	1.77	1.25	.750	.812	1/2"	1.97
70941	4.00	1.77	1.25	.750	.812	3/8"	1.97
70942	5.00	1.93	1.31	.750	.875	1/2"	2.56
70943	5.00	1.93	1.31	.750	.875	3/8"	2.56
70944	6.00	2.05	1.44	.750	1.00	5/8"	2.56
70945	6.00	2.05	1.44	.750	1.00	1/2"	2.56
70946	8.00	2.74	1.94	.937	1.37	5/8"	3.15
70947	8.00	2.74	1.94	.937	1.37	1/2"	3.15
70948	10.00	2.80	1.94	.937	1.37	3/4"	3.15
70949	10.00	2.80	1.94	.937	1.37	5/8"	3.15



Supplied with phenolic revolving handle

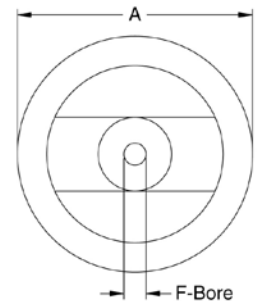
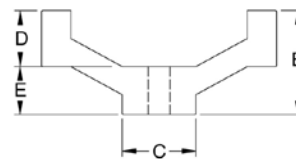


## 2 Spoke Plastic Hand Wheels

- Material: Matte black thermoplastic fiber reinforced
- Zinc plated steel hub
- Heat resistant up to 230F
- Anodized aluminum self adhesive center trim disc
- All wheels provided with 10mm thru pilot hole
- Smooth, radiused modern design
- Custom bores, keyways and set screws available

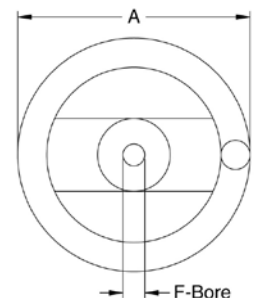
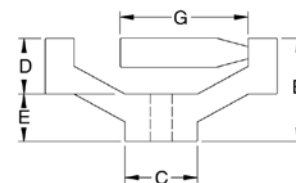
### Without Handle

Part No.	A	B	C	D	E	F	Bore
70950	3.90	1.42	0.79	0.98	0.67	0.71	0.375
70951	6.30	1.97	0.98	1.57	1.06	1.02	0.500
70952	7.87	2.36	1.10	1.97	1.34	1.18	0.625



### With Folding Handle

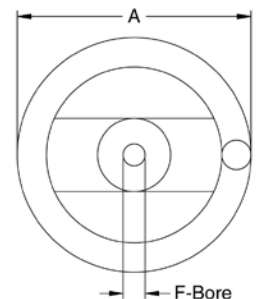
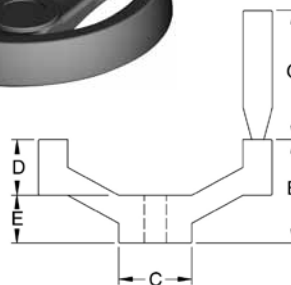
Part No.	A	B	C	D	E	F	Bore
70953	3.90	1.42	0.79	0.98	0.67	0.71	0.375
70954	6.30	1.97	0.98	1.57	1.06	1.02	0.500
70955	7.87	2.36	1.10	1.97	1.34	1.18	0.625



Supplied with thermoplastic safety style folding handle

### With Revolving Handle

Part No.	A	B	C	D	E	F	Bore
70956	3.90	1.42	0.79	0.98	0.67	0.71	0.375
70957	6.30	1.97	0.98	1.57	1.06	1.02	0.500
70958	7.87	2.36	1.10	1.97	1.34	1.18	0.625

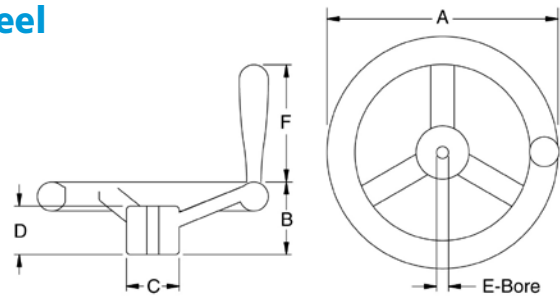


Supplied with thermoplastic revolving handle with threaded spindle

## 3 Spoked Cast Iron Dished Style Hand Wheel with Revolving Handle

- Material: Cast iron
- Finish: Nickel plated with polished rim
- Handle: Chrome plated steel revolving with wrench flats

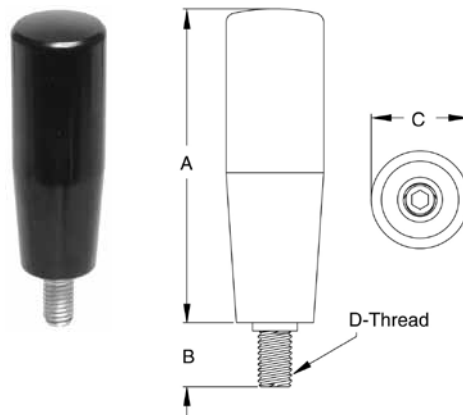
*Oversized hub can accommodate all types of bores, keyways and set screws*



Part No.	A	B	C	D	E	F
<b>70980</b>	4.00	1.70	1.57	.90	3/8"	2.40
<b>70981</b>	6.00	2.08	1.98	1.18	1/2"	2.95
<b>70982</b>	8.00	2.28	2.32	1.22	5/8"	2.95
<b>70983</b>	10.00	2.48	2.64	1.26	3/4"	2.95
<b>70984</b>	12.00	2.83	2.75	1.54	3/4"	2.95

## Phenolic Revolving Handles – Steel and Stainless Steel

- Material:
  - Handle: Phenolic plastic
  - Spindle:
    - Steel: Zinc plated steel
    - Stainless: Grade 303 stainless steel
- Polished finish with no parting lines
- Smooth operating permanently lubricated spindle
- Bottom mount hex socket for easy insertion or replacement

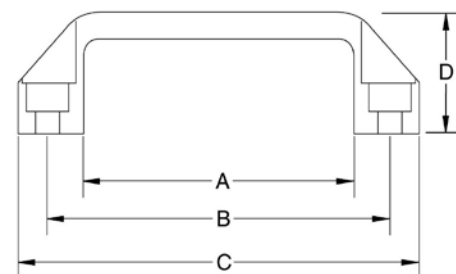


Steel Part No.	Stainless Part No.	A	B	C	D
<b>71000</b>	<b>71013</b>	1.57	.47	.71	1/4-20
<b>71001</b>	<b>71014</b>	1.57	.47	.71	M6
<b>71002</b>	<b>71015</b>	1.97	.51	.83	1/4-202
<b>71003</b>	<b>71016</b>	1.97	.51	.83	M6
<b>71004</b>	<b>71017</b>	2.56	.59	.90	5/16-18
<b>71005</b>	<b>71018</b>	2.56	.59	.90	M8
<b>71006</b>	<b>71019</b>	3.15	.67	1.02	3/8-16
<b>71007</b>	<b>71020</b>	3.15	.67	1.02	M10
<b>71008</b>	<b>71021</b>	3.15	.67	1.02	M8
<b>71009</b>	<b>71022</b>	3.54	.67	1.10	3/8-16
<b>71010</b>	<b>71023</b>	3.54	.67	1.10	M10
<b>71011</b>	<b>71024</b>	4.02	.78	1.22	1/2-13

## Pull Handle – Plastic Bridge Top Mount

PA6 top mount bridge handle with smooth radius edges. Standard on most modular framing systems and enclosures.

- Material: PA6, matte black color
- Top mount with socket head screws (not included)



Part No.	A	B	C	D	Mount Hole
<b>71160</b>	2.91	3.68	4.40	1.42	1/4"
<b>71161</b>	3.74	4.60	5.47	1.61	5/16"
<b>71162</b>	4.25	5.20	6.14	1.77	5/16"



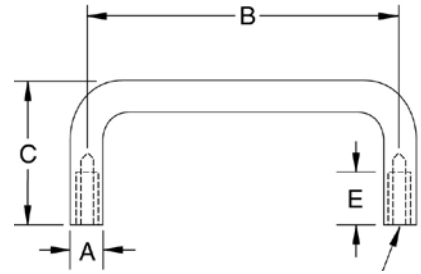


# CLAMPING LEVERS & HANDLES

## Pull Handle – Plastic Wire Bottom Mount

Reinforced thermoplastic wire pull with sleek oval design.

- Material: Reinforced Nylon 6
- Molded in brass tapped inserts for bottom mounting
- Supplied with two leg support discs for increased stability



Part No.	A	B	C	D	E
<b>71171</b>	12	100	40	M5	15
<b>71172</b>	12	120	40	M5	15
<b>71173</b>	12	88	40	M5	15

## Pull Handle – Aluminum Cabinet Top and Bottom Mount

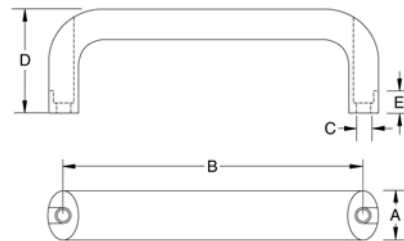
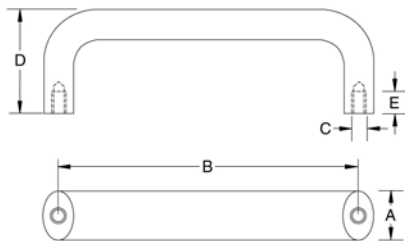
- Ergonomically designed for operator comfort
- Material: Extruded aluminum with black powder coating
- Industry standard handle for modular cabinet/machine enclosures
- Anodized finish options available (special order)



Bottom tapped for mounting



Top side counterbored holes for mounting



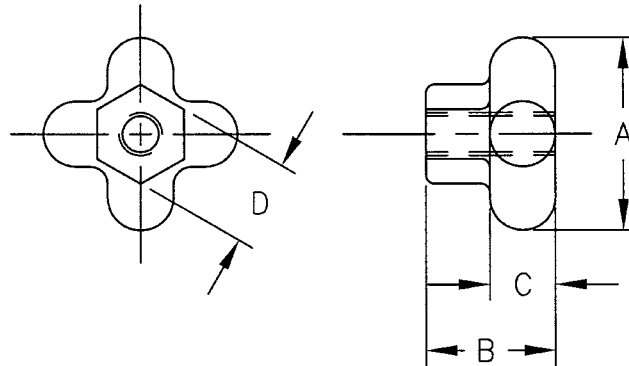
### Bottom Mount

Part No.	A	B	C	D	E
<b>71178</b>	1.02	4.41	M8	1.93	.47
<b>71179</b>	1.02	4.61	M8	2.09	.47
<b>71180</b>	1.02	5.04	M8	2.16	.47
<b>71181</b>	1.02	6.30	M8	2.24	.47
<b>71182</b>	1.02	7.05	M8	2.24	15

### Top Mount

Part No.	A	B	C	D	E
<b>71183</b>	1.02	4.57	.256	2.08	.67
<b>71184</b>	1.02	5.20	.256	2.08	.67
<b>71185</b>	1.02	6.46	.256	2.24	.67
<b>71186</b>	1.02	7.71	.256	2.24	.67

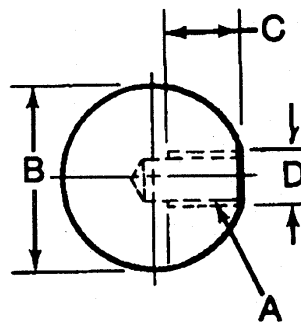
## Cast Aluminum Hand Knobs



- Many sizes conform to TCMAI standards
- Available tapped through, blank, or tapped part way through
- Blank knob includes a cast center which eliminates center drilling
- Use as a handle or clamping knob

Part No.	A	B	C	D	Thread No. 1	Thread No. 2	Thread Depth	Weight (lbs/100pcs)
43305	1-1/8	3/4	3/8	1/2	1/4-20	-	Thru	3
43307	1-1/8	3/4	3/8	1/2	-	-	Blank	4
43308	1-1/8	3/4	3/8	1/2	-	1/4-20	3/8	3
43309	1-1/2	7/8	3/8	19/32	5/16-18	-	Thru	4
43311	1-1/2	7/8	3/8	19/32	-	-	Blank	5
43312	1-1/2	7/8	3/8	19/32	-	5/16-18	7/16	4
43313	2	1	3/8	11/16	3/8-16	-	Thru	6
43315	2	1	3/8	11/16	-	-	Blank	8
43316	2	1	3/8	11/16	-	3/8-16	1/2	6
43317	2-1/2	1-1/2	1/2	1-1/16	1/2-13	-	Thru	16
43319	2-1/2	1-1/2	1/2	1-1/16	-	-	Blank	19
43320	2-1/2	1-1/2	1/2	1-1/16	-	1/2-13	3/4	16
43325	3	1-3/4	5/8	1-1/4	3/4-10	-	Thru	26
43327	3	1-3/4	5/8	1-1/4	-	-	Blank	33

## Plastic Ball Knobs



- Material: Black Plastic
- Lightweight, plastic construction keeps ball rust free
- Blank knob includes a cast center, which eliminates center drilling

Part No.	Thread A	B	C	D	Brass Insert	Weight (lbs/100pcs)
43601	10-32	3/4	5/16	3/8	YES	2
43602	1/4-20	1	7/16	1/2	YES	4
43603	1/4-28	1	7/16	1/2	YES	4
43604	5/16-18	1	7/16	1/2	YES	4
43605	5/16-24	1	7/16	1/2	YES	4
43606	3/8-16	1-3/8	1/2	5/8	YES	8
43607	3/8-24	1-3/8	1/2	5/8	YES	8
43608	1/2-13	1-3/8	5/8	5/8	YES	8
43609	1/2-20	1-3/8	5/8	5/8	YES	8
43612	1/2-13	1-7/8	5/8	3/4	YES	20
43613	1/2-20	1-7/8	5/8	3/4	YES	20
43614*	5/8-18	1-7/8	3/4	7/8	NO	20

\*Molded Threads