

KONTEC KSC3 and VERO-S NSL3



Maximize your skilled worker's time with efficient workholding

Learn how the VERO-S system has helped others with:

- Simplifying set-up
- Faster change-over
- Maximizing efficiency



Take advantage of the
NEW KONTEC / VERO-S
promotions
see inside for details

Please use promo code **KSC2025**
Promotion ends September 30, 2025

Hand in hand for tomorrow

AHB

TOOLING & MACHINERY

COMPLETE METALWORKING SOLUTIONS

(800) 991-4225

www.ahbinc.com

ISO Certified

customerservice@ahbinc.com



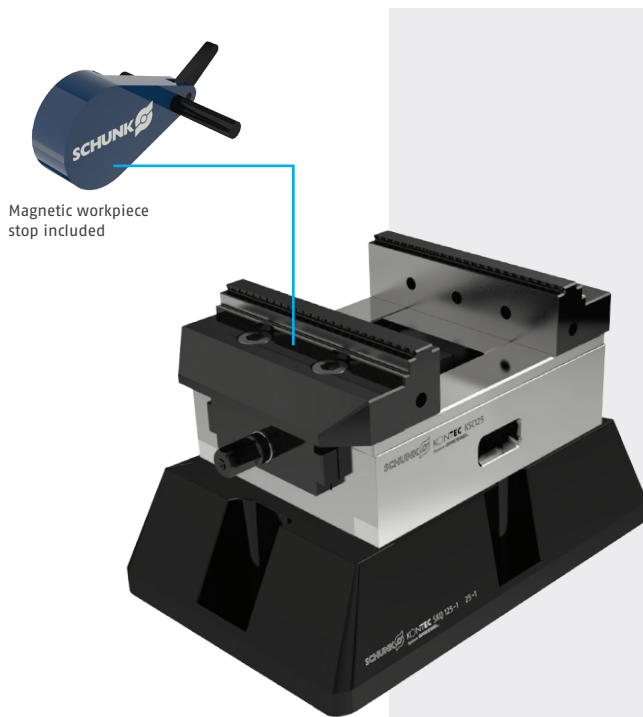
VERO-S The largest modular workholding system in the world

2 Great promotions to fit every shop

KONTEC KSC3 125-160 grip with riser

Experience the performance of SCHUNK workholding that bolts directly to your table

KSC3 Rigid and precise clamping



The most widely used self-centering vise

The KSC3 vise and riser simple and effective clamping that bolts to your t-slot table.

- Zero backlash, sealed ball-bearing spindle
- With reversible grip jaws
- Durable nickel-plated base body

Package Includes:

- (1) 1514238 KONTEC KSC3 Grip 125-160, (grip jaws included)
- (1) 1363520 5-axis riser

Promotion Price: \$2386
Part #: 1619042

VERO-S NSL3 200 & KONTEC KSC3 125-160 grip with riser

Maximize your skilled worker's time with efficient workholding

Indicate your workholding for the last time with VERO-S



The industries most trusted quick-change system

The VERO-S NSL3 200 is designed to mount directly to your t-slot table, and workholding already compatible with the VERO-S

- Air open spring clamp
- High-precision 0.005mm repeatability
- Sealed and corrosion free NSE3 138 modules

Package Includes:

- (1) 1514238 KONTEC KSC3 Grip 125-160, (grip jaws included), (1) 1363520 5-axis riser
- (1) 1323569 VERO-S NSL3 200, Including clamping pins (1) 471151 SPA40, (1) 471152 SPB40

Promotion Price: \$5847
Part #: 1619043



US Headquarters
211 Kitty Hawk Drive
Morrisville, NC 27560

Houston Tech &
Service Center
10757 Cutten Road
Building 6
Houston, TX 77066

Follow us



COMPLETE METALWORKING SOLUTIONS

(800) 991-4225

www.ahbinc.com

ISO Certified

customerservice@ahbinc.com